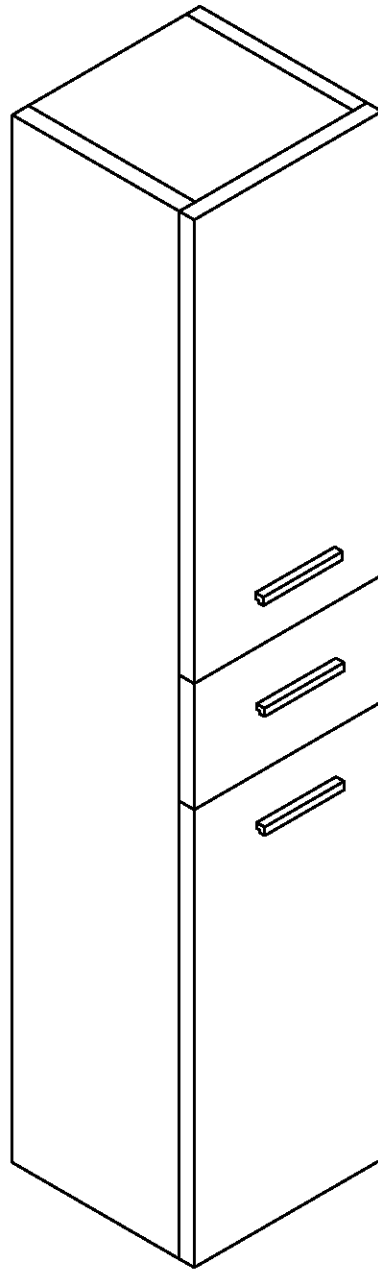
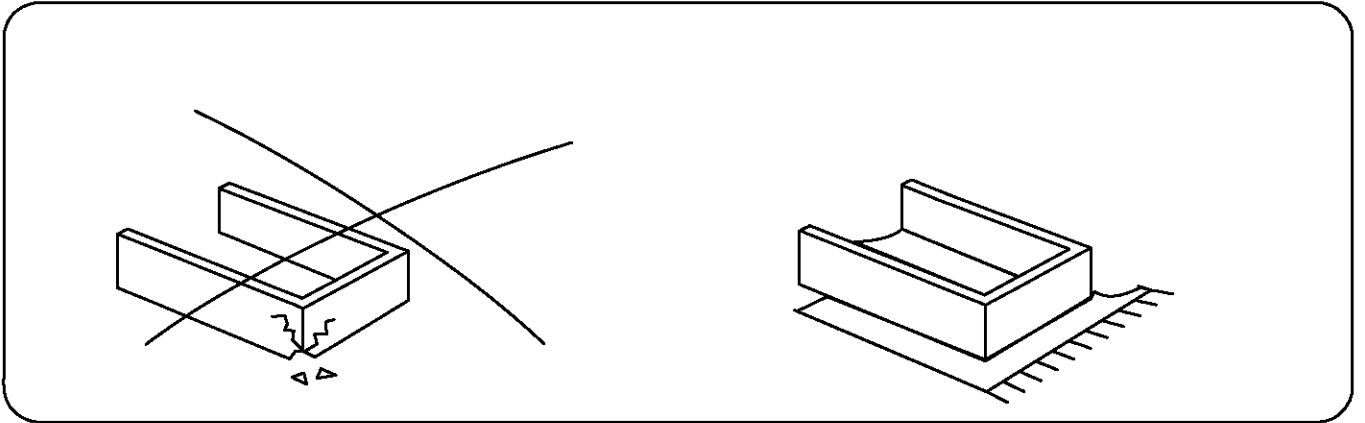
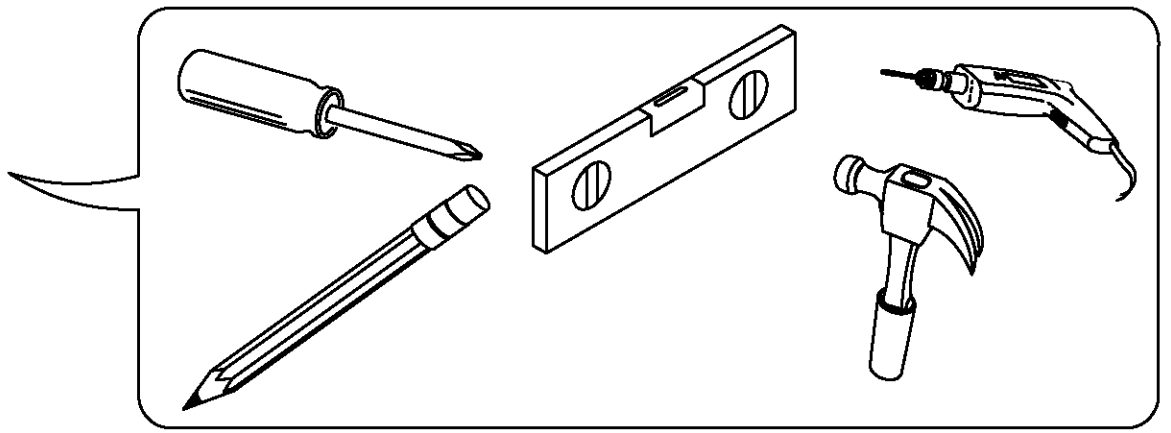
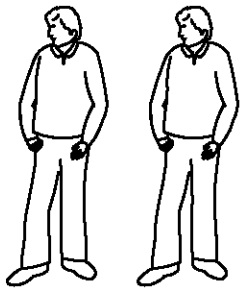


Pisa85



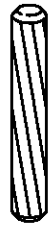


A



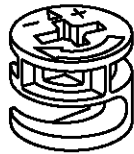
X28

B



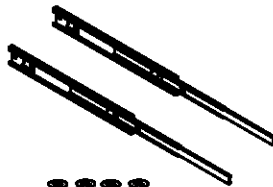
X24

C



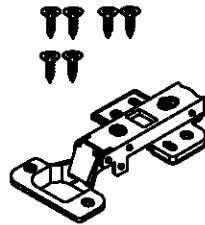
X28

D



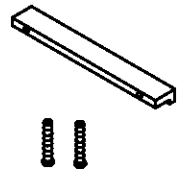
X1

F



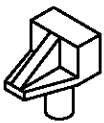
X4

G



X3

H

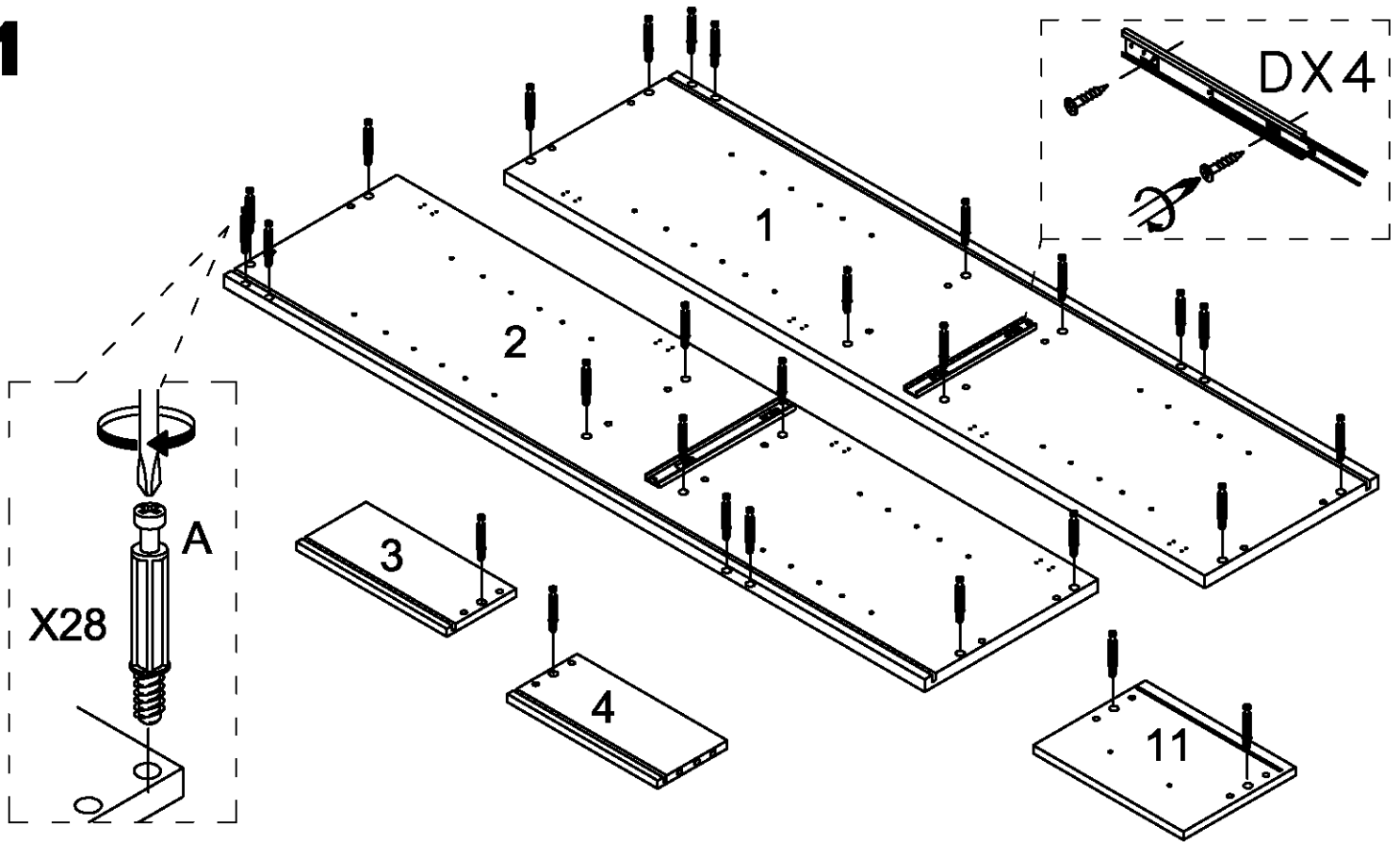
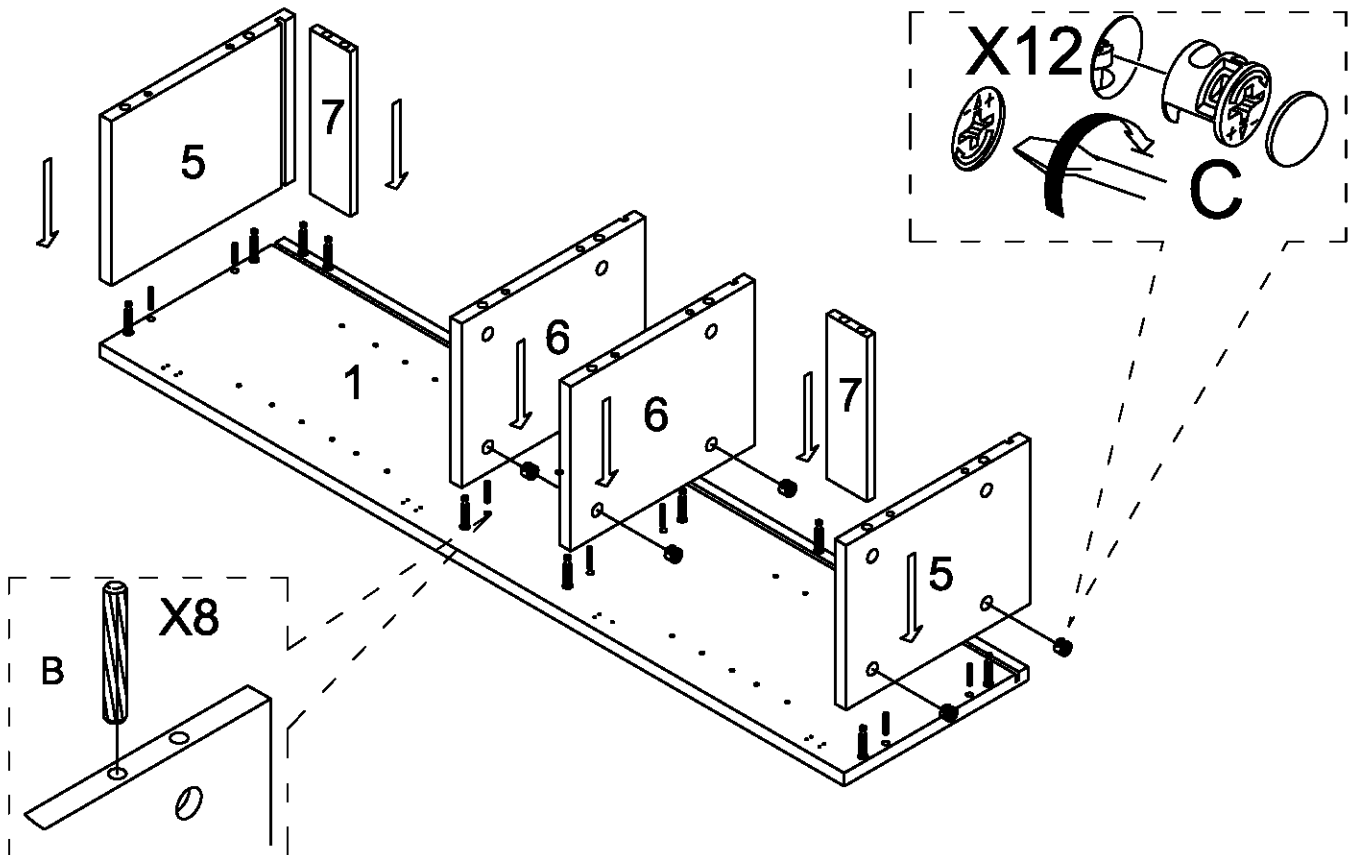


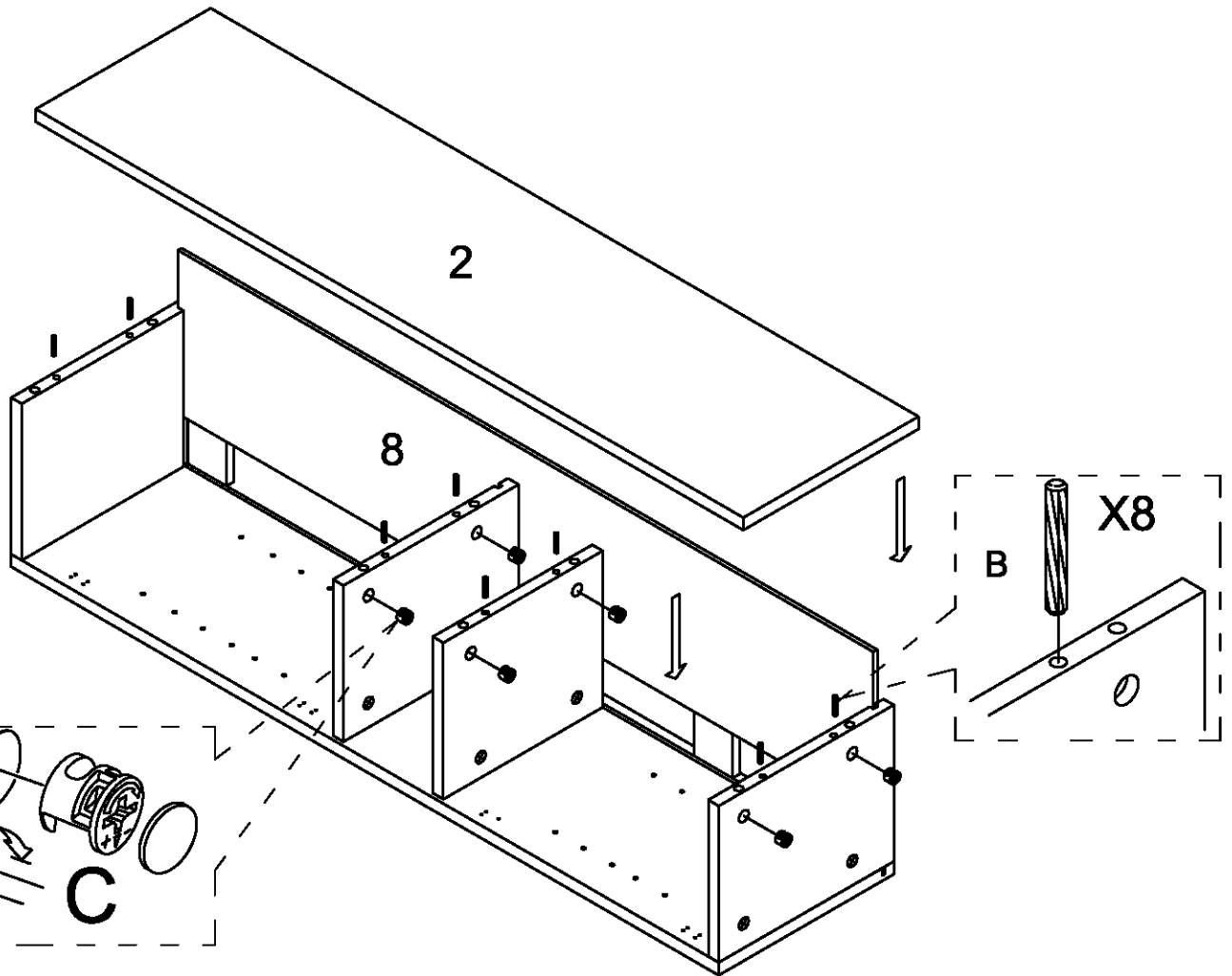
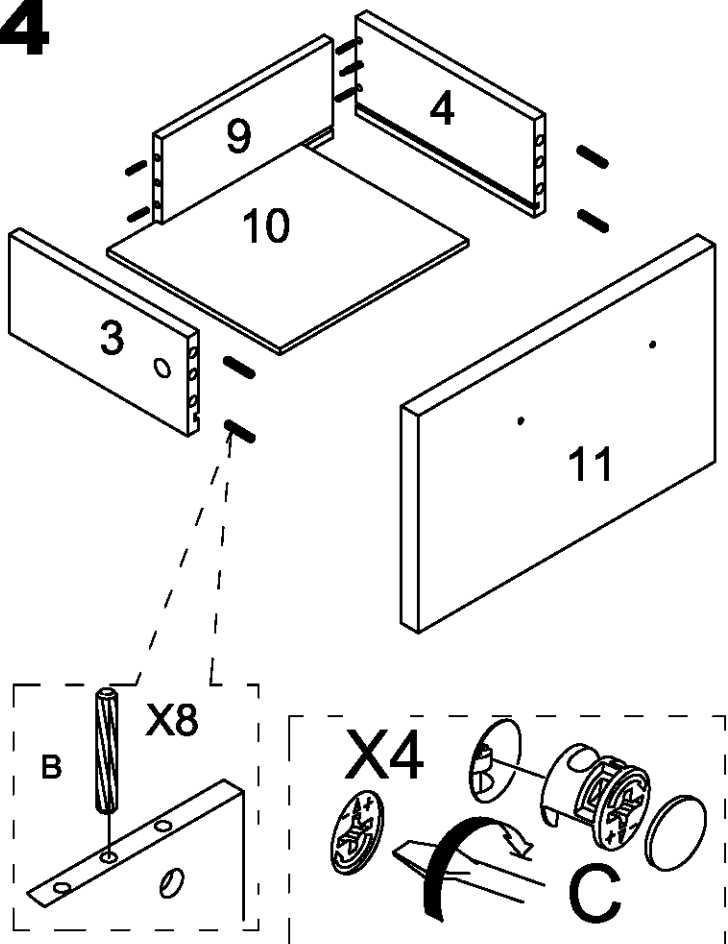
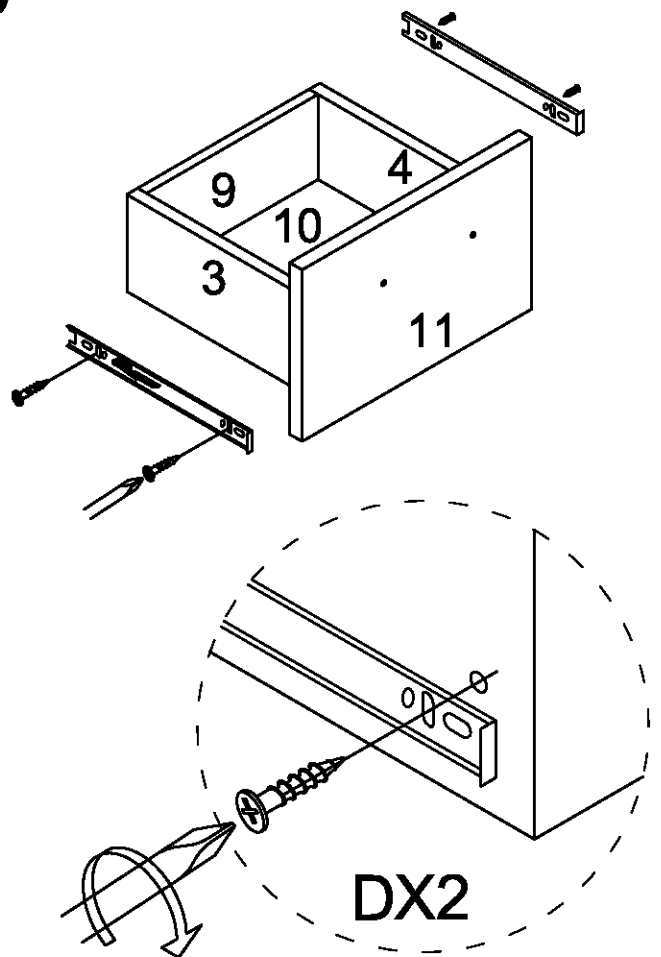
X8

K

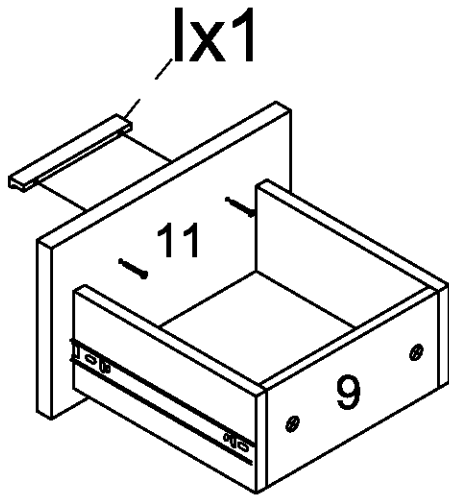


X4

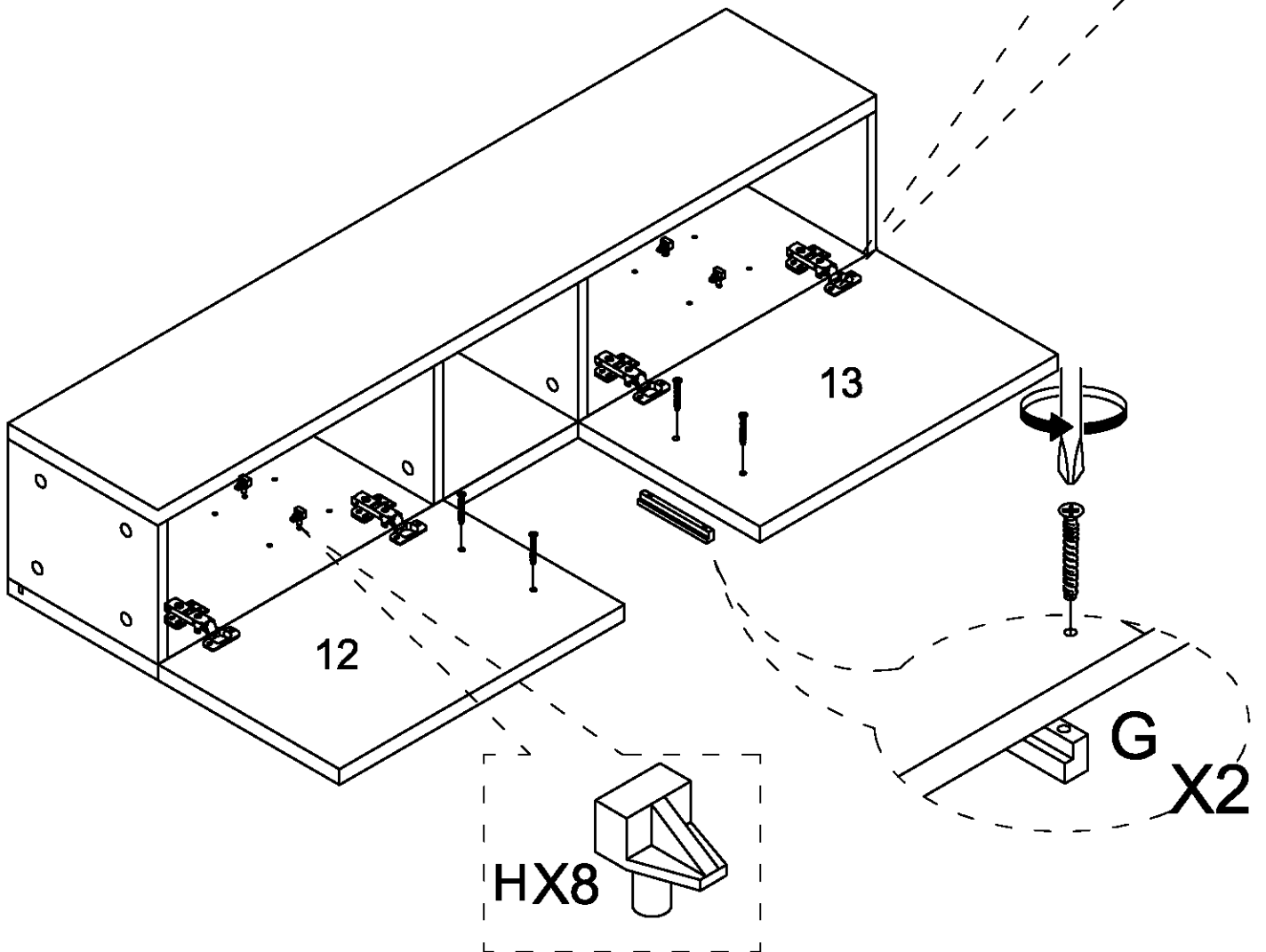
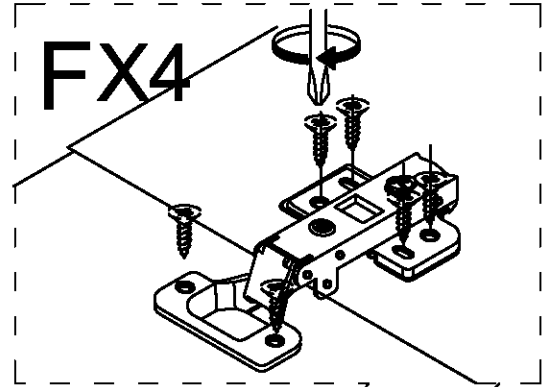
1**2****3**

3**4****5****4**

6

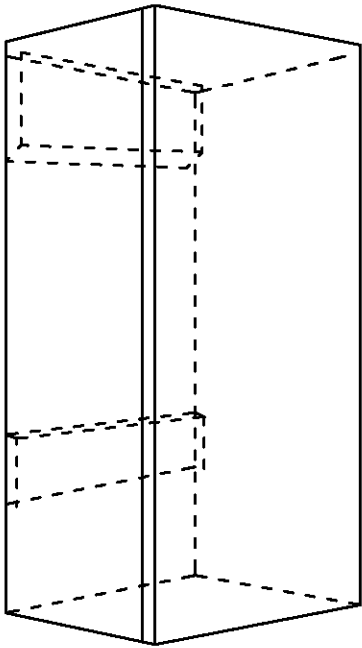


7

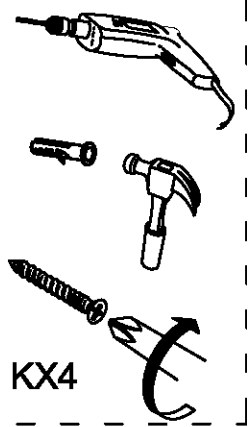
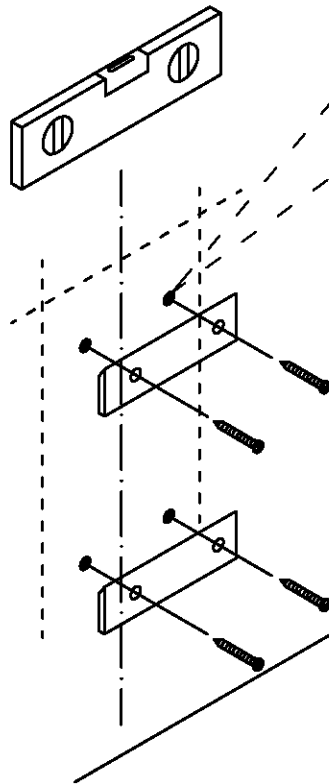


5

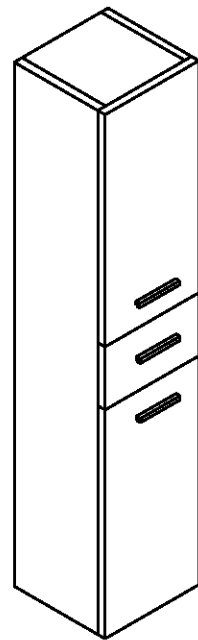
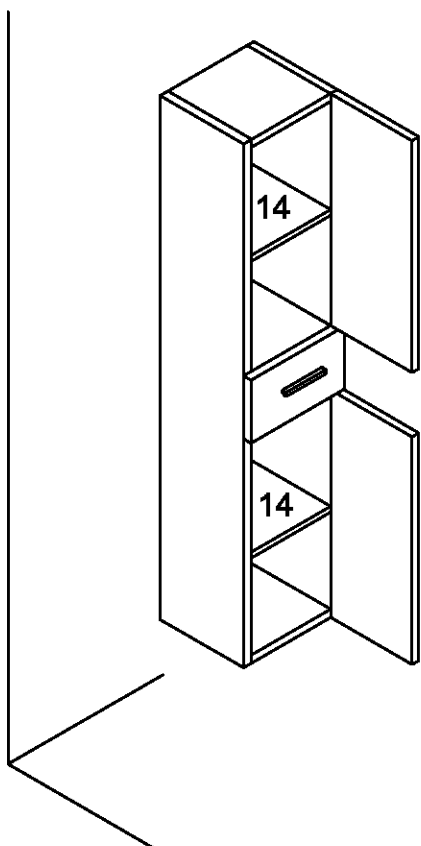
8



9



10



6