

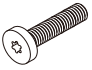



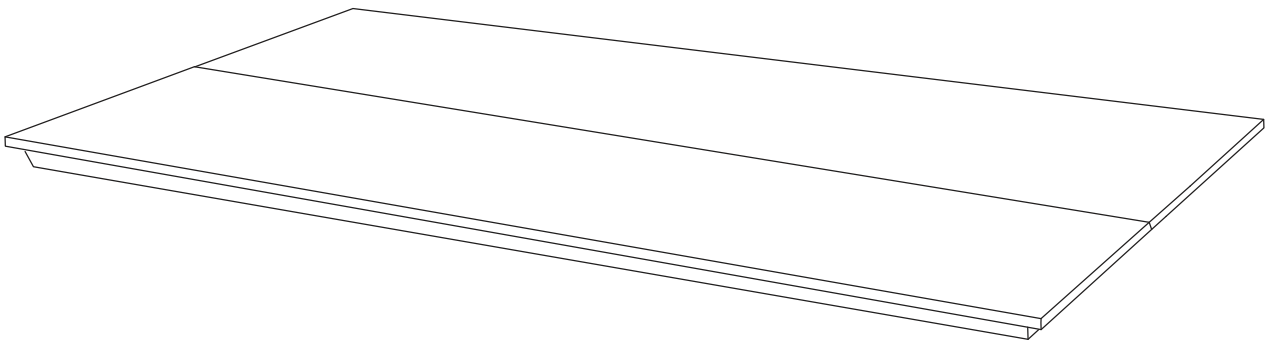
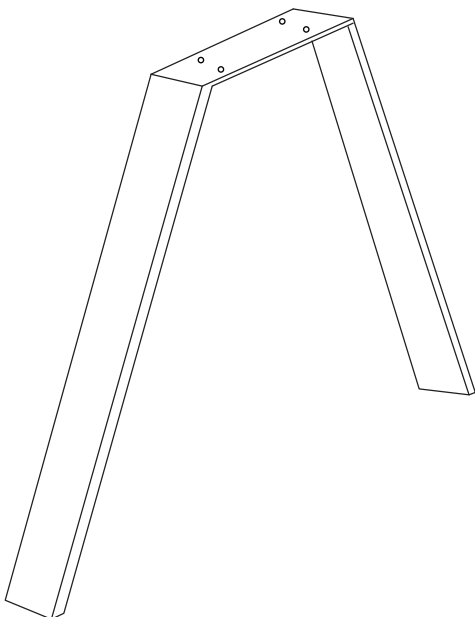


A  x4	B  M8 x8	C  φ8x35mm x8	D  φ6x20mm x8	E  M6 x8	F  φ5 x1
---	--	---	---	--	--

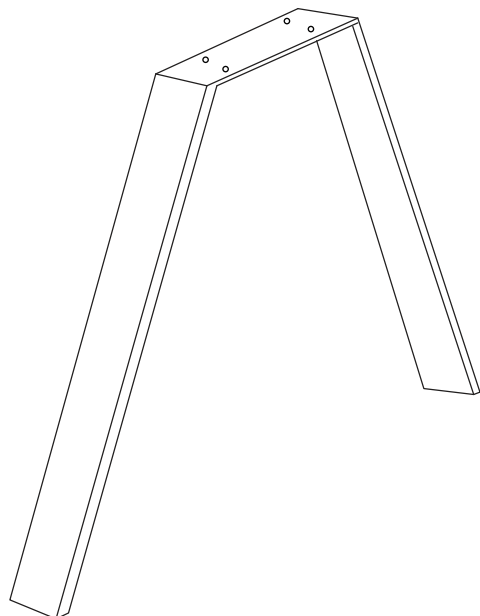
1



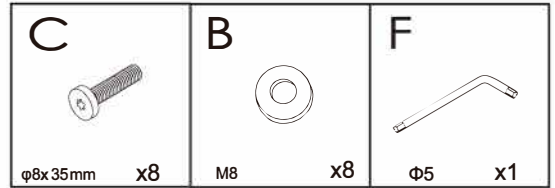
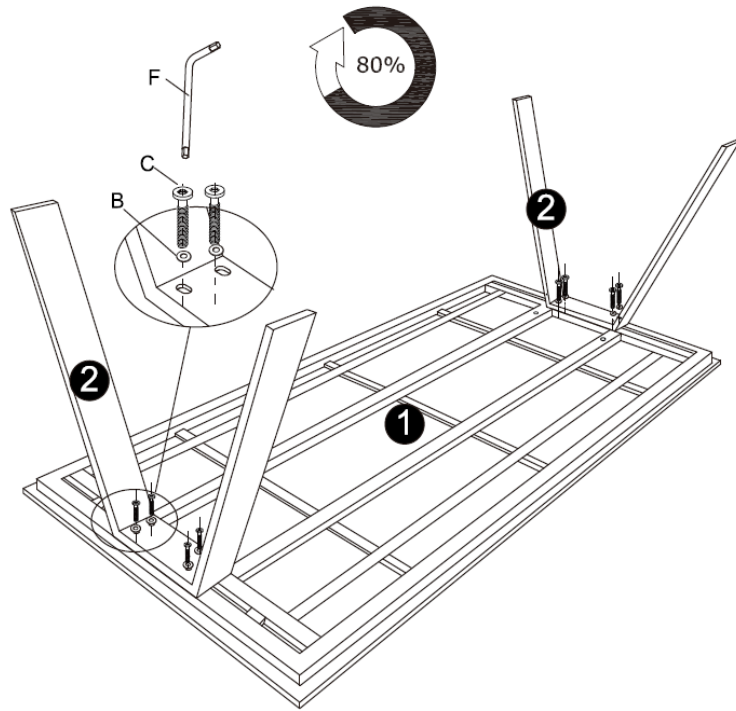
2



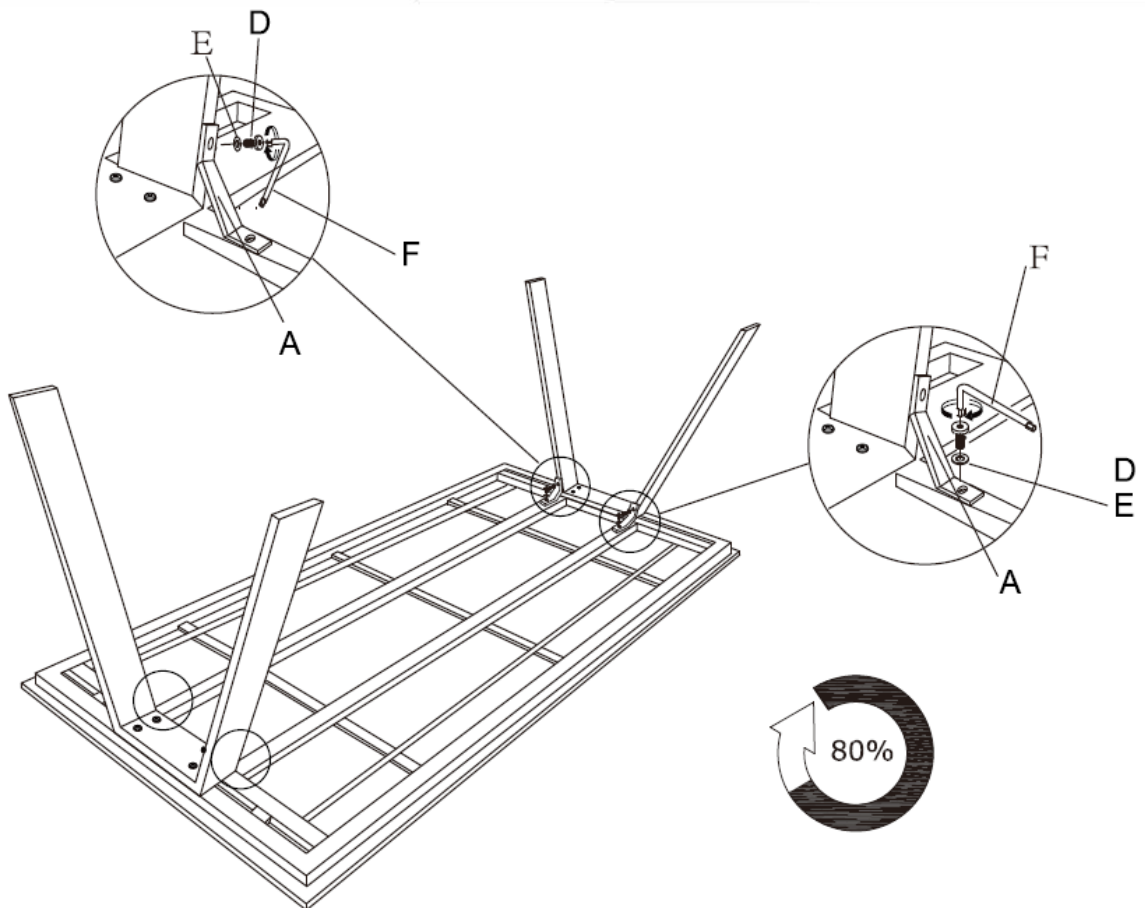
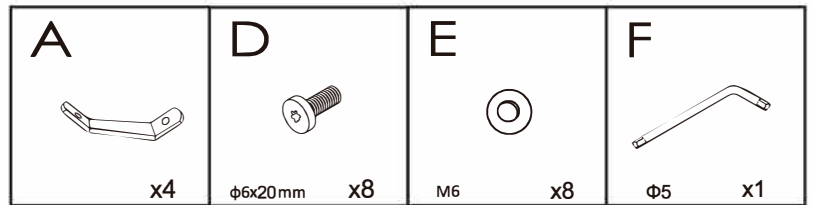
2



1



2



3

