

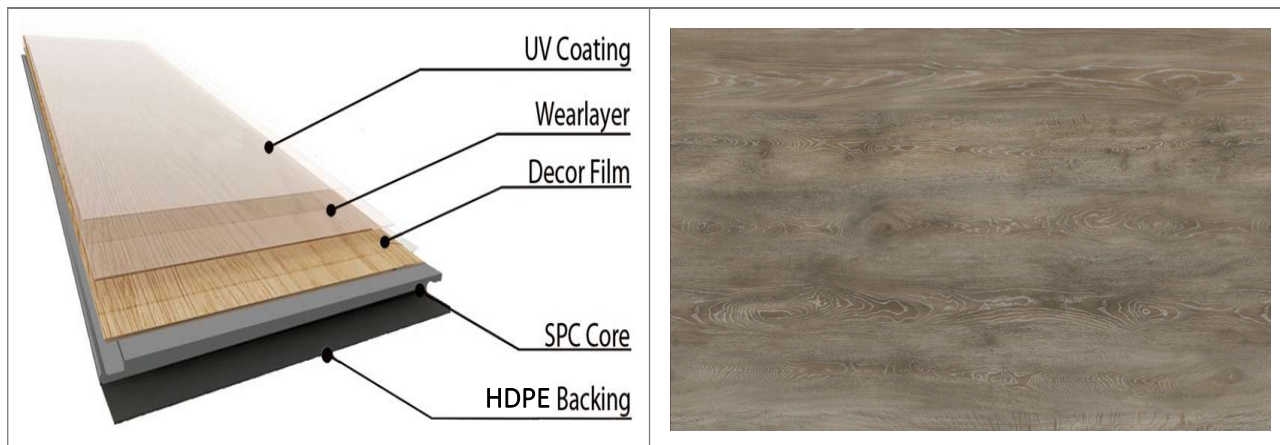
# PRODUCT DESCRIPTION

Moland engineered flooring.

Date: May 30<sup>th</sup>, 2023

Item number:	<b>10351266</b>
Product name:	<b>Bastion Grey Oak</b>

## Picture



Picture no. 1

Picture no. 2

## Product description

Appearance	Wood surface texture
Pattern of surface	1 strip, wide plank
Material	100% Virgin PVC, Calcium Carbonate, Plasticizer, Stabilizer, HDPE
Surface	Overall embossing
Finishing	UV Coating, gloss 6-8
Bevel	Four-sided Micro bevel
Density pr. m <sup>2</sup>	8.58 kg/m <sup>2</sup>
Hardness/ Class	34
Floor heating installation	Yes, max. 29° on surface

## Dimensions

Length	1828 mm	<input checked="" type="checkbox"/> Cleaning and maintenance instructions – <a href="http://www.moland.dk">www.moland.dk</a>
Width	220 mm	<input type="checkbox"/> Can be used for eco-label construction.
Thickness	5.2 mm	<input type="checkbox"/> FDV-documentation – <a href="http://www.moland.dk">www.moland.dk</a>
Top layer	0.55 mm	<input type="checkbox"/> FSC <input type="checkbox"/> PEFC <input checked="" type="checkbox"/> REACH SVHC 191

# PRODUCT DESCRIPTION

Moland engineered flooring.



Date: May 30<sup>th</sup>, 2023

## Technical specification

Dimension	5.2x220x1828 mm	Delamination	Not allowed
Top layer	0.55 mm	Torn grain	Not allowed
Middle layer	4.2 mm	Colour on bevel and surface	Homogeneous expression
Bottom layer	1 mm	Pressure marks	Not allowed
Locking method end	I4F - DL100	Product marking	CE, EPD
Locking method longside	I4F - DL100	Boards per packet/ m <sup>2</sup>	6 boards = 2.413 m <sup>2</sup>
Fire class	B <sub>fl</sub> - s1	Packet per pallet/ m <sup>2</sup>	48 packets = 115.822 m <sup>2</sup>
Formaldehyde content	E1	Noise reduction with HDPE	20 dB
Thermal conductivity	0.102 W/mk		

## Production tolerance

Moisture content	-
Height difference	≤ 0.10 mm
Width	± 0.10 mm
Length	± 0.30 mm
Squareness	± 0.10 mm
Crosswise bending	± 0.15%
Longitudinal bending	± 0.50%
Spring across the element	≤ 0.1% over the length

## Other data

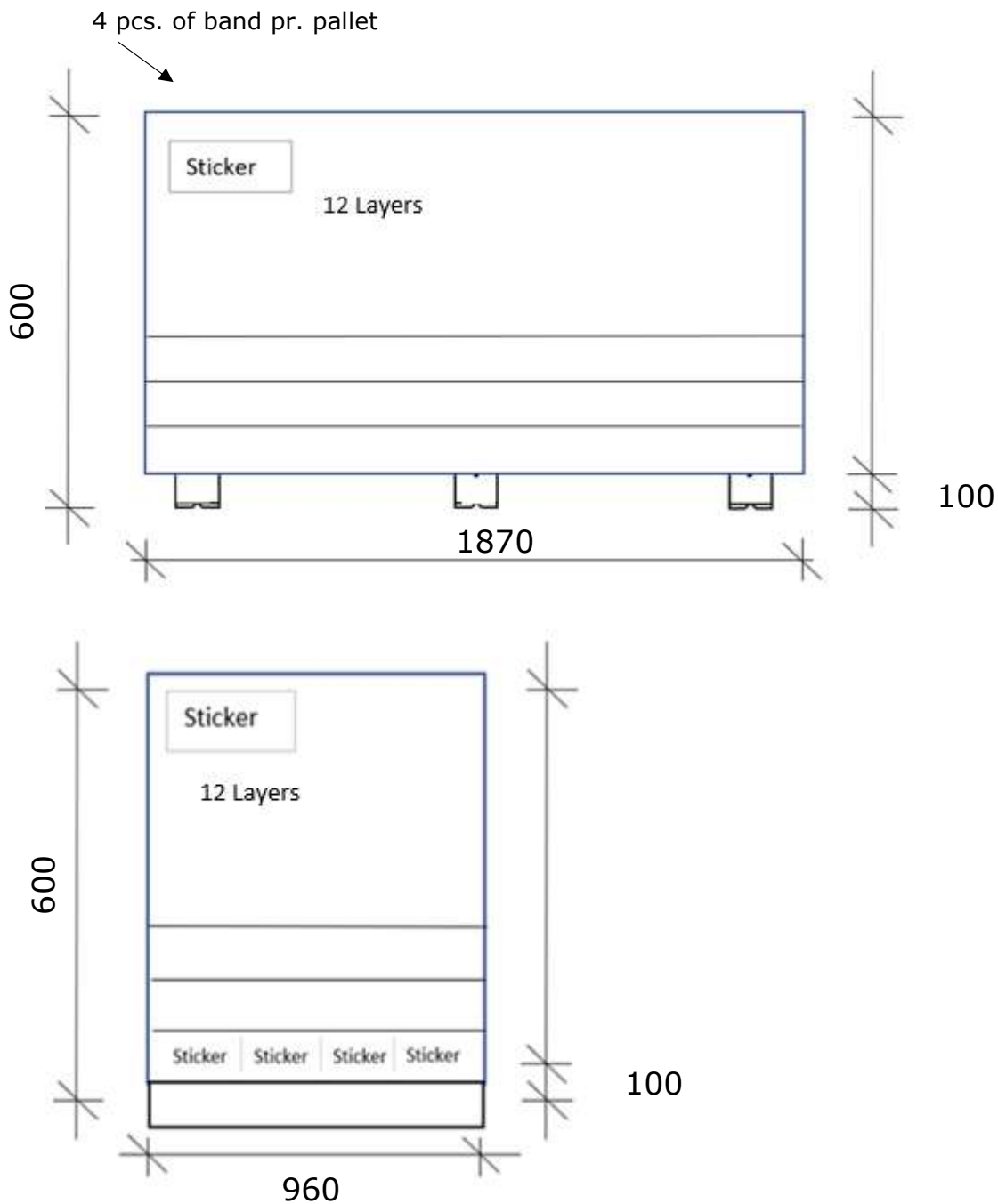
Maximum installation area	125 m <sup>2</sup> for private homes, up to 1000m <sup>2</sup> in one square (33x33m).	
Ortho-Phthalates	Norms: US EPA 3550c:2007	Result: Phthalate-free
SVOC	Norms: EN ISO 14041:2014	Result: ND
Light Fastness	Norms: EN ISO 105 B02	Result: ≥Grade 6
Abrasion Resistance	Norms: EN 13329, EN 16094	Result: ≥4,000 cycles MSR-A2 /MSR-B1
Slip Resistance	Norms: DIN 51130	Result: R10
Residual Indentation	Norms: ISO 24343-1:2007	Result: ≤0.15mm
Resistance to Staining	Norms: EN ISO 26987:2012	Result: 0 (Not Affected / Unchanged)

# PRODUCT DESCRIPTION

Moland engineered flooring.

Date: May 30<sup>th</sup>, 2023

## Packing



## Pallets

Number of boards per pack	6 Boards
M <sup>2</sup> / pack	2.413 m <sup>2</sup>
Packs / pallet	48 Packs
Layer / pallet	12 Layer
M <sup>2</sup> / pallet	115.822 m <sup>2</sup>