

# SAFETY AND OPERATING MANUAL

## ORIGINAL INSTRUCTIONS

**20V Cordless Brushless  
Paint Sprayer**

**WX020  
WX020.X**

# TABLE OF CONTENTS

1. SAFETY INSTRUCTIONS
2. COMPONENT LIST
3. TECHNICAL DATA
4. NOISE INFORMATION
5. VIBRATION INFORMATION
6. CONTROLS AND FUNCTIONS
7. INTENDED USE
8. OPERATING INSTRUCTIONS
9. NOZZLE AND PRESSURE SELECTION
10. CLEANING
11. STORAGE
12. TROUBLESHOOTING
13. DECLARATION OF CONFORMITY


## 1. SAFETY INSTRUCTIONS

### PRODUCT SAFETY

### GENERAL SAFETY

### WARNINGS

2

 **WARNING** Read all safety warnings, instructions, illustrations and specifications provided with this power tool. Failure to follow all instructions listed below may result in electric shock, fire and/or serious injury. Save all warnings and instructions for future reference.

The term "power tool" in the warnings refers to your mains-operated (corded) power tool or battery-operated (cordless) power tool.

#### 1) Work area safety

- a) **Keep work area clean and well lit.** Cluttered or dark areas invite accidents.
- b) **Do not operate power tools in explosive atmospheres, such as in the presence of flammable liquids, gases or dust.** Power tools create sparks which may ignite the dust or fumes.
- c) **Keep children and bystanders away while operating a power tool.** Distractions can cause you to lose control.

#### 2) Electrical safety

- a) **Power tool plugs must match the outlet. Never modify the plug in any way. Do not use any adapter plugs with earthed (grounded) power tools.** Unmodified plugs and matching outlets will reduce risk of electric shock.
- b) **Avoid body contact with earthed or grounded surfaces, such as pipes, radiators, ranges**

**and refrigerators.** There is an increased risk of electric shock if your body is earthed or grounded.

- c) **Do not expose power tools to rain or wet conditions.** Water entering a power tool will increase the risk of electric shock.
- d) **Do not abuse the cord. Never use the cord for carrying, pulling or unplugging the power tool. Keep cord away from heat, oil, sharp edges or moving parts.** Damaged or entangled cords increase the risk of electric shock.
- e) **When operating a power tool outdoors, use an extension cord suitable for outdoor use.** Use of a cord suitable for outdoor use reduces the risk of electric shock.
- f) **If operating a power tool in a damp location is unavoidable, use a residual current device (RCD) protected supply.** Use of an RCD reduces the risk of electric shock.

#### 3) Personal safety

- a) **Stay alert, watch what you are doing and use common sense when operating a power tool. Do not use a power tool while you are tired or under the influence of drugs, alcohol or medication.** A moment of inattention while operating power tools may result in serious personal injury.
- b) **Use personal protective equipment. Always wear eye protection.** Protective equipment such as dust mask, non-skid safety shoes, hard hat, or hearing protection used for appropriate conditions will reduce personal injuries.
- c) **Prevent unintentional starting. Ensure the switch is in the off-position before connecting to power source and/or battery pack, picking up or carrying the tool.** Carrying power tools with your finger on the switch or energising power tools that have the switch on invites accidents.
- d) **Remove any adjusting key or wrench before turning the power tool on.** A wrench or a key left attached to a rotating part of the power tool may result in personal injury.
- e) **Do not overreach. Keep proper footing and balance at all times.** This enables better control of the power tool in unexpected situations.
- f) **Dress properly. Do not wear loose clothing or jewellery. Keep your hair and clothing away from moving parts.** Loose clothes, jewellery or long hair can be caught in moving parts.
- g) **If devices are provided for the connection of dust extraction and collection facilities, ensure these are connected and properly used.** Use of dust collection can reduce dust-related hazards.
- h) **Do not let familiarity gained from frequent use of tools allow you to become complacent and ignore tool safety principles.** A careless action can cause severe injury within a fraction of a second.

**20V Cordless Brushless  
Paint Sprayer**

**WX020  
WX020.X**

- 4) **Power tool use and care**
- a) **Do not force the power tool. Use the correct power tool for your application.** *The correct power tool will do the job better and safer at the rate for which it was designed.*
- b) **Do not use the power tool if the switch does not turn it on and off.** *Any power tool that cannot be controlled with the switch is dangerous and must be repaired.*
- c) **Disconnect the plug from the power source and/or remove the battery pack, if detachable, from the power tool before making any adjustments, changing accessories, or storing power tools.** *Such preventive safety measures reduce the risk of starting the power tool accidentally.*
- d) **Store idle power tools out of the reach of children and do not allow persons unfamiliar with the power tool or these instructions to operate the power tool.** *Power tools are dangerous in the hands of untrained users.*
- e) **Maintain power tools and accessories. Check for misalignment or binding of moving parts, breakage of parts and any other condition that may affect the power tool's operation. If damaged, have the power tool repaired before use.** *Many accidents are caused by poorly maintained power tools.*
- f) **Keep cutting tools sharp and clean.** *Properly maintained cutting tools with sharp cutting edges are less likely to bind and are easier to control.*
- g) **Use the power tool, accessories and tool bits etc. in accordance with these instructions, taking into account the working conditions and the work to be performed.** *Use of the power tool for operations different from those intended could result in a hazardous situation.*
- h) **Keep handles and grasping surfaces dry, clean and free from oil and grease.** *Slippery handles and grasping surfaces do not allow for safe handling and control of the tool in unexpected situations.*
- 5) **Battery tool use and care**
- a) **Recharge only with the charger specified by the manufacturer.** *A charger that is suitable for one type of battery pack may create a risk of fire when used with another battery pack.*
- b) **Use power tools only with specifically designated battery packs.** *Use of any other battery packs may create a risk of injury and fire.*
- c) **When battery pack is not in use, keep it away from other metal objects, like paper clips, coins, keys, nails, screws or other small metal objects, that can make a connection from one terminal to another.** *Shorting the battery terminals together may cause burns or a fire.*
- d) **Under abusive conditions, liquid may be ejected from the battery; avoid contact. If contact accidentally occurs, flush with water. If liquid contacts eyes, additionally seek medical help.** *Liquid ejected from the battery may cause irritation or burns.*
- e) **Do not use a battery pack or tool that is damaged or modified.** *Damaged or modified batteries may exhibit unpredictable behaviour resulting in fire, explosion or risk of injury.*
- f) **Do not expose a battery pack or tool to fire or excessive temperature.** *Exposure to fire or temperature above 130 °C may cause explosion.*
- g) **Follow all charging instructions and do not charge the battery pack or tool outside the temperature range specified in the instructions.** *Charging improperly or at temperatures outside the specified range may damage the battery and increase the risk of fire.*
- 6) **Service**
- a) **Have your power tool serviced by a qualified repair person using only identical replacement parts.** *This will ensure that the safety of the power tool is maintained.*
- b) **Never service damaged battery packs.** *Service of battery packs should only be performed by the manufacturer or authorized service providers.*












## SPRAY GUN SAFETY WARNINGS

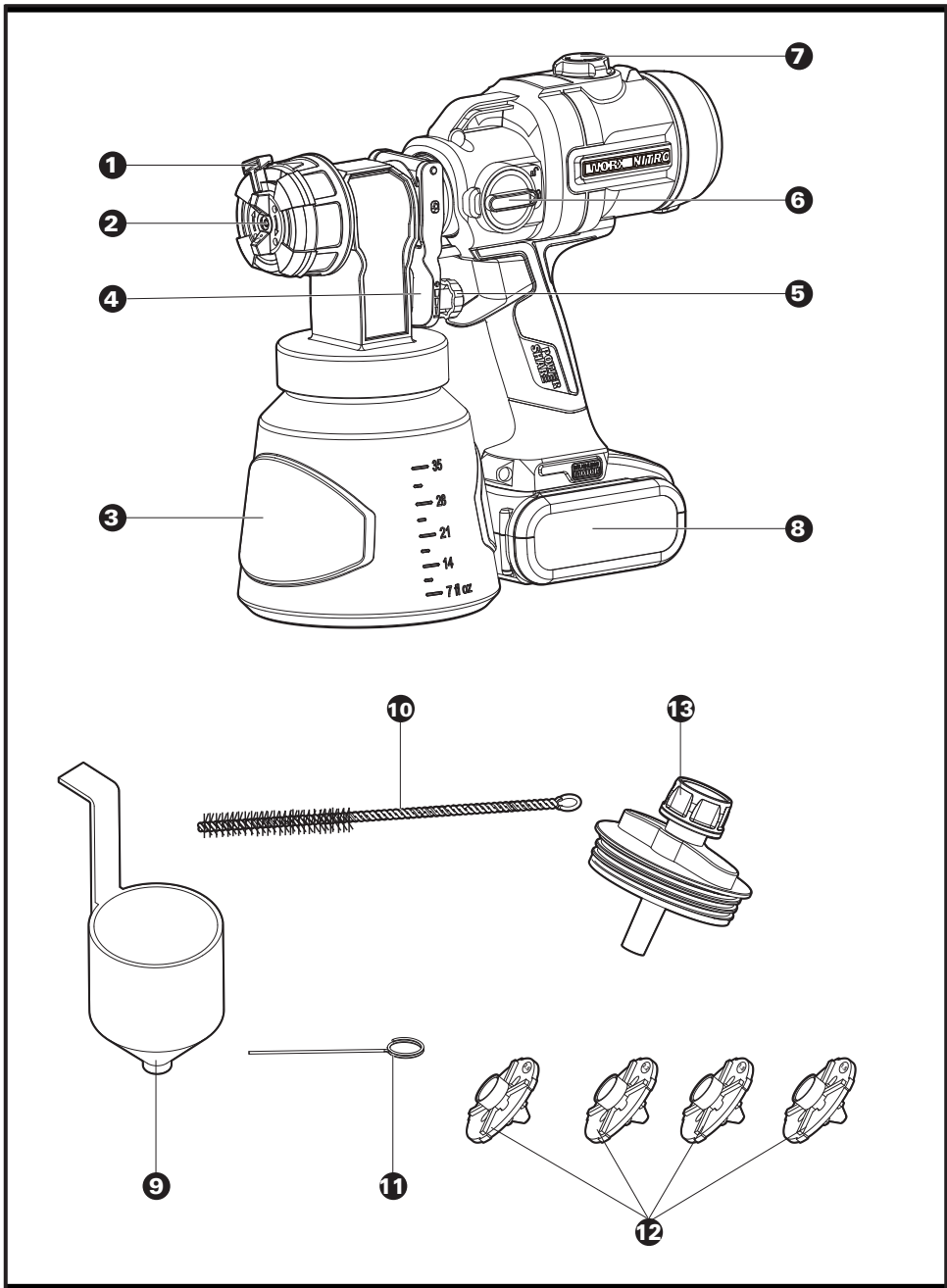
1. **Know your sprayer.** *Read and understand the operator's manual and observe the warnings and instruction labels affixed to the tool.*
2. **Do not use commercial grade chemicals or chemicals for commercial or industrial purposes.** *Use only consumer grade water-based lawn and garden chemicals.*
3. **Do not pour hot or boiling liquids into the tank.** *These can weaken or damage the hose or tank.*
4. **Do not use caustic (alkali) self-heating or corrosive (acid) liquids in this sprayer.** *These can corrode metal parts or weaken the tank and hose.*
5. **Know the contents of the chemical being sprayed. Read all Material Safety Data Sheets (MSDS) and container labels provided with the chemical.** *Follow the chemical manufacturer's safety instructions.*
6. **Do not attempt to modify this product or create accessories not recommended for use with this product.** *Any such alteration or modification is misuse and could result in a hazardous condition leading to possible serious personal injury.*
7. **Do not spray flammable material and any material where the hazard is not known.**

# SAFETY WARNINGS FOR BATTERY PACK

- a) Do not dismantle, open or shred cells or battery pack.
- b) Do not short-circuit a battery pack. Do not store battery packs haphazardly in a box or drawer where they may short-circuit each other or be short-circuited by conductive materials. When battery pack is not in use, keep it away from other metal objects, like paper clips, coins, keys, nails, screws or other small metal objects, that can make a connection from one terminal to another. Shorting the battery terminals together may cause burns or a fire.
- c) Do not expose battery pack to heat or fire. Avoid storage in direct sunlight.
- d) Do not subject battery pack to mechanical shock.
- e) In the event of battery leaking, do not allow the liquid to come into contact with the skin or eyes. If contact has been made, wash the affected area with copious amounts of water and seek medical advice.
- f) Keep battery pack clean and dry.
- g) Wipe the battery pack terminals with a clean dry cloth if they become dirty.
- h) Battery pack needs to be charged before use. Always refer to this instruction and use the correct charging procedure.
- i) Do not maintain battery pack on charge when not in use.
- j) After extended periods of storage, it may be necessary to charge and discharge the battery pack several times to obtain maximum performance.
- k) Recharge only with the charger specified by Worx. Do not use any charger other than that specifically provided for use with the equipment.
- l) Do not use any battery pack which is not designed for use with the equipment.
- m) Keep battery pack out of the reach of children.
- n) Retain the original product literature for future reference.
- o) Remove the battery from the equipment when not in use.
- p) Dispose of properly.
- q) Do not mix cells of different manufacture, capacity, size or type within a device.
- r) Keep the battery away from microwaves and high pressure.

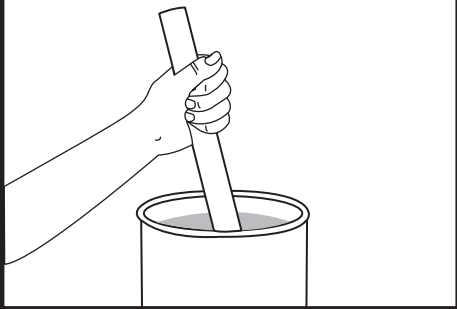
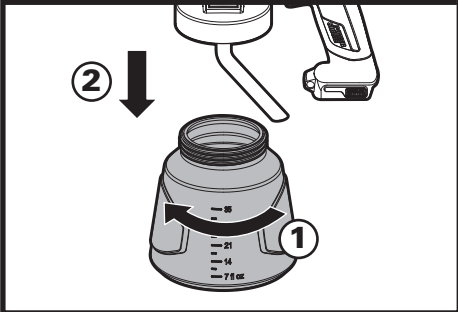
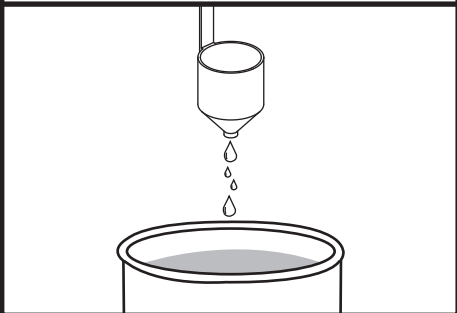
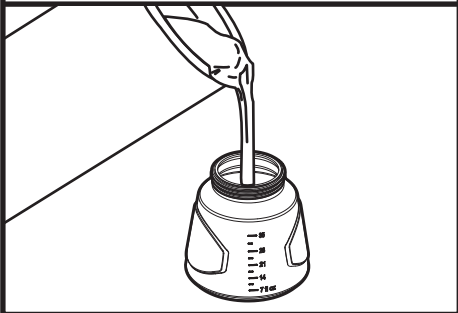
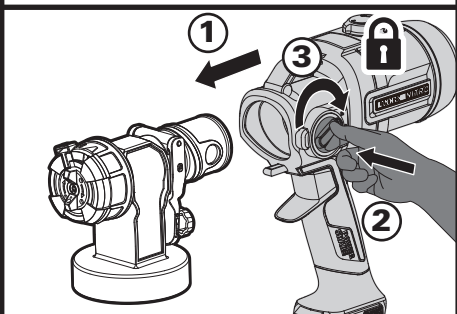
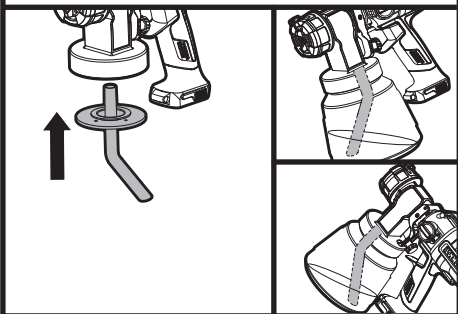
# SYMBOL

	To reduce the risk of injury, user must read instruction manual
	Warning
	Wear ear protection
	Wear eye protection
	Wear dust mask
	Batteries may enter water cycle if disposed improperly, which can be hazardous for ecosystem. Do not dispose of waste batteries as unsorted municipal waste.
	Do not burn
	Waste electrical products must not be disposed of with household waste. Please recycle where facilities exist. Check with your local authorities or retailer for recycling advice.
	Li-Ion battery. This product has been marked with a symbol relating to 'separate collection' for all battery packs and battery pack. It will then be recycled or dismantled in order to reduce the impact on the environment. Battery packs can be hazardous for the environment and for human health since they contain hazardous substances.
	Make sure the battery is removed prior to changing accessories.
	Wear protective gloves



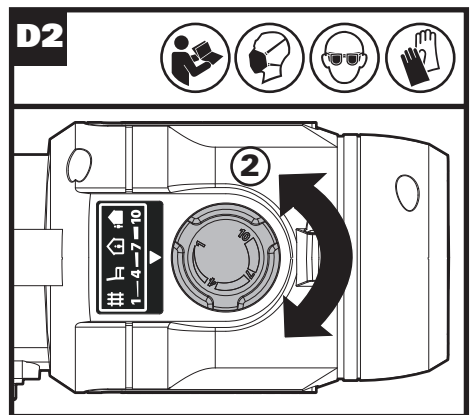
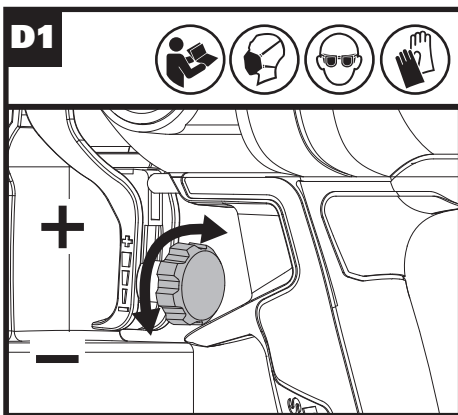
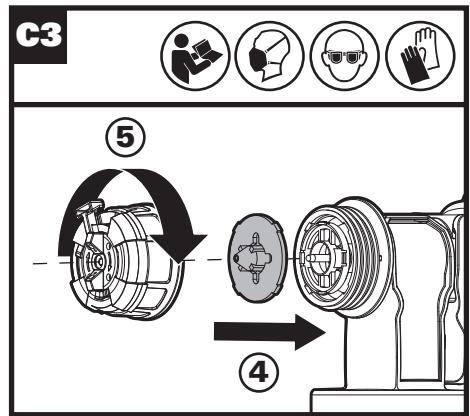
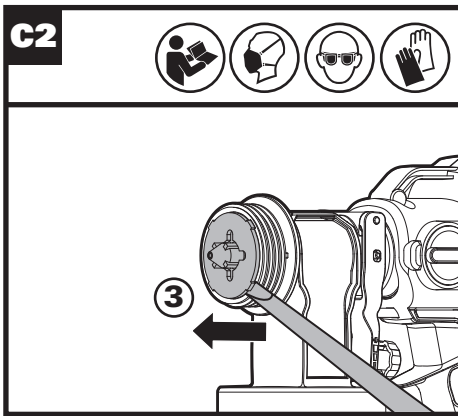
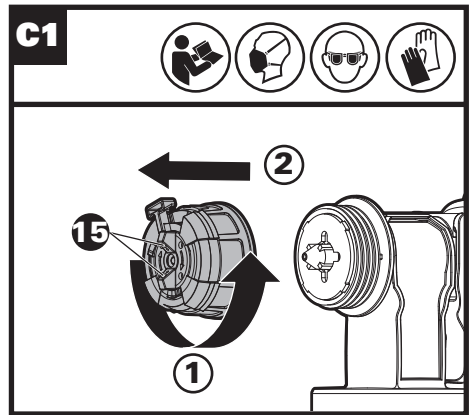
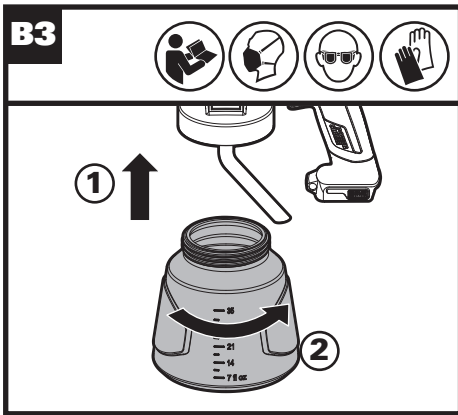
# 20V Cordless Brushless Paint Sprayer

# WX020 WX020.X

**A1****A2****A3****A4****B1****B2**

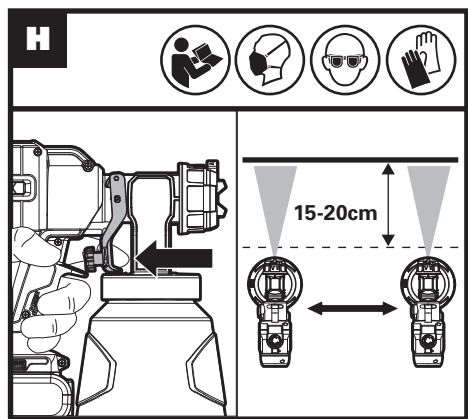
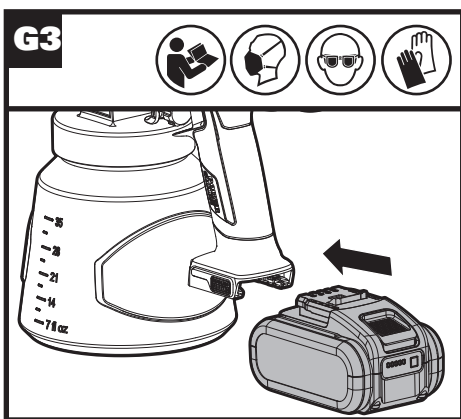
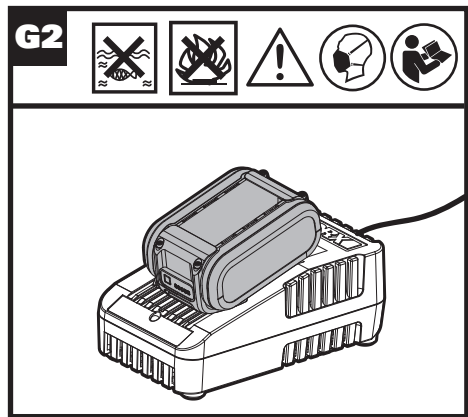
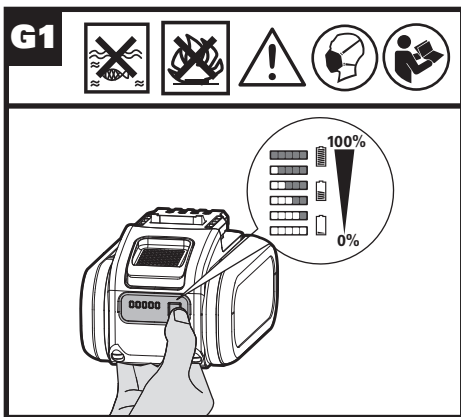
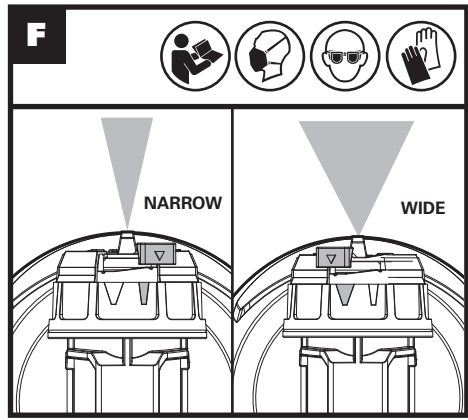
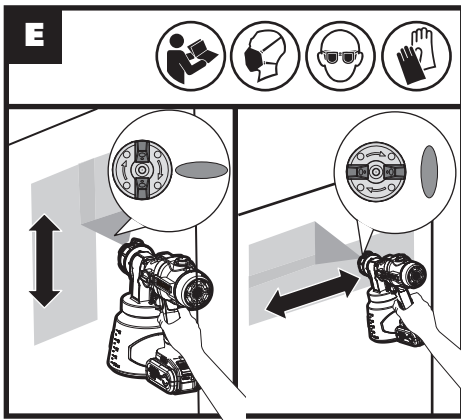
**20V Cordless Brushless  
Paint Sprayer**

**WX020  
WX020.X**



**20V Cordless Brushless  
Paint Sprayer**

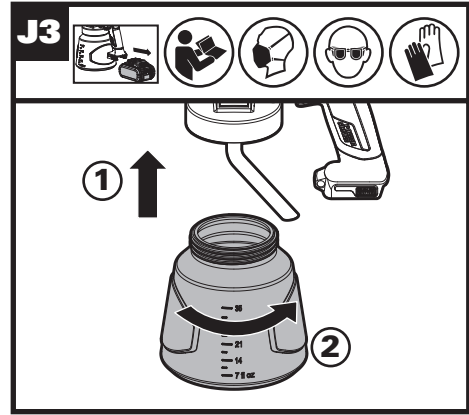
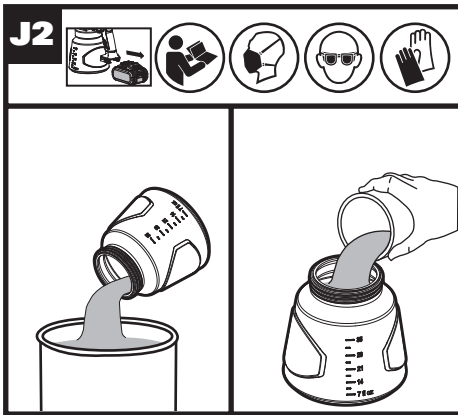
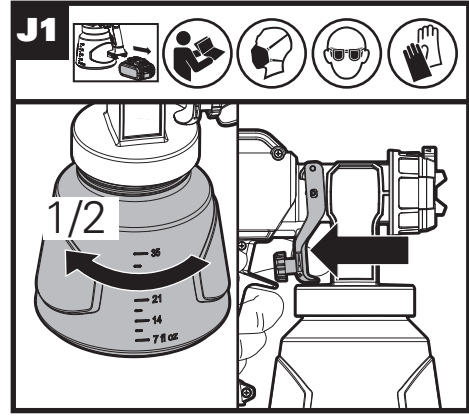
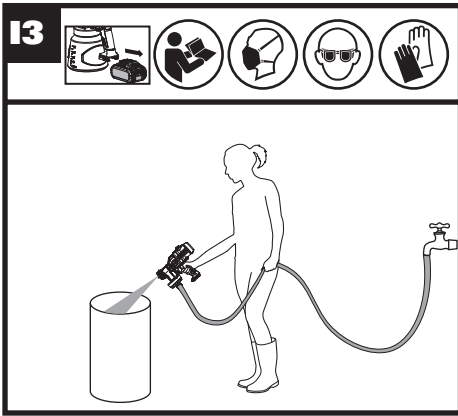
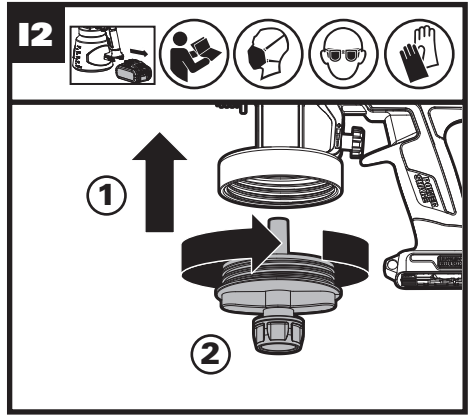
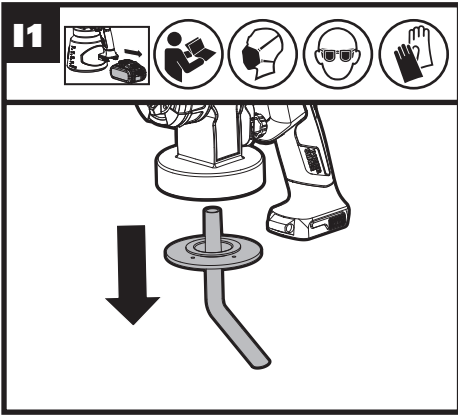
**WX020  
WX020.X**

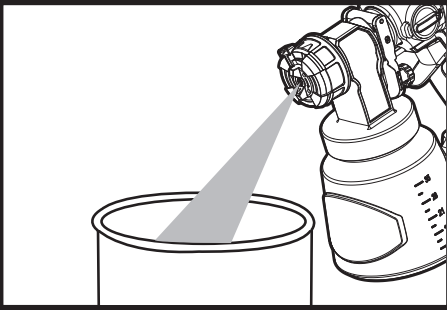
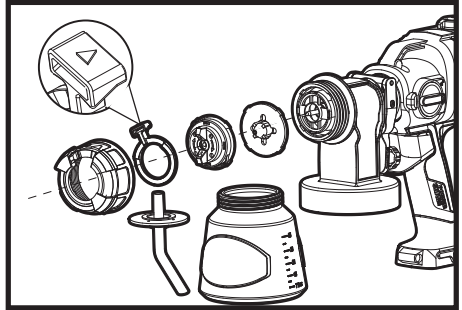
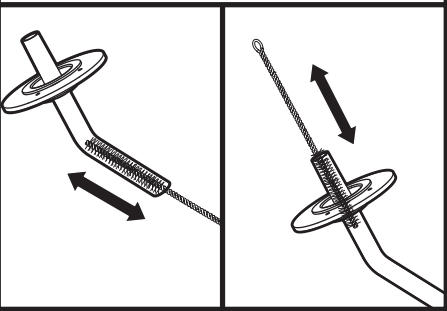
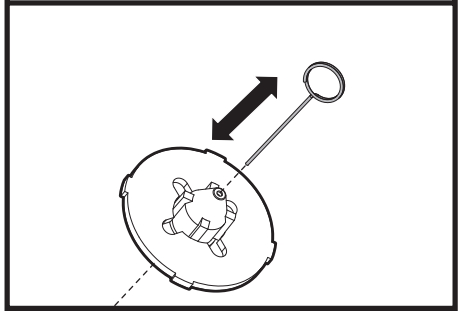


**20V Cordless Brushless  
Paint Sprayer**

**WX020  
WX020.X**





**J4****K1****K2****K3**

## 2. COMPONENT LIST

1.	SPRAY WIDTH LEVER
2.	AIR CAP
3.	LIQUID CONTAINER
4.	TRIGGER
5.	VOLUME KNOB
6.	LOCK ON/OFF DIAL
7.	AIR FLOW CONTROL
8.	BATTERY PACK*
9.	FILLING CUP
10.	WIRE BRUSH
11.	DECLOGGING NEEDLE
12.	NOZZLE*
13.	GARDEN HOSE ADAPTER
14.	AIR CAP EAR(SEE FIG. C1)

\*Not all the accessories illustrated or described are included in standard delivery.

## 3. TECHNICAL DATA

**Type Designation** WX020 WX020.X  
(020-designation of machinery, representative of battery operated Paint Sprayer)

	WX020 WX020.X**
Rated voltage	20 V $\approx$ Max***
Maximum pressure	20 KPa
Color viscosity	300 Din-s
Spray color volume	1000 g/min(2.6mm nozzle)
Volume of the container	1000 ml
Machine weight (bare tool)	0.98 kg

\*\* X=1-999, A-Z, M1-M9 there are only used for different customers, there are no safe relevant changes between these models.

\*\*\* Voltage measured without workload. Initial battery voltage reaches maximum of 20 volts. Nominal voltage is 18 volts.

## SUGGESTED BATTERIES AND CHARGERS

Category	Type	Capacity
20V Battery	WA3014	4.0 Ah
20V Charger	WA3880	2.0 A

We recommend that you purchase your accessories from the same store that sold you the tool. Refer to the accessory packaging for further details. Store personnel can assist you and offer advice.

## 4. NOISE INFORMATION

A weighted sound pressure  $L_{PA}$ : 74,6 dB(A)

A weighted sound power  $L_{WA}$ : 85,6 dB(A)

$K_{PA}$  &  $K_{WA}$ : 3 dB(A)

Wear ear protection.



## 5. VIBRATION INFORMATION

Vibration emission value:  $a_n = 1,669 \text{ m/s}^2$

Uncertainty  $K = 1.5 \text{ m/s}^2$

The declared vibration total value and the declared noise emission value have been measured in accordance with a standard test method and may be used for comparing one tool with another. The declared vibration total value and the declared noise emission value may also be used in a preliminary assessment of exposure.

**WARNING:** The vibration and noise emissions during actual use of the power tool can differ from the declared value depending on the ways in which the tool is used especially what kind of workpiece is processed dependant on the following examples and other variations on how the tool is used:

How the tool is used and the materials being cut or drilled.

The tool being in good condition and well maintained.

The use of the correct accessory for the tool and ensuring it is sharp and in good condition.

The tightness of the grip on the handles and if any anti vibration and noise accessories are used.

And the tool is being used as intended by its design and these instructions.

**This tool may cause hand-arm vibration syndrome**

**20V Cordless Brushless  
Paint Sprayer**

**WX020  
WX020.X**

**if its use is not adequately managed.**

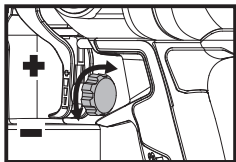
**WARNING:** To be accurate, an estimation of exposure level in the actual conditions of use should also take account of all parts of the operating cycle such as the times when the tool is switched off and when it is running idle but not actually doing the job. This may significantly reduce the exposure level over the total working period. Helping to minimise your vibration and noise exposure risk.

Always use sharp chisels, drills and blades. Maintain this tool in accordance with these instructions and keep well lubricated (where appropriate).

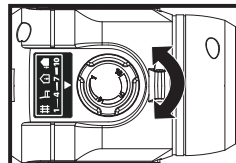
If the tool is to be used regularly then invest in anti vibration and noise accessories.

Plan your work schedule to spread any high vibration tool use across a number of days.

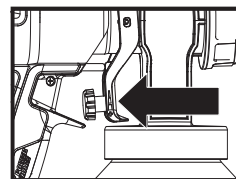
## 6. CONTROLS AND FUNCTIONS



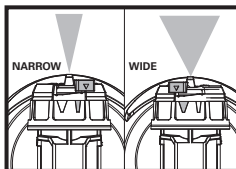
**Volume knob**  
Set the liquid flow by turning the volume knob on the trigger of the sprayer



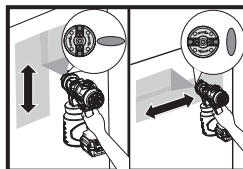
**Air flow control**  
The air flow can be adjusted from 1-10 by turning the air flow control.



**Trigger**  
Pull the trigger to deliver spray liquid from the liquid container to the nozzle assembly, where it is sprayed.



**Spray Width Lever**  
The spray width lever determines the width of the spray pattern.



**Air cap ear**  
Adjust the spray pattern by turning the air cap ears.  
Horizontal pattern ('up and down' spraying motion)  
Vertical pattern ('side to side' spraying motion)

## 7. INTENDED USE


Interior and exterior painting and staining of decks, outdoor furniture, fences, and walls

## 8. OPERATING INSTRUCTIONS

**NOTE:** Please read the instructions carefully before use.

### ASSEMBLY AND OPERATION

ACTION	FIGURE
<b>BEFORE OPERATION</b>	
<b>Liquid preparation</b> - Stir the spraying liquid thoroughly. - Unscrew the container . - Fill the liquid container to desired level when the liquid has been appropriately thinned**** and strained.	See Fig. A1, A2,A3,A4
<b>Turbine assembly</b> <b>NOTE :</b> Press and turn lock on/off dial clockwise to lock on during operation.	See Fig. B1
<b>Suction tube assembly</b> - Tube end should be facing toward the front of nozzle if spraying downward - Tube end should be facing toward the rear of nozzle if spraying upward	See Fig. B2
<b>Container assembly</b> <b>NOTE:</b> Make sure the container is tightened firmly.	See Fig. B3
<b>Liquid Flow setting</b>	
<b>Selecting the right nozzle according to your work</b> Use the screwdriver(not supplied) to take out the nozzle and replace it with the right one according to your work. <b>NOTE :</b> The smaller the diameter of nozzle is,the more delicate work it can deal with.	See Fig. C1,C2,C3

<p><b>Setting the volume</b></p> <p>-Turn the volume knob on the trigger clockwise to increase the volume. -Turn the volume knob on the trigger counter-clockwise to decrease the volume.</p>	<p>See Fig. D1</p>
<p><b>Adjusting the air flow</b></p> <p>Turn the air flow control from 1-10 according to your work .</p>	<p>See Fig. D2</p>
<p><b>Spray pattern adjustment</b></p>	
<p><b>Adjusting spray shape</b></p> <p>-Horizontal pattern ('up and down' spraying motion) - Vertical pattern('side to side'spraying motion)</p>	<p>See Fig. E</p>
<p><b>Adjusting spray width</b></p> <p>-Wide pattern (for spraying large surfaces) -Narrow pattern(For spraying smaller areas, corners and edges)</p>	<p>See Fig.F</p>
<p><b>OPERATION</b></p>	
<p><b>Checking the battery charge condition</b></p> <p><b>NOTE:</b> Fig. G1 only applies for the battery pack with battery indicator light.</p>	<p>See Fig. G1</p>
<p><b>Charging the battery pack</b></p>	<p>See Fig. G2</p>
<p><b>Installing the battery pack</b></p>	<p>See Fig. G3</p>
<p><b>Press the trigger</b></p> <p> <b>USER TIPS</b></p> <ol style="list-style-type: none"> <li>1. Position the tool 15-20cm from the spray surface, depending upon the spray pattern size desired .Spray parallel to the surface with smooth passes at a consistent speed.</li> <li>2. Apply a thin layer of liquid on the first pass and allow to dry before applying a second, slightly heavier coat.</li> <li>3. It is recommended to partially pull trigger first in order to start the turbine before a spray pass is made.</li> </ol>	<p>See Fig. H</p>

\*\*\*\*It is not necessary for most liquids when used with the nozzle of larger diameter. For use with the nozzle of smaller diameter , thinning may be needed to achieve a finer finish.If thinning is necessary, use the filling cup to adjust as you need(See Fig.A3).

## 9. NOZZLE AND PRESSURE SELECTION

See table for recommended spray pressure for your liquid.

	Liquids					
	Interior Stains/ Interior & Exterior Clears	Exterior Solid Stains	Primers	Enamels	Interior Latex Paints	Exterior Latex Paints
Speed control	1-5	6-10	6-10	6-10	6-10	6-10
Nozzles size						
1.5 mm(White)	✓	✓				
1.8 mm(Black)	✓	✓				
2.2 mm(Red)			✓	✓	✓	
2.6 mm(Blue)			✓	✓	✓	✓

## 10. CLEANING

**NOTE:** When cleaning, use appropriate cleaning solutions (warm, soapy water for latex liquids ; mineral spirits for oil-based liquids ).

### (1) QUICK CLEANING WITH GARDEN HOSE (FOR WATER PAINT ONLY) (SEE FIG. I1 ,I2,I3)

Remove the battery pack and container. Assemble the garden hose adapter to the tool. Connect one end of the garden hose to the adapter and another end to the waterspout. Press the trigger for quick cleaning. Cleaning the color residues after usage non water paints

### (2) CLEANING THE COLOR RESIDUES AFTER USAGE NON WATER PAINTS UNIT FLUSHING (SEE FIG. J1, J2, J3, J4)

Remove the battery pack. For relieving any pressure left over in the tool, loosen the container by 1/2 turn ,but not completely remove it .

Pull the trigger so that the liquid inside the nozzle drains back into the container. Unscrew the container and remove. Empty any remaining liquid back into the liquid bucket. Pour a small amount of the appropriate cleaning solution into the container. Assemble the container and install the battery pack. Spray the cleaning solution into a safe area. Remove the battery pack. Follow the same instructions to relieve any pressure.

### (3) SUCTION TUBE AND NOZZLE CLEANING(SEE FIG. K1, K2, K3)

Remove the battery pack. Unscrew the nut and remove the air cap and nozzle. Use declogging needle to clean the nozzle and wire brush to clean suction tube.

## 11. STORAGE

Always store your power tool in a dry place. Keep the motor ventilation slots clean. Keep all working controls free of dust. Occasionally you may see sparks through the ventilation slots. This is normal and will not damage your power tool.

## ENVIRONMENTAL PROTECTION



Waste electrical products must not be disposed of with household waste. Please recycle where facilities exist. Check with your local authorities or retailer for recycling advice.

# FOR BATTERY TOOLS

The ambient temperature range for the use and storage of tool and battery is 0°C-45°C.  
The recommended ambient temperature range for the charging system during charging is 0°C-40°C

## 12. TROUBLESHOOTING

Issue	Causes	Solutions
Little or no Liquid flow	<ol style="list-style-type: none"> <li>1. Nozzle clogged.</li> <li>2. Suction tube clogged.</li> <li>3. Liquid flow sets too low.</li> <li>5. Suction tube loose.</li> <li>6. No pressure builds up in container.</li> <li>7. Spray Liquid is too thick.</li> </ol>	<ol style="list-style-type: none"> <li>1. Clean.</li> <li>2. Clean.</li> <li>3. Increase Liquid flow setting.</li> <li>5. Remove and replace as tightly as possible.</li> <li>6. Tighten container.</li> <li>7. Thin****.</li> </ol>
Liquid is leaking	<ol style="list-style-type: none"> <li>1. Nozzle loose.</li> <li>2. Nozzle worn.</li> <li>3. Liquid build-up on air cap and nozzle</li> </ol>	<ol style="list-style-type: none"> <li>1. Tighten.</li> <li>2. Replace.</li> <li>3. Clean.</li> </ol>
Spray pattern is too thick, runs and sags	<ol style="list-style-type: none"> <li>1. Liquid flow sets too high.</li> <li>3. Applying too much Liquid.</li> <li>4. Nozzle is clogged.</li> <li>6. Too little pressure builds up in container.</li> <li>7. Spray Liquid is too thick.</li> </ol>	<ol style="list-style-type: none"> <li>1. Decrease Liquid flow setting.</li> <li>3. Adjust Liquid flow or increase movement of spray gun.</li> <li>5. Change.</li> <li>6. Tighten container.</li> <li>7. Thin****.</li> </ol>
Spray jet pulsates	<ol style="list-style-type: none"> <li>1. Liquid in container runs out.</li> </ol>	<ol style="list-style-type: none"> <li>1. Refill.</li> </ol>
Too much overspray	<ol style="list-style-type: none"> <li>1. Gun is too far from spray object.</li> </ol>	<ol style="list-style-type: none"> <li>1. Reduce distance (15 cm – 20 cm is ideal).</li> </ol>
Pattern is very light and spotted	<ol style="list-style-type: none"> <li>1. Moving the spray gun too fast.</li> <li>2. Liquid flow setting too low.</li> </ol>	<ol style="list-style-type: none"> <li>1. Adjust Liquid flow or decrease movement of spray gun.</li> <li>2. Increase Liquid flow setting.</li> </ol>

## 13. DECLARATION OF CONFORMITY

We,  
Positec Germany GmbH  
Postfach 32 02 16, 50796 Cologne, Germany

On behalf of Positec declare that the product  
Description **Battery operated Paint sprayer**  
Type Designation **WX020 WX020.X (020-  
designation of machinery, representative of paint  
sprayer)**  
Function **spraying paint**

Complies with the following Directives:  
**2006/42/EC, 2014/30/EU,  
2011/65/EU&(EU)2015/863**

Standards conform to  
**EN 62841-1, EN 50580, EN 55014-1, EN 55014-2**

The person authorized to compile the technical file,  
**Name Marcel Filz**  
**Address Positec Germany GmbH**  
**Postfach 32 02 16, 50796 Cologne, Germany**




2022/01/05  
Allen Ding  
Deputy Chief Engineer, Testing & Certification  
Positec Technology (China) Co., Ltd  
18, Dongwang Road, Suzhou Industrial  
Park, Jiangsu 215123, P. R. China

**20V Cordless Brushless  
Paint Sprayer**

**WX020  
WX020.X**

# DECLARATION OF CONFORMITY

We,  
Positec (UK & Ireland) Ltd.,  
PO Box 6242, Newbury, RG14 9LT, UK

On behalf of Positec declare that the product  
Description **Battery operated Paint sprayer**  
Type Designation **WX020 WX020.X (020-  
designation of machinery, representative of paint  
sprayer)**  
Function **spraying paint**

Complies with the following Directives:  
**Supply of Machinery (Safety) Regulations 2008**  
**Electromagnetic Compatibility Regulations 2016**  
**The Restriction of the Use of Certain Hazardous  
Substances in Electrical and Electronic Equipment  
Regulations**

Standards conform to  
**BS EN 62841-1, BS EN 50580, BS EN 55014-1, BS  
EN 55014-2**

The person authorized to compile the technical file,  
**Name Jim Kirkwood**  
**Address Positec (UK & Ireland) Ltd.,  
PO Box 6242, Newbury, RG14 9LT, UK**

16



2022/01/05  
Allen Ding  
Deputy Chief Engineer, Testing & Certification  
Positec Technology (China) Co., Ltd  
18, Dongwang Road, Suzhou Industrial  
Park, Jiangsu 215123, P. R. China



**WORX NITRO**

## After-sales Service and Application

At [www.worx.com](http://www.worx.com) you can order spare parts or arrange the collection of a product in need of servicing or repair.  
Tel. Service: 0345 202 9679  
E-Mail: [customerservices@worxtools.com](mailto:customerservices@worxtools.com)

**www.worx.com**

Copyright © 2022, Positec. All Rights Reserved.  
AR01606502

**20V Cordless Brushless  
Paint Sprayer**

**WX020  
WX020.X**