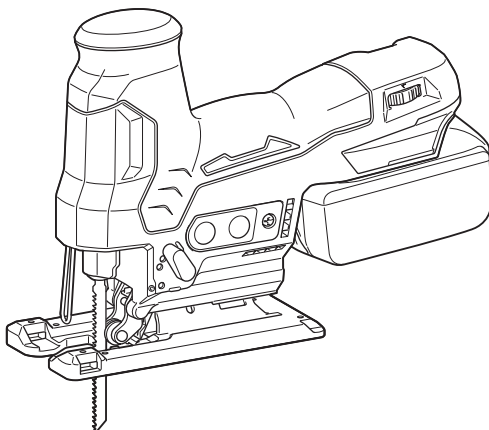




<b>EN</b>	Cordless Jig Saw	<b>INSTRUCTION MANUAL</b>	<b>7</b>
<b>SV</b>	Batteridrivnen sticksåg	<b>BRUKSANVISNING</b>	<b>15</b>
<b>NO</b>	Batteridrevet stikksag	<b>BRUKSANVISNING</b>	<b>23</b>
<b>FI</b>	Langaton lehtisaha	<b>KÄYTTÖOHJE</b>	<b>31</b>
<b>DA</b>	Akku stiksav	<b>BRUGSANVISNING</b>	<b>39</b>
<b>LV</b>	Bezvada figūrzāģis	<b>LIETOŠANAS INSTRUKCIJA</b>	<b>47</b>
<b>LT</b>	Belaidis metalo pjūklelis	<b>NAUDOJIMO INSTRUKCIJA</b>	<b>55</b>
<b>ET</b>	Juhtmeta tikksaag	<b>KASUTUSJUHEND</b>	<b>63</b>
<b>RU</b>	Аккумуляторный Лобзик	<b>РУКОВОДСТВО ПО ЭКСПЛУАТАЦИИ</b>	<b>71</b>

## DJV185



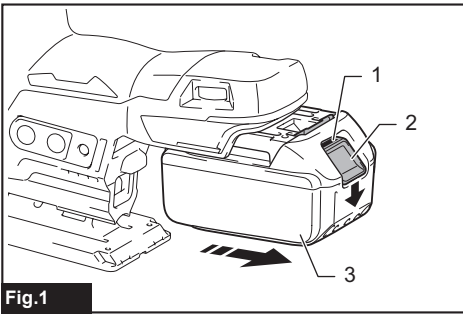


Fig.1

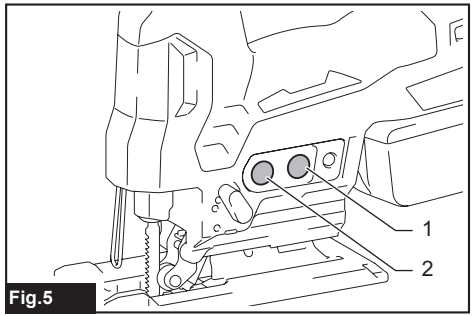


Fig.5

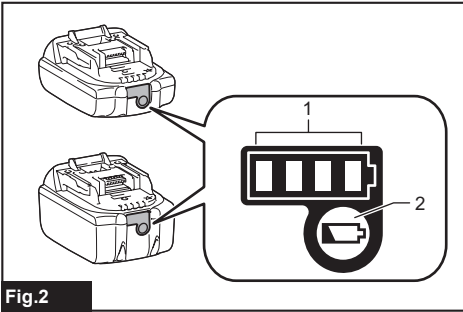


Fig.2

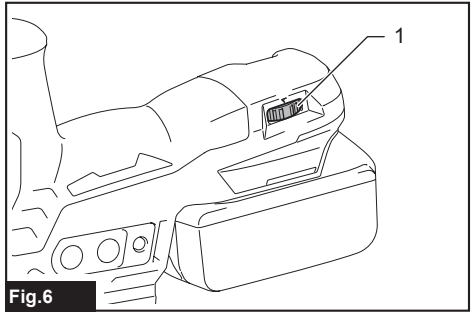


Fig.6

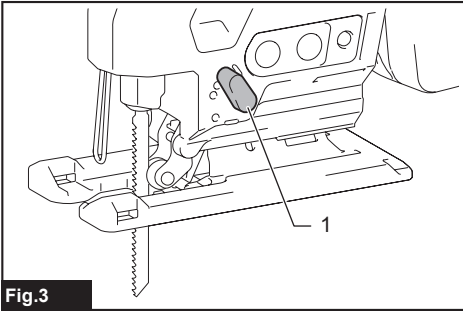


Fig.3

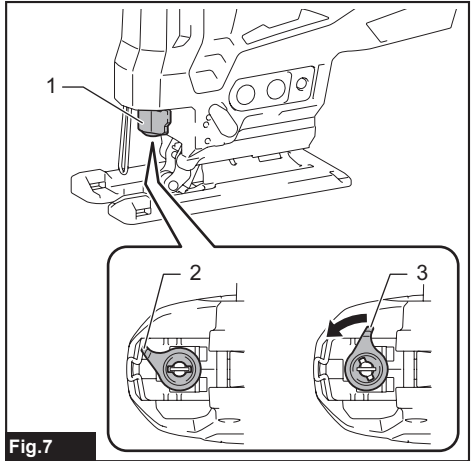


Fig.7

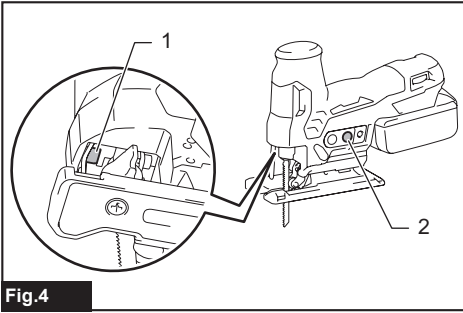
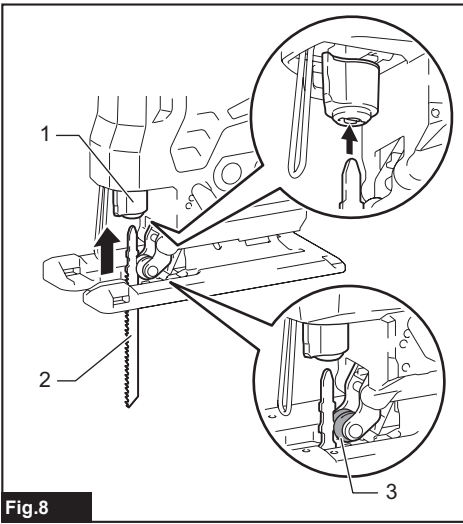
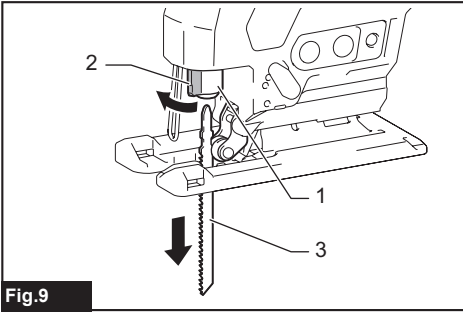


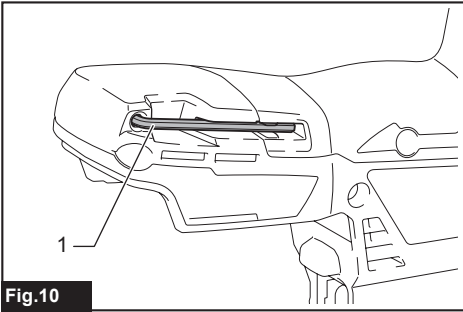
Fig.4



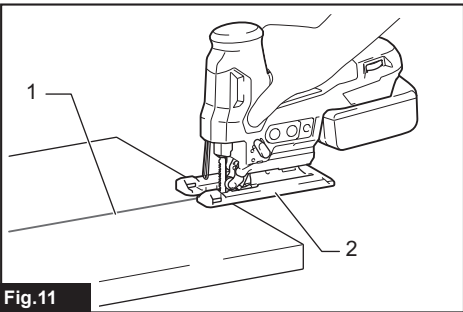
**Fig.8**



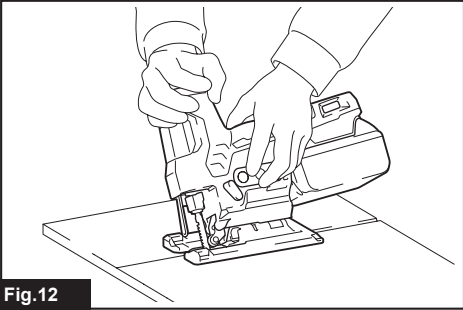
**Fig.9**



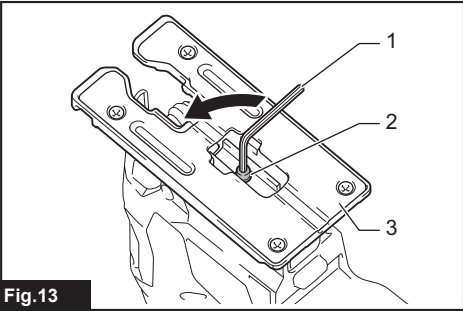
**Fig.10**



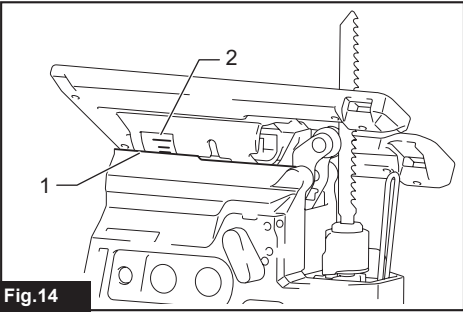
**Fig.11**



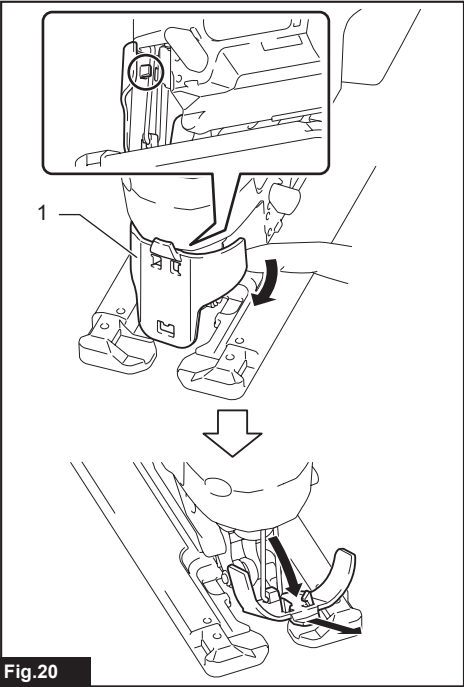
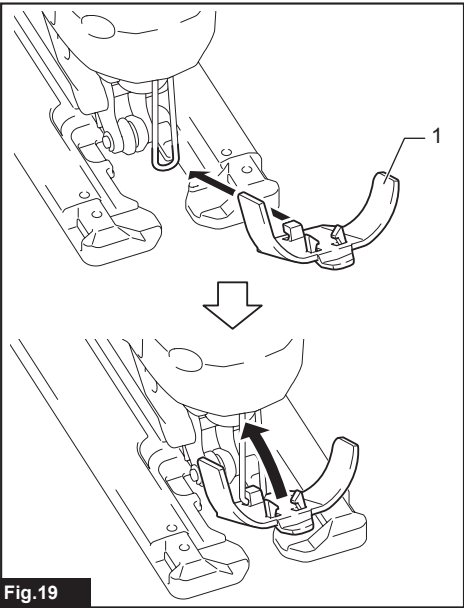
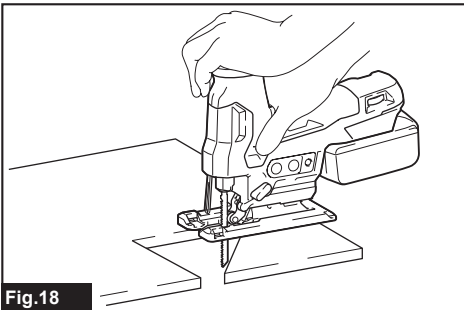
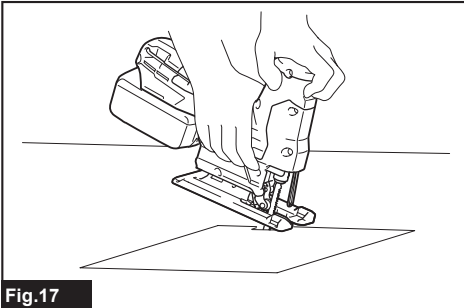
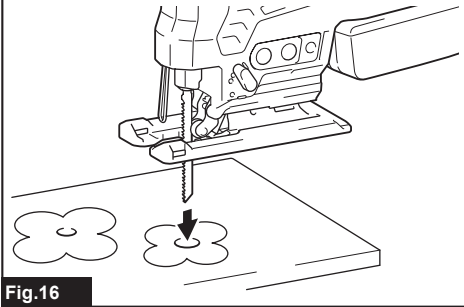
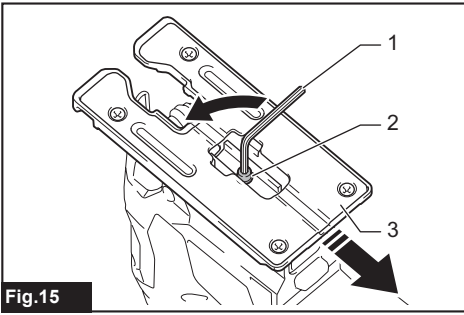
**Fig.12**



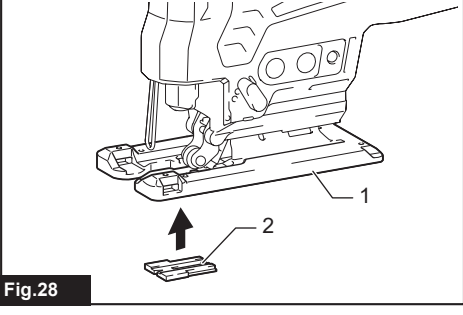
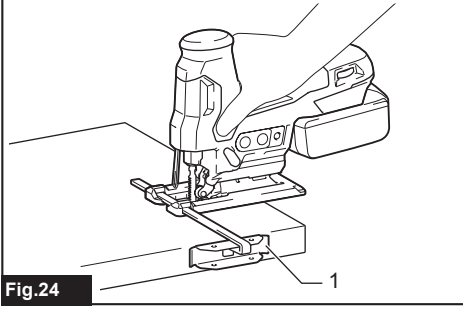
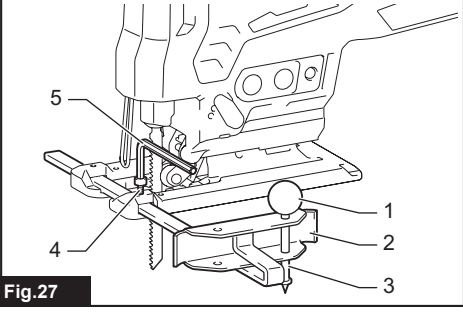
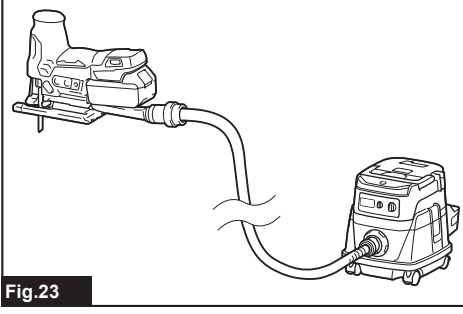
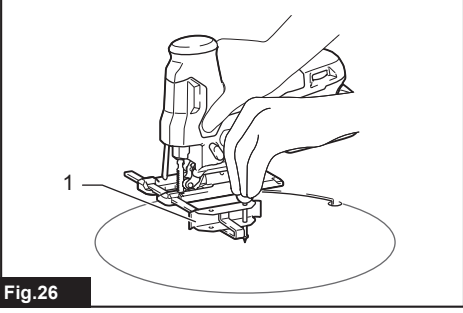
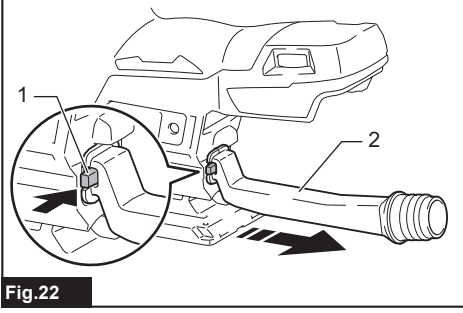
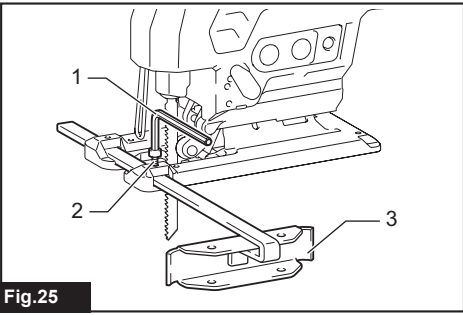
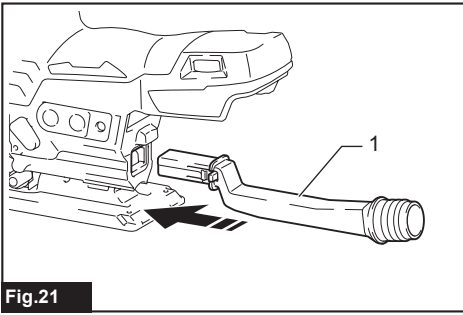
**Fig.13**

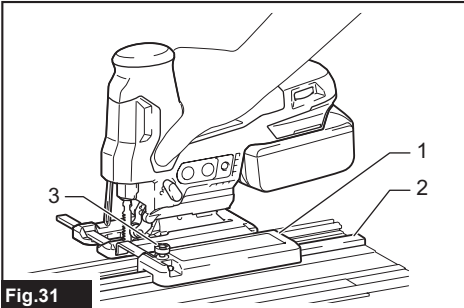
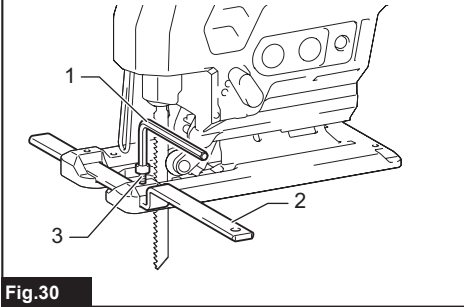
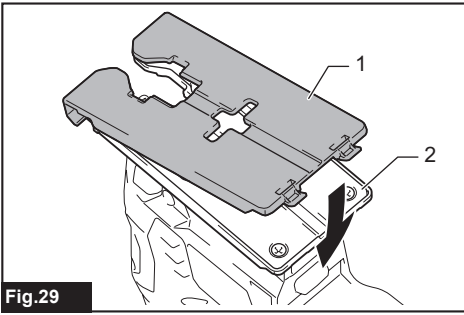


**Fig.14**









## SPECIFICATIONS

<b>Model:</b>		<b>DJV185</b>
Length of stroke		23 mm
Strokes per minute		800 - 3,000 min <sup>-1</sup>
Blade type		B type
Max. cutting capacities	Wood	135 mm
	Mild steel	10 mm
	Aluminum	20 mm
Overall length (with BL1860B)		259 mm
Rated voltage		D.C. 18 V
Net weight		2.0 - 2.3 kg

- Due to our continuing program of research and development, the specifications herein are subject to change without notice.
- Specifications may differ from country to country.
- The weight may differ depending on the attachment(s), including the battery cartridge. The lightest and heaviest combinations, according to EPTA-Procedure 01/2014, are shown in the table.

### Applicable battery cartridge and charger

Battery cartridge	BL1815N / BL1820B / BL1830B / BL1840B / BL1850B / BL1860B
Charger	DC18RC / DC18RD / DC18RE / DC18SD / DC18SE / DC18SF / DC18SH / DC18WC

- Some of the battery cartridges and chargers listed above may not be available depending on your region of residence.

**⚠WARNING:** Only use the battery cartridges and chargers listed above. Use of any other battery cartridges and chargers may cause injury and/or fire.

### Intended use

The tool is intended for the sawing of wood, plastic and metal materials.

### Noise

The typical A-weighted noise level determined according to EN62841-2-11:

Sound pressure level ( $L_{pA}$ ) : 84 dB (A)

Sound power level ( $L_{WA}$ ) : 95 dB (A)

Uncertainty (K) : 3 dB (A)

**NOTE:** The declared noise emission value(s) has been measured in accordance with a standard test method and may be used for comparing one tool with another.

**NOTE:** The declared noise emission value(s) may also be used in a preliminary assessment of exposure.

**⚠WARNING:** Wear ear protection.

**⚠WARNING:** The noise emission during actual use of the power tool can differ from the declared value(s) depending on the ways in which the tool is used especially what kind of workpiece is processed.

**⚠WARNING:** Be sure to identify safety measures to protect the operator that are based on an estimation of exposure in the actual conditions of use (taking account of all parts of the operating cycle such as the times when the tool is switched off and when it is running idle in addition to the trigger time).

### Vibration

The vibration total value (tri-axial vector sum) determined according to EN62841-2-11:

Work mode: cutting boards

Vibration emission ( $a_{h,B}$ ) : 10.3 m/s<sup>2</sup>

Uncertainty (K) : 1.7 m/s<sup>2</sup>

Work mode: cutting sheet metal

Vibration emission ( $a_{h,M}$ ) : 9.0 m/s<sup>2</sup>

Uncertainty (K) : 1.5 m/s<sup>2</sup>

**NOTE:** The declared vibration total value(s) has been measured in accordance with a standard test method and may be used for comparing one tool with another.

**NOTE:** The declared vibration total value(s) may also be used in a preliminary assessment of exposure.

**⚠WARNING:** The vibration emission during actual use of the power tool can differ from the declared value(s) depending on the ways in which the tool is used especially what kind of workpiece is processed.

**⚠WARNING:** Be sure to identify safety measures to protect the operator that are based on an estimation of exposure in the actual conditions of use (taking account of all parts of the operating cycle such as the times when the tool is switched off and when it is running idle in addition to the trigger time).

## Declarations of Conformity

### For European countries only

The Declarations of conformity are included in Annex A to this instruction manual.

## SAFETY WARNINGS

### General power tool safety warnings

**⚠WARNING** Read all safety warnings, instructions, illustrations and specifications provided with this power tool. Failure to follow all instructions listed below may result in electric shock, fire and/or serious injury.

### Save all warnings and instructions for future reference.

The term "power tool" in the warnings refers to your mains-operated (corded) power tool or battery-operated (cordless) power tool.

### Cordless jig saw safety warnings

1. Hold the power tool by insulated gripping surfaces, when performing an operation where the cutting accessory may contact hidden wiring. Cutting accessory contacting a "live" wire may make exposed metal parts of the power tool "live" and could give the operator an electric shock.
2. Use clamps or another practical way to secure and support the workpiece to a stable platform. Holding the workpiece by hand or against your body leaves it unstable and may lead to loss of control.
3. Always use safety glasses or goggles. Ordinary eye or sun glasses are NOT safety glasses.
4. Avoid cutting nails. Inspect workpiece for any nails and remove them before operation.
5. Do not cut oversize workpiece.

6. Check for the proper clearance around the workpiece before cutting so that the jig saw blade will not strike the floor, workbench, etc.
7. Hold the tool firmly.
8. Make sure the jig saw blade is not contacting the workpiece before the switch is turned on.
9. Keep hands away from moving parts.
10. Do not leave the tool running. Operate the tool only when hand-held.
11. Always switch off and wait for the jig saw blade to come to a complete stop before removing the jig saw blade from the workpiece.
12. Do not touch the jig saw blade or the workpiece immediately after operation; they may be extremely hot and could burn your skin.
13. Do not operate the tool at no-load unnecessarily.
14. Some material contains chemicals which may be toxic. Take caution to prevent dust inhalation and skin contact. Follow material supplier safety data.
15. Always use the correct dust mask/respirator for the material and application you are working with.

## SAVE THESE INSTRUCTIONS.

**⚠WARNING:** DO NOT let comfort or familiarity with product (gained from repeated use) replace strict adherence to safety rules for the subject product. MISUSE or failure to follow the safety rules stated in this instruction manual may cause serious personal injury.

### Important safety instructions for battery cartridge

1. Before using battery cartridge, read all instructions and cautionary markings on (1) battery charger, (2) battery, and (3) product using battery.
2. Do not disassemble or tamper with the battery cartridge. It may result in a fire, excessive heat, or explosion.
3. If operating time has become excessively shorter, stop operating immediately. It may result in a risk of overheating, possible burns and even an explosion.
4. If electrolyte gets into your eyes, rinse them out with clear water and seek medical attention right away. It may result in loss of your eyesight.
5. Do not short the battery cartridge:
  - (1) Do not touch the terminals with any conductive material.
  - (2) Avoid storing battery cartridge in a container with other metal objects such as nails, coins, etc.
  - (3) Do not expose battery cartridge to water or rain.A battery short can cause a large current flow, overheating, possible burns and even a breakdown.

6. **Do not store and use the tool and battery cartridge in locations where the temperature may reach or exceed 50 °C (122 °F).**
7. **Do not incinerate the battery cartridge even if it is severely damaged or is completely worn out. The battery cartridge can explode in a fire.**
8. **Do not nail, cut, crush, throw, drop the battery cartridge, or hit against a hard object to the battery cartridge.** Such conduct may result in a fire, excessive heat, or explosion.
9. **Do not use a damaged battery.**
10. **The contained lithium-ion batteries are subject to the Dangerous Goods Legislation requirements.**  
For commercial transports e.g. by third parties, forwarding agents, special requirement on packaging and labeling must be observed.  
For preparation of the item being shipped, consulting an expert for hazardous material is required.  
Please also observe possibly more detailed national regulations.  
Tape or mask off open contacts and pack up the battery in such a manner that it cannot move around in the packaging.
11. **When disposing the battery cartridge, remove it from the tool and dispose of it in a safe place. Follow your local regulations relating to disposal of battery.**
12. **Use the batteries only with the products specified by Makita.** Installing the batteries to non-compliant products may result in a fire, excessive heat, explosion, or leak of electrolyte.
13. **If the tool is not used for a long period of time, the battery must be removed from the tool.**
14. **During and after use, the battery cartridge may take on heat which can cause burns or low temperature burns. Pay attention to the handling of hot battery cartridges.**
15. **Do not touch the terminal of the tool immediately after use as it may get hot enough to cause burns.**
16. **Do not allow chips, dust, or soil stuck into the terminals, holes, and grooves of the battery cartridge.** It may cause heating, catching fire, burst and malfunction of the tool or battery cartridge, resulting in burns or personal injury.
17. **Unless the tool supports the use near high-voltage electrical power lines, do not use the battery cartridge near high-voltage electrical power lines.** It may result in a malfunction or breakdown of the tool or battery cartridge.
18. **Keep the battery away from children.**

## SAVE THESE INSTRUCTIONS.

**⚠ CAUTION:** Only use genuine Makita batteries. Use of non-genuine Makita batteries, or batteries that have been altered, may result in the battery bursting causing fires, personal injury and damage. It will also void the Makita warranty for the Makita tool and charger.

## Tips for maintaining maximum battery life

1. **Charge the battery cartridge before completely discharged. Always stop tool operation and charge the battery cartridge when you notice less tool power.**
2. **Never recharge a fully charged battery cartridge. Overcharging shortens the battery service life.**
3. **Charge the battery cartridge with room temperature at 10 °C - 40 °C (50 °F - 104 °F). Let a hot battery cartridge cool down before charging it.**
4. **When not using the battery cartridge, remove it from the tool or the charger.**
5. **Charge the battery cartridge if you do not use it for a long period (more than six months).**

## FUNCTIONAL DESCRIPTION

**⚠ CAUTION:** Always be sure that the tool is switched off and the battery cartridge is removed before adjusting or checking function on the tool.

## Installing or removing battery cartridge

**⚠ CAUTION:** Always switch off the tool before installing or removing of the battery cartridge.

**⚠ CAUTION:** Hold the tool and the battery cartridge firmly when installing or removing battery cartridge. Failure to hold the tool and the battery cartridge firmly may cause them to slip off your hands and result in damage to the tool and battery cartridge and a personal injury.

To install the battery cartridge, align the tongue on the battery cartridge with the groove in the housing and slip it into place. Insert it all the way until it locks in place with a little click. If you can see the red indicator as shown in the figure, it is not locked completely.

To remove the battery cartridge, slide it from the tool while sliding the button on the front of the cartridge.

► **Fig.1:** 1. Red indicator 2. Button 3. Battery cartridge

**⚠ CAUTION:** Always install the battery cartridge fully until the red indicator cannot be seen. If not, it may accidentally fall out of the tool, causing injury to you or someone around you.

**⚠ CAUTION:** Do not install the battery cartridge forcibly. If the cartridge does not slide in easily, it is not being inserted correctly.

## Tool / battery protection system

The tool is equipped with a tool/battery protection system. This system automatically cuts off power to the motor to extend tool and battery life. The tool will automatically stop during operation if the tool or battery is placed under one of the following conditions:

### Overload protection

When the tool or battery is operated in a manner that causes it to draw an abnormally high current, the tool automatically stops without any indication. In this situation, turn the tool off and stop the application that caused the tool to become overloaded. Then turn the tool on to restart.

### Overheat protection

When the tool or battery is overheated, the tool stops automatically and the lamp blinks. In this case, let the tool and battery cool before turning the tool on again.

### Overdischarge protection

When the battery capacity is not enough, the tool stops automatically. In this case, remove the battery from the tool and charge the battery.

### Protections against other causes

Protection system is also designed for other causes that could damage the tool and allows the tool to stop automatically. Take all the following steps to clear the causes, when the tool has been brought to a temporary halt or stop in operation.

1. Turn the tool off, and then turn it on again to restart.
2. Charge the battery(ies) or replace it/them with recharged battery(ies).
3. Let the tool and battery(ies) cool down.

If no improvement can be found by restoring protection system, then contact your local Makita Service Center.

## Indicating the remaining battery capacity

### Only for battery cartridges with the indicator

Press the check button on the battery cartridge to indicate the remaining battery capacity. The indicator lamps light up for a few seconds.

► **Fig.2:** 1. Indicator lamps 2. Check button

Indicator lamps			Remaining capacity
Lighted	Off	Blinking	
■	□	▧	75% to 100%
■ ■ ■ ■			
■ ■ ■ □			
■ ■ □ □			
■ □ □ □			
▧ □ □ □			
▧ □ □ □			
■ ■ □ □			50% to 75%
■ ■ □ □			25% to 50%
■ □ □ □			0% to 25%
▧ □ □ □			Charge the battery.
■ ■ □ □			The battery may have malfunctioned.
□ □ ■ ■			

**NOTE:** Depending on the conditions of use and the ambient temperature, the indication may differ slightly from the actual capacity.

**NOTE:** The first (far left) indicator lamp will blink when the battery protection system works.

## Selecting the cutting action

This tool can be operated with an orbital or a straight line (up and down) cutting action. The orbital cutting action thrusts the jig saw blade forward and increases cutting speed.

► **Fig.3:** 1. Cutting action changing lever

To change the cutting action, turn the cutting action changing lever to the desired cutting action position. Refer to the table to select the appropriate cutting action.

Position	Cutting action	Applications
0	Straight line cutting action	For cutting mild steel, stainless steel and plastics. For clean cuts in wood and plywood.
I	Small orbital cutting action	For cutting mild steel, aluminum and hard wood.
II	Medium orbital cutting action	For cutting wood and plywood. For fast cutting in aluminum and mild steel.
III	Large orbital cutting action	For fast cutting in wood and plywood.

## Lighting up the front lamp

**CAUTION:** Do not look in the light or see the source of light directly.

To turn on the lamp, press the lock/unlock button. To turn off the lamp, press the lock/unlock button again.

► **Fig.4:** 1. Lamp 2. Lock/unlock button

**NOTICE:** When the tool is overheated, the lamp blinks. Cool down the tool fully before operating the tool again.

**NOTE:** Use a dry cloth to wipe the dirt off the lens of the lamp. Be careful not to scratch the lens of lamp, or it may lower the illumination.

## Switch action

To turn on the tool, press the lock/unlock button. The tool turns into the standby mode. To start the tool, press the start/stop button in the standby mode. To stop the tool, press the start/stop button again. The tool turns into the standby mode. To turn off the tool, press the lock/unlock button in the standby mode.

► **Fig.5:** 1. Lock/unlock button 2. Start/stop button

**NOTE:** If the tool is left for 10 seconds without any operation in the standby mode, the tool automatically turns off and the lamp goes off.

**NOTE:** You can also stop and turn off the tool by pressing the lock/unlock button while the tool is operating.

To decrease the brightness of the lamp, press and hold the lock/unlock button when turning into the standby mode. About 1 second after you start pressing the lock/unlock button, the brightness of the lamp will start to decrease, so release the lock/unlock button when you reach the desired brightness. It turns the tool into the standby mode, too. About 3 seconds after you start pressing the lock/unlock button, the brightness of the lamp will be minimized and the brightness will not change after that.

**NOTE:** The brightness of the lamp cannot be adjusted while the tool is in standby mode. To adjust the brightness of the lamp, turn off the tool.

**NOTE:** There is no memory function for the brightness of the lamp. If you turn the lamp off and then turn it on, the brightness of the lamp will be maximized each time.

## Speed adjusting dial

The tool speed can be adjusted by turning the speed adjusting dial. You can get the highest speed at 5 and the lowest speed at 1.

► **Fig.6:** 1. Speed adjusting dial

Refer to the table to select the proper speed for the workpiece to be cut. However, the appropriate speed may differ with the type or thickness of the workpiece. In general, higher speeds will allow you to cut workpieces faster but the service life of the jig saw blade will be reduced.

Workpiece	Number
Wood	4 - 5
Mild steel	3 - 5
Stainless steel	3 - 4
Aluminum	3 - 5
Plastics	1 - 4

**NOTICE:** The speed adjusting dial can be turned only as far as 5 and back to 1. Do not force it past 5 or 1, or the speed adjusting function may no longer work.

## Electronic function

The tool is equipped with the electronic functions for easy operation.

### Soft start

The soft-start function minimizes start-up shock, and makes the tool start smoothly.

### Constant speed control

Electronic speed control for obtaining constant speed. Possible to get fine finish, because the tool speed is kept constant even under load condition.

### Soft no-load rotation function

To reduce the vibration and align the jig saw blade with the cutting line easily, the tool automatically reduces the tool speed until the tool starts cutting the workpiece when the speed adjusting dial is set at 2 or higher. Once the tool starts cutting the workpiece, the tool speed reaches the preset speed and keeps the speed until the tool stops.

**NOTE:** When the temperature is low, this function may not be available. Also, depending on the material, jig saw blade, and tool speed, this feature may not be available.

### Disabling or enabling the soft no-load rotation function

To disable or enable the soft no-load rotation function, follow the steps below.

1. Make sure that the tool is turned off.
2. Set the speed adjusting dial to "1".
3. Press the lock/unlock button to turn on the tool.
4. Set the speed adjusting dial to "5" by turning it, and then set it to "1" by turn it back.

The lamp blinks twice to indicate that the soft no-load rotation function is disabled. To enable this function again, perform the same procedure again.

**NOTE:** If the soft no-load rotation function is disabled, the lamp blinks twice when the tool is turned on.

**NOTE:** You can also disable or enable the soft no-load rotation function by changing the speed adjusting dial from "5" to "1" and changing it from "1" to "5".

## Electric brake

This tool is equipped with an electric brake. If the tool consistently fails to quickly stop after the start/stop button or the lock/unlock button is pressed, have the tool serviced at a Makita service center.

## ASSEMBLY

**⚠ CAUTION:** Always be sure that the tool is switched off and the battery cartridge is removed before carrying out any work on the tool.

### Installing or removing jig saw blade

**⚠ CAUTION:** Always clean out all chips or foreign matter adhering to the jig saw blade and/or blade holder. Failure to do so may cause insufficient tightening of the jig saw blade, resulting in a serious personal injury.

**⚠ CAUTION:** Do not touch the jig saw blade or the workpiece immediately after operation. They may be extremely hot and could burn your skin.

**⚠ CAUTION:** Always secure the jig saw blade firmly. Insufficient tightening of the jig saw blade may cause the blade breakage or serious personal injury.

**⚠ CAUTION:** Use only B type jig saw blades. Using blades other than B type causes insufficient tightening of the jig saw blade, resulting in a serious personal injury.

**⚠ CAUTION:** When you remove the jig saw blade, be careful not to hurt your fingers with the top of the jig saw blade or the tips of workpiece.

Before installing the jig saw blade, make sure that the blade clamp lever is in the released position.

To install the jig saw blade, insert the jig saw blade (teeth facing forward) into the jig saw blade holder. The blade clamp lever moves to the fixed position and the jig saw blade is locked. Make sure that the back edge of the jig saw blade fits into the roller. Pull the jig saw blade lightly to make sure that the jig saw blade does not fall off during operation.

► **Fig.7:** 1. Jig saw blade holder 2. Blade clamp lever (released position) 3. Blade clamp lever (fixed position)

► **Fig.8:** 1. Jig saw blade holder 2. Jig saw blade 3. Roller

**⚠ CAUTION:** If the blade clamp lever does not move to the fixed position, the jig saw blade is not installed completely. Do not press the blade clamp lever by hand to the fixed position. It may damage the tool.

To remove the jig saw blade, push the blade clamp lever forward as far as it will go. This allows the jig saw blade to be released.

► **Fig.9:** 1. Jig saw blade holder 2. Blade clamp lever 3. Jig saw blade

**NOTE:** If it is difficult to remove the jig saw blade, turn the cutting action changing lever to the position "III" and move the jig saw blade holder to the bottom. To move the jig saw blade holder to the bottom, return the blade clamp lever fully to the fixed position once and slightly switch on the tool several times.

**NOTE:** Occasionally lubricate the roller.

## Hex wrench storage

When not in use, store the hex wrench as shown in the figure to keep it from being lost.

► **Fig.10:** 1. Hex wrench

## OPERATION

**⚠ CAUTION:** Always hold the base flush with the workpiece. Failure to do so may cause jig saw blade breakage, resulting in a serious injury.

**⚠ CAUTION:** Advance the tool very slowly when cutting curves or scrolling. Forcing the tool may cause a slanted cutting surface and jig saw blade breakage.

Turn the tool on without the jig saw blade making any contact and wait until the jig saw blade attains full speed. Then rest the base flat on the workpiece and gently move the tool forward along the previously marked cutting line.

► **Fig.11:** 1. Cutting line 2. Base

### Bevel cutting

**⚠ CAUTION:** Always be sure that the tool is switched off and the battery cartridge is removed before tilting the base.

With the base tilted, you can make bevel cuts at any angle between 0° and 45° (left or right).

► **Fig.12**

Loosen the bolt on the back of the base with the hex wrench. Move the base so that the bolt is positioned in the center of the cross-shaped slot in the base.

► **Fig.13:** 1. Hex wrench 2. Bolt 3. Base

Tilt the base until the desired bevel angle is obtained. The edge of the motor housing indicates the bevel angle by graduations. Then tighten the bolt to secure the base.

► **Fig.14:** 1. Edge 2. Graduation

### Front flush cuts

Loosen the bolt on the bottom of the base with the hex wrench and slide the base all the way back. Then tighten the bolt to secure the base.

► **Fig.15:** 1. Hex wrench 2. Bolt 3. Base

### Cutouts

Cutouts can be made with either of two methods: "Boring a starting hole" or "Plunge cutting".

#### Boring a starting hole

For internal cutouts without a lead-in cut from an edge, pre-drill a starting hole 12 mm or more in diameter. Insert the jig saw blade into this hole to start your cut.

► **Fig.16**



## Plunge cutting

You need not bore a starting hole or make a lead-in cut if you carefully do as follows.

1. Touch the front edge of the base to the workpiece, and tilt the tool with the jig saw blade point positioned just above the workpiece surface.
  2. Apply pressure to the tool so that the front edge of the base will not move when you switch on the tool and gently lower the back end of the tool slowly.
  3. As the jig saw blade pierces the workpiece, slowly lower the base of the tool down onto the workpiece surface.
  4. Complete the cut in the normal manner.
- Fig.17

## Finishing edges

To trim edges or make dimensional adjustments, run the jig saw blade lightly along the cut edges.

► Fig.18

## Metal cutting

Always use a suitable coolant (cutting oil) when cutting metal. Failure to do so will cause significant jig saw blade wear. The underside of the workpiece can be greased instead of using a coolant.

## Dust extraction

### Installing or removing the dust cover

Install the dust cover as shown in the figure.

► Fig.19: 1. Dust cover

To remove the dust cover, press one side of the cover, and then remove it as shown in the figure.

► Fig.20: 1. Dust cover

### Installing or removing the dust nozzle

You can connect this tool to a Makita vacuum cleaner by attaching the dust nozzle.

Insert the dust nozzle all the way into the tool.

► Fig.21: 1. Dust nozzle

To remove the dust nozzle, pull out the dust nozzle while pressing the button on the dust nozzle.

► Fig.22: 1. Button 2. Dust nozzle

### Connecting the tool to the vacuum cleaner

Connect the hose of the vacuum cleaner to the dust nozzle.

► Fig.23

## Rip fence

### Optional accessory

**CAUTION:** Always be sure that the tool is switched off and the battery cartridge is removed before installing or removing accessories.

### Straight cuts

When repeatedly cutting widths of 160 mm or less, use of the rip fence will assure fast, clean, straight cuts.

► Fig.24: 1. Rip fence (Guide rule)

To install, insert the bar part into the square hole of the base with the fence part facing down. Slide the rip fence to the desired cutting width position, then tighten the bolt to secure it.

► Fig.25: 1. Hex wrench 2. Bolt 3. Rip fence (Guide rule)

### Circular cuts

When cutting circles or arcs of 170 mm or less in radius, install the rip fence as follows.

► Fig.26: 1. Rip fence (Guide rule)

**CAUTION:** Do not touch the tip of the circular guide pin. The sharp tip of the circular guide pin can cause injury.

1. Insert the bar part into the square hole of the base with the fence part facing up.

2. Insert the circular guide pin through either of the two holes on the fence part. Screw the threaded knob onto the circular guide pin to secure the circular guide pin.

► Fig.27: 1. Threaded knob 2. Rip fence (Guide rule)  
3. Circular guide pin 4. Bolt 5. Hex wrench

3. Slide the rip fence to the desired cutting radius, and tighten the bolt to secure it in place.

**NOTE:** Always use jig saw blades No. B-17, B-18, B-26 or B-27 when cutting circles or arcs.

## Anti-splintering device

### Optional accessory

**CAUTION:** The anti-splintering device cannot be used when making bevel cuts.

For splinter-free cuts, the anti-splintering device can be used. To install the anti-splintering device, move the tool base all the way forward and fit it from the back of tool base.

When you use the cover plate, install the anti-splintering device onto the cover plate.

► Fig.28: 1. Base 2. Anti-splintering device

## Cover plate

Use the cover plate when cutting decorative veneers, plastics, etc. It protects sensitive or delicate surfaces from damage. Fit it on the bottom of the tool base.

► Fig.29: 1. Cover plate 2. Base

## Guide rail adapter set

### Optional accessory

When cutting parallel and uniform width or cutting straight, the use of the guide rail and the guide rail adapter will assure the production of fast and clean cuts. To install the guide rail adapter, insert the rule bar into the square hole of the base as far as it goes. Secure the bolt with the hex wrench securely.

► **Fig.30:** 1. Hex wrench 2. Rule bar 3. Bolt

Insert the rule bar into the square hole of the guide rail adapter, and secure the screw firmly. Place the guide rail adapter on the guide rail.

► **Fig.31:** 1. Guide rail adapter 2. Guide rail 3. Screw

**NOTICE:** Always use jig saw blades No. B-8, B-13, B-16, B-17 or 58 when using the guide rail and the guide rail adapter.

## MAINTENANCE

**CAUTION:** Always be sure that the tool is switched off and the battery cartridge is removed before attempting to perform inspection or maintenance.

**NOTICE:** Never use gasoline, benzine, thinner, alcohol or the like. Discoloration, deformation or cracks may result.

To maintain product SAFETY and RELIABILITY, repairs, any other maintenance or adjustment should be performed by Makita Authorized or Factory Service Centers, always using Makita replacement parts.

## OPTIONAL ACCESSORIES

**CAUTION:** These accessories or attachments are recommended for use with your Makita tool specified in this manual. The use of any other accessories or attachments might present a risk of injury to persons. Only use accessory or attachment for its stated purpose.

If you need any assistance for more details regarding these accessories, ask your local Makita Service Center.

- Jig saw blades
- Rip fence (guide rule) set
- Guide rail adapter set
- Anti-splintering device
- Cover plate
- Dust nozzle
- Dust cover
- Makita genuine battery and charger

**NOTE:** Some items in the list may be included in the tool package as standard accessories. They may differ from country to country.

## SPECIFIKATIONER

<b>Modell:</b>		<b>DJV185</b>
Slaglängd		23 mm
Slag per minut		800 - 3 000 min <sup>-1</sup>
Typ av sågblad		Typ B
Max. kapningskapacitet	Trä	135 mm
	Mjukt stål	10 mm
	Aluminium	20 mm
Total längd (med BL1860B)		259 mm
Märkspänning		18 V likström
Nettovikt		2,0 - 2,3 kg

- På grund av vårt pågående program för forskning och utveckling kan dessa specifikationer ändras utan föregående meddelande.
- Specifikationer kan variera mellan olika länder.
- Vikten kan variera beroende på tillbehören, inklusive batterikassett. Den lättaste och den tyngsta kombinationen enligt EPTA-procedur 01/2014 visas i tabellen.

### Tillgänglig batterikassett och laddare

Batterikassett	BL1815N / BL1820B / BL1830B / BL1840B / BL1850B / BL1860B
Laddare	DC18RC / DC18RD / DC18RE / DC18SD / DC18SE / DC18SF / DC18SH / DC18WC

- Vissa av batterikassetterna och laddarna på listan ovan kanske inte finns tillgängliga i din region.

**⚠ VARNING: Använd endast batterikassetter och laddare från listan ovan.** Användning av andra batterikassetter och laddare kan orsaka personskada och/eller brand.

### Avsedd användning

Verktyget är avsett för sågning i trä, plast och metallmaterial.

### Buller

Den normala bullernivån för A-belastning är bestämd enligt EN62841-2-11:

Ljudtrycksnivå ( $L_{pA}$ ): 84 dB (A)

Ljudeffektnivå ( $L_{WA}$ ): 95 dB (A)

Måttolerans (K): 3 dB (A)

**OBS:** Det deklarerade bullervärdet har uppmätts i enlighet med standardtestmetoden och kan användas för jämförandet av en maskin med en annan.

**OBS:** Det deklarerade bulleremissionsvärdet kan också användas i en preliminär bedömning av exponering för vibration.

**⚠ VARNING: Använd hörselskydd.**

**⚠ VARNING: Bulleremissionen under faktisk användning av maskinen kan skilja sig från det deklarerade värdet, beroende på hur maskinen används och särskilt vilken typ av arbetsstycke som behandlas.**

**⚠ VARNING: Var noga med att identifiera säkerhetsåtgärder för att skydda användaren, vilka är grundade på en uppskattning av graden av exponering för vibrationer under de faktiska användningsförhållandena, (ta, förutom avtryckartiden, med alla delar av användarcykeln i beräkningen, som till exempel tiden då maskinen är avstängd och när den går på tomgång).**

### Vibration

Det totala vibrationsvärdet (treaxlad vektorsumma) bestämt enligt EN62841-2-11:

Arbetsläge: skivsågning

Vibrationsemission ( $a_{h,B}$ ): 10,3 m/s<sup>2</sup>

Måttolerans (K): 1,7 m/s<sup>2</sup>

Arbetsläge: sågning av metallplåt

Vibrationsemission ( $a_{h,M}$ ): 9,0 m/s<sup>2</sup>

Måttolerans (K): 1,5 m/s<sup>2</sup>

**OBS:** Det deklarerade totala vibrationsvärdet har uppmätts i enlighet med standardtestmetoden och kan användas för jämförandet av en maskin med en annan.

**OBS:** Det deklarerade totala vibrationsvärdet kan också användas i en preliminär bedömning av exponering för vibration.

**⚠ VARNING:** Vibrationsemissionen under faktisk användning av maskinen kan skilja sig från det deklarerade värdet, beroende på hur maskinen används och särskilt vilken typ av arbetsstycke som behandlas.

**⚠ VARNING:** Var noga med att identifiera säkerhetsåtgärder för att skydda användaren, vilka är grundade på en uppskattning av graden av exponering för vibrationer under de faktiska användningsförhållandena, (ta, förutom avtryckartiden, med alla delar av användarcykeln i beräkningen, som till exempel tiden då maskinen är avstängd och när den går på tomgång).

## Försäkran om överensstämmelse

*Gäller endast inom EU*

Försäkran om överensstämmelse ingår i bilaga A till denna bruksanvisning.

## SÄKERHETSVARNINGAR

### Allmänna säkerhetsvarningar för maskiner

**⚠ VARNING** Läs alla säkerhetsvarningar, instruktioner, illustrationer och specifikationer som medföljer detta elverktyg. Underlåtenhet att följa alla instruktioner nedan kan leda till elstöt, brand och/eller allvarliga personskador.

### Spara alla varningar och instruktioner för framtida referens.

Termen "maskin" (som anges i varningarna hänvisar till din eldrivna maskin (sladdansluten) eller batteridrivna maskin (sladdlös).

### Säkerhetsvarningar för batteridrivna sticksåg

1. Håll maskinen i de isolerade handtagen om det finns risk för att sågverket kan komma i kontakt med en dold elkabel. Om sågverket kommer i kontakt med en strömförande ledning blir maskinens blottlagda metalldelar strömförande och kan ge användaren en elektrisk stöt.
2. Använd tvingar eller liknande för att säkra och stödja arbetsstycket på ett stabilt underlag. Att hålla arbetsstycket i händerna eller mot kroppen ger inte tillräckligt stöd, och du riskerar då att förlora kontrollen.
3. Använd alltid skyddsglasögon. Vanliga glasögon och solglasögon är INTE skyddsglasögon.

4. Undvik att säga i spik. Ta bort alla spikar i arbetsstycket innan du säger.
5. Säg inte för stora arbetsstycken.
6. Kontrollera att det finns tillräckligt med fritt utrymme runt arbetsstycket innan sågningen påbörjas så att sticksågbladet inte slår emot golvet, arbetsbänken osv.
7. Håll verktyget i ett fast grepp.
8. Se till att sticksågbladet inte är i kontakt med arbetsstycket innan du trycker på avtryckaren.
9. Håll händerna borta från rörliga delar.
10. Lämna inte maskinen igång. Använd endast maskinen när du håller den i händerna.
11. Stäng alltid av verktyget och vänta tills sticksågbladet stannat helt innan sticksågbladet avlägsnas från arbetsstycket.
12. Rör inte vid sticksågbladet eller arbetsstycket omedelbart efter avslutat arbete, då de kan vara mycket heta och ge brännskador.
13. Använd inte maskinen obelastad i onödan.
14. Vissa material kan innehålla giftiga kemikalier. Se till att du inte andas in damm eller får det på huden. Följ anvisningarna i leverantörens materialsäkerhetsblad.
15. Använd alltid andningsskydd eller skyddsmask anpassat för det material du arbetar med när du säger.

## SPARA DESSA ANVISNINGAR.

**⚠ VARNING:** GLÖM INTE att också fortsättningsvis strikt följa säkerhetsanvisningarna för maskinen även efter att du blivit van att använda den. Vid FELAKTIG HANTERING av maskinen eller om inte säkerhetsanvisningarna i denna bruksanvisning följs kan följden bli allvarliga personskador.

### Viktiga säkerhetsanvisningar för batterikassetten

1. Innan batterikassetten används ska alla instruktioner och varningsmärken på (1) batteriladdaren, (2) batteriet och (3) produkten läsas.
2. Montera inte isär eller mixtra med batterikassetten. Det kan leda till brand, överdriven värme eller explosion.
3. Om drifttiden blivit avsevärt kortare ska användningen avbrytas omedelbart. Det kan uppstå överhettning, brännskador och t o m en explosion.
4. Om du får elektrolyt i ögonen ska de sköljas med rent vatten och läkare uppsöks omedelbart. Det finns risk för att synen förloras.
5. Kortslut inte batterikassetten.
  - (1) Rör inte vid polerna med något strömförande material.
  - (2) Undvik att förvara batterikassetten tillsammans med andra metallobjekt som t.ex. spikar, mynt o.s.v.
  - (3) Skydda batteriet mot vatten och regn. En batterikortslutning kan orsaka ett stort strömflöde, överhettning, brand och maskinhaveri.

6. **Förvara och använd inte verktyget och batterikassetten på platser där temperaturen kan nå eller överstiga 50 °C.**
7. **Bränn inte upp batterikassetten även om den är svårt skadad eller helt utsliten. Batterikassetten kan explodera i öppen eld.**
8. **Spika inte i, krossa, kasta, tappa eller slå batterikassetten mot hårda föremål. Dylika händelser kan leda till brand, överdriven värme eller explosion.**
9. **Använd inte ett skadat batteri.**
10. **De medföljande litiumjonbatterierna är föremål för kraven i gällande lagstiftning för farligt gods.**  
För kommersiella transporter (av t.ex. tredje parter som speditorsfirmor) måste de särskilda transportkrav som anges på emballaget och etiketter iakttagas.  
För att förbereda den produkt som ska avsändas krävs att du konsulterar en expert på riskmaterial. Var också uppmärksam på att det i ditt land kan finnas ytterligare föreskrifter att följa.  
Tejpa över eller maskera blottade kontakter och packa batteriet på sådant sätt att det inte kan röra sig fritt i förpackningen.
11. **När batterikassetten ska kasseras måste den tas bort från maskinen och kasseras på ett säkert sätt. Följ lokala föreskrifter beträffande avfallshantering av batteriet.**
12. **Använd endast batterierna med de produkter som specificerats av Makita. Att använda batterierna med ej godkända produkter kan leda till brand, överdriven värme, explosion eller utläckande elektrolyt.**
13. **Om maskinen inte används under en lång tid måste batteriet tas bort från maskinen.**
14. **Under och efter användning kan batterikassetten bli het vilket kan orsaka brännskador eller lättare brännskador. Var uppmärksam på hur du hanterar varma batterikassetter.**
15. **Vidrör inte verktygets kontakter direkt efter användning eftersom de kan bli heta och orsaka brännskador.**
16. **Låt inte flisor, damm eller smuts fastna i kontakterna, i hål eller spår i batterikassetten. Det kan leda till att verktyget eller batterikassetten värms upp, fattar eld, går sönder eller inte fungerar som de ska, vilket kan orsaka brännskador eller personskador.**
17. **Såvida inte verktyget stöder arbeten i närheten av högspänningsledningar får batterikassetten inte användas i närheten av en högspänningsledning. Det kan leda till att verktyget eller batterikassetten går sönder eller inte fungerar korrekt.**
18. **Förvara batteriet utom räckhåll för barn.**

## SPARA DESSA ANVISNINGAR.

**⚠FÖRSIKTIGT:** Använda endast äkta Makita-batterier. Användning av oäkta Makita-batterier eller batterier som har manipulerats kan leda till person- och utrustningsskador eller till att batteriet fattar eld. Det upphäver också Makitas garanti för verktyget och laddaren.

## Tips för att uppnå batteriets maximala livslängd

1. Ladda batterikassetten innan den är helt urladdad. Stanna alltid maskinen och ladda batterikassetten när du märker att maskinen blir svagare.
2. Ladda aldrig en fulladdad batterikasset. Överladdning förkortar batteriets livslängd.
3. Ladda batterikassetten vid en rumstemperatur på 10 °C - 40 °C. Låt en varm batterikasset svalna innan den laddas.
4. När batterikassetten inte används ska den tas bort från verktyget eller laddaren.
5. Ladda batterikassetten om du inte har använt den på länge (mer än sex månader).

## FUNKTIONSBESKRIVNING

**⚠FÖRSIKTIGT:** Se alltid till att maskinen är avstängd och batterikassetten borttagen innan du justerar maskinen eller kontrollerar dess funktioner.

## Montera eller demontera batterikassetten

**⚠FÖRSIKTIGT:** Stäng alltid av maskinen innan du monterar eller tar bort batterikassetten.

**⚠FÖRSIKTIGT:** Håll stadigt i maskinen och batterikassetten när du monterar eller tar bort batterikassetten. I annat fall kan det leda till att de glider ur dina händer och orsakar skada på maskinen och batterikassetten samt personskada.

Sätt in batterikassetten genom att rikta in tungan på batterikassetten mot spåret i höljet och skjut den på plats. Tryck in batterikassetten ordentligt tills den låser fast med ett klick. Om du kan se den röda indikatorn som bilden visar är den inte låst ordentligt.

Ta bort batterikassetten genom att skjuta ner knappen på kassetens framsida samtidigt som du drar ut batterikassetten.

► Fig. 1: 1. Röd indikator 2. Knapp 3. Batterikasset

**⚠FÖRSIKTIGT:** Sätt alltid in batterikassetten helt tills den röda indikatorn inte längre syns. I annat fall kan den oväntat falla ur verktyget och skada dig eller någon annan.

**⚠FÖRSIKTIGT:** Montera inte batterikassetten med våld. Om kassetten inte lätt glider på plats är den felinsatt.

## Skyddssystem för maskinen/batteriet

Verktyget är utrustat med ett skyddssystem för verktyget/batteriet. Detta system bryter automatiskt strömmen till motorn för att förlänga verktygets och batteriets livslängd. Verktyget stoppar automatiskt under användningen om verktyget eller batteriet hamnar i en av följande situationer:

## Överbelastningsskydd

Om verktyget eller batteriet används på ett sätt som gör att det drar onormalt mycket ström stoppas verktyget automatiskt utan varning. Om detta sker stänger du av verktyget och upphör med det arbete som gjorde att det överbelastades. Starta därefter upp verktyget igen.

## Överhettningsskydd

När verktyget eller batteriet överhettas stoppas det automatiskt och lampan börjar blinka. I sådant fall ska du låta verktyget och batteriet svalna innan du startar verktyget igen.

## Överurladdningsskydd

När batterikapacitet är otillräcklig stoppar verktyget automatiskt. Ta i så fall ut batteriet ur verktyget och ladda det.

## Skydd mot andra orsaker

Skyddssystemet är också utvecklat för att hantera andra orsaker som skulle kunna skada verktyget och tillåter verktyget att stanna automatiskt. Ta följande steg för att åtgärda felen när verktyget stannat temporärt eller helt.

1. Stäng av verktyget och starta sedan upp den igen för att starta om.
2. Laddning av batteriet/batterierna och ersätt dem med laddade batteri(er).
3. Låt verktyget och batteri(erna) svalna.









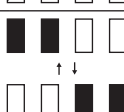
Om ingen förbättring kan hittas genom att återställa skyddssystemet, kontakta ditt lokala Makita Service Center.

## Indikerar kvarvarande batterikapacitet

### Endast för batterikassetter med indikator

Tryck på kontrollknappen på batterikassetten för att se kvarvarande batterikapacitet. Indikatorlamporna lyser i ett par sekunder.

► **Fig.2:** 1. Indikatorlampor 2. Kontrollknapp

Indikatorlampor			Kvarvarande kapacitet
 Upplyst	 Av	 Blinkar	
			75% till 100%
			50% till 75%
			25% till 50%
			0% till 25%
			Ladda batteriet.
			Batteriet kan ha skadats.

**OBS:** Beroende på användningsförhållanden och den omgivande temperaturen kan indikationen skilja sig lätt från den faktiska batterikapaciteten.

**OBS:** Den första (längst till vänster) indikatorlampan kommer att blinka när batteriskyddssystemet fungerar.

## Val av sågfunktion

Verktyget kan användas i en pendlande eller en rak sågrörelse (uppåt och nedåt). Vid den pendlande sågrörelsen kastas sticksågbladet framåt vilket ökar såghastigheten.

► **Fig.3:** 1. Omkopplingsreglage för sågfunktion

Ändra sågfunktionen genom att vrida omkopplingsreglaget för sågfunktion till önskat sågfunktionsläge. Se tabellen för val av passande sågfunktion.

Läge	Sågfunktion	Användningsområde
0	Rak sågrörelse	För sågning i mjukt stål, rostfritt stål och plast. För rena sågningar i trä och plywood.
I	Sågning i en liten cirkel	För sågning i mjukt stål, aluminium och hårt trä.
II	Sågning i en medelstor cirkel	För sågning i trä och plywood. För snabb sågning i aluminium och mjukt stål.
III	Sågning i en stor cirkel	För snabb sågning i trä och plywood.

## Tända frontlampan

**⚠ FÖRSIKTIGT:** Titta inte in i ljuset eller direkt i ljuskällan.

Tryck på läs-/uppläsningsknappen för att släcka lampan. Tryck på läs-/uppläsningsknappen igen för att tända lampan.

► **Fig.4:** 1. Lampa 2. Läs-/uppläsningsknapp

**OBSERVERA:** Lampan blinkar när verktyget är överhettat. Låt verktyget svalna fullständigt innan det används igen.

**OBS:** Använd en torr trasa för att torka bort smuts från lampglaset. Var försiktig så att inte lampglaset repas eftersom ljuset då kan bli svagare.

## Avtryckarens funktion

Tryck på läs-/upplåsningsknappen för att starta maskinen. Maskinen går till standby-läge. För att starta maskinen i standby-läge, tryck på start-/stopppknappen. Tryck en gång till på start-/stopppknappen för att stoppa maskinen. Maskinen går till standby-läge. För att stänga av maskinen i standby-läge, tryck på läs-/upplåsningsknappen.

► **Fig.5:** 1. Läs-/upplåsningsknapp 2. Start-/stopppknapp

**OBS:** Om maskinen lämnas i 10 sekunder utan några åtgärder i standbyläge, stängs maskinen automatiskt av och lampan släcks.

**OBS:** Du kan även stoppa och stänga av maskinen genom att trycka på läs-/upplåsningsknappen när maskinen används.

Minska lampans ljusstyrka genom att hålla läs-/upplåsningsknappen intryckt samtidigt som du slår på verktyget i standbyläget. Cirka 1 sekund efter det att du börjat trycka på läs-/upplåsningsknappen kommer lampans ljusstyrka att börja minska. Släpp läs-/upplåsningsknappen när du nått önskad ljusstyrka. Verktyget övergår då även till standbyläget. Cirka 3 sekunder efter det att du börjat trycka på läs-/upplåsningsknappen har lampans ljusstyrka minimerats och ändras inte efter det.

**OBS:** Lampans ljusstyrka kan inte ändras när verktyget är i standbyläge. Stäng av verktyget för att justera lampans ljusstyrka.

**OBS:** Det finns ingen minnesfunktion för lampans ljusstyrka. Om du stänger av lampen och slår på den igen maximeras lampans ljusstyrka varje gång.

## Ratt för hastighetsinställning

Maskinhastigheten kan ställas in genom att vrida på ratten för hastighetsinställning. Hastigheten blir högst vid 5 och lägst vid 1.

► **Fig.6:** 1. Ratt för hastighetsinställning

Se tabellen för att välja rätt hastighet för det arbetsstycke som skall sågas. Lämplig hastighet kan dock variera beroende på arbetsstyckets tjocklek. Generellt sett kan du med en högre hastighet såga stycken snabbare, men livslängden för sticksågbladet minskar.

Arbetsstycke	Nummer
Trä	4 - 5
Mjukt stål	3 - 5
Rostfritt stål	3 - 4
Aluminium	3 - 5
Plast	1 - 4

**OBSERVERA:** Ratten för hastighetsinställning kan endast vridas upp till 5 och tillbaka till 1. Tvinga den inte förbi 5 eller 1, eftersom hastighetsinställningen då kan sättas ur funktion.

## Elektronisk funktion

Maskinen är utrustad med elektroniska funktioner för enkel användning.

### Mjukstart

Mjukstartsfunktionen minimerar ryck vid uppstarten och gör att verktyget startar smidigt.

### Konstant hastighetskontroll

Elektronisk hastighetskontroll för att er hålla konstant hastighet. Det är möjligt att få en fin finish eftersom verktygets hastighet hålls konstant även vid belastning.

### Mjuk rotationsfunktion utan last

För att reducera vibrationerna och enkelt rikta in sticksågbladet efter såglinjen sänker verktyget automatiskt verktygets hastighet tills verktyget börjar såga i arbetsstycket när ratten för hastighetsinställning är inställd på 2 eller högre. När verktyget börjar såga i arbetsstycket ökar verktyget hastigheten till inställd hastighet och håller denna hastighet tills verktyget stannar.

**OBS:** När temperaturen är låg kanske denna funktion inte är tillgänglig. Dessutom kanske den här funktionen inte är tillgänglig beroende på material, sticksågblad och verktygets hastighet.

### Inaktivera eller aktivera funktionen mjuk rotation utan last

För att inaktivera eller aktivera funktionen mjuk rotation utan last, följ stegen nedan.

1. Se till att verktyget är avstängt.
2. Ställ in ratten för hastighetsinställning på "1".
3. Tryck på läs-/upplåsningsknappen för att starta verktyget.
4. Vrid ratten för hastighetsinställning till "5" och vrid den sedan tillbaka till "1".

Lampans blinkar två gånger för att indikera att funktionen mjuk rotation utan last är inaktiverad. Aktivera denna funktion igen genom att utföra samma procedur igen.

**OBS:** Om funktionen mjuk rotation utan last är inaktiverad blinkar lampan två gånger när verktyget slås på.

**OBS:** Du kan även inaktivera eller aktivera funktionen mjuk rotation utan last genom att ändra ratten för hastighetsinställning från "5" till "1" och sedan från "1" till "5".

## Elektronisk broms

Detta verktyg är försett med en elektrisk broms. Om verktyget upprepade gånger inte stannar snabbt efter att start-/stopppknappen eller läs-/upplåsningsknappen tryckts in, behöver verktyget servas på ett Makita-servicecenter.



## MONTERING

**⚠ FÖRSIKTIGT:** Se alltid till att maskinen är avstängd och batterikassetten borttagen innan du underhåller maskinen.

### Montering eller demontering av sticksågblad

**⚠ FÖRSIKTIGT:** Ta alltid bort spån och annat främmande material som sitter fast på sticksågbladet och/eller bladhållaren. Om du inte gör det kan det hända att sticksågbladet inte dras åt ordentligt med allvarliga personskador som följd.

**⚠ FÖRSIKTIGT:** Rör inte sticksågbladet eller arbetsstycket direkt efter avslutat arbete. De kan vara extremt varma och orsaka brännskador.

**⚠ FÖRSIKTIGT:** Fäst alltid sticksågbladet ordentligt. Om sticksågbladet inte fästs ordentligt kan det brytas av eller leda till allvarliga personskador.

**⚠ FÖRSIKTIGT:** Använd endast sticksågblad av typ B. Om någon annan typ av sticksågblad än B används kanske sticksågbladet inte dras åt ordentligt med allvarliga personskador som följd.

**⚠ FÖRSIKTIGT:** Var försiktig när du tar bort sticksågbladet så att du inte skadar dina fingrar på sticksågbladets yttersta del eller arbetsstyckets spets.

Se till att bladklämmans spak står i frigjort läge innan sticksågbladet monteras.

Montera sticksågbladet genom att föra in det (sågtänderna riktade framåt) i bladhållaren på sticksågbladet. Bladklämmans spak flyttar sig till sitt låsta läge och låser fast sticksågbladet. Se till att sticksågbladets bakre kant passas in i rullen. Dra i sticksågbladet försiktigt för att kontrollera att det inte ramlar ur under användning.

► **Fig. 7:** 1. Bladhållare på sticksågblad  
2. Bladklämmans spak (oläst läge)  
3. Bladklämmans spak (låst läge)

► **Fig. 8:** 1. Bladhållare på sticksågblad  
2. Sticksågblad 3. Rulle

**⚠ FÖRSIKTIGT:** Om bladklämmans spak inte flyttar sig till sitt låsta läge är sticksågbladet inte rätt monterat. Tryck inte manuellt bladklämmans spak till det låsta läget. Det kan skada verktyget.

Ta bort sticksågbladet genom att trycka bladklämmans spak framåt så långt det går. Då frigörs sticksågbladet.

► **Fig. 9:** 1. Bladhållare på sticksågblad  
2. Bladklämmans spak 3. Sticksågblad

**OBS:** Ändra omkopplingsreglaget för sågfunktion till läget "III" och flytta hållaren för sticksågbladet till botten om det är svårt att ta bort sticksågbladet. Flytta hållaren för sticksågbladet till botten genom att föra tillbaka bladklämmans spak helt till det fasta läget en gång och slå på verktyget något flera gånger.

**OBS:** Smörj stödrullen då och då.

## Förvaring av insexnyckel

Förvara insexnyckeln enligt figuren när den inte används så att du alltid har den till hands.

► **Fig. 10:** 1. Insexnyckel

## ANVÄNDNING

**⚠ FÖRSIKTIGT:** Håll alltid bottenplattan plant mot arbetsstycket. I annat fall kan sticksågbladet brytas av och ge upphov till allvarliga personskador.

**⚠ FÖRSIKTIGT:** För maskinen mycket långsamt framåt vid kurv- eller spiralsågning. Tvinga aldrig maskinen eftersom detta kan leda till att sågytan blir sned och att sticksågbladet bryts av.

Slå på verktyget utan att sticksågbladet vidrör arbetsstycket och vänta tills sticksågbladet uppnår full hastighet. Vila sedan bottenplattan plant mot arbetsstycket, och för verktyget långsamt framåt längs den i förväg utmärkta såglinjen.

► **Fig. 11:** 1. Såglinje 2. Bottenplatta

## Vinkelsågning

**⚠ FÖRSIKTIGT:** Se alltid till att maskinen är avstängd och att batterikassetten är urtagen innan bottenplattan lutas åt sidan.

Med bottenplattan lutad åt sidan kan du utföra vinkelsågning vid valfri vinkel mellan 0° och 45° (vänster eller höger).

► **Fig. 12**

Lossa skruven på bottenplattans undersida med en insexnyckel. Flytta bottenplattan så att skruven positioneras mitt i den korsformade skåran i bottenplattan.

► **Fig. 13:** 1. Insexnyckel 2. Skruv 3. Bottenplatta

Luta bottenplattan tills önskad fäsvinkel uppnås. Motorhusets kant indikerar fäsvinkeln mot graderingen. Dra sedan åt skruven för att fästa bottenplattan.

► **Fig. 14:** 1. Kant 2. Gradering

## Sågning mot vägg

Lossa bulten på bottenplattans undersida med insexnyckeln, och skjut sedan bottenplattan helt bakåt. Dra sedan åt bulten för att fästa bottenplattan.

► **Fig. 15:** 1. Insexnyckel 2. Bult 3. Bottenplatta

## Utsågning

Utsågning kan utföras med endera av två metoder: "Borra ett starthål" eller "Hålsågning".

### Borra ett starthål

Förborra ett starthål på minst 12 mm i diameter för att göra en utsågning utan att behöva såga in från kanten av arbetsstycket. Sätt i sticksågbladet i hålet och genomför utsågningen.

► **Fig. 16**



## Hålsågning

Du behöver inte förborra ett hål eller såga dig in från kanten om du försiktigt gör enligt följande:

1. Lägg an bottenplattans framkant till arbetsstycket och luta verktyget med sticksågbladets spets placerad precis ovanför arbetsstyckets yta.
2. Tryck mot maskinen så att bottenplattans framkant inte rör sig när maskinen sätts på, och sänk maskinens bakända långsamt och försiktigt.
3. Sänk sakta maskinens bottenplatta mot arbetsstyckets yta när sticksågbladet börjar såga igenom arbetsstycket.
4. Genomför sågningen på vanligt sätt.  
► **Fig.17**

## Tilljämning av kanter

Låt sticksågbladet lätt följa kanterna för att jämna till dem eller för att göra smärre justeringar av arbetsstyckets storlek.

► **Fig.18**

## Metallsågning

Använd alltid en lämplig kylvätska (sågolja) vid metallsågning. I annat fall kommer sticksågbladet att slitas kraftigt. Istället för att använda ett kylmedel kan arbetsstyckets undersida fettas in.

## Dammuppsugning

### Montera eller demontera dammskydd

Montera dammskyddet enligt bilden.

► **Fig.19:** 1. Dammskydd

För att ta bort dammskyddet trycker du på ena sidan av dammskyddet och tar bort det enligt bilden.

► **Fig.20:** 1. Dammskydd

### Montera eller demontera dammunstycke

Du kan ansluta det här verktyget till en dammsugare från Makita genom att montera dammunstycket.

För in dammunstycket hela vägen in i maskinen.

► **Fig.21:** 1. Dammunstycke

För att ta bort dammunstycke drar du ut det samtidigt som du trycker in knappen på dammunstycket.

► **Fig.22:** 1. Knapp 2. Dammunstycke

### Ansluta maskinen till en dammsugare

Anslut dammsugarsslangen till dammunstycket.

► **Fig.23**

## Parallellanslag

### Valfria tillbehör

**⚠FÖRSIKTIGT:** Se alltid till att maskinen är avstängd och att batterikassetten är urtagen innan tillbehör monteras eller tas bort.

### Rak sågning

Ett parallellanslag kan användas vid upprepad sågning av arbetsstycken som är 160 mm breda eller smalare för att få snabb, ren och rak sågning.

► **Fig.24:** 1. Parallellanslag (anslagsskena)

Montera genom att föra in stängdelen i det fyrkantiga hålet i bottenplattan med anslagsdelen vänd nedåt. Skjut parallellanslaget till läget för den önskade sågbredden och fäst det sedan genom att dra åt skruven.

► **Fig.25:** 1. Insexnyckel 2. Skruv 3. Parallellanslag (anslagsskena)

### Cirkelsågning

Montera parallellanslaget enligt nedan vid sågning av cirklar eller bågar med en radie på 170 mm eller mindre.

► **Fig.26:** 1. Parallellanslag (anslagsskena)

**⚠FÖRSIKTIGT:** Rör inte vid spetsen på cirkelanslaget. Den vassa spetsen på cirkelanslaget kan orsaka personskada.

1. För in stängdelen i det fyrkantiga hålet i bottenplattan med anslagsdelen vänd uppåt.

2. För in cirkelanslaget genom det ena av de två hålen i anslagsdelen. Skruva på den gängade knoppen på cirkelanslaget för att fästa cirkelanslaget.

► **Fig.27:** 1. Gängad knopp 2. Parallellanslag (anslagsskena) 3. Cirkelanslag 4. Bult 5. Insexnyckel

3. Skjut parallellanslaget till den önskade sågradien, och fäst det på plats genom att dra åt bulten.

**OBS:** Använd alltid sticksågblad B-17, B-18, B-26 eller B-27 vid sågning i cirkel eller båge.

## Flisningsskydd

### Extra tillbehör

**⚠FÖRSIKTIGT:** Flisningsskyddet kan inte användas vid vinkelsågning.

Flisningsskydd kan användas för flisfri sågning. Montera flisningsskyddet genom att föra maskinens bottenplatta hela vägen framåt och sedan passa in den på bottenplattans undersida. Om du använder skyddsplattan ska flisningsskyddet monteras på skyddsplattan.

► **Fig.28:** 1. Bottenplatta 2. Flisningsskydd

## Skyddsplatta

Använd skyddsplattan vid sågning av dekorationsfanér, plastmaterial etc. Plattan gör att känsliga eller ömtåliga ytor skyddas mot yttre skador. Passa in den på verktygets bottenplatta.

► **Fig.29:** 1. Skyddsplatta 2. Bottenplatta

## Adaptersats för styrskena

### Extra tillbehör

Vid sågning av material som ska vara parallella och med samma bredd, eller vid sågning av raka linjer, kan styrskenan och adaptern för styrskenan säkerställa snabba och rena sågarbeten. Montera adapter för styrskena genom att föra in sidoanslaget i det fyrkantiga hålet i bottenplattan så långt det går. Dra åt skruven ordentligt med insexnyckeln.

► **Fig.30:** 1. Insexnyckel 2. Sidoanslag 3. Bult

För in sidoanslaget i det fyrkantiga hålet för adaptern för styrskenan. Montera adaptern för styrskenan på styrskenan.

► **Fig.31:** 1. Adapter för styrskena 2. Styrskena 3. Skruv

**OBSERVERA:** Använd alltid sticksågbladnummer B-8, B-13, B-16, B-17 eller 58 vid användning av styrskena och adapter för styrskena.

## UNDERHÅLL

**⚠ FÖRSIKTIGT:** Se alltid till att maskinen är avstängd och batterikassetten borttagen innan inspektion eller underhåll utförs.

**OBSERVERA:** Använd inte bensin, förtunningsmedel, alkohol eller liknande. Missfärgning, deformation eller sprickor kan uppstå.

För att upprätthålla produktens SÄKERHET och TILLFÖRLITLIGHET bör allt underhålls- och justeringsarbete utföras av ett auktoriserat Makita servicecenter och med reservdelar från Makita.

## VALFRIA TILLBEHÖR

**⚠ FÖRSIKTIGT:** Följande tillbehör eller tillsatser rekommenderas för användning med den Makita-maskin som denna bruksanvisning avser. Om andra tillbehör eller tillsatser används kan det uppstå risk för personskador. Använd endast tillbehören eller tillsatserna för de syften de är avsedda för.

Kontakta ditt lokala Makita servicecenter om du behöver ytterligare information om dessa tillbehör.

- Sticksågsblad
- Parallellanslagssats (anslagsskena)
- Adaptersats för styrskena
- Flisningsskydd
- Skyddsplatta
- Dammunstycke
- Dammskydd
- Makitas originalbatteri och -laddare

**OBS:** Några av tillbehören i listan kan vara inkluderade i maskinpaketet som standardtillbehör. De kan variera mellan olika länder.

## TEKNISKE DATA

<b>Modell:</b>		<b>DJV185</b>
Slaglengde		23 mm
Slag per minutt		800–3 000 min <sup>-1</sup>
Bladtype		B type
Maks. skjærekapasitet	Tre	135 mm
	Bløtt stål	10 mm
	Aluminium	20 mm
Samlet lengde (med BL1860B)		259 mm
Nominell spenning		DC 18 V
Nettovekt		2,0–2,3 kg

- På grunn av vårt kontinuerlige forsknings- og utviklingsprogram kan spesifikasjonene som oppgis i dette dokumentet endres uten varsel.
- Spesifikasjonene kan variere fra land til land.
- Vekten kan variere avhengig av tilbehøret/tilbehørene, inkludert batteriet. Den letteste og tyngste kombinasjonen, i henhold til EPTA-prosedyre 01/2014, vises i tabellen.

## Passende batteri og lader

Batteriinnsats	BL1815N / BL1820B / BL1830B / BL1840B / BL1850B / BL1860B
Lader	DC18RC / DC18RD / DC18RE / DC18SD / DC18SE / DC18SF / DC18SH / DC18WC

- Noen av batteriene og laderne som er opplistet ovenfor er kanskje ikke tilgjengelige, avhengig av hvor du bor.

**⚠ ADVARSEL:** Bruk kun de batteriene og laderne som er opplistet ovenfor. Bruk av andre batterier og ladere kan føre til personskader og/eller brann.

## Riktig bruk

Verktøyet er laget for å sage i tre-, plast- og metallmaterialer.

## Støy

Typisk A-vektet lydtryknivå er bestemt i henhold til EN62841-2-11:

Lydtryknivå ( $L_{pA}$ ): 84 dB (A)

Lydeffektnivå ( $L_{WA}$ ): 95 dB (A)

Usikkerhet (K): 3 dB (A)

**MERK:** Den/de oppgitte verdien(e) for genererte vibrasjoner har blitt målt i henhold til standard testmetoder, og kan bli brukt til å sammenligne ett verktøy med et annet.

**MERK:** Den/de angitte verdien(e) for de genererte vibrasjonene kan også brukes til en foreløpig vurdering av eksponeringen.

**⚠ ADVARSEL:** Bruk hørselsvern.

**⚠ ADVARSEL:** De genererte vibrasjonene ved faktisk bruk av elektroverktøyet kan avvike fra den/de angitte vibrasjonsverdien(e), avhengig av hvordan verktøyet brukes.

**⚠ ADVARSEL:** Sørg for å identifisere vernetiltak for å beskytte operatøren, som er basert på et estimat av eksponeringen under de faktiske bruksforholdene (idet det tas hensyn til alle deler av driftssyklusen, dvs. hvor lenge verktøyet er slått av, hvor lenge det går på tomgang og hvor lenge startbryteren faktisk holdes trykket).

## Vibrasjoner

Den totale vibrasjonsverdien (triaksial vektorsum) bestemt i henhold EN62841-2-11:

Arbeidsmodus: Skjærefølger

Genererte vibrasjoner ( $a_{h,B}$ ): 10,3 m/s<sup>2</sup>

Usikkerhet (K): 1,7 m/s<sup>2</sup>

Arbeidsmodus: Kutting av metallplater

Genererte vibrasjoner ( $a_{h,M}$ ): 9,0 m/s<sup>2</sup>

Usikkerhet (K): 1,5 m/s<sup>2</sup>

**MERK:** Den/de oppgitte verdien(e) for totalt genererte vibrasjoner har blitt målt i henhold til standard testmetoder, og kan bli brukt til å sammenligne ett verktøy med et annet.

**MERK:** Den/de angitte verdien(e) for totalt genererte vibrasjoner kan også brukes til en foreløpig vurdering av eksponeringen.

**⚠ ADVARSEL:** De genererte vibrasjonene ved faktisk bruk av elektroverktøyet kan avvike fra den/de angitte vibrasjonsverdien(e), avhengig av hvordan verktøyet brukes og spesielt i forhold til arbeidsstykket som blir behandlet.

**⚠ ADVARSEL:** Sørg for å identifisere vernetiltak for å beskytte operatøren, som er basert på et estimat av eksponeringen under de faktiske bruksforholdene (idet det tas hensyn til alle deler av driftssyklusen, dvs. hvor lenge verktøyet er slått av, hvor lenge det går på tomgang og hvor lenge startbryteren faktisk holdes trykket).

## Samsvarserklæringer

### Gjelder kun for land i Europa

Samsvarserklæringene er lagt til som vedlegg A i denne bruksanvisningen.

## SIKKERHETSADVARSEL

### Generelle advarsler angående sikkerhet for elektroverktøy

**⚠ ADVARSEL** Les alle sikkerhetsadvarsler, instruksjoner, illustrasjoner og spesifikasjoner som følger med dette elektroverktøyet. Hvis ikke alle instruksjonene nedenfor følges, kan det føre til elektrisk støt, brann og/eller alvorlig personskade.

### Oppbevar alle advarsler og instruksjoner for senere bruk.

Uttrykket «elektrisk verktøy» i advarslene refererer både til elektriske verktøy (med ledning) tilkoblet strømmen, og batteridrevne verktøy (uten ledning).

### Sikkerhetsanvisninger for batteridrevet stikksag

1. **Hold maskinen i det isolerte håndtaket når skjæreverktøyet kan komme i kontakt med skjulte ledninger under arbeidet.** Hvis kutteutstyret kommer i kontakt med «strømførende» ledninger, kan ikke isolerte metaldeler i maskinen bli «strømførende», og vil kunne gi brukeren elektrisk støt.
2. **Bruk tvinger, eller en annen praktisk måte for å sikre og støtte arbeidsstykket på en stabil plattform.** Hvis du holder det med hånden eller mot kroppen, kan det være ustabil og føre til at du mister kontrollen.
3. **Du må alltid bruke vernebriller eller ansiktsvern.** Vanlige briller og solbriller er IKKE vernebriller.

4. **Unngå å skjære i spiker.** Se etter om det er spikre i arbeidsstykket, og fjern dem før du begynner arbeidet.
5. **Ikke skjær for store arbeidsstykker.**
6. **Sjekk at det er plass nok rundt arbeidsstykket før du begynner sagingen, så ikke løvbladet treffer gulvet, arbeidsbenken e.l.**
7. **Hold godt fast i verktøyet.**
8. **Forviss deg om at løvbladet ikke er i kontakt med arbeidsstykket for du slår på bryteren.**
9. **Hold hendene unna bevegelige deler.**
10. **Ikke gå fra verktøyet mens det er i gang. Verktøyet må bare brukes mens operatøren holder det i hendene.**
11. **Før du fjerner løvbladet fra arbeidsstykket må du alltid slå av sagingen og vente til løvbladet har stoppet helt.**
12. **Ikke ta i løvbladet eller arbeidsstykket rett etter saging. De kan være ekstremt varme, og du kan brenne deg.**
13. **Ikke bruk maskinen uten belastning hvis det ikke er nødvendig.**
14. **Enkelte materialer inneholder kjemikalier som kan være giftige. Vær nøye med å hindre hudkontakt og innånding av støv. Følg leverandørens sikkerhetsanvisninger.**
15. **Bruk alltid riktig støvmaske/pustemaske for materialet og bruksområdet du arbeider med.**

## TA VARE PÅ DISSE INSTRUKSENE.

**⚠ ADVARSEL:** IKKE LA hensynet til hva som er "behagelig" eller det faktum at du kjenner produktet godt (etter mange gangers bruk) gjøre deg mindre oppmerksom på sikkerhetsreglene for bruken av det aktuelle produktet. Ved MISBRUK eller hvis ikke sikkerhetsreglene i denne bruksanvisningen følges, kan det oppstå alvorlig personskade.

### Viktige sikkerhetsanvisninger for batteriinnsetts

1. **Før du begynner å bruke batteriet, må du lese alle anvisninger og forsiktighetsregler på (1) batteriladeren, (2) batteriet og (3) det produktet batteriet skal brukes i.**
2. **Ikke demonter eller tukle batteriet.** Det kan føre til brann, overoppheting eller eksplosjon.
3. **Hvis driftstiden er blitt vesentlig kortere, må du omgående slutte å bruke maskinen.** Hvis ikke kan resultatet bli overoppheting, mulige forbrenninger eller til og med en eksplosjon.
4. **Hvis du får elektrolytt i øynene, må du skylle dem med store mengder rennende vann og oppsøke lege med én gang.** Denne typen uhell kan føre til varig blindhet.
5. **Ikke kortslutt batteriet:**
  - (1) De kan være ekstremt varme og du kan brenne deg.
  - (2) Ikke lagre batteriet i samme beholder som andre metallgjenstander, som for eksempel spiker, mynter osv.
  - (3) Ikke la batteriet komme i kontakt med vann eller regn.

En kortslutning av batteriet kan føre til et kraftig strømstøt, overoppvarming, mulige forbrenninger og til og med til at batteriet går i stykker.

- Ikke oppbevar og bruk verktøyet og batteriet på steder hvor temperaturen kan komme opp eller overskride 50 °C.
- Ikke sett fyr på batteriet, ikke engang om det er sterkt skadet eller helt utslitt. Batteriet kan eksplodere hvis det begynner å brenne.
- Du må ikke spikre, skjære, klemme, kaste eller miste batteriet, og heller ikke slå en hard gjenstand mot batteriet. En slik oppførsel kan føre til brann, overoppheting eller eksplosjon.
- Ikke bruk batterier som er skadet.
- Lithium-ion-batteriene som medfølger er gjenstand for krav om spesialavfall.  
For kommersiell transport, f.eks av tredjeparter eller speditører, må spesielle krav om pakking og merking følges.  
Før varen blir sendt, må du forhøre deg med en ekspert på farlig materiale. Ta også hensyn til muligheten for mer detaljerte nasjonale bestemmelser.  
Bruk teip eller maskeringsteip for å skjule åpne kontakter og pakk inn batteriet på en slik måte at den ikke kan bevege seg rundt i emballasjen.
- Når du kasserer batteriinnnsatsen, må du ta den ut av verktøyet og avhende den på et sikkert sted. Følg lokale bestemmelser for avhengig av batterier.
- Bruk batteriene kun med produkter spesifisert av Makita. Montere batteriene i produkter som ikke er konforme kan føre til brann, overheting eller elektrolyttlekkasje.
- Hvis verktøyet ikke skal brukes over en lengre periode, må batteriet tas ut av verktøyet.
- Under og etter bruk kan batteriet bli varmt og før til brannskader. Vær forsiktig med håndteringen av varme batterier.
- Ikke berører terminalen på verktøyet rett etter bruk, da den kan bli varm og forårsake brannskader.
- Ikke la spon, støv eller jord sette seg fast i terminalene, hullene og sporene i batteriet. Det kan føre til at batteriet eller verktøyet blir overopphetet, begynner å brenne, sprekker eller ikke fungerer som det skal, og forårsake brannskader eller personskade.
- Med mindre verktøyet støtter bruk nær en høyspent strømlinje, skal ikke batteriet brukes nær en høyspent strømlinje. Det kan føre til en funksjonsfeil eller at verktøyet eller batteriet slutter å fungere.
- Oppbevar batteriet utilgjengelig for barn.

## TA VARE PÅ DISSE INSTRUKSENE.

**⚠FORSIKTIG:** Bruk kun originale Makita-batterier. Bruk av batterier som har endret seg, eller som ikke er originale Makita-batterier, kan føre til at batteriet sprekker og forårsaker brann, personskader og andre skader. Det vil også ugyldiggjøre garantien for Makita-verktøyet og -laderen.

## Tips for å opprettholde maksimal batterilevetid

- Lad batteriinnnsatsen før den er helt utladet. Stopp alltid driften av verktøyet og lad batteriinnnsatsen når du merker at effekten reduseres.
- Lad aldri en batteriinnnsats som er fulladet. Overopplading forkorter batteriets levetid.
- Lad batteriet i romtemperatur ved 10 °C - 40 °C. Et varmt batteri må kjøles ned før lading.
- Når batteriet ikke er bruk, skal det tas ut av verktøyet eller laderen.
- Lad batteriet hvis det ikke har vært brukt på en lang stund (over seks måneder).

## FUNKSJONSBESKRIVELSE

**⚠FORSIKTIG:** Forviss deg alltid om at maskinen er slått av og batteriet tatt ut før du justerer maskinen eller kontrollerer dens mekaniske funksjoner.

### Sette inn eller ta ut batteri

**⚠FORSIKTIG:** Slå alltid av verktøyet før du setter inn eller fjerner batteriet.

**⚠FORSIKTIG:** Hold verktøyet og batteripatronen i et fast grep når du monterer eller fjerner batteripatronen. Hvis du ikke holder verktøyet og batteripatronen godt fast, kan du miste grepet, og dette kan føre til skader på verktøyet og batteripatronen samt personskader.

Når du skal sette inn batteriet, må du plassere tungen på batteriet på linje med sporet i huset og skyve batteriet på plass. Skyv det helt inn til det går i inngrep med et lite klikk. Hvis du kan se den røde indikatoren som vist i figuren, er det ikke helt låst.

For å ta ut batteriet må du skyve på knappen foran på batteriet og trekke det ut.

► Fig.1: 1. Rød indikator 2. Knapp 3. Batteriinnsets

**⚠FORSIKTIG:** Batteriet må alltid settes helt inn, så langt at den røde indikatoren ikke lenger er synlig. Hvis dette ikke gjøres, kan batteriet falle ut av verktøyet og skade deg eller andre som oppholder seg i nærheten.

**⚠FORSIKTIG:** Ikke bruk makt når du setter i batteriet. Hvis batteriet ikke glir lett inn, er det fordi det ikke settes inn på riktig måte.

## Batterivernsystem for verktøy/batteri

Verktøyet er utstyrt med et batterivernsystem for verktøy/batteri. Dette systemet kutter automatisk strømmen til motoren for å forlenge verktøyet og batteriets levetid. Verktøyet stopper automatisk under drift hvis verktøyet eller batteriet utsettes for en av følgende tilstander:

## Overlastsikring

Når verktøyet eller batteriet brukes på en måte som gjør at det bruker unormalt mye strøm, vil verktøyet stanse automatisk og uten forvarsel. I denne situasjonen må du slå av verktøyet og stanse bruken som forårsaket at verktøyet ble overbelastet. Slå deretter verktøyet på for å starte det igjen.

## Overopphetingsvern

Når verktøyet eller batteriet er overopphetet, stanser maskinen automatisk, og lampen blinker. I dette tilfellet, la verktøyet og batteriet avkjøles før du starter verktøyet på nytt.

## Overutladingsvern

Verktøyet stopper automatisk når batterikapasiteten blir utilstrekkelig. I dette tilfellet tar du batteriet ut av verktøyet og lader batteriet.

## Vern mot andre årsaker

Vernesystemet er også laget for beskyttelse av andre grunner som kan skade verktøyet og gjøre at det stanser automatisk. Ta alle de følgende forholdsreglene for å fjerne årsakene til at verktøyet har stanset midlertidig mens det er i drift.

1. Skru av verktøyet og sår skruer du verktøyet på igjen for å starte på nytt.
2. Lad opp batteriet/ene eller skift det/dem ut med oppladde batteri(er).
3. La både verktøyet og batteriet/ene kjøle seg ned.











Hvis det ikke blir noen bedring ved å gjenopprette vernesystemet, ta kontakt med det lokale Makita servicesenteret.

## Indikere gjenværende batterikapasitet

### Kun for batterier med indikatoren

Trykk på sjekk-knappen på batteriet for vise gjenværende batterikapasitet. Indikatorlampene lyser i et par sekunder.

► **Fig.2:** 1. Indikatorlamper 2. Kontrollknapp

Indikatorlamper			Gjenværende batterinivå
Tent	Av	Blinker	
			
			75 % til 100 %
			50 % til 75 %
			25 % til 50 %
			0 % til 25 %
			Lad batteriet.
	 ↑ ↓ 		Batteriet kan ha en feil.

**MERK:** Det angitte nivået kan avvike noe fra den faktiske kapasiteten alt etter bruksforholdene og den omgivende temperaturen.

**MERK:** Den første (helt til venstre) indikatorlampen vil blinke når batterivernsystemet fungerer.

## Velg skjærefunksjon

Dette verktøyet kan skjære i ring eller i rett linje (opp og ned). Den sirkulære sagebevegelsen skyver bladet forover og øker sagehastigheten.

► **Fig.3:** 1. Funksjonsvelgerspaken

For å endre skjærefunksjon må du dreie funksjonsvelgerspaken til posisjon for ønsket skjærefunksjon. Se tabellen for valg av riktig skjærefunksjon.

Posisjon	Skjærefunksjon	Bruksområde
0	Funksjonen skjæring i rett linje	For skjæring i bløtt stål, rustfritt stål og plast. For ren skjæring i tre og kryssfinér.
I	Skjæring i liten bane	For skjæring i bløtt stål, aluminium og hardt tre.
II	Skjæring i mellomstor bane	Skjæring i tre og kryssfinér. For rask skjæring i aluminium og mildt stål.
III	Skjæring i stor bane	For rask skjæring i tre og kryssfinér.

## Tenne frontlampen

**⚠FORSIKTIG:** Ikke se inn i lyset eller se direkte på lyskilden.

Slå på lampen ved å trykke på sperreknappen. Slå av lampen ved å trykke på sperreknappen igjen.

► **Fig.4:** 1. Lampe 2. Sperreknapp

**OBS:** Lampen blinker når verktøyet er overopphetet. Kjøl ned verktøyet helt før du bruker det igjen.

**MERK:** Bruk en tørr klut til å tørke støv osv. av lampelinsen. Vær forsiktig så det ikke blir riper i lampelinsen, da dette kan redusere lysstyrken.

## Bryterfunksjon

Slå på maskinen ved å trykke på sperreknappen. Maskinen går til ventemodus. Start maskinen med å trykke på start/stopp-knappen i ventemodus. Stopp maskinen ved å trykke på start/stopp-knappen igjen. Maskinen går til ventemodus. Slå av maskinen med å trykke på sperreknappen i ventemodus.

► **Fig.5:** 1. Sperreknapp 2. Start/stopp-knapp

**MERK:** Hvis maskinen er inaktiv i ventemodus i mer enn 10 sekunder, slår maskinen seg av automatisk, og lampen slukkes.

**MERK:** Du kan også stoppe og slå av maskinen ved å trykke på sperreknappen mens maskinen er i drift.

For å redusere lysstyrken, trykker og holder du inne sperrebryteren når du veksler til ventemodus. Omtrent 1 sekund etter at du har begynt å trykke på sperrebryteren reduseres lysstyrken til lampen. Slipp sperrebryteren når du når ønsket lysstyrke. Den aktiverer også ventemodusen for verktøyet. Omtrent 3 sekunder etter at du har begynt å trykke på sperrebryteren minimeres lysstyrken til lampen, og lysstyrken endres ikke etter dette.

**MERK:** Lysstyrken til lampen kan ikke justeres mens verktøyet er i ventemodus. Slå av verktøyet for å justere lysstyrken til lampen.

**MERK:** Det er ingen minnefunksjon for lysstyrke på lampa. Hvis du slår lampa av og deretter slår den på igjen, vil lysstyrken på lampa bli maksimert hver gang.

## Hastighetsinnstillingshjul

Verktøyhastigheten kan justeres ved å dreie på hastighetsinnstillingshjulet. 5 er høyeste hastighet og 1 er laveste hastighet.

► **Fig.6:** 1. Hastighetsinnstillingshjul

Se tabellen for valg av riktig hastighet for arbeidsstykket som skal skjæres. Riktig hastighet kan imidlertid variere avhengig av typen arbeidsstykke eller tykkelsen på det. Generelt gjør høyere hastigheter det mulig å skjære raskere, men løvbladets levetid vil bli redusert.

Arbeidsstykke	Tall
Tre	4 - 5
Bløtt stål	3 - 5
Rustfritt stål	3 - 4
Aluminium	3 - 5
Plast	1 - 4

**OBS:** Hastighetsinnstillingshjulet kan kun dreies til 5 og så tilbake til 1. Ikke prøv å tvinge det forbi 5 eller 1, da det kan føre til at hastighetsinnstillingsfunksjonen slutter å virke.

## Elektronisk funksjon

Verktøyet er utstyrt med de elektroniske funksjonen for å gjøre det enkelt å bruke.

### Myk start

Mykstartfunksjonen reduserer oppstartssjokket til et minimum, og gjør at verktøyet starter mykt.

### Konstant hastighetskontroll

Elektronisk hastighetskontroll for å oppnå konstant hastighet. Det er mulig å oppnå fin overflate fordi verktøyets hastighet holdes konstant selv under belastning.

### Funksjon for myk rotasjon uten belastning

For å redusere vibrasjonen og innrette løvbladet med skjærelinjen på en enkel måte, reduserer verktøyet automatisk hastigheten til verktøyet begynner å skjære i arbeidsstykket når hastighetsinnstillingshjulet er stilt inn på 2 eller høyere. Når verktøyet begynner å skjære i arbeidsstykket, vil verktøyhastigheten nå den forhåndsinnstilte hastigheten, og det holder denne hastigheten til verktøyet stanser.

**MERK:** Det kan hende at denne funksjonen ikke er tilgjengelig ved lav temperatur. Avhengig av materialet, løvbladet og verktøyhastigheten kan det også hende at denne funksjonen ikke er tilgjengelig.

## Deaktivere eller aktivere funksjonen for myk rotasjon uten belastning

Hvis du vil deaktivere eller aktivere funksjonen for myk rotasjon uten belastning, følger du trinnene nedenfor.

1. Kontroller at verktøyet er slått av.
2. Sett hastighetsinnstillingshjulet på "1".
3. Slå på verktøyet ved å trykke på sperreknappen.
4. Sett hastighetsinnstillingshjulet på "5" ved å dreie på det, og sett det deretter på "1" ved å dreie det tilbake.

Lampen blinker to ganger for å angi at funksjonen for myk rotasjon uten belastning er deaktivert. Hvis du vil aktivere denne funksjonen igjen, følger du samme fremgangsmåte på nytt.

**MERK:** Hvis funksjonen for myk rotasjon uten belastning er deaktivert, blinker lampen to ganger når verktøyet slås på.

**MERK:** Du kan også deaktivere eller aktivere funksjonen for myk rotasjon uten belastning ved å flytte hastighetsinnstillingshjulet fra "5" til "1" og flytte det fra "1" til "5".

## Elektrisk brems

Dette verktøyet er utstyrt med elektrisk brems. Hvis maskinen gjenatte ganger ikke stopper raskt når det trykkes på start/stopp-knappen eller sperreknappen, må du få gjennomført service ved et Makita servicesenter.

## MONTERING

**⚠FORSIKTIG:** Forvis deg alltid om at maskinen er slått av og batteriet tatt ut før du utfører noe arbeid på maskinen.

### Montere eller fjerne sagbladet

**⚠FORSIKTIG:** Pass alltid på å fjerne flis og fremmedlegemer som kleber seg til løvbladet og/eller bladholderen. Hvis dette ikke gjøres, kan det bli vanskelig å stramme løvbladet ordentlig, noe som kan resultere i alvorlige personskader.

**⚠FORSIKTIG:** Du må ikke berøre sagbladet eller arbeidsstykket umiddelbart etter at arbeidet er utført. Disse kan være ekstremt varme og vil kunne forårsake brannskader.

**⚠FORSIKTIG:** Løvbladet må alltid sikres godt. Utilstrekkelig tilstramming av løvbladet kan forårsake brudd i bladet eller alvorlige personskader.

**⚠FORSIKTIG:** Bruk bare løvblader av type B. Bruk av andre bladtyper enn type B forårsaker utilstrekkelig stramming av løvbladet, og kan føre til alvorlige personskader.

**⚠FORSIKTIG:** Når du tar ut løvbladet, må du være forsiktig så du ikke skader fingrene dine med toppen av bladet eller kantene på arbeidsstykket.



Før du setter inn løvbladet, må du kontrollere at bladklemmespaken er i åpen stilling. Løvbladet installeres ved å sette løvbladet (tenner vendt forover) inn i løvbladholderen. Bladklemmespaken flytter seg til fast stilling, og løvbladet låses fast. Kontroller at bakkanten på løvbladet passer inn i rullen. Dra lett i løvbladet for å påse at det ikke vil falle av under drift.

► **Fig.7:** 1. Stikksagbladholder 2. Bladklemmespak (åpen stilling) 3. Bladklemmespak (fast stilling)

► **Fig.8:** 1. Løvbladholder 2. Løvblad 3. Ruller

**⚠FORSIKTIG:** Hvis bladklemmespaken ikke beveger seg til fast stilling, er ikke løvbladet satt helt inn. Ikke skyv bladklemmespaken til fast stilling for hånd. Dette kan skade verktøyet.

Hvis du vil ta ut løvbladet, skyver du bladklemmespaken fremover så langt den går. Dette frigjør løvbladet.

► **Fig.9:** 1. Løvbladholder 2. Bladklemmespak 3. Løvblad

**MERK:** Hvis det er vanskelig å ta av løvbladet, dreier du funksjonsvelgerspaken til posisjon "III" og flytter løvbladholderen til bunnen. For å flytte løvbladholderen til bunnen flytter du bladklemmespaken helt til fast stilling én gang, og slår verktøyet på en kort stund gjentatte ganger.

**MERK:** Smør rullen av og til.

## Oppbevaring av sekskantnøkkel

Når sekskantnøkkelen ikke er i bruk, må du oppbevare den som vist i figuren, slik at du ikke mister den.

► **Fig.10:** 1. Sekskantnøkkel

## BRUK

**⚠FORSIKTIG:** Hold alltid verktøyfoten sammen med arbeidsstykket. Gjør du ikke det, kan det resultere i at bladet brekker. Dette kan forårsake alvorlige personskader.

**⚠FORSIKTIG:** Skyv verktøyet veldig sakte frem når du sager kurver eller spiraler. Hvis du legger for mye press på verktøyet, kan det føre til at skjæreflata blir skjev og at sagbladet brekker.

Slå verktøyet på, uten at løvbladet er i kontakt med noe, og vent til løvbladet når full hastighet. Hvil verktøyfoten flatt på arbeidsstykket og beveg verktøyet forsiktig fremover langs den markerte skjærelinjen.

► **Fig.11:** 1. Skjærelinje 2. Fot

## Skråskjæring

**⚠FORSIKTIG:** Forviss deg alltid om at maskinen er slått av og batteriinnsetsen er tatt ut, før du vipper foten.

Med verktøyfoten vippet kan du gjennomføre skråskjæring i alle vinkler mellom 0° og 45° (venstre eller høyre).

► **Fig.12**

Løse skruen bak på verktøyfoten med sekskantnøkkelen. Flytt verktøyfoten, slik at skruen plasseres midt i det kryssformede sporet i verktøyfoten.

► **Fig.13:** 1. Sekskantnøkkel 2. Skru 3. Verktøyfot

Vipp basen til ønsket vinkel for skråskjæring oppnås. Kanten på motorhuset viser skråvinkelen med gradinndeling. Stram deretter til bolten for å feste verktøyfoten i ønsket vinkel.

► **Fig.14:** 1. Kant 2. Gradinndeling

## Rettfremskjæring

Løse bolten på bunnen av verktøyfoten med sekskantnøkkelen og skyv verktøyfoten helt tilbake. Stram deretter bolten for å feste verktøyfoten.

► **Fig.15:** 1. Sekskantnøkkel 2. Bolt 3. Fot

## Utsnitt

Utsnitt kan utføres med en av to metoder: "Bore et starthull" eller "Innstikk".

### Bore et starthull

For interne utsnitt uten innføringskutt fra en kant, må du forhåndsbore et starthull på 12 mm eller mer i diameter. Sett inn sagbladet i dette hullet for å starte sagingen.

► **Fig.16**

### Innstikk

Du trenger ikke å bore et starthull eller foreta et innføringskutt hvis du gjør følgende på en nøyaktig måte.

1. Hold forkanten av verktøyfoten inntil arbeidsstykket, og vipp verktøyet med løvbladspissen plassert rett over overflaten på arbeidsstykket.

2. Utøve trykk på verktøyet, slik at forkanten av verktøyfoten ikke beveger seg når du slår på verktøyet forsiktig og senker bakenden sakte.

3. Når sagbladet lager hull i arbeidsemnet, senker du verktøyfoten sakte ned mot overflaten på arbeidsemnet.

4. Fullfør kuttet på vanlig måte.

► **Fig.17**

## Finpusse kanter

For å pusse kanter eller foreta dimesjonsjusteringer må du kjøre sagbladet lett langs kantene.

► **Fig.18**



## Metallkutting

Når du sager i metall, må du alltid bruke et passende kjølemiddel (en passende sagolje). Hvis du ikke gjør det, vil sagbladet bli svært slitt. Undersiden av arbeidsemnet kan smøres med fett, istedet for å bruke kjølevæske.

## Støvoppsamler

### Montere eller fjerne støvdekselet

Monter støvdekselet som vist i figuren.

► **Fig.19:** 1. Støvdeksel

Hvis du vil fjerne støvdekselet, trykker du på én side av dekselet, og deretter fjerner du det som vist i figuren.

► **Fig.20:** 1. Støvdeksel

### Montere eller fjerne støvmunnstykket

Du kan koble dette verktøyet til en Makita-støvsuger ved å koble til støvmunnstykket.

Sett støvmunnstykket helt inn i verktøyet.

► **Fig.21:** 1. Støvmunnestykke

Hvis du vil fjerne støvmunnstykket, drar du ut støvmunnstykket mens du trykker på knappen på støvmunnstykket.

► **Fig.22:** 1. Knapp 2. Støvmunnestykke

### Koble verktøyet til støvsugeren

Koble støvsugerenes slange til støvmunnstykket.

► **Fig.23**

## Parallellanlegg

### Valgfritt tilbehør

**⚠FORSIKTIG:** Forviss deg alltid om at maskinen er slått av og batteriet tatt ut, før du monterer eller demonterer tilbehør.

### Rette kutt

Når du sager bredder under 160 mm gjentatte ganger, må du bruke parallellanlegget for å sikre raske, rene og rette kutt.

► **Fig.24:** 1. Parallellanlegg (føringslinjal)

Du monterer ved å føre stangdelen inn i det firkantede hullet i foten med anleggsdelen vendt ned. Skyv parallellanlegget til posisjon for ønsket skjærebredde, og stram skruen for å sikre det.

► **Fig.25:** 1. Sekskantnøkkel 2. Skruen  
3. Parallellanlegg (føringslinjal)

## Sirkelkutt

Når du sager sirkler eller buer med en radius på 170 mm eller mindre, må du montere parallellanlegget på følgende måte.

► **Fig.26:** 1. Parallellanlegg (føringslinjal)

**⚠FORSIKTIG:** Ikke berør spissen på sirkelføringsstiften. Den skarpe spissen på sirkelføringsstiften kan forårsake personskade.

1. Før stangdelen inn i det firkantede hullet i foten med anleggsdelen vendt opp.

2. Sett inn sirkelføringsstiften gjennom et av de to hullene i anleggsdelen. Skru gjengeknotten inn i sirkelføringsstiften for å sikre sirkelføringsstiften.

► **Fig.27:** 1. Gjengeknotten 2. Parallellanlegg (føringslinjal) 3. Sirkelføringsstift 4. Bolt 5. Sekskantnøkkel

3. Skyv parallellanlegget til posisjon for ønsket skjæreradius, og stram boltene for å sikre det på plass.

**MERK:** Bruk alltid blad nr. B-17, B-18, B-26 eller B-27 når du sager sirkler eller buer.

## Antisponenhet

### Valgfritt tilbehør

**⚠FORSIKTIG:** Antisponenheten kan ikke brukes ved skråskjæring.

For sponfri saging kan du bruke antisponenheten. For å montere antisponenheten må du flytte verktøyfoten helt frem og sette den inn i verktøyfoten fra baksiden.

Når du bruker dekkplaten, må du montere antisponenheten på dekkplaten.

► **Fig.28:** 1. Verktøyfot 2. Antisponenhet

## Dekkplate

Bruk dekkplaten når du skjærer dekorativ finér, plast o.l. Den beskytter sensitive eller delikate flater mot skade.

Sett den på bunnen av verktøyfoten.

► **Fig.29:** 1. Dekkplate 2. Fot

## Føringsskinneadaptersett

### Valgfritt tilbehør

Når du skjærer parallell og lik bredde eller rette linjer, vil bruk av føringsskinne og føringsskinneadapteren sikre raske og rene kutt. Føringsskinneadapteren monteres ved å sette linjalstangen så langt inn i det firkantede hullet i foten som mulig. Fest boltene godt med sekskantnøkkelen.

► **Fig.30:** 1. Sekskantnøkkel 2. Linjalstang 3. Bolt

Sett linjalstangen inn i det firkantede hullet i føringsskinneadapteren, og fest skruen godt. Plasser føringsskinneadapteren på føringsskinne.

► **Fig.31:** 1. Føringsskinneadapter 2. Føringsskinne 3. Skruen

**OBS:** Bruk alltid løvblad nr. B-8, B-13, B-16, B-17 eller 58 når du bruker føringsskinne og føringsskinneadapteren.

## VEDLIKEHOLD

**⚠FORSIKTIG:** Forviss deg alltid om at maskinen er slått av og batteriet tatt ut før du foretar inspeksjon eller vedlikehold.

**OBS:** Aldri bruk gasolin, bensin, tynner alkohol eller lignende. Det kan føre til misfarging, deformering eller sprekkdannelse.

For å opprettholde produktets SIKKERHET og PÅLITELIGHET, må reparasjoner, vedlikehold og justeringer utføres av autoriserte Makita servicesentre eller fabrikk-servicesentre, og det må alltid brukes reservedeler fra Makita.

## VALGFRITT TILBEHØR

**⚠FORSIKTIG:** Det anbefales at du bruker dette tilbehøret eller verktøyet sammen med den Makita-maskinen som er spesifisert i denne håndboken. Bruk av annet tilbehør eller verktøy kan forårsake personskader. Tilbehør og verktøy må kun brukes til det formålet det er beregnet på.

Ta kontakt med ditt lokale Makita-servicesenter hvis du trenger mer informasjon om dette tilbehøret.

- Stikksagblader
- Parallellanleggsett (føringslinjal)
- Føringsskinneadaptersett
- Antisponenhet
- Dekkplate
- Støvmunnstykke
- Støvdeksel
- Makita originalbatteri og lader

**MERK:** Enkelte elementer i listen kan være inkludert som standardtilbehør i verktøypakken. Elementene kan variere fra land til land.

## TEKNISET TIEDOT

Malli:	DJV185	
Iskun pituus	23 mm	
Iskua minuutissa	800 - 3 000 min <sup>-1</sup>	
Terätyyppi	B-tyyppi	
Suurin leikkuukapasiteetti	Puu	135 mm
	Pehmeä teräs	10 mm
	Alumiini	20 mm
Kokonaispituus (mukana BL1860B)	259 mm	
Nimellisjännite	DC 18 V	
Nettopaino	2,0 - 2,3 kg	

- Jatkuvaasta tutkimus- ja kehitystyöstämme johtuen esitetyt tekniset tiedot saattavat muuttua ilman erillistä ilmoitusta.
- Tekniset tiedot voivat vaihdella maittain.
- Paino voi olla erilainen lisävarusteista sekä akusta johtuen. EPTA-menettelytavan 01/2014 mukaisesti, taulukossa on kuvattu kevyin ja painavin laiteyhdistelmä.

### Käytettävä akkupaketti ja laturi

Akkupaketti	BL1815N / BL1820B / BL1830B / BL1840B / BL1850B / BL1860B
Laturi	DC18RC / DC18RD / DC18RE / DC18SD / DC18SE / DC18SF / DC18SH / DC18WC

- Tiettyjä yläpuolella kuvattuja akkuja ja latureita ei ehkä ole saatavana asuinalueestasi johtuen.

**VAROITUS:** Käytä vain edellä eriteltyjä akkupaketteja ja latureita. Muiden akkupakettien ja laturien käyttäminen voi aiheuttaa loukkaantumisen ja/tai tulipalon.

### Käyttötarkoitus

Työkalu on tarkoitettu puun, muovin ja metallin sahaamiseen.

### Melutaso

Tyypillinen A-painotettu melutaso määräytyy standardin EN62841-2-11 mukaan:

Äänenpainetaso ( $L_{pA}$ ): 84 dB (A)

Äänen voiman taso ( $L_{WA}$ ): 95 dB (A)

Virhemarginaali (K): 3 dB (A)

**HUOMAA:** Ilmoitetut melutasoarvot on mitattu standarditestausten menetelmän mukaisesti ja niiden avulla voidaan vertailla työkaluja keskenään.

**HUOMAA:** Ilmoitettuja melutasoarvoja voidaan käyttää myös altistumisen alustavaan arviointiin.

**VAROITUS:** Käytä kuulosuojaimia.

**VAROITUS:** Sähkötyökalun käytön aikana mitattu melutasoarvo voi poiketa ilmoitetuista arvoista laitteen käyttötavan ja erityisesti käsiteltävän työkalupaleen mukaan.

**VAROITUS:** Selvitä käyttäjän suojaamiseksi tarvittavat varoimet todellisissa käyttöolosuhteissa tapahtuvan arvioitun altistumisen mukaisesti (ottaen huomioon käyttöjaksot kokonaisuuudessaan, myös jaksot, joiden aikana laite on sammutettuna tai käy tyhjäkäynnillä).

### Tärinä

Kokonaistärinä (kolmen akselin vektorien summa) määräytyy standardin EN62841-2-11 mukaan:

Työtila: levyjen sahaaminen

Tärinäpäästö ( $a_{h,B}$ ): 10,3 m/s<sup>2</sup>

Virhemarginaali (K): 1,7 m/s<sup>2</sup>

Työtila: metallilevyn leikkaaminen

Tärinäpäästö ( $a_{h,M}$ ): 9,0 m/s<sup>2</sup>

Virhemarginaali (K): 1,5 m/s<sup>2</sup>

**HUOMAA:** Ilmoitetut kokonaistärinäarvot on mitattu standarditestausten menetelmän mukaisesti ja niiden avulla voidaan vertailla työkaluja keskenään.

**HUOMAA:** Ilmoitettuja kokonaistärinäarvoja voidaan käyttää myös altistumisen alustavaan arviointiin.

**VAROITUS:** Sähkötyökalun käytön aikana mitattu todellinen tärinäpäästöarvo voi poiketa ilmoitetuista arvoista laitteen käyttöoivain ja erityisesti käsiteltävän työkalupaleen mukaan.

**VAROITUS:** Selvitä käyttäjän suojaamiseksi tarvittavat varoimet todellisissa käyttöolosuhteissa tapahtuvan arvioidun altistumisen mukaisesti (ottaen huomioon käyttöjakso kokonaisuudessaan, myös jaksot, joiden aikana laite on sammutettuna tai käy tyhjäkäynnillä).

## Vaatimustenmukaisuusvaatimukset

### Koskee vain Euroopan maita

Vaatimustenmukaisuusvaatimukset on liitetty tähän käyttöoppaaseen liitteeksi A.

## TURVAVAROITUKSET

### Sähkötyökalujen käyttöä koskevat yleiset varoitukset

**VAROITUS** Tutustu kaikkiin tämän sähkötyökalun mukana toimitettuihin turvavaroituksiin, ohjeisiin, kuviin ja teknisiin tietoihin. Seuraavassa esitettyjen ohjeiden noudattamatta jättäminen voi aiheuttaa sähköiskun, tulipalon ja/tai vakavan vamman.

### Säilytä varoitukset ja ohjeet tulevaa käyttöä varten.

Varoituksissa käytettävällä termillä "sähkötyökalu" tarkoitetaan joko verkkovirtaa käyttävää (johdollista) työkalua tai akkukäyttöistä (johdotonta) työkalua.

## Langattoman lehtisahan turvaohjeet

1. Kun suoritat toimenpidettä, jossa leikkaustyökalu voi joutua kosketukseen piilossa olevien johtojen kanssa, pidä kiinni työkalusta sen eristetyn tarttumispinnan kohdalta. Jos leikkauksiläaite joutuu kosketukseen jännitteen johdon kanssa, jännite voi siirtyä työkalun sähköä johtavien metalliosiin ja aiheuttaa käyttäjälle sähköiskun.
2. Kiinnitä ja tue työkalupale tukevalle alustalle puristimilla tai muulla käytännöllisellä tavalla. Työn pitäminen kädessä tai vartaloa vasten tekee työn epävakaaksi ja voi johtaa hallinnan menetykseen.
3. Käytä aina suojalaseja. Tavalliset silmä- tai aurinkolasit EIVÄT ole suojalaseja.
4. Vältä naulojen sahaamista. Tarkasta, onko työkalupaleessa nauloja, ja poista ne ennen käyttöä.
5. Älä leikkaa ylisuuria työkalupaleita.
6. Tarkista ennen sahaamista työkalupalletta ympäröivä tyhjä tila, jotta sahanterä ei kosketa lattiaa, työpenkkiä tms.
7. Ota työkalusta luja ote.
8. Varmista ennen sahan käynnistämistä, ette terä kosketa työkalupalletta.
9. Pidä kädet poissa liikkuvien osien luota.

10. Älä jätä työkalua käymään itseksensä. Käytä laitetta vain silloin, kun pidät sitä kädessä.
11. Sammuta laite ja odota, että sahanterä pysähtyy täysin, aina ennen kuin irrotat sahanterän työkalupaleesta.
12. Älä kosketa sahanterää tai työkalupalletta heti käytön jälkeen, sillä ne voivat olla erittäin kuumia ja saattavat polttaa ihoa.
13. Älä käytä työkalua tarpeettomasti ilman kuormaa.
14. Jotkin materiaalit sisältävät kemikaaleja, jotka voivat olla myrkyllisiä. Huolehdi siitä, että pölyn sisään hengittäminen ja ihokosketus estetään. Noudata materiaalin toimittajan turvaohjeita.
15. Käytä aina työstettävän materiaalin ja käyttötarvikkeiden mukaan valittua polynaamaria/hengityssuojainta.

## SÄILYTÄ NÄMÄ OHJEET.

**VAROITUS:** ÄLÄ anna työkalun helppokäyttöisyyden (toistuvan käytön aikaansaama) johtaa sinua vääriin turvallisuuden tunteeseen niin, että laiminlyöt työkalun turvaohjeiden noudattamisen. **VÄÄRINKÄYTTÖ** tai tässä käyttöohjeessa ilmoitettujen turvamääräysten laiminlyönti voi aiheuttaa vakavia henkilövahinkoja.

## Akkupakettia koskevia tärkeitä turvaohjeita

1. Ennen akun käyttöönottoa tutustu kaikkiin laturissa (1), akussa (2) ja akkukäyttöisessä tuotteessa (3) oleviin varoitusteksteihin.
2. Älä pura tai peukaloi imuria akkupakettia. Se voi johtaa tulipaloon, ylikuumentumiseen tai räjähdykseen.
3. Jos akun toiminta-aika lyhenee merkittävästi, lopeta akun käyttö. Seurauksena voi olla ylikuumeneminen, palovammoja tai jopa räjähdys.
4. Jos akkuestettä pääsee silmiin, huuhtele puhtaalla vedellä ja hakeudu välittömästi lääkärin hoitoon. Akkueste voi aiheuttaa näön menetyksen.
5. Älä oikosulje akkua.
  - (1) Älä koske akun napoihin millään sähköä johtavalla materiaalilla.
  - (2) Vältä akun oikosulkemista äläkä säilytä akkua yhdessä muiden metalliesineiden, kuten naulojen, kolkoiden ja niin edelleen kanssa.
  - (3) Älä aseta akkua alttiiksi vedelle tai satelle.Oikosulku voi aiheuttaa virtapiikin, ylikuumentumista, palovammoja tai laitteen rikkoontumisen.
6. Älä säilytä ja käytä työkalua ja akkupakettia paikassa, jossa lämpötila voi nousta 50 °C:een (122 °F) tai korkeammaksi.
7. Älä hävitä akkua polttamalla, vaikka se olisi pahoin vaurioitunut tai täysin loppuun kulunut. Avotuli voi aiheuttaa akun räjähtämisen.
8. Älä naulaa, leikkaa, purista, heitä tai pudota akkupakettia tai iske sitä kovia esineitä vasten. Tällaiset toimet voivat johtaa tulipaloon, ylikuumentumiseen tai räjähdykseen.
9. Älä käytä viallista akkua.

- Sisältyviä litium-ioni-akkuja koskevat vaarallisten aineiden lainsäädännön vaatimukset.** Esimerkiksi kolmansien osapuolten huolintaliikkeiden tulee kaupallisissa kuljetuksissa noudattaa pakkaamista ja merkintöjä koskevia erityisvaatimuksia. Lähetettävän tuotteen valmistelu edellyttää vaarallisten aineiden asiantuntijan neuvontaa. Huomioi myös mahdollisesti yksityiskohtaisemmat kansalliset määräykset  
Akun avoimet liittimet tulee suojata teipillä tai suojuksella ja pakkaaminen tulee tehdä niin, ettei akku voi liikkua pakkauksessa.
- Kun akkupaketti on hävitettävä, poista se laitteesta ja hävitä se turvallisesti. Hävitä akku paikallisten määräysten mukaisesti.**
- Käytä akkuja vain Makitan ilmoittamien tuotteiden kanssa.** Akkujen asentaminen yhteensopimattomiin tuotteisiin voi aiheuttaa tulipalon, liiallisen ylikuumentumisen, räjähdyksen tai akkuneuvuotoja.
- Jos laitetta ei käytetä pitkään aikaan, akku on poistettava laitteesta.**
- Akkupaketin lämpötila voi käytön aikana ja sen jälkeen nousta niin kuumaksi, että se voi aiheuttaa palovammoja tai lieviä palovammoja. Käsittele kuumia akkupaketteja huolellisesti.**
- Älä kosketa työkalun liittintä välittömästi käytön jälkeen, sillä se voi olla riittävän kuuma aiheuttamaan palovammoja.**
- Älä päästä lastuja, pölyä tai maata akkupaketin liittimiin, aukkoihin ja uriin.** Se voi johtaa työkalun tai akkupaketin lämpenemiseen, syttymiseen, purkaukseen tai toimintahäiriöön, mikä voi aiheuttaa palovammoja tai vammoja.
- Elei työkalu tue käyttöä korkeajännitelinjojen lähellä, älä käytä akkupakettia korkeajännitelinjojen lähellä.** Se voi johtaa työkalun tai akkupaketin toimintahäiriöön tai rikkoutumiseen.
- Pidä akku poissa lasten ulottuvilta.**

## SÄILYTÄ NÄMÄ OHJEET.

**⚠HUOMIO:** Käytä vain alkuperäisiä Makita-akkuja. Muiden kuin aitojen Makita-akkujen, tai mahdollisesti muutettujen akkujen käyttö voi johtaa akun murtumiseen ja aiheuttaa tulipaloja, henkilö- ja omaisuusvahinkoja. Se mitätöi myös Makita-työkalun ja -laturin Makita-takuun.

## Vihjeitä akun käyttöiän pidentämiseksi

- Lataa akku ennen kuin se purkautuu täysin. Lopeta aina työkalun käyttö ja lataa akku, jos huomaat työkalun tehon vähenevän.
- Älä koskaan lataa uudestaan täysin ladattua akkua. Yli lataaminen lyhentää akun käyttöikää.
- Lataa akku huoneen lämpötilassa välillä 10 °C - 40 °C. Anna kuuman akun jäähtyä ennen lataamista.
- Irrota akkupaketti työkalusta tai laturista, kun sitä ei käytetä.
- Lataa akkupaketti, jos et käytä sitä pitkään aikaan (yli kuusi kuukautta).

## TOIMINTOJEN KUVAUS

**⚠HUOMIO:** Varmista aina ennen säätöjä ja tarkastuksia, että työkalu on sammutettu ja akkupaketti irrotettu.

### Akun asentaminen tai irrottaminen

**⚠HUOMIO:** Sammuta työkalu aina ennen akun kiinnittämistä tai irrottamista.

**⚠HUOMIO:** Pidä työkalusta ja akusta tiukasti kiinni, kun irrotat tai kiinnität akkua. Jos akkupaketti tai työkalu putoaa, ne voivat vaurioitua tai aiheuttaa tapaturman.

Akkupaketti asetetaan paikalleen sovittamalla akkupaketin kieleke rungon uraan ja työntämällä se sitten paikalleen. Työnnä se pohjaan asti niin, että kuulet sen napsahavan paikoilleen. Jos näet kuvan mukaisen punaisen ilmaisimen, lukitus ei ole täysin pitävä.

Irrota akku painamalla akun etupuolella olevaa painiketta ja vetämällä akku ulos työkalusta.

- **Kuva1:** 1. Punainen ilmaisin 2. Painike  
3. Akkupaketti

**⚠HUOMIO:** Työnnä akkupaketti aina pohjaan asti, niin että punainen ilmaisin ei enää näy. Jos akkupaketti ei ole kunnolla paikallaan, se voi pudota työkalusta ja aiheuttaa vammoja joko sinulle tai sivullisille.

**⚠HUOMIO:** Älä käytä voimaa akun asennuksessa. Jos akku ei lii'u paikalleen helposti, se on väärässä asennossa.

## Työkalun/akun suojausjärjestelmä

Työkalu on varustettu työkalu/akun suojausjärjestelmällä. Tämä järjestelmä pidentää työkalun ja akun käyttöikää katkaisemalla automaattisesti moottorin virran. Työkalu pysähtyy automaattisesti kesken käytön, jos työkalussa tai akussa ilmenee jokin seuraavista tilanteista:

### Ylikuormitussuoja

Kun työkalua tai akkua käytetään tavalla, joka saa sen käyttämään poikkeuksellisen suurta virtaa, työkalu pysähtyy varoituksetta automaattisesti. Tässä tilanteessa sinun tulee sammuttaa työkalu ja lopettaa toiminta, joka aiheutti työkalun ylikuormittamisen. Käynnistä sitten työkalu uudelleen kytkemällä virta.

### Ylikuumentumissuoja

Työkalun ylikuumentessa se pysähtyy automaattisesti ja lamppu alkaa vilkkua. Anna silloin työkalun/akun jäähtyä, ennen kuin kytket työkalun uudelleen virtaan.

### Ylipurkautumissuoja

Jos akkukapasiteetti ei riitä, työkalu pysähtyy automaattisesti. Irrota tässä tapauksessa akku työkalusta ja lataa akku.

## Suojaus muilta haitallisilta tapahtumilta

Suojausjärjestelmä on suunniteltu suojaamaan työkalu myös muilta tapahtumilta, jotka voisivat vahingoittaa työkalua, ja pysäyttämään työkalu automaattisesti tällaisissa tapauksissa. Kun työkalu tai sen toiminta on pysähtynyt tilapäisesti, poista pysäytyksen syyt seuraavien vaiheiden mukaisesti.

1. Käynnistä työkalu uudelleen sammuttamalla se ja kytkemällä se sitten uudelleen päälle.
2. Lataa akut tai vaihda ne ladattuihin akkuihin.
3. Anna työkalun ja akkujen jäähtyä.

Jos suojausjärjestelmän nollaaminen ei korjaa tilannetta, ota yhteys paikalliseen Makita-huoltoon.

## Akun jäljellä olevan varaustason ilmaisin

### Vain akkupaketeille ilmaisimella

Painamalla tarkistuspainiketta saat näkyviin akun jäljellä olevan varauksen. Merkkivalot palavat muutaman sekunnin ajan.

► **Kuva2:** 1. Merkkivalot 2. Tarkistuspainike

Merkkivalot			Akussa jäljellä olevan varaus
Palaa	Pois päältä	Vilkkuu	
			75% - 100%
			50% - 75%
			25% - 50%
			0% - 25%
			Lataa akku.
			Akussa on saattanut olla toimintahäiriö.

**HUOMAA:** Ilmoitettu varaustaso voi erota hieman todellisesta varaustasosta sen mukaan, millaisissa oloissa ja missä lämpötilassa laitetta käytetään.

**HUOMAA:** Ensimmäinen (vasemmanpuoleisin) merkkivalo vilkkuu, kun akun suojausjärjestelmä on toiminnassa.

## Leikkaustoiminnan valinta

Tätä konetta voi käyttää rata- tai suoralinjaleikkaustoiminnalla (ylös ja alas). Rataleikkaustoiminnan aikana terä työntyy eteenpäin ja lisää sahausnopeutta.

► **Kuva3:** 1. Leikkaustoiminnan vaihtovipu

Leikkaustoiminnan vaihtamiseksi käännä leikkaustoiminnan vaihtovipu haluttuun leikkaustoiminta-asemaan. Katso taulukosta sopiva leikkaustoiminta.

Paikka	Leikkaustoiminta	Sovellukset
0	Suoralinjaleikkaustoiminta	Pehmeän teräksen, ruostumattoman teräksen ja muovin leikkaamiseen. Puun ja vanerin sisteihin leikkaamiseen.
I	Pienen radan leikkaustoimintaan	Pehmeän teräksen, alumiinin ja kovan puun leikkaamiseen.
II	Keskisuuren radan leikkaustoimintaan	Puun ja vanerin leikkaamiseen. Alumiinin ja pehmeän teräksen nopeaan leikkaamiseen.
III	Suuren radan leikkaustoimintaan	Puun ja vanerin nopeaan leikkaamiseen.

## Etulampun syyttäminen

**⚠HUOMIO:** Älä katso suoraan lampuun tai valonlähteeseen.

Voit syyttää lampun painamalla lukitus-/vapautuspainiketta. Voit sammuttaa lampun painamalla uudelleen lukitus-/vapautuspainiketta.

► **Kuva4:** 1. Lamppu 2. Lukitus-/vapautuspainike

**HUOMAUTUS:** Jos työkalu ylikuumentuu, lamppu alkaa vilkkua. Anna työkalun jäähtyä ennen sen käyttämistä uudelleen.

**HUOMAA:** Pyyhi lika pois linssistä kuivalla liinalla. Varo naarmuttamasta linssiä, ettei valoteho laske.

## Kytkimen käyttäminen

Käynnistä laite painamalla lukitus-/vapautuspainiketta. Laite siirtyy valmiustilaan. Käynnistä laite painamalla käynnistys-/sammutuspainiketta valmiustilassa. Pysäytä laite painamalla uudelleen käynnistys-/sammutuspainiketta. Laite siirtyy valmiustilaan. Sammuta laite painamalla käynnistys-/sammutuspainiketta valmiustilassa.

► **Kuva5:** 1. Lukitus-/vapautuspainike 2. Käynnistys-/sammutuspainike

**HUOMAA:** Jos laitetta ei käytetä valmiustilassa 10 sekunnin aikana, laite sammuu automaattisesti ja lamppu sammuu.

**HUOMAA:** Voit myös pysäyttää ja sammuttaa laitteen painamalla lukitus-/vapautuspainiketta laitteen ollessa käynnissä.

Voit himmentää valoa painamalla ja pitämällä painettuna lukitus-/vapautuspainiketta, kun laite siirretään valmiustilaan. Noin 1 sekunnin kuluttua lukitus-/vapautuspainikkeen painamisesta lamppu alkaa himmentyä. Vapauta lukitus-/vapautuspainike, kun kirkkaus on sopiva. Samalla laite siirtyy valmiustilaan. Noin 3 sekunnin kuluttua lukitus-/vapautuspainikkeen painamisesta lamppu on himmeimmillään eikä kirkkaus enää muutu.

**HUOMAA:** Lampun kirkkautta ei voi säätää laitteen ollessa valmiustilassa. Sammuta laite, jos haluat säätää lampun kirkkautta.

**HUOMAA:** Lampun kirkkaudelle ei ole muistitoimintoa. Jos sammutat ja sitten kytket lampun, se on aina kirkkaimmillaan.

## Nopeudensäätöpyörä

Laitenopeutta voidaan säätää kiertämällä nopeudensäätöpyörää. Suurin nopeusasetus on 5 ja pienin nopeusasetus 1. ► **Kuva6: 1.** Nopeudensäätöpyörä

Valitse sahattavalle työkappaleelle sopiva nopeus seuraavasta taulukosta. Oikea nopeus voi tosin vaihdella työkappaleen tyyppiin ja paksuuden mukaan. Yleisesti ottaen suurella nopeudella työkappaleet voi sahata nopeammin, mutta lehtisahanterän käyttöikä lyhenee.

Työkappale	Numero
Puu	4 - 5
Pehmeä teräs	3 - 5
Ruostumatonta teräs	3 - 4
Alumiini	3 - 5
Muovit	1 - 4

**HUOMAUTUS:** Nopeudensäätöpyörää voi kääntää vain arvoon 5 ja takaisin arvoon 1. Älä ohita väkisin arvoa 5 tai 1, koska tällöin nopeudensäätö ei ehkä enää toimi.

## Sähköinen toiminta

Laite on varustettu sähköisillä toiminnoilla helppokäyttöisyyttä ajatellen.

## Pehmeä käynnistys

Pehmeä käynnistys -toiminto pienentää käynnistystärhdystä ja saa työkalun käynnistymään tasaisesti.

## Vakionopeudensäätö

Sähköinen nopeudensäätö vakionopeutta varten. Jäljestä voi tulla moitteetonta, koska työkalun nopeus pysyy vakiona kuormitettunakin.

## Pehmeä kuormittamaton pyörimistoiminto

Tärinän alentamiseksi ja lehtisahanterän kohdistamiseksi sahauslinjaan helposti laite alentaa automaattisesti työkalun nopeutta niin kauan, kunnes aloitetaan työkappaleen sahaaminen nopeudensäätöpyörän asetuksen ollessa 2 tai korkeampi. Kun työkalu aloittaa työkappaleen sahausksen, laite saavuttaa esiasetetun nopeuden ja pitää sitä yllä niin kauan, kunnes työkalu pysäytetään.

**HUOMAA:** Jos lämpötila on matala, tämä toiminto ei välttämättä ole käytettävissä. Lisäksi tämä ominaisuus ei välttämättä ole käytettävissä materiaalin, lehtisahanterän ja työkalun nopeuden mukaan.

## Pehmeän kuormittamattoman pyörimistoiminnon poistaminen käytöstä

Poista pehmeä kuormittamaton pyörimistoiminto käytöstä noudattamalla seuraavia vaiheita.

1. Varmista, että työkalu on sammutettu.
2. Aseta nopeudensäätöpyörä asetukselle "1".
3. Käynnistä työkalu painamalla lukitus-/vapautuspainiketta.
4. Kierrä nopeudensäätöpyörää asetukselle "5" ja tämän jälkeen takaisin nopeusasetukselle "1".

Merkkivalo vilkkuu kaksi kertaa osoittaen, että pehmeä kuormittamaton pyörimistoiminto on pois käytöstä. Ota tämä toiminta uudelleen käyttöön suorittamalla samat toimenpiteet uudelleen.

**HUOMAA:** Jos pehmeä kuormittamaton pyörimistoiminto on pois käytöstä, merkkivalo vilkkuu kaksi kertaa laitteen käynnistämisen aikana.

**HUOMAA:** Voit myös ottaa pehmeän kuormittamattoman pyörimistoiminnon pois käytöstä tai käyttööön muuttamalla nopeudensäätöpyörän asetuksen kohdasta "5" kohtaan "1" tai toisinpäin kohdasta "1" kohtaan "5".

## Sähköjarru

Tässä työkalussa on sähköjarru. Jos työkalu jättää jatkuvasti pysähtymättä nopeasti käynnistys-/sammutuspainikkeen tai lukitus-/vapautuspainikkeen painamisen jälkeen, vie työkalu huollettavaksi Makita-huoltoon.

## KOKOONPANO

**⚠HUOMIO:** Varmista aina ennen mitään työkälylle tehtäviä toimenpiteitä, että se on sammutettu ja akku irrotettu.

## Lehtisahanterän asennus tai irrotus

**⚠HUOMIO:** Poista aina terään ja/tai terän kannattimeen tarttuneet lastut tai vierasaineet. Tämän laiminlyönti saattaa aiheuttaa terän riittämättömän kiristymisen, mikä voi aiheuttaa vakavan vamman.

**⚠HUOMIO:** Älä kosketa lehtisahanterää tai työkappaletta heti käytön jälkeen. Ne voivat olla hyvin kuumia ja aiheuttaa palovammoja.

**⚠HUOMIO:** Kiinnitä aina lehtisahanterä lujasti. Terän riittämätön kiristäminen voi aiheuttaa terän rikkoutumisen tai vakavan vamman.

**⚠HUOMIO:** Käytä ainoastaan B-tyypin lehtisahanteriä. Muiden kuin B-tyypin terien käyttö aiheuttaa lehtisahanterän riittämättömän kiristymisen, joka voi aiheuttaa vakavan vamman.

**⚠HUOMIO:** Kun irrotat lehtisahanterää, ole varovainen, jotta et loukkaa sormiasi terän yläosaan tai työkappaleen kärkiin.

Varmista ennen lehtisahanterän asentamista, että terän kiinnitysvipu on vapautetussa asennossa.

Asenna lehtisahanterä työntämällä se (hammastus eteenpäin) teräpidikkeeseen. Terän kiinnitysvipu siirtyy lukittuun asentoon ja terä lukittuu paikalleen. Varmista, että lehtisahanterän takareuna sopii rullaan. Varmista, ettei lehtisahanterä pääse irtoamaan käytön aikana, vetämällä terää kevyesti.

► **Kuva7:** 1. Lehtisahanterän kannatin 2. Terän kiinnitysvipu (avattuna) 3. Terän kiinnitysvipu (lukittuna)

► **Kuva8:** 1. Lehtisahan teräpidike 2. Lehtisahanterä 3. Rulla

**▲HUOMIO:** Ellei kiinnitysvipu siirry lukittuun asentoon, lehtisahanterä ei ole oikein paikallaan. Älä paina kiinnitysvipua lukittuun asentoon käsin. Se voi vaurioittaa työkalua.

Irrota lehtisahanterä työntämällä kiinnitysvipua eteenpäin niin pitkälle kuin se menee. Sen jälkeen lehtisahanterän voi irrottaa.

► **Kuva9:** 1. Lehtisahan teräpidike 2. Lehtisahanterän kiinnitysvipu 3. Lehtisahanterä

**HUOMAA:** Jos lehtisahanterän irrottaminen on vaikeaa, aseta leikkaustoiminnon vaihtovipu asentoon III ja siirrä lehtisahanterän pidike alas. Siirrä lehtisahanterän pidike alas palauttamalla teränpidin kerran kokonaan lukittuun asentoon ja ytkemällä työkalua hieman päälle useita kertoja.

**HUOMAA:** Voitele tela silloin tällöin.

## Kuusioavaimen varastointi

Säilytä kuusioavainta kuvan osoittamassa paikassa, ettei se pääse katoamaan.

► **Kuva10:** 1. Kuusioavain

## TYÖSKENTELY

**▲HUOMIO:** Pidä aina pohjan upotus työkalupaleessa. Tämän laiminlyönti voi aiheuttaa terän rikkoutumisen, joka voi aiheuttaa vakavan vamman.

**▲HUOMIO:** Etene työkalulla hyvin hitaasti leikattaessa kaaria tai rullauksia. Työkalun pakottaminen voi aiheuttaa kaltevan leikkauspinnan ja lehtisahanterän rikkoutumisen.

Käynnistä työkalu terää koskettamatta ja odota, kunnes lehtisahanterä saavuttaa täyden nopeuden. Aseta sitten työkalun alusta tasaisesti työkalupaleen päälle ja siirrä työkalua varovasti eteenpäin aikaisemmin merkittyä leikkuulinjaa pitkin.

► **Kuva11:** 1. Leikkuulinja 2. Alusta

## Viisteitysleikkaus

**▲HUOMIO:** Varmista aina ennen pohjan kallistamista, että laite on sammutettu ja akku irrotettu.

Voit tehdä viisteitysleikkauksia pohjaa kallistamalla 0° ja 45° kulman välillä (vasen tai oikea).

► **Kuva12**

Löysää pohjan takana olevaa pulttia kuusioavaimella. Siirrä pohjaa siten, että pultti on asennettu pohjassa olevan ristimuotoisen aukon keskelle.

► **Kuva13:** 1. Kuusioavain 2. Pultti 3. Alusta

Kallista pohjaa, kunnes haluttu viisteityskulma on saavutettu. Moottorirungon reuna ilmaisee viisteityskulman astejaon mukaan. Kiristä sitten pulttia pohjan kiinnittämiseksi.

► **Kuva14:** 1. Reuna 2. Asteikko

## Etu-upotus leikkaukset

Löysennä alustan alaosassa oleva pultti kuusioavaimella ja työnnä alusta täysin taaksepäin. Kiinnitä sitten alusta kiristämällä pultti.

► **Kuva15:** 1. Kuusioavain 2. Pultti 3. Alusta

## Poisleikkaukset

Leikkaukset voi tehdä jommallakummalla menetelmällä: "Aloituseriän kairaaminen" tai "Upotussahaus".

## Aloituseriän kairaaminen

Sisäisten leikkausten tekoon ilman reunan läpivienti leikkuuta, kairaa ennakoita halkaisijaltaan 12 mm:n tai sitä suurempi reikä. Työnnä terä tähän reikään leikkaukseen aloittamiseksi.

► **Kuva16**

## Upotussahaus

Sinun ei tarvitse kairata aloituseriää tai tehdä läpivientileikkausta, jos toimit varovasti seuraavalla tavalla.

1. Kosketa työkalupaleta pohjan etureunalla ja kallista työkalua siten, että lehtisahanterän kärki on aivan työkalupaleen pinnan yläpuolella.

2. Paina työkalua siten, että pohjan etureuna ei liiku, kun käynnistät työkalun ja laske työkalun takakärkeä hitaasti.

3. Terän tunkeutuessa työkalupaleeseen laske työkalun pohja hitaasti työkalupaleen pinnalle.

4. Päättää leikkaus normaaliin tapaan.

► **Kuva17**

## Reunojen viimeistely

Aja terä kevyesti leikattuja reunoja pitkin reunojen tasaamiseksi tai mittasäästöjen tekemiseksi.

► **Kuva18**



## Metallin leikkaus

Käytä aina sopivaa jäähdytysainetta (leikkuuöljyä), kun leikkaat metallia. Muuten seurauksena on lehtisahanterän merkittävä kuluminen. Työkappaleen alapintaa voidaan rasvata jäähdytysnesteen käytön sijaan.

## Pölynpoisto

### Pölysuojuksen asentaminen ja irrottaminen

Kiinnitä pölysuojus kuvan osoittamalla tavalla.

► **Kuva19:** 1. Pölysuojus

Irrota pölysuojus painamalla suojuksen toista puolelta ja tämän jälkeen irrottamalla se kuvan osoittamalla tavalla.

► **Kuva20:** 1. Pölysuojus

### Pölysuuttimen asentaminen ja irrottaminen

Voit kytkeä tämän työkalun Makita-pölynimuriin kiinnittämällä pölysuuttimen.

Kiinnitä pölysuutin täysin laitteeseen.

► **Kuva21:** 1. Pölysuutin

Irrota pölysuutin työntämällä sitä ulos ja samanaikaisesti painamalla pölysuuttimen painiketta.

► **Kuva22:** 1. Painike 2. Pölysuutin

### Laitteen liittäminen pölynimuriin

Kiinnitä pölynimurin letku pölysuuttimeen.

► **Kuva23**

## Repeämäaita

### Lisävaruste

**⚠HUOMIO:** Varmista aina, että työkalu on kytketty pois päältä ja akku on poistettu, ennen lisävarusteiden asentamista tai poistamista.

### Suorat leikkaukset

Kun leikkaat toistuvasti alle 160 mm leveitä työkappaleita tai pienempiä, repeämäaidan käyttö turvaa nopeat, puhtaat ja suorat leikkaukset.

► **Kuva24:** 1. Repeämäaita (ohjaustulkki)

Asenna asettamalla tanko-osa pohjan nelikulmaiseen reikään aitaosa alaspäin. Työnnä repeämäaita haluttuun leikkausleveyden asentoon ja kiinnitä se sitten kiristämällä pultti.

► **Kuva25:** 1. Kuusioavain 2. Pultti 3. Repeämäaita (ohjaustulkki)

## Pyöreät leikkaukset

Kun leikkaat säteeltään 170 mm tai pienempiä ympyröitä tai kaaria, asenna repeämäaita seuraavasti.

► **Kuva26:** 1. Repeämäaita (ohjaustulkki)

**⚠HUOMIO:** Älä kosketa pyöröohjaimen tapin kärkeä. Pyöröohjaimen tapin terävä kärki voi aiheuttaa vamman.

1. Aseta tanko-osa pohjan nelikulmaiseen reikään aitaosa ylöspäin.

2. Laita pyöröohjaimen tappi jompaankumpaan aitaosan reikään. Ruuvaa kierteitetty nuppi pyöröohjaimen tappiin, jotta tappi pysyy lujasti paikallaan.

► **Kuva27:** 1. Kierteitetty nuppi 2. Repeämäaita (ohjaustulkki) 3. Pyöröohjain 4. Pultti 5. Kuusioavain

3. Työnnä repeämäaita haluttuun leikkaussäteeseen ja kiristä pultti sen varmistamiseksi.

**HUOMAA:** Käytä aina lehtisahanterännumeroa B-17, B-18, B-26 tai B-27 leikatessasi ympyröitä tai kaaria.

## Lohkaisunestolaite

### Lisävaruste

**⚠HUOMIO:** Lohkaisunestolaitetta ei voida käyttää viisteitysleikkauksia tehtäessä.

Lohkeamattomien leikkausten saavuttamiseksi voit käyttää lohkaisunestolaitetta. Lohkaisunesto laitteen asentamiseksi siirrä työkalun pohja täysin eteenpäin ja sovita se pohjaan työkalun pohjan takaosasta.

Kun käytät suojakilpeä, asenna lohkaisunestolaite suojakilven päälle.

► **Kuva28:** 1. Alusta 2. Lohkaisunestolaite

## Suojalevy

Käytä suojalevyä sahatessasi koristevaneria, muovia tms. Se estää herkkiä tai hienoja pintoja vahingoittumasta. Sovita se työkalun alustan pohjaan.

► **Kuva29:** 1. Suojalevy 2. Alusta

## Ohjaukiskiskon sovitinsarja

### Lisävaruste

Kun sahaat rinnakkaisia ja yhtäläisiä leveyksiä tai sahaat suoraan, ohjaukiskiskon ja ohjaukiskiskon sovitimen käyttö varmistavat nopeat ja puhtaat sahaustulokset. Asenna ohjaukiskiskon sovitin asettamalla viivaintanko alustan neliöreikään niin pitkälle, kuin se menee. Kiristä pultti luotettavasti kiinni kuusioavaimella.

► **Kuva30:** 1. Kuusioavain 2. Viivaintanko 3. Pultti

Aseta viivaintanko ohjaukiskiskon sovitimen neliöreikään ja kiristä ruuvi huolellisesti kiinni. Asenna ohjaukiskiskon sovitin ohjaukiskiskon päälle.

► **Kuva31:** 1. Ohjaukiskiskon sovitin 2. Ohjaukiskisko 3. Ruuvi

**HUOMAUTUS:** Käytä aina lehtisahanterää Nro B-8, B-13, B-16, B-17 tai 58 käyttäessäsi ohjaukiskiskoa ja ohjaukiskiskon sovitinta.

# KUNNOSSAPITO

**⚠️HUOMIO:** Varmista aina ennen tarkastusta tai huoltoa, että työkalu on sammutettu ja akku irrotettu.

**HUOMAUTUS:** Älä koskaan käytä bensiiniä, ohenteita, alkoholia tai tms. aineita. Muutoin pinta voi halkeilla tai sen värit ja muoto voivat muuttua. Muutoin laitteeseen voi tulla värjäytyimiä, muodon vääristymiä tai halkeamia.

Tuotteen TURVALLISUUDEN ja LUOTETTAVUUDEN takaamiseksi korjaukset, muut huoltotyöt ja säädöt on teetettävä Makitan valtuutetussa huoltopisteessä Makitan varaosia käyttäen.

# LISÄVARUSTEET

**⚠️HUOMIO:** Seuraavia lisävarusteita tai laitteita suositellaan käytettäväksi tässä ohjeessa kuvatun Makita-työkalun kanssa. Muiden lisävarusteiden tai laitteiden käyttö voi aiheuttaa henkilövahinkoja. Käytä lisävarusteita ja -laitteita vain niiden käyttötarkoituksen mukaisesti.

Jos tarvitset apua tai yksityiskohtaisempia tietoja seuraavista lisävarusteista, ota yhteys paikalliseen Makitan huoltoon.

- Lehtisahan terät
- Repeämäaita (ohjaukskulma) sarja
- Ohjauksiskon sovitinsarja
- Lohkaisunestolaite
- Suojalevy
- Pölysuutin
- Pölysuojus
- Aito Makitan akku ja laturi

**HUOMAA:** Jotkin luettelossa mainitut varusteet voivat sisältyä työkalun toimitukseen vakiovarusteina. Ne voivat vaihdella maittain.

## SPECIFIKATIONER

Model:		DJV185
Slaglængde		23 mm
Antal slag pr. minut		800 - 3.000 min <sup>-1</sup>
Klingetype		Type B
Maks. skærekapacitet	Træ	135 mm
	Almindeligt stål	10 mm
	Aluminium	20 mm
Samlet længde (med BL1860B)		259 mm
Mærkespænding		DC 18 V
Nettovægt		2,0 - 2,3 kg

- På grund af vores kontinuerlige forsknings- og udviklingsprogrammer kan hosstående specifikationer blive ændret uden varsel.
- Specifikationer kan variere fra land til land.
- Vægten kan være anderledes afhængigt af tilbehøret, inklusive akkuen. Den letteste og tungeste kombination i henhold til EPTA-procedure 01/2014 er vist i tabellen.

## Anvendelig akku og oplader

Akku	BL1815N / BL1820B / BL1830B / BL1840B / BL1850B / BL1860B
Oplader	DC18RC / DC18RD / DC18RE / DC18SD / DC18SE / DC18SF / DC18SH / DC18WC

- Nogle af de akkuer og opladere, der er angivet ovenfor, er muligvis ikke tilgængelige, afhængigt af hvilket område du bor i.

**⚠ ADVARSEL:** Brug kun de akkuer og opladere, der er angivet ovenfor. Brug af andre akkuer og opladere kan medføre personskaade og/eller brand.

## Tilsigtet brug

Maskinen er beregnet til savning af træ, plast- og metalmaterialer.

## Støj

Det typiske A-vægtede støjniveau bestemt i overensstemmelse med EN62841-2-11:  
 Lydtryksniveau ( $L_{pA}$ ): 84 dB (A)  
 Lydeffektniveau ( $L_{WA}$ ): 95 dB (A)  
 Usikkerhed (K): 3 dB (A)

**BEMÆRK:** De(n) angivne støjemissionsværdi(er) er målt i overensstemmelse med en standardtestmetode og kan anvendes til at sammenligne en maskine med en anden.

**BEMÆRK:** De(n) angivne støjemissionsværdi(er) kan også anvendes i en præliminær eksponeringsvurdering.

**⚠ ADVARSEL:** Bær høreværn.

**⚠ ADVARSEL:** Støjemissionen under den faktiske anvendelse af maskinen kan være forskellig fra de(n) angivne værdi(er), afhængigt af den måde hvorpå maskinen anvendes, især den type arbejdsemne der behandles.

**⚠ ADVARSEL:** Sørg for at identificere de sikkerhedsforskrifter til beskyttelse af operatøren, som er baseret på en vurdering af eksponering under de faktiske brugsforhold (med hensyntagen til alle dele i brugscyklussen, f.eks. de gange, hvor maskinen er slukket, og når den kører i tomgang i tilgift til afbrydertiden).

## Vibration

Vibrationens totalværdi (tre-aksial vektorsum) bestemt i overensstemmelse med EN62841-2-11:  
 Arbejdstilstand: skæring af brædder  
 Vibrationsafgivelse ( $a_{h,B}$ ): 10,3 m/s<sup>2</sup>  
 Usikkerhed (K): 1,7 m/s<sup>2</sup>  
 Arbejdstilstand: skæring af tynde metalplader  
 Vibrationsafgivelse ( $a_{h,M}$ ): 9,0 m/s<sup>2</sup>  
 Usikkerhed (K): 1,5 m/s<sup>2</sup>

**BEMÆRK:** De(n) angivne totalværdi(er) for vibration er målt i overensstemmelse med en standardtestmetode og kan anvendes til at sammenligne en maskine med en anden.

**BEMÆRK:** De(n) angivne totalværdi(er) for vibration kan også anvendes i en præliminær eksponeringsvurdering.

**⚠ ADVARSEL:** Vibrationsemissionen under den faktiske anvendelse af maskinen kan være forskellig fra de(n) angivne værdi(er), afhængigt af den måde hvorpå maskinen anvendes, især den type arbejdsemne der behandles.

**⚠ ADVARSEL:** Sørg for at identificere de sikkerhedsforskrifter til beskyttelse af operatøren, som er baseret på en vurdering af eksponering under de faktiske brugsforhold (med hensyntagen til alle dele i brugscyklussen, f.eks. de gange, hvor maskinen er slukket, og når den kører i tomgang i tilgift til afbrydertiden).

## Overensstemmelseserklæringer

### Kun for lande i Europa

Overensstemmelseserklæringerne er inkluderet i Bilag A i denne brugsanvisning.

## SIKKERHEDSADVARSLER

### Almindelige sikkerhedsregler for el-værktøj

**⚠ ADVARSEL** Læs alle sikkerhedsadvarsler, instruktioner, illustrationer og specifikationer, der følger med denne maskine. Hvis du ikke følger alle nedenstående instruktioner, kan det medføre elektrisk stød, brand og/eller alvorlig personskade.

### Gem alle advarsler og instruktioner til fremtidig reference.

Ordet "el-værktøj" i advarslerne henviser til det netforsyede (netledning) el-værktøj eller batteriforsyede (akku) el-værktøj.

### Sikkerhedsadvarsler for akku stiksav

1. Hold maskinen i de isolerede håndtagsflader, når der udføres et arbejde, hvor det skærende tilbehør kan komme i kontakt med skjulte ledninger. Skærende tilbehør, som kommer i kontakt med en strømførende ledning, kan bevirke, at udsatte metaldele på maskinen bliver strømførende, hvorved operatøren kan få elektrisk stød.
2. Anvend spændestykker eller en anden praktisk måde til at fastspænde og støtte arbejdsemnet til en stabil flade. Hvis arbejdsemnet holdes med hånden eller støttes mod kroppen, vil det være ustabil, hvilket kan medføre, at De mister kontrollen over det.
3. Anvend altid sikkerhedsbriller eller beskyttelsesbriller. Almindelige briller eller solbriller er IKKE sikkerhedsbriller.

4. Undgå at save i søm. Tjek arbejdsemnet for søm, og fjern dem, før arbejdet påbegyndes.
5. Sav ikke i for store arbejdsemner.
6. Kontrollér, at der er korrekt afstand rundt om arbejdsemnet, før savningen foretages, så stiksavklingen ikke rammer gulvet, arbejdsbænken osv.
7. Hold godt fast i maskinen.
8. Sørg for, at stiksavklingen ikke kommer i kontakt med arbejdsemnet, før kontakten tændes.
9. Hold hænderne væk fra bevægelige dele.
10. Lad ikke maskinen køre. Anvend kun maskinen, når den holdes i hænderne.
11. Sluk altid for maskinen, og vent på, at stiksavklingen standser helt, før du fjerner stiksavklingen fra arbejdsemnet.
12. Undlad at berøre stiksavklingen eller arbejdsemnet umiddelbart efter anvendelse; De kan være ekstremt varme og kan forårsage forbrænding af huden.
13. Anvend ikke maskinen unødigt uden belastning.
14. Nogle materialer indeholder kemikalier, der kan være giftige. Sørg for at undgå at indånde støv samt kontakt med huden. Overhold materialeleverandørens sikkerhedsdata.
15. Anvend altid korrekt støvmaske/ånde-rætsvørn i henhold til det materiale og den anvendelse, De arbejder med.

## GEM DISSE FORSKRIFTER.

**⚠ ADVARSEL:** LAD IKKE bekvemmelighed eller kendskab til produktet (opnået gennem gentagen brug) forhindre, at sikkerhedsforskrifterne for produktet nøje overholdes. MISBRUG eller for-sømmelse af at følge de i denne brugsvejledning givne sikkerhedsforskrifter kan medføre alvorlig personskade.

### Vigtige sikkerhedsinstruktioner for akkuen

1. Læs alle instruktioner og advarselsmærkater på (1) akku-opladeren, (2) akkuen og (3) produktet, som anvender akku.
2. Adskil eller ændr ikke akkuen. Det kan muligvis resultere i en brand, overdreven varme eller eksplosion.
3. Hold straks op med anvendelsen, hvis brugstiden er blevet stærkt afkortet. Fortsat anvendelse kan resultere i risiko for overophedning, forbrændinger og endog eksplosion.
4. Hvis De har fået elektrolytvæske i øjnene, skal De straks skylle den ud med rent vand og derefter øjeblikkeligt søge lægehjælp. I modsat fald kan De miste synet.
5. Vær påpasselig med ikke at komme til at kortslutte akkuen:
  - (1) Rør ikke ved terminalerne med noget ledende materiale.
  - (2) Undgå at opbevare akkuen i en beholder sammen med andre genstande af metal, for eksempel søm, mønter og lignende.
  - (3) Udsæt ikke akkuen for vand eller regn.

Kortslutning af akkuen kan forårsage en kraftig øgning af strømmen, overophedning, mulige forbrændinger og endog værktøjstop.

- Opbevar og brug ikke maskinen og akkuen på steder, hvor temperaturen muligvis kan nå eller overstige 50 °C.
- Lad være med at brænde akkuen, selv ikke i tilfælde, hvor den har lidt alvorlig skade eller er fuldstændig udtjent. Akkuen kan eksplodere, hvis man forsøger at brænde den.
- Slå ikke søm i, skær ikke i, knus, kast, tab ikke akkuen og stød ikke akkuen mod en hård genstand. Sådanne adfærd kan muligvis resultere i en brand, overdreven varme eller eksplosion.
- Anvend ikke en beskadiget akku.
- De indbyggede litium-ion-batterier er underlagt lovkrav vedrørende farligt gods. Ved kommerciel transport, f.eks. af tredjeparts transportselskaber, skal særlige krav til forpakning og mærkning overholdes. Ved forberedelse af udstyret til forsendelse skal du kontakte en ekspert i farligt gods. Overhold også eventuel mere detaljeret national lovgivning. Tape eller tildæk åbne kontakter, og pak batteriet på en måde, så det ikke kan flytte sig rundt i pakningen.
- Når akkuen bortskaffes, skal du fjerne den fra maskinen og bortskaffe den på et sikkert sted. Følg de lokale love vedrørende bortskaffelsen af batterier.
- Brug kun batterierne med de produkter, som Makita specificerer. Hvis batterierne installeres i ikke-kompatible produkter, kan det medføre brand, kraftig varme, eksplosion eller udsivning af elektrolyt.
- Hvis maskinen ikke skal bruges i længere tid ad gangen, skal du fjerne batteriet fra maskinen.
- Akkuen kan muligvis under og efter brug være varm, hvilket kan forårsage forbrændinger eller lavtemperaturforbrændinger. Vær påpasselig med håndtering af varme akkuer.
- Rør ikke terminalen på maskinen straks efter brug, da den bliver varm nok til at forårsage forbrændinger.
- Sørg for, at spåner, støv eller jord ikke sætter sig fast i akkuens terminaler, huller og riller. Det kan forårsage opvarmning, antændelse, sprængning og funktionsfejl i maskinen eller akkuen, hvilket kan medføre forbrændinger eller personskade.
- Medmindre maskinen understøtter brugen i nærheden af elektriske højspændingsledninger, skal du ikke anvende akkuen i nærheden af elektriske højspændingsledninger. Det kan muligvis medføre funktionsfejl på eller nedbrud af maskinen eller akkuen.
- Opbevar batteriet utilgængeligt for børn.

## GEM DENNE BRUGSANVISNING.

**⚠FORSIGTIG:** Brug kun originale batterier fra Makita. Brug af uoriginale Makita-batterier, eller batterier som er blevet ændret, kan muligvis medføre brud på batteriet, hvilket kan forårsage brand, personskade eller beskadigelse. Det ugyldiggør også Makita-garantien for Makita-maskinen og opladeren.

## Tips til opnåelse af maksimal akku-levetid

- Oplad akkuen, inden den er helt afladet. Stop altid værktøjet, og oplad akkuen, hvis De bemærker, at værktøjeffekten er aftagende.
- Genoplad aldrig en fuldt opladet akku. Overopladning vil afkorte akkuens levetid.
- Oplad akkuen ved stuetemperatur ved 10 °C - 40 °C. Lad altid en varm akku få tid til at køle af, inden den oplades.
- Når du ikke anvender akkuen, skal du fjerne den fra maskinen eller opladeren.
- Oplad akkuen, hvis De ikke skal bruge den i længere tid (mere end seks måneder).

## FUNKTIONSBESKRIVELSE

**⚠FORSIGTIG:** Sørg altid for at maskinen er slukket, og at akkuen er taget ud, før der udføres justering eller kontrol af funktioner på maskinen.

### Isætning eller fjernelse af akkuen

**⚠FORSIGTIG:** Sluk altid for værktøjet, før De monterer eller fjerner akkuen.

**⚠FORSIGTIG:** Hold værktøjet og akkuen fast ved montering eller fjernelse af akkuen. Hvis De ikke holder værktøjet og akkuen fast, kan de glide ud af hænderne på Dem og forårsage beskadigelse af værktøjet og akkuen eller personskade.

For at montere akkuen skal du justere tungen på akkuen med rillen i huset og skubbe den på plads. Indsæt den hele vejen, indtil den låses på plads med et lille klik. Hvis du kan se den røde indikator, som vist i figuren, er den ikke helt låst.

Akkuen fjernes ved, at De trækker den ud af værktøjet, idet De skyder knappen på forsiden af akkuen i stilling.

► Fig.1: 1. Rød indikator 2. Knap 3. Akku

**⚠FORSIGTIG:** Monter altid akkuen helt, indtil den røde indikator ikke længere er synlig. Hvis dette ikke gøres, kan den falde ud af værktøjet ved et uheld, hvorved De selv eller personer i nærheden kan komme til skade.

**⚠FORSIGTIG:** Brug ikke magt ved montering af akkuen. Hvis akkuen ikke glider på plads uden problemer, betyder det, at den ikke sættes i på korrekt vis.

## Beskyttelsessystem til værktøj/batteri

Maskinen er udstyret med et beskyttelsessystem til maskinen/batteriet. Dette system afbryder automatisk strømmen til motoren for at forlænge maskinens og batteriets levetid. Maskinen stopper automatisk under brugen, hvis maskinen eller batteriet udsættes for et af følgende forhold:

## Overbelastningsbeskyttelse

Når maskinen eller batteriet betjenes på en måde, der får den/det til at bruge unormalt meget strøm, stopper maskinen automatisk uden nogen indikation. I denne situation skal du slukke for maskinen og stoppe den anvendelse, der medførte, at maskinen blev overbelastet. Tænd derefter maskinen for at starte igen.

## Beskyttelse mod overophedning

Hvis maskinen eller batteriet er overophedet, stopper maskinen automatisk, og lampen blinker. Lad i så fald maskinen og batteriet køle ned, før der tændes for maskinen igen.

## Beskyttelse mod overafledning

Når batteriladningen ikke er tilstrækkelig, stopper maskinen automatisk. I så fald skal du afmontere batteriet fra maskinen og oplade batteriet.

## Beskyttelse mod andre årsager

Beskyttelsessystemet er også designet til andre årsager, der kan beskadige maskinen og giver maskinen mulighed for at stoppe automatisk. Benyt alle nedenstående trin for at fjerne årsagerne, når maskinen midlertidigt er blevet bragt til standsning eller sat ud af drift.

1. Sluk for maskinen, og tænd den derefter igen for at genstarte.
2. Genoplad batteriet/batterierne, eller udskift det/dem med genopladet batteri/genopladede batterier.
3. Lad maskinen og batteriet/batterierne køle ned.
















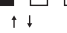
Hvis der ikke sker nogen forbedring ved at gen-danne beskyttelsessystemet, kontaktes det lokale Makita-servicecenter.

## Indikation af den resterende batteriladning

### Kun til akkuer med indikatorer

Tryk på kontrolknappen på akkuen for at få vist den resterende batteriladning. Indikatorlampen lyser i nogle sekunder.

► **Fig.2:** 1. Indikatorlamper 2. Kontrolknap

Indikatorlamper			Resterende ladning
 Tændt	 Slukket	 Blinker	
			75% til 100%
			50% til 75%
			25% til 50%
			0% til 25%
			Genoplad batteriet.
  ↑ ↓	 		Der er muligvis fejl i batteriet.

**BEMÆRK:** Afhængigt af brugsforholdene og den omgivende temperatur kan indikationen afvige en smule fra den faktiske ladning.

**BEMÆRK:** Den første indikatorlampe (længst mod venstre) vil blinke, når batteribeskyttelsessystemet aktiveres.

## Valg af skæremåde

Denne maskine kan anvendes med en roterende skæremåde eller i en lige linje (op og ned). Den roterende skæremåde kaster stiksavklingen fremad og øger skærehastigheden.

► **Fig.3:** 1. Omskifter til valg af skæremåde

Hvis du vil ændre skæremåden, skal du dreje omskifteren til valg af skæremåde til den ønskede skæremådeposition. Se tabellen for at vælge den egnede skæremåde.

Position	Skæremåde	Anvendelser
0	Lige skæremåde	Til skæring i almindeligt stål, rustfrit stål og plast. Til rene snit i træ og krydsfiner.
I	Skæremåde med lille penduludsving	Til skæring i almindeligt stål, aluminium og hårdt træ.
II	Skæremåde med middelstort penduludsving	Til skæring i træ og krydsfiner. Til hurtig skæring i aluminium og almindeligt stål.
III	Skæremåde med stort penduludsving	Til hurtig skæring i træ og krydsfiner.

## Tænding af lampen foran

**⚠FORSIGTIG:** Kig aldrig direkte på lyskilden. Lad ikke lyset falde i Deres øjne.

Tryk på lås/oplås-knappen for at tænde for lampen. Tryk på lås/oplås-knappen igen for at slukke for lampen.

► **Fig.4:** 1. Lampe 2. Lås/oplås-knap

**BEMÆRKNING:** Når maskinen er overophedet, blinker lampen. Køl maskinen helt ned, før du bruger maskinen igen.

**BEMÆRK:** Brug en tør klud til at tørre snavset af lampens linse. Pas på ikke at ridse lampens linse, da dette muligvis kan dæmpe belysningen.

## Afbryderbetjening

Tryk på lås/oplås-knappen for at tænde for maskinen. Maskinen går i standbytilstand. Maskinen startes ved at trykke på start/stop-knappen i standbytilstand. Tryk på start/stop-knappen igen for at stoppe maskinen. Maskinen går i standbytilstand. Tryk på lås/oplås-knappen i standbytilstand for at slukke for maskinen.

► **Fig.5:** 1. Lås/oplås-knap 2. Start/stop-knap

**BEMÆRK:** Hvis maskinen efterlades i standbytilstand i 10 sekunder uden nogen betjening, slukker maskinen automatisk, og lampen går ud.

**BEMÆRK:** Du kan også stoppe maskinen og slukke for den ved at trykke på lås/oplås-knappen, mens maskinen kører.

Hvis du vil reducere lampens lysstyrke, skal du trykke på lås/oplås-knappen og holde den nede, når du skifter til standbytilstand. Ca. 1 sekund efter at du begynder at trykke på lås/oplås-knappen, begynder lampens lysstyrke at falde, så slip lås/oplås-knappen, når du når den ønskede lysstyrke. Den sætter også maskinen i standbytilstand. Ca. 3 sekunder efter at du begynder at trykke på lås/oplås-knappen, minimeres lampens lysstyrke, og derefter ændres lysstyrken ikke.

**BEMÆRK:** Lampens lysstyrke kan ikke justeres, mens maskinen er i standbytilstand. Hvis du vil justere lampens lysstyrke, skal du slukke for maskinen.

**BEMÆRK:** Der er ingen hukommelsesfunktion for lampens lysstyrke. Hvis du slukker lampen og derefter tænder den, maksimeres lampens lysstyrke hver gang.

## Hastighedsvælger

Maskinens hastighed kan ændres ved at dreje hastighedsvælgeren. Du kan opnå den største hastighed ved 5 og den laveste hastighed ved 1.

► **Fig.6:** 1. Hastighedsvælger

Se tabellen for at vælge den korrekte hastighed til det arbejdsemne, der skal skæres. Den korrekte hastighed kan dog variere med arbejdsemnets type eller tykkelse. Generelt vil højere hastigheder give dig mulighed for at skære arbejdsemner hurtigere, men levetiden for stik-savklingen vil blive reduceret.

Arbejdsemne	Tal
Træ	4 - 5
Almindeligt stål	3 - 5
Rustfrit stål	3 - 4
Aluminium	3 - 5
Plastik	1 - 4

**BEMÆRKNING:** Hastighedsvælgeren kan kun drejes så langt som 5 og tilbage til 1. Undlad at tvinge den forbi 5 eller 1, da hastighedsjusteringsfunktionen muligvis ikke længere fungerer.

## Elektronisk funktion

Maskinen er udstyret med elektroniske funktioner for nem betjening.

### Blød start

Funktionen blød start minimerer startstød, og får maskinen til at starte problemfrit.

### Konstant hastighedskontrol

Elektronisk hastighedskontrol til opnåelse af konstant hastighed. Det er muligt at få en pæn finish, fordi maskinens hastighed holdes konstant, selv under belastning.

### Funktion til blød rotation uden belastning

For at reducere vibrationen og nemt justere stiksavklingen ind efter skærelinjen reducerer maskinen automatisk maskinens hastighed, indtil maskinen begynder at skære i arbejdsemnet, når hastighedsvælgeren er indstillet til 2 eller højere. Når maskinen begynder at skære i arbejdsemnet, når maskinhastigheden når den forudindstillede hastighed og holder hastigheden, indtil maskinen stopper.

**BEMÆRK:** Hvis temperaturen er lav, er denne funktion muligvis ikke tilgængelig. Desuden, afhængigt af materialet, stiksavklingen og maskinhastigheden, er denne funktion muligvis ikke tilgængelig.

### Deaktivering eller aktivering af funktionen til blød rotation uden belastning

Følg nedenstående trin for at deaktivere eller aktivere funktionen til blød rotation uden belastning.

1. Sørg for, at maskinen er slukket.
2. Indstil hastighedsvælgeren til "1".
3. Tryk på lås/oplås-knappen for at tænde for maskinen.
4. Indstil hastighedsvælgeren til "5" ved at dreje den, og indstil den derefter til "1" ved at dreje den tilbage.

Lampen blinker to gange for at angive, at funktionen til blød rotation uden belastning er deaktiveret. Udfør den samme fremgangsmåde igen for at aktivere denne funktion igen.

**BEMÆRK:** Hvis funktionen til blød rotation uden belastning er deaktiveret, blinker lampen to gange, når maskinen tændes.

**BEMÆRK:** Du kan også deaktivere eller aktivere funktionen til blød rotation uden belastning ved at ændre hastighedsvælgeren fra "5" til "1" og ændre den fra "1" til "5".

## Elektrisk bremse

Denne maskine er udstyret med en elektrisk bremse. Hvis maskinen konsekvent ikke stopper hurtigt efter at have trykket på start/stop-knappen eller lås/oplås-knappen, skal maskinen serviceres hos et Makita-servicecenter.



# SAMLING

**⚠FORSIGTIG:** Sørg altid for at maskinen er slukket, og at akkuen er taget ud, før der udføres noget arbejde på maskinen.

## Montering eller afmontering af stiksavklingen

**⚠FORSIGTIG:** Rens altid alle spåner eller fremmedlegemer, der klæber til stiksavklingen og/eller klingeholderen. Hvis dette ikke sker, kan det medføre en utilstrækkelig tilspænding af stiksavklingen, hvilket kan medføre alvorlig personskade.

**⚠FORSIGTIG:** Undlad at berøre stiksavklingen eller arbejdsemnet umiddelbart efter anvendelse. De kan være meget varme og forårsage forbrænding af huden.

**⚠FORSIGTIG:** Fastgør altid stiksavklingen ordentligt. Utilstrækkelig tilspænding af stiksavklingen kan forårsage brud på klingens eller alvorlig personskade.

**⚠FORSIGTIG:** Anvend kun stiksavklinger af type B. Anvendelse af andre klinger end B-typen forårsager utilstrækkelig tilspænding af stiksavklingen, hvilket resulterer i alvorlig personskade.

**⚠FORSIGTIG:** Når du afmonterer stiksavklingen, skal du passe på ikke at skære fingrene på toppen af stiksavklingen eller på spidserne af arbejdsemnet.

Før stiksavklingen monteres, skal du sikre dig, at håndtaget til klingefastholderen er i den frigjorte position. For at montere stiksavklingen skal du indsætte stiksavklingen (tænderne vender fremad) i stiksavklingeholderen. Håndtaget til klingefastholderen bevæger sig til den fastgjorte position, og stiksavklingen låses fast. Sørg for, at bagkanten af stiksavklingen passer ind i rullen. Træk let i stiksavklingen for at sikre, at stiksavklingen ikke falder af under anvendelse.

► **Fig.7:** 1. Stiksavklingeholder 2. Håndtag til klingefastholder (frigjort position) 3. Håndtag til klingefastholder (fastgjort position)

► **Fig.8:** 1. Stiksavklingeholder 2. Stiksavklinge 3. Rulle

**⚠FORSIGTIG:** Hvis håndtaget til klingefastholderen ikke bevæger sig til den fastgjorte position, er stiksavklingen ikke monteret helt. Undlad at trykke håndtaget til klingefastholderen i den fastgjorte position med hånden. Dette kan beskadige maskinen.

Hvis du vil afmontere stiksavklingen, skal du skubbe håndtaget til klingefastholderen fremad så langt, som det kan komme. Dette gør det muligt at frigøre stiksavklingen.

► **Fig.9:** 1. Stiksavklingeholder 2. Håndtag til klingefastholder 3. Stiksavklinge

**BEMÆRK:** Hvis det er vanskeligt at afmontere stiksavklingen, skal du dreje omskifteren til valg af skæremåde til positionen "III" og flytte stiksavklingeholderen til bunden. For at flytte stiksavklingeholderen til bunden skal du sætte håndtaget til klingefastholderen helt tilbage til den faste position én gang og tænde maskinen let flere gange.

**BEMÆRK:** Smør regelmæssigt rullen.

## Opbevaring af unbrakonøgle

Når unbrakonøglen ikke bruges, opbevares den som vist i figuren for at forhindre, at den bliver væk.

► **Fig.10:** 1. Unbrakonøgle

# ANVENDELSE

**⚠FORSIGTIG:** Sørg altid for, at sålen flugter med arbejdsemnet. Forsømmelse af dette kan resultere i, at stiksavklingen knækker, hvilket kan føre til alvorlig personskade.

**⚠FORSIGTIG:** Før maskinen meget langsomt fremad, når De skærer kurver eller ruller. Brug af magt på maskinen kan medføre en skæv skæreflade, og at stiksavklingen knækker.

Tænd for maskinen, uden at stiksavklingen har kontakt, og vent, indtil stiksavklingen opnår fuld hastighed. Læg derefter sålen fladet på arbejdsemnet, og bevæg forsigtigt maskinen fremad langs den tidligere markerede skærelinje.

► **Fig.11:** 1. Skærelinje 2. Sål

## Skråsnit

**⚠FORSIGTIG:** Sørg altid for, at der er slukket for maskinen, og at akkuen er fjernet, før sålen vipres.

Når sålen er vippet, kan De foretage skråsnit i enhver vinkel mellem 0° og 45° (venstre eller højre).

► **Fig.12**

Løsn boltens bag på sålen ved hjælp af unbrakonøglen. Flyt sålen, så boltens sidder midt på det krydsformede hul i sålen.

► **Fig.13:** 1. Unbrakonøgle 2. Bolt 3. Sål

Vip sålen, til den ønskede skråvinkel er indstillet. Kanten af motorhuset viser skråvinklen med gradinddelinger. Stram derefter boltens for at fastgøre sålen.

► **Fig.14:** 1. Kant 2. Gradinddeling

## Snit i niveau med fronten

Løsn boltens i bunden af sålen med unbrakonøglen, og skub sålen hele vejen tilbage. Tilspænd derefter boltens for at fastgøre sålen.

► **Fig.15:** 1. Unbrakonøgle 2. Bolt 3. Sål



## Udskæringer

Udskæringer kan foretages med en af to metoder: "Boring af et starthul" eller "Stikskæring".

### Boring af et starthul

For interne udskæringer uden et indløbssnit fra kanten bores et starthul med en diameter på 12 mm eller derover. Indfør stiksvaklingen i hullet for at starte snittet.

► Fig.16

### Stikskæring

De behøver ikke at bore et starthul eller at foretage et indløbssnit, hvis De forsigtigt gør som følger.

1. Rør ved sålens forkant med arbejdsemnet, og vip maskinen med spidsen af stiksvaklingen placeret lige over arbejdsemnets overflade.
2. Tryk på maskinen, så forkanten af sålen ikke bevæger sig, når De tænder for maskinen, og sænk langsomt og forsigtigt bagenden af maskinen.
3. Når stiksvaklingen trænger ind i arbejdsemnet, sænkes maskinens sålen langsomt ned på arbejdsemnets overflade.
4. Fuldfør snittet på normal vis.

► Fig.17

## Færdiggørelse af kanter

Hvis De vil beskære kanter eller foretage størrelsesjusteringer, skal De føre stiksvaklingen forsigtigt langs de skarpe kanter.

► Fig.18

## Skæring i metal

Ved skæring i metal bør De altid anvende et egnet kølemiddel (skæreolie). Hvis De ikke gør det, medfører det et betydeligt slid på stiksvaklingen. Undersiden af arbejdsemnet kan smøres med fedt i stedet for at bruge et kølemiddel.

## Fjernelse af støv

### Montering eller afmontering af støvdækslet

Monter støvdækslet som vist i figuren.

► Fig.19: 1. Støvdæksel

For at fjerne støvdækslet skal du trykke på den ene side af dækslet og derefter fjerne det som vist i figuren.

► Fig.20: 1. Støvdæksel

### Montering eller afmontering af støvmundstykket

Du kan tilslutte denne maskine til en Makita-støvsuger ved at fastgøre støvmundstykket.

Sæt støvmundstykket hele vejen ind i maskinen.

► Fig.21: 1. Støvmundstykke

For at fjerne støvmundstykket trækkes støvmundstykket ud, idet der trykkes på knappen på støvmundstykket.

► Fig.22: 1. Knap 2. Støvmundstykke

## Tilslutning af maskinen til støvsugeren

Slut støvsugerens slange til støvmundstykket.

► Fig.23

## Parallelanslag

### Ekstraudstyr

**⚠FORSIGTIG:** Sørg altid for, at der er slukket for maskinen, og at akkuen er fjernet, før tilbehør monteres eller fjernes.

### Lige snit

Hvis De gentagne gange foretager snit af bredder på 160 mm eller mindre, sikrer brug af parallelanslaget hurtige, rene og lige snit.

► Fig.24: 1. Parallelanslag (støtteføringssæt)

Monter ved at indsætte stangdelen ind i det firkantede hul på sålen med anlagsdelen vendt nedad. Skub parallelanslaget til den ønskede skærebreddeposition, og tilspænd derefter bolten for at fastgøre det.

► Fig.25: 1. Unbrakonøgle 2. Bolt 3. Parallelanslag (støtteføringssæt)

### Cirkulære snit

Ved udskæring af cirkler eller buer med en radius på 170 mm eller derunder monteres parallelanslaget på følgende måde.

► Fig.26: 1. Parallelanslag (støtteføringssæt)

**⚠FORSIGTIG:** Undlad at berøre spidsen af den cirkulære føringstift. Den skarpe spids på den cirkulære føringstift kan forårsage personskade.

1. Indsæt stangdelen i det firkantede hul i sålen med anlagsdelen vendt opad.

2. Indsæt den cirkulære føringstift gennem et af de to huller på anlagsdelen. Skru knoppen med gevind på den cirkulære føringstift for at fastgøre den cirkulære føringstift.

► Fig.27: 1. Knop med gevind 2. Parallelanslag (støtteføringssæt) 3. Cirkulær føringstift 4. Bolt 5. Unbrakonøgle

3. Skub parallelanslaget til den ønskede skæreradius, og tilspænd bolten for at fastgøre det forsvarligt.

**BEMÆRK:** Brug altid stiksvaklinger nr. B-17, B-18, B-26 eller B-27 ved skæring af cirkler eller buer.

## Antisplint-anordning

### Ekstraudstyr

**⚠FORSIGTIG:** Antisplint-anordningen kan ikke anvendes, når der foretages skråsnit.

For splintfri snit kan antisplint-anordningen benyttes.

For at montere antisplint-anordningen skal du flytte maskinens fod hele vejen frem og montere den fra bagsiden af maskinens sål.

Hvis du bruger dækpladen, skal du montere antisplint-anordningen på dækpladen.

► Fig.28: 1. Sål 2. Antisplint-anordning

## Dækplade

Brug dækpladen, når du skærer i dekorativ finér, plast osv. Den beskytter følsomme eller sarte overflader mod skader. Montér den i bunden af maskinens sål.

► **Fig.29:** 1. Dækplade 2. Sål

## Styreskinneadaptersæt

### Ekstraudstyr

Når der skæres parallelt og med ens bredde eller ved lige snit, sikrer brug af styreskinne og styreskinneadaptersen frembringelse af hurtige og rene snit. For at montere styreskinneadaptersen skal du indsætte styrestangen så langt ind i det firkantede hul ind på maskinens sål, som den kan komme. Fastgør bolten forsvarligt med unbrakonøglen.

► **Fig.30:** 1. Unbrakonøgle 2. Styrestang 3. Bolt

Indsæt styrestangen i det firkantede hul ind på styreskinneadaptersen, og fastgør skruen forsvarligt. Placer styreskinneadaptersen på styreskinne.

► **Fig.31:** 1. Styreskinneadapter 2. Styreskinne 3. Skruer

**BEMÆRKNING:** Brug altid stiksavklinger nr. B-8, B-13, B-16, B-17 eller 58, når du bruger styreskinne og styreskinneadaptersen.

## VEDLIGEHOLDELSE

**⚠FORSIGTIG:** Vær altid sikker på, at værktøjet er slukket, og at akkuen er taget ud, inden De begynder at udføre inspektion eller vedligeholdelse.

**BEMÆRKNING:** Anvend aldrig benzin, rensbenzin, fortynder, alkohol og lignende. Det kan medføre misfarvning, deformering eller revner.

For at opretholde produktets SIKKERHED og PÅLIDELIGHED må reparation, vedligeholdelse eller justering kun udføres af et autoriseret Makita servicecenter eller fabrikksservicecenter med anvendelse af Makita reservedele.

## EKSTRAUDSTYR

**⚠FORSIGTIG:** Det følgende tilbehør og ekstraudstyr er anbefalet til brug med Deres Makita maskine, der er beskrevet i denne brugsanvisning. Anvendelse af andet tilbehør eller ekstraudstyr kan udgøre en risiko for personskade. Anvend kun tilbehør og ekstraudstyr til det beskrevne formål.

Hvis De behøver hjælp ved valg af tilbehør eller ønsker yderligere informationer, bedes De kontakte Deres lokale Makita servicecenter.

- Stiksavklinger
- Parallellanslagssæt (støtteføringssæt)
- Styreskinneadaptersæt
- Antisplint-anordning
- Dækplade
- Støvmundstykke
- Støvdæksel
- Original Makita-akku og oplader

**BEMÆRK:** Nogle ting på denne liste kan være inkluderet i værktøjspakken som standardtilbehør. Det kan være forskellige fra land til land.

## SPECIFIKĀCIJAS

<b>Modelis:</b>		<b>DJV185</b>
Gājienu garums		23 mm
Gājienu skaits minūtē		800–3 000 min <sup>-1</sup>
Asmens veids		B veids
Maks. zāģēšanas jauda	Koks	135 mm
	Mīksts tērauds	10 mm
	Alumīnijs	20 mm
Kopējais garums (ar BL1860B)		259 mm
Nominālais spriegums		Līdzstrāva 18 V
Neto svars		2,0–2,3 kg

- Nepārtrauktās izpētes un izstrādes programmas dēļ šeit uzrādītās specifikācijas var tikt mainītas bez brīdinājuma.
- Atkarībā no valsts specifikācijas var atšķirties.
- Svārs var būt atšķirīgs atkarībā no papildierīces(-ēm), tostarp akumulatora kasetnes. Tabulā ir attēlota vieglākā un smagākā kombinācija atbilstoši EPTA procedūrai 01/2014.

## Piemērotā akumulatora kasetne un lādētājs

Akumulatora kasetne	BL1815N / BL1820B / BL1830B / BL1840B / BL1850B / BL1860B
Lādētājs	DC18RC / DC18RD / DC18RE / DC18SD / DC18SE / DC18SF / DC18SH / DC18WC

- Daži no iepriekš norādītajiem lādētājiem un akumulatora kasetnēm var nebūt pieejami atkarībā no jūsu mītnes reģiona.

**▲BRĪDINĀJUMS:** Izmantojiet vienīgi iepriekš norādītās akumulatora kasetnes un lādētājus. Cita tipa akumulatora kasetņu un lādētāju izmantošana var radīt traumu un/vai aizdegšanās risku.

## Paredzētā lietošana

Šis darbarīks ir paredzēts koka, plastmasas un metāla materiālu zāģēšanai.

## Trokšņa līmenis

Tipiskais A svērtais trokšņa līmenis noteikts saskaņā ar EN62841-2-11:

Skaņas spiediena līmeni ( $L_{pA}$ ): 84 dB (A)

Skaņas jaudas līmeni ( $L_{WA}$ ): 95 dB (A)

Mainīgums (K): 3 dB (A)

**PIEZĪME:** Paziņotā trokšņa emisijas vērtība noteikta atbilstoši standarta pārbaudes metodei, un to var izmantot, lai salīdzinātu vienu darbarīku ar citu.

**PIEZĪME:** Paziņoto trokšņa emisijas vērtību arī var izmantot iedarbības sākotnējā novērtējumā.

**▲BRĪDINĀJUMS:** Lietojiet ausu aizsargus.

**▲BRĪDINĀJUMS:** Trokšņa emisija patiesos darba apstākļos var atšķirties no paziņotās vērtības atkarībā no darbarīka izmantošanas veida un jo īpaši atkarībā no apstrādājamā materiāla veida.

**▲BRĪDINĀJUMS:** Lai aizsargātu lietotāju, nosakiet drošības pasākumus, kas pamatoti ar iedarbību reālos darba apstākļos (ņemot vērā visus ekspluatācijas cikla posmus, piemēram, laiku, kamēr darbarīks ir izslēgts un kad darbojas tukšgaitā, kā arī palaides laiku).

## Vibrācija

Vibrācijas kopējā vērtība (trīsasu vektora summa)

noteikta atbilstoši EN62841-2-11:

Darba režīms: plātņu zāģēšana

Vibrācijas emisija ( $a_{h,B}$ ): 10,3 m/s<sup>2</sup>

Mainīgums (K): 1,7 m/s<sup>2</sup>

Darba režīms: skārda lokšņu griešana

Vibrācijas emisija ( $a_{h,M}$ ): 9,0 m/s<sup>2</sup>

Mainīgums (K): 1,5 m/s<sup>2</sup>

**PIEZĪME:** Paziņotā kopējā vibrācijas vērtība noteikta atbilstoši standarta pārbaudes metodei, un to var izmantot, lai salīdzinātu vienu darbarīku ar citu.

**PIEZĪME:** Paziņoto kopējo vibrācijas vērtību arī var izmantot iedarbības sākotnējā novērtējumā.

**▲BRĪDINĀJUMS:** Vibrācijas emisija patiesos darba apstākļos var atšķirties no paziņotās vērtības atkarībā no darbarīka izmantošanas veida un jo īpaši atkarībā no apstrādājamā materiāla veida.

**▲BRĪDINĀJUMS:** Lai aizsargātu lietotāju, nosakiet drošības pasākumus, kas pamatoti ar iedarbību reālos darba apstākļos (ņemot vērā visus ekspluatācijas cikla posmus, piemēram, laiku, kamēr darbarīks ir izslēgts un kad darbojas tukšgaitā, kā arī palaides laiku).

## Atbilstības deklarācijas

### Tikai Eiropas valstīm

Atbilstības deklarācijas šajā lietošanas rokasgrāmatā ir iekļautas kā A pielikums.

## DROŠĪBAS BRĪDINĀJUMI

### Vispārīgi elektrisko darbarīku drošības brīdinājumi

**▲BRĪDINĀJUMS** Izlasiet visus drošības brīdinājumus, norādījumus un tehniskos datus un izpētiet ilustrācijas, kas iekļautas šā elektriskā darbarīka komplektā. Neievērojot visus tālāk minētos noteikumus, iespējams elektriskās strāvas triecienu, aizdegšanās un/vai smagu traumu risks.

### Glabājiet visus brīdinājumus un norādījumus, lai varētu tajos ieskatīties turpmāk.

Termins „elektrisks darbarīks” brīdinājumos attiecas uz tādu elektrisko darbarīku, ko darbina ar elektrību (ar vadu), vai tādu, ko darbina ar akumulatoru (bez vada).

### Drošības brīdinājumi bezvada figūrzāģa lietošanai

1. Strādājot turiet mehānisko darbarīku aiz izolētajām satveršanas virsmām, ja griezējinstrumenti varētu saskarties ar neredzamu elektroinstalāciju. Griezējinstrumentam saskaroties ar vadu zem sprieguma, spriegums var tikt pārnest uz mehāniskā darbarīka metāla daļām, un, iespējams, radīt operatoram elektrotraumu.
2. Ar skavām vai citā praktiskā veidā nostipriniet apstrādājamo materiālu un atbalstiet pret stabilu platformu. Turot materiālu ar roku vai pie sava ķermeņa, tas ir nestabilā stāvoklī, un jūs varat zaudēt kontroli pār to.
3. Vienmēr lietojiet aizsargbrilles. Parastās brilles vai saulesbrilles NAV aizsargbrilles.
4. Negrieziet naglas. Pirms sākt darbu pārbaudiet, vai apstrādājamajā materiālā nav naglas, un tās izņemiet.
5. Negrieziet pārāk lielu apstrādājamo materiālu.
6. Pirms zāģēšanas pārbaudiet, vai apstrādājamo materiālu ir pietiekams attālums, lai figūrzāģa asmens nepieskartos grīdai, darbagaldam u. c.

7. Darbarīku turiet cieši.
8. Pirms slēdža ieslēgšanas pārliecinieties, ka figūrzāģa asmens nepieskaras apstrādājamajam materiālam.
9. Netuviniet rokas kustīgajām daļām.
10. Neatstājiet darbarīku ieslēgtu. Darbarīku darbiniet vienīgi tad, ja turat to rokās.
11. Pirms figūrzāģa asmens izņemšanas no apstrādājamā materiāla vienmēr jāizslēdz darbarīks un jānogaida, līdz asmens pavisam apstājas.
12. Nepieskarieties figūrzāģa asmenim vai apstrādājamajam materiālam tūlīt pēc darba veikšanas; tie var būt ļoti karsti un apdedzināt ādu.
13. Lieki nedarbiniet darbarīku bez slodzes.
14. Daži materiāli satur ķīmiskas vielas, kas var būt toksiskas. Izvairieties no putekļu ieelpošanas un to nokļūšanas uz ādas. Ievērojiet materiāla piegādātāja drošības datus.
15. Vienmēr izmantojiet materiālam un konkrētam gadījumam piemērotu putekļu masku/respiratoru.

## SAGLABĀJIET ŠOS NORĀDĪJUMUS.

**▲BRĪDINĀJUMS:** NEPIELĀUJIET to, ka labu iemaņu vai izstrādājuma labas pārzināšanas (darbarīku atkārtoti ekspluatējot) rezultātā vairs stingri neievērojāt šī izstrādājuma drošības noteikumus. NEPAREIZI LIETOJOT darbarīku vai neievērojot šajā instrukciju rokasgrāmatā minētos drošības noteikumus, var tikt gūtas smagas traumas.

### Svarīgi drošības norādījumi par akumulatora kasetni

1. Pirms akumulatora lietošanas izlasiet visus norādījumus un brīdinājumus, kuri attiecas uz (1) akumulatora lādētāju, (2) akumulatoru un (3) ierīci, kurā tiek izmantots akumulators.
2. Akumulatora kasetni nedrīkst ne pārveidot, ne izjaukt. Citādi var tikt izraisīta aizdegšanās, pārmerīgs karstums vai sprādziens.
3. Ja akumulatora darbības laiks kļūva ievērojami īsāks, nekavējoties pārtrauciet to izmantot. Citādi, tas var izraisīt pārkaršējumu, uzliesmojumu vai pat sprādzienu.
4. Ja elektrolīts nonāk acīs, izskalojiet tās ar tīru ūdens un nekavējoties griezieties pie ārsta. Tas var izraisīt redzes zaudēšanu.
5. Neradiet īssavienojumu akumulatora kasetnē:
  - (1) Nepieskarieties spailēm ar elektrību vadošiem materiāliem.
  - (2) Neuzglabājiet akumulatoru kasetni kopā ar citiem metāla priekšmetiem, tādiem kā naglas, monētas u. c.
  - (3) Nepakļaujiet akumulatora kasetni ūdens vai lietus iedarbībai.Akumulatora īssavienojums var radīt spēcīgu strāvas plūsmu, pārkaršanu, uzliesmojumu un pat sabojāt akumulatoru.
6. Neglabājiet neizmantojiet darbarīku un akumulatora kasetni vietās, kur temperatūra var sasniegt vai pārsniegt 50 °C (122 °F).

7. Nededziniet akumulatora kasetni, pat ja tā ir stipri bojāta vai pilnībā nolietota. Akumulatora kasetne ugunī var eksplodēt.
8. Akumulatora kasetni nedrīkst naglot, griezt, saspīest, mest vai nometst, kā arī pa to nedrīkst sist ar cietu priekšmetu. Šādas darbības var izraisīt aizdegšanos, pārmērīgu karstumu vai sprādzienu.
9. Neizmantojiet bojātu akumulatoru.
10. Uz izmantotajiem litija jonu akumulatoriem attiecas likumdošanas prasības par bīstamiem izstrādājumiem.  
Komerציālā transportēšanā, ko veic, piemēram, trešās puses, transporta uzņēmumi, jāievēro uz iesaiņojuma un marķējuma norādītās īpašās prasības.  
Lai izstrādājumu sagatavotu nosūtīšanai, jāsaziņās ar bīstamo materiālu speciālistu. Ievērojiet arī citus attiecināmos valsts normatīvus.  
Valējus kontaktus nosedziet ar līmlenti vai citādi pārklājiet, bet akumulatoru iesaiņojiet tā, lai sainītas nevarētu izkustēties.

11. Lai utilizētu akumulatora kasetni, izņemiet to no darbarīka un likvidējiet drošā vietā. Ievērojiet vietējos noteikumus par akumulatora likvidēšanu.
12. Izmantojiet šos akumulatorus tikai ar izstrādājumiem, kuros norādījis Makita. Ievietojot šos akumulatorus nesaderīgos izstrādājumos, var rasties ugunsgrēks, pārmērīgs karstums, tie var uzsprāgt vai no tiem var iztecēt elektrolīts.
13. Ja darbarīks netiks lietots ilgu laiku, no tā jāizņem akumulators.
14. Lietošanas laikā vai pēc tās akumulatora kasetne var uzkrāt siltumu, kas var izraisīt apdegumus vai zemas temperatūras apdegumus. Ar karstu akumulatora kasetni apejieties rūpīgi.
15. Nepieskarieties darbarīka izvadam uzreiz pēc lietošanas, jo tas var būt sakarsis un izraisīt apdegumus.
16. Neļaujiet akumulatora kasetnes spaiļēs, atverēs un rievās uzkrāties skaidām, putekļiem vai netīrumiem. Tas var izraisīt sasilšanu, aizdegšanos, sprādzienu un instrumenta vai akumulatora kasetnes nepareizu darbību, un lietotājs var gūt apdegumus vai ievainojumus.
17. Neizmantojiet akumulatora kasetni augstsprieguma līniju tuvumā, izņemot gadījumus, kad darbarīks ir piemērots lietošanai augstsprieguma līniju tuvumā. Citādi darbarīks vai akumulatora kasetne var sākt darboties nepareizi vai tikt sabojāti.
18. Glabājiet akumulatoru bērniem nepieejamā vietā.

## SAGLABĀJIET ŠOS NORĀDĪJUMUS.

**⚠UZMANĪBU:** Lietojiet tikai oriģinālos Makita akumulatorus. Ja lietojat neoriģinālus Makita akumulatorus vai pārveidotus akumulatorus, tie var uzsprāgt un izraisīt aizdegšanos, traumas un materiālos zaudējumus. Tiks anulēta arī Makita darbarīka un lādētāja garantija.

## Ieteikumi akumulatora kalpošanas laika pagarināšanai

1. Uzlādējiet akumulatora kasetni, pirms tā ir pilnībā izlādējusies. Vienmēr, kad ievērojat, ka darbarīka darba jauda zudusi, apturiet darbarīku un uzlādējiet akumulatora kasetni.
2. Nekad neuzlādējiet pilnībā uzlādētu akumulatora kasetni. Pārmērīga uzlāde saīsina akumulatora kalpošanas laiku.
3. Uzlādējiet akumulatora kasetni istabas temperatūrā 10 °C - 40 °C. Karstai akumulatora kasetnei pirms uzlādes ļaujiet atdzist.
4. Kad akumulatora kasetne netiek izmantota, izņemiet to no darbarīka vai lādētāja.
5. Uzlādējiet litija jonu akumulatora kasetni, ja to ilgstoši nelietosit (vairāk nekā sešus mēnešus).

## FUNKCIJU APRAKSTS

**⚠UZMANĪBU:** Pirms darbarīka regulēšanas vai tā darbības pārbaudes vienmēr pārliecinieties, ka darbarīks ir izslēgts un akumulatora kasetne ir izņemta.

## Akumulatora kasetnes uzstādīšana un izņemšana

**⚠UZMANĪBU:** Vienmēr pirms akumulatora kasetnes uzstādīšanas vai noņemšanas izslēdziet darbarīku.

**⚠UZMANĪBU:** Uzstādot vai izņemot akumulatora kasetni, darbarīku un akumulatora kasetni turiet cieši. Ja darbarīku un akumulatora kasetni netur cieši, tie var izkrist no rokām un radīt bojājumus darbarīkam un akumulatora kasetnei, kā arī izraisīt ievainojumus.

Lai uzstādītu akumulatora kasetni, salāgojiet akumulatora kasetnes mēlīti ar rievu ietvarā un iebīdīet to vietā. Ievietojiet to līdz galam, līdz tā ar klikšķi nofiksējas. Ja redzams attēlā parādītais sarkanais krāsas indikators, tas nozīmē, ka tas nav pilnīgi nofiksēts.

Lai izņemtu akumulatora kasetni, izvelciet to no darbarīka, pārbīdot kasetnes priekšpusē esošo pogu.

► **Att.1:** 1. Sarkanais krāsas indikators 2. Poga 3. Akumulatora kasetne

**⚠UZMANĪBU:** Vienmēr ievietojiet akumulatora kasetni tā, lai sarkanais indikators nebūtu redzams. Pretējā gadījumā tā var nejauši izkrist no darbarīka un izraisīt jums vai apkārtējiem traumas.

**⚠UZMANĪBU:** Neievietojiet akumulatora kasetni ar spēku. Ja kasetne neslīd ietvarā viegli, tā nav pareizi ielikta.

## Darbarīka/akumulatora aizsardzības sistēma

Darbarīkam ir darbarīka/akumulatora aizsardzības sistēma. Šī sistēma automātiski izslēdz strāvas padevi motoram, lai pagarinātu darbarīka un akumulatora darbību. Lietošanas laikā darbarīks automātiski pārstās darboties, ja darbarīku vai akumulatoru pakļaus kādam no šādiem apstākļiem.

### Aizsardzība pret pārslodzi

Ja darbarīku/akumulatoru lieto tā, ka tas patērē pār mērīgi lielu strāvas daudzumu, darbarīks automātiski un bez iepriekšēja brīdinājuma pārstāj darboties. Šādā gadījumā izslēdziet darbarīku un pārtrauciet darbību, kas izraisa darbarīka pārslodzi. Pēc tam ieslēdziet darbarīku, lai atsāktu darbu.

### Aizsardzība pret pārkaršanu

Ja darbarīks vai akumulators ir pārkaris, darbarīks automātiski izslēdzas un sāk mirgot lampa. Šādā gadījumā ļaujiet darbarīkam un akumulatoram atdzist un tikai tad atkal ieslēdziet darbarīku.

### Aizsardzība pret akumulatora pārmērīgu izlādi

Ja atlikušā akumulatora jauda ir nepietiekama, darbarīks automātiski pārstāj darboties. Šādā gadījumā izņemiet no darbarīka akumulatoru un uzlādējiet to.

### Aizsardzība pret citiem cēloņiem

Aizsardzības sistēma ir paredzēta arī pret citiem cēloņiem, kas varētu radīt darbarīka bojājumus, un nodrošina automātisku darbarīka apturēšanu. Ja darbarīka darbība ir īslaicīgi apstājusies vai tas pārstājis darboties, veiciet visas tālāk norādītās darbības, lai novērstu cēloņus.

1. Izsēdziet un ieslēdziet darbarīku, lai to no jauna iedarbinātu.
2. Uzlādējiet akumulatoru(-s) vai nomainiet to(-s) ar uzlādētu(-iem) akumulatoru(-iem).
3. Ļaujiet darbarīkam un akumulatoram(-iem) atdzist.









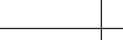







Ja pēc aizsardzības sistēmas atjaunošanas nav uzlabojumu, sazinieties ar vietējo Makita tehniskās apkopes centru.

## Atlikušās akumulatora jaudas indikators

### Tikai akumulatora kasetnēm ar indikatoru

Nospiediet akumulatora kasetnes pārbaudes pogu, lai pārbaudītu akumulatora atlikušo uzlādes līmeni. Indikatorī iedegsies uz dažām sekundēm.

► **Att.2:** 1. Indikatora lampas 2. Pārbaudes poga

Indikatora lampas			Atlikušā jauda
 Iededzies	 Izslēgts	 Mirgo	
			No 75% līdz 100%
			No 50% līdz 75%
			No 25% līdz 50%
			No 0% līdz 25%
			Uzlādējiet akumulatoru.
			Iespējama akumulatora kļūme.
			

**PIEZĪME:** Reālā jauda var nedaudz atšķirties no norādītās atkarībā no lietošanas apstākļiem un apkārtējās temperatūras.

**PIEZĪME:** Akumulatora aizsardzības sistēmas darbības laikā mirgo pirmais (kreisais malējais) indikators.

## Zāģēšanas režīma izvēle

Šo instrumentu var izmantot riņķveida kustības vai taisnvirziena (augšup, lejup) zāģēšanai. Zāģējot riņķveida trajektorijā, asmens tiek spiests uz priekšu, palielinot zāģēšanas ātrumu.

► **Att.3:** 1. Zāģēšanas darbības maiņas svira

Lai mainītu zāģēšanas režīmu, pagrieziet zāģēšanas režīma maiņas sviru vēlamā zāģēšanas režīma stāvoklī. Lai izvēlētos pareizo zāģēšanas režīmu, skatiet tabulu.

Stāvoklis	Zāģēšanas darbība	Lietojums
0	Zāģēšana taisnā līnijā	Miksta tērauda, nerūsējoša tērauda un plastmasas griešanai. Precīziem griezumiem kokā un finierī.
I	Neliela griešana ekscentra režīmā	Miksta tērauda, alumīnija un cietkoksnes griešanai.
II	Vidēja lieluma ekscentra griešana	Koka un finiera zāģēšanai. Ātrai iegriešanai alumīnijā un mīkstā tēraudā.
III	Liela ekscentra griešana	Ātrai iegriešanai kokā un finierī.

## Priekšējās lampas ieslēgšana

**⚠ UZMANĪBU:** Neskatieties gaismā, neļaujiet tās avotam iespīdēt acīs.

Lai ieslēgtu lampu, nospiediet atbloķēšanas/bloķēšanas pogu. Lai izslēgtu lampu, nospiediet atbloķēšanas/bloķēšanas pogu.

► **Att.4:** 1. Lampa 2. Bloķēšanas/atbloķēšanas poga

**IEVĒRĪBA!** Ja darbarīks ir pārkarsis, lampiņa mirgo. Pirms atsākat darbu, pilnībā atdzesējiet darbarīku.

**PIEZĪME:** Ar sausu lupatiņu notīriet netīrumus no lampas lēcas. Izvairieties saskrāpēt lampas lēcu, jo tādejādi tiek samazināts apgaismojums.

## Slēdža darbība

Lai ieslēgtu darbarīku, nospiediet atbloķēšanas/bloķēšanas pogu. Darbarīks pārslēdzas gaidstāves režīmā. Lai ieslēgtu darbarīku, gaidstāves režīmā nospiediet barošanas pogu. Lai izslēgtu darbarīku, vēlreiz nospiediet barošanas pogu. Darbarīks pārslēdzas gaidstāves režīmā. Lai izslēgtu darbarīku, gaidstāves režīmā nospiediet atbloķēšanas/bloķēšanas pogu.

► **Att.5:** 1. Bloķēšanas/atbloķēšanas poga  
2. Ieslēgšanas/izslēgšanas poga

**PIEZĪME:** Ja ar darbarīku gaidstāves režīmā 10 sekundes netiek veiktas nekādas darbības, tas automātiski izslēdzas un lampa izdziest.

**PIEZĪME:** Darbarīku var arī apturēt un izslēgt, darba laikā nospiežot bloķēšanas/atbloķēšanas pogu.

Lai samazinātu lampas spilgtumu, turiet nospiestu bloķēšanas/atbloķēšanas pogu, pagriezot to gaidstāves režīmā. Apmēram 1 sekundi pēc tam, kad nospiesta bloķēšanas/atbloķēšanas poga, lampas spilgtums sāk samazināties. Atlaidiet bloķēšanas/atbloķēšanas pogu, kad ir sasniegts vēlamo spilgtums. Tas arī pārslēdz darbarīku gaidstāves režīmā. Apmēram 3 sekundes pēc tam, kad nospiesta bloķēšanas/atbloķēšanas poga, lampas spilgtums sasniedz minimumu un vairs nemainās.

**PIEZĪME:** Lampas spilgtumu nevar regulēt, kamēr darbarīks ir gaidstāves režīmā. Izslēdziet darbarīku, lai noregulētu lampas spilgtumu.

**PIEZĪME:** Lampas spilgtumam nav atmiņas funkcijas. Izslēdzot un pēc tam ieslēdzot lampu, tā katreiz ieslēgsies maksimālajā spilgtumā.

## Ātruma regulēšanas ciparrīpa

Pagriežot ātruma regulēšanas ciparrīpu, var regulēt darbarīka ātrumu. Lielākais ātrums ir 5. pozīcijā, bet mazākais ātrums ir 1. pozīcijā.

► **Att.6:** 1. Ātruma regulēšanas ciparrīpa

Lai izvēlētos attiecīgā apstrādājamā materiāla zāģēšanai atbilstošu ātrumu, skatiet tabulu. Atbilstošais ātrums tomēr var atšķirties atkarībā no apstrādājamo materiāla veida vai biežuma. Kopumā ar lielāku ātrumu apstrādājamo materiālu var sazāģēt ātrāk, taču samazinās figūrzāģa asmens darbūms.

Apstrādājamo materiāls	Cipars
Koks	4 – 5
Miksts tērauds	3 – 5
Nerūsošais tērauds	3 – 4
Alumīnijs	3 – 5
Plastmasa	1 – 4

**IEVĒRĪBA!** Ātruma regulēšanas ciparrīpu var griezt tikai diapazonā no 5 līdz 1. Lai nesabojātu ātruma regulēšanas funkcijas darbību, nemēģiniet ar spēku to pagriezt tālāk aiz 5 vai 1.

## Elektroniskā funkcija

Lai atvieglotu lietošanu, darbarīks ir aprīkots ar elektroniskām funkcijām.

## Laidena ieslēgšana

Laidena ieslēgšana mazina iedarbināšanas triecienu, un darbarīks uzsāk darbību vienmērīgi.

## Nemainīga ātruma uzturēšana

Ātruma elektroniskā vadība nemainīga ātruma nodrošināšanai. Nodrošina iespēju iegūt labi apstrādātu virsmu, jo darbarīka ātrums tiek saglabāts nemainīgs pat lielas slodzes apstākļos.

## Laidena rotācija bez slodzes

Ja ātruma regulēšanas ciparrīpa ir pagriezta pozīcijā 2 vai augstākā, tad, lai samazinātu vibrāciju un vieglāk savietotu figūrzāģa asmeni ar griešanas līniju, darbarīks automātiski samazina ātrumu, līdz sāk griezt apstrādājamo materiālu. Kad darbarīks sāk griezt apstrādājamo materiālu, darbarīka ātrums sasniedz iepriekš iestatīto ātrumu, kas saglabājas līdz brīdim, kad darbarīks apstājas.

**PIEZĪME:** Zemā temperatūrā šī funkcija var nebūt pieejama. Šī funkcija var nebūt pieejama arī atkarībā no materiāla, figūrzāģa asmens un darbarīka ātruma.

## Laidenās rotācijas funkcijas bez slodzes atspējošana vai iespējošana

Lai atspējotu vai iespējotu laidenās rotācijas funkciju bez slodzes, veiciet tālāk norādītās darbības.

1. Pārbaudiet, vai darbarīks ir izslēgts.
2. Iestatiet ātruma regulēšanas ciparrīpu pozīcijā 1.
3. Nospiediet bloķēšanas/atbloķēšanas pogu, lai ieslēgtu darbarīku.



4. Pagrieziet ātruma regulēšanas ciparrīpu pozīcijā 5 un tad grieziet to atpakaļ pozīcijā 1.

Lampīna divas reizes nomirgo, norādot, ka laidenās rotācijas funkcija bez slodzes ir atspējota. Lai atkal iespējotu šo funkciju, veiciet to pašu procedūru vēlreiz.

**PIEZĪME:** Ja laidenās rotācijas funkcija bez slodzes ir atspējota, tad, ieslēdzot darbarīku, lampīna divas reizes nomirgo.

**PIEZĪME:** Iespējams arī atspējot vai iespējot laidenās rotācijas funkciju bez slodzes, pagriežot ātruma regulēšanas ciparrīpu no pozīcijas 5 uz 1 un tad atkal no 1 uz 5.

## Elektrobremze

Šis darbarīks ir aprīkots ar elektrobremzi. Ja darbarīks regulāri neapstājas uzreiz pēc ieslēgšanas/izslēgšanas pogas vai bloķēšanas/atbloķēšanas pogas nospiešanas, nododiet darbarīku Makita apkopes centrā, lai to salabotu.

## MONTĀŽA

**UZMANĪBU:** Pirms darbarīka regulēšanas vai apkopes vienmēr pārlicinieties, ka darbarīks ir izslēgts un akumulatora kasetne ir izņemta.

## Finierzāga asmens uzstādīšana vai noņemšana

**UZMANĪBU:** Vienmēr nofīriet skaidas vai netīrumus, kas pieķērušies figūrzāga asmenim un/vai tā turētājam. Pretējā gadījumā figūrzāga asmens var kļūt vaļīgs un radīt smagas traumas.

**UZMANĪBU:** Nepieskarieties finierzāga asmenim vai apstrādātajam materiālam tūlīt pēc apstrādes. Tie var būt ļoti karsti un apdedzināt ādu.

**UZMANĪBU:** Vienmēr stingri nostipriniet figūrzāga asmeni. Nepietiekama figūrzāga asmens nostiprināšana var izraisīt asmens salūšanu vai smagu traumu.

**UZMANĪBU:** Izmantojiet tikai B veida figūrzāga asmeņus. Ja lieto cita veida – nevis B veida – asmeni, to nevar pietiekami cieši piestiprināt, un tas var izraisīt smagu ievainojumu.

**UZMANĪBU:** Izņemot finierzāga asmeni, uzmanieties, lai nesavainotu pirkstus ar figūrzāga asmens augšpusi vai apstrādājamā priekšmeta malām.

Pirms finierzāga asmens uzstādīšanas vienmēr pārlicinieties, vai asmens skavas svira ir atbrīvotā pozīcijā. Lai uzstādītu figūrzāga asmeni, ievietojiet figūrzāga asmeni (ar zobiem uz priekšu) figūrzāga asmens turētājā. Asmens fiksatora svira pārvietošanas fiksētā pozīcijā, un figūrzāga asmens ir nofiksēts. Pārlicinieties, vai figūrzāga asmens aizmugurējā mala ir ievietota rullītī. Viegli pavelciet figūrzāga asmeni, lai pārbaudītu, vai figūrzāga asmens ekspluatācijas laikā nenokrītis.

► **Att.7:** 1. Finierzāga asmens turētājs 2. Asmens skavas svira (atbrīvota pozīcijā) 3. Asmens skavas svira (fiksēta pozīcijā)

► **Att.8:** 1. Finierzāga asmens turētājs 2. Finierzāga asmens 3. Rullītis

**UZMANĪBU:** Ja asmens skavas svira pati nepārvietojas fiksētājā pozīcijā, figūrzāga asmens nav pilnībā ievietots. Nespiediet asmens skavas sviru fiksētājā pozīcijā ar roku. Tā var sabojāt darbarīku.

Lai noņemtu figūrzāga asmeni, bīdīet asmens skavas sviru līdz galam uz priekšu. Tādējādi figūrzāga asmeni var atbrīvot.  
► **Att.9:** 1. Finierzāga asmens turētājs 2. Asmens skavas svira 3. Finierzāga asmens

**PIEZĪME:** Ja ir grūti izņemt figūrzāga asmeni, pagrieziet zāģēšanas režīma maiņas sviru pozīcijā "III" un pārvietojiet figūrzāga asmens turētāju līdz apakšai. Lai pārvietotu figūrzāga asmens turētāju līdz apakšai, vienreiz atlieciet asmens skavas sviru pilnībā fiksētājā pozīcijā un vairākas reizes uz Tsu brīdi ieslēdziet darbarīku.

**PIEZĪME:** Regulāri eļļojiet veltnīti.

## Sešstūru uzgriežņu atslēgas uzglabāšana

Kad sešstūru uzgriežņu atslēga netiek lietota, uzglabājiet to, kā parādīts zīmējumā, lai to nepazaudētu.

► **Att.10:** 1. Sešstūru uzgriežņu atslēga

## EKSPLUATĀCIJA

**UZMANĪBU:** Pamatni vienmēr turiet cieši pie apstrādājamā materiāla. Ja netur cieši, asmens var salūzt un radīt smagu traumu.

**UZMANĪBU:** Zāģējot izliekumus vai spirāles, darbarīku virziet ļoti lēni. Spiežot darbarīku, zāģējuma virsma var kļūt slīpa, bet finierzāga asmens — salūzt.

Ieslēdziet darbarīku, kad figūrzāga asmens ir brīvs, un sagaidiet, līdz tas uzņem pilnu ātrumu. Tad pilnībā atbalsiet pamatni uz apstrādājamā priekšmeta un uzmanīgi virziet instrumentu pa iepriekš uzzīmēto zāģēšanas līniju.

► **Att.11:** 1. Zāģēšanas līnija 2. Pamatne

## Slīpā zāģēšana

**UZMANĪBU:** Pirms pamatnes noliekšanas vienmēr pārbaudiet, vai darbarīks ir izslēgts un akumulatora kasetne ir izņemta.

Kad pamatne saskrūvēta, iespējams veikt slīpu griezumus jebkurā leņķī starp 0° un 45° (pa kreisi vai pa labi).

► **Att.12**

Ar sešstūru uzgriežņu atslēgu atļaidiet skrūvi pamatnes aizmugurē. Pamatni pārbīdīet tā, lai skrūve atrastos pamatnes krustveida šķēluma vidū.

► **Att.13:** 1. Sešstūru uzgriežņu atslēga 2. Skrūve 3. Pamatne

Pamatni sasveriet līdz vēlamajam leņķim. Motora korpusa malā ir atzīmētas slīpā leņķa iedaļas. Tad pavelciet skrūvi, lai nostiprinātu pamatni.

► **Att.14:** 1. Mala 2. Iedaļas



## Priekšdaļas zāģējumi

Ar sešstūru atslēgu atļaidiet skrūvi pamatnes apakšā un pārbidiet pamatni līdz galam atpakaļ. Tad pieskrūvējiet skrūvi, lai nostiprinātu pamatni.

- **Att.15:** 1. Sešstūru uzgriežatslēga 2. Skrūve  
3. Pamatne

## Izgriezumi

Izzāģējumi izdarāmi divos veidos. "Sākuma atveres izurbšana" vai "iegremdēšanas zāģējums".

### Sākuma urbums

Lai zāģētu materiāla vidū bez ievada zāģējuma no malas, iepriekš izurbiet sākuma urbumu vismaz 12 mm diametrā. Finierzāģa asmeni ievietojiet šajā atverē, lai sāktu zāģēt.

- **Att.16**

### Iegremdēšanas griezumus

Sākuma urbums vai ievada zāģējums nav nepieciešams tad, ja rīkosities šādi.

1. Ar pamatnes priekšējo malu pieskarities apstrādājamajam materiālam un sasveriet instrumentu, figurzāģa asmens galam atrodoties tieši virs apstrādājamā priekšmeta virsmas.
  2. Darbarīku piespiediet tā, lai pamatnes priekšējā mala nekustētos, darbarīku ieslēdzot, tad lēni un uzmanīgi nolaidiet darbarīka aizmuguri.
  3. Finierzāģa asmenim iegriežoties apstrādājamajā materiālā, lēni nolaidiet darbarīka pamatni uz materiāla virsmas.
- Zāģējiet kā parasti.

- **Att.17**

## Malu apstrāde

Lai nolīdzinātu malas vai pielāgotu kontūras, finierzāģa asmeni viegli pārlaidiet gar zāģējuma malām.

- **Att.18**

## Metāla zāģēšana

Zāģējot metālu, vienmēr izmantojiet piemērotu dzesēšanas šķidrums (zāģēšanas eļļu). Ja to neizmanto, finierzāģa asmens var nozīmīgi nolietoties. Dzesēšanas šķidruma lietošanas vietā var iziest apstrādājamā materiāla apakšējo malu.

## Putekļu savākšana

### Putekļu aizsarga uzstādīšana vai noņemšana

Uzstādiet putekļu aizsargu, kā redzams attēlā.

- **Att.19:** 1. Putekļu aizsargs

Lai noņemtu putekļu aizsargu, piespiediet vienu aizsarga pusi un noņemiet to, kā redzams attēlā.

- **Att.20:** 1. Putekļu aizsargs

## Putekļsūcēja uzgaļa uzstādīšana vai noņemšana

Šo darbarīku iespējams pievienot Makita putekļu sūcējam, pievienojot putekļsūcēja uzgali.

Ievietojiet putekļsūcēja uzgali līdz galam darbarīkā.

- **Att.21:** 1. Putekļsūcēja uzgali

Lai noņemtu putekļsūcēja uzgali, velciet to ārā, vienlaicīgi spiežot pogu uz putekļsūcēja uzgaļa.

- **Att.22:** 1. Poga 2. Putekļsūcēja uzgali

### Darbarīka pievienošana putekļu sūcējam

Pie putekļsūcēja uzgaļa pievienojiet putekļu sūcēja šļūteni.

- **Att.23**

## Garenzāģēšanas ierobežotājs

### Papildu piederumi

**UZMANĪBU:** Pirms papildpiederumu uzstādīšanas vai noņemšanas vienmēr pārbaudiet, vai darbarīks ir izslēgts un akumulatora kasetne ir izņemta.

### Taisni zāģējumi

Atkārtoti zāģējot līdz 160 mm platumā, izmantojiet garenzāģēšanas ierobežotāju, lai griezumus būtu ātrs, tīrs un taisns.

- **Att.24:** 1. Garenzāģēšanas ierobežotājs (vadotnes lineāls)

Lai uzstādītu, ievietojiet stieņa daļu kvadrātveida pamatnes atverē ar ierobežotāja daļu uz leju. Tad iebīdīdiet ierobežotāju līdz vajadzīgajam zāģēšanas platuma stāvoklim un nostipriniet to, pieskrūvējot skrūvi.

- **Att.25:** 1. Sešstūru uzgriežņu atslēga 2. Skrūve  
3. Garenzāģēšanas ierobežotājs (vadotnes lineāls)

### Aplšveida griezumai

Zāģējot aplus vai lokus ar rādiusu līdz 170 mm, zāģējuma vadotni uzstādiet šādi.

- **Att.26:** 1. Garenzāģēšanas ierobežotājs (vadotnes lineāls)

**UZMANĪBU:** Nepieskarities aple zāģēšanas vadtapas galam. Asais aple zāģēšanas vadtapas gals var radīt traumas.

1. Ievietojiet stieņa daļu kvadrātveida pamatnes atverē ar ierobežotāja daļu uz augšu.
  2. Ievietojiet aple zāģēšanas vadtapu kādā no divām ierobežotāja daļas atverēm. Uzskrūvējiet vītņoto rokturi uz aple zāģēšanas vadtapas, lai nostiprinātu aple zāģēšanas vadtapu.
- **Att.27:** 1. Vītņotais rokturis 2. Garenzāģēšanas ierobežotājs (vadotnes lineāls) 3. Aple zāģēšanas vadtapa 4. Skrūve 5. Sešstūru uzgriežņatslēga

3. Iebīdīdiet zāģējuma vadotni līdz vēlamajam zāģēšanas rādiusam un pievelciet skrūvi, lai to nostiprinātu.

**PIEZĪME:** Zāģējot aplus vai līknes, vienmēr izmantojiet finierzāģa asmeņus Nr. B-17, B-18, B-26 vai B-27.

## Pretskabargu ierīce

### Papildpiederumi

**⚠UZMANĪBU:** Pretskabargu ierīci nevar izmantot, veicot slīpu zāģēšanu.

Lai zāģētu bez skabargām, varat izmantot pretskabargu ierīci. Lai šo ierīci uzstādītu, pārbīdīet pamatni līdz galam uz priekšu un ievietojiet ierīci no darbarīka pamatnes aizmugures.

Izmantojot pārsega plāksni, uzstādi pretskabargu ierīci uz pārsega plāksnes.

► **Att.28:** 1. Pamatne 2. Pretskabargu ierīce

## Pārsega plāksne

Izmantojiet pārsega plāksni, zāģējot dekoratīvu finieri, plastmasu u. tml. Tā pasargā jutīgas vai trauslas virsmas no bojājumiem. Uzstādi to instrumenta pamatnes apakšā.

► **Att.29:** 1. Pārsega plāksne 2. Pamatne

## Vadslīdes pārejas komplekts

### Papildpiederumi

Veicot paralēlu un viena platuma vai taisnu zāģēšanu, virzošās slīdes un vadslīdes pārejas izmantošana nodrošinās ātru un tīru griezumumu veidošanu. Lai uzstādītu vadslīdes pāreju, ievietojiet lineāla stieni pamatnes četrstūra atverē līdz galam. Ar sešstūra atslēgu stingri pievelciet skrūvi.

► **Att.30:** 1. Sešstūra uzgriežņu atslēga 2. Lineāla stienis 3. Skrūve

Ievietojiet lineāla stieni vadslīdes pārejas četrstūra atverē un cieši pievelciet skrūvi. Novietojiet vadslīdes pāreju uz virzošās slīdes.

► **Att.31:** 1. Vadslīdes pāreja 2. Virzošā slīde 3. Skrūve

**IEVĒRĪBAI:** Izmantojot virzošo slīdi un vadslīdes pāreju, vienmēr izmantojiet figūrzāģa asmeņus nr. B-8, B-13, B-16, B-17 vai 58.

## APKOPE

**⚠UZMANĪBU:** Pirms darbarīka pārbaudes vai apkopes vienmēr pārliecinieties, ka darbarīks ir izslēgts un akumulatora kasetne ir izņemta.

**IEVĒRĪBAI:** Nekad neizmantojiet gazolīnu, benzīnu, atšķaidītāju, spirtu vai līdzīgus šķidrumus. Tas var radīt izbalēšanu, deformāciju vai plaisas.

Lai saglabātu izstrādājuma DROŠU un UZTICAMU darbību, remontdarbus, apkopi un regulēšanu uzticiet veikt tikai Makita pilnvarotam vai rūpnīcas apkopes centram, un vienmēr izmantojiet tikai Makita rezerves daļas.

## PAPILDU PIEDERUMI

**⚠UZMANĪBU:** Šādi piederumi un papildierīces tiek ieteiktas lietošanai ar šajā rokasgrāmatā aprakstīto Makita darbarīku. Izmantojot citus piederumus vai papildierīces, var tikt radīta traumu gūšanas bīstamība. Piederumu vai papildierīci izmantojiet tikai paredzētajam mērķim.

Ja jums vajadzīga palīdzība vai precīzāka informācija par šiem piederumiem, vērsieties savā tuvākajā Makita apkopes centrā.

- Figūrzāģa asmeņi
- Garenzāģēšanas ierobežotāja (vadotnes lineāla) komplekts
- Vadslīdes pārejas komplekts
- Pretskabargu ierīce
- Pārsega plāksne
- Putekļsūcēja uzgalis
- Putekļu aizsargs
- Makita oriģinālais akumulators un lādētājs

**PIEZĪME:** Daži sarakstā norādītie izstrādājumi var būt iekļauti instrumenta komplektācijā kā standarta piederumi. Tie dažādās valstīs var būt atšķirīgi.

## SPECIFIKACIJOS

<b>Modelis:</b>		<b>DJV185</b>
Smūgio ilgis		23 mm
Smūgių per minutę		800–3 000 min <sup>-1</sup>
Geležties tipas		B tipas
Maks. pjovimo galia	Medis	135 mm
	Mažaanglis plienas	10 mm
	Aliuminis	20 mm
Bendrasis ilgis (su BL1860B)		259 mm
Vardinė įtampa		Nuol. sr. 18 V
Grynasis svoris		2,0–2,3 kg

- Atliekame tęstinius tyrimus ir nuolatos tobuliname savo gaminius, todėl čia pateikiamos specifikacijos gali būti keičiamos be įspėjimo.
- Skirtingose šalyse specifikacijos gali skirtis.
- Svoris gali priklausyti nuo priedo (-ų), įskaitant akumuliatoriaus kasetę. Lengviausias ir sunkiausias deriniai pagal EPTA 2014 m. sausio mėn. procedūrą yra parodyti lentelėje.

## Tinkama akumuliatoriaus kasetė ir (arba) įkroviklis

Akumuliatoriaus kasetė	BL1815N / BL1820B / BL1830B / BL1840B / BL1850B / BL1860B
Įkroviklis	DC18RC / DC18RD / DC18RE / DC18SD / DC18SE / DC18SF / DC18SH / DC18WC

- Atsižvelgiant į gyvenamosios vietos regioną, kai kurios pirmiau nurodytos akumuliatoriaus kasetės ir įkrovikliai gali būti neprieinami.

**⚠️ ĮSPĖJIMAS:** Naudokite tik akumuliatoriaus kasetes ir įkroviklius, kurie nurodyti anksčiau. Naudojant bet kurias kitas akumuliatoriaus kasetes ir įkroviklius, gali kilti sužeidimo ir gaisro pavojus.

## Numatytoji paskirtis

Šis įrankis skirtas medienai, plastikui ir metalui pjauti.

## Triukšmas

Įprastas triukšmo A lygis, nustatytas pagal EN62841-2-11:

Garso slėgio lygis ( $L_{pA}$ ): 84 dB (A)

Garso galios lygis ( $L_{WA}$ ): 95 dB (A)

Paklaida (K): 3 dB (A)

**PASTABA:** Paskelbta (-os) triukšmo reikšmė (-ės) nustatyta (-os) pagal standartinį testavimo metodą ir ji galima naudoti vienam įrankiui palyginti su kitu.

**PASTABA:** Paskelbta (-os) triukšmo reikšmė (-ės) taip pat gali būti naudojama (-os) norint preliminariai įvertinti triukšmo poveikį.

**⚠️ ĮSPĖJIMAS:** Dėvėkite ausų apsaugą.

**⚠️ ĮSPĖJIMAS:** Faktiškai naudojant elektrinį įrankį, keliamo triukšmo dydis gali skirtis nuo paskelbtos (-ų) reikšmės (-ių), priklausomai nuo būdų, kuriais yra naudojamas šis įrankis, ir ypač nuo to, kokio tipo ruošinys apdirbamas.

**⚠️ ĮSPĖJIMAS:** Siekdami apsaugoti operatorių, būtina įvertinkite saugos priemones, remdamiesi vibracijos poveikio įvertinimu esant faktinėms naudojimo sąlygoms (atsižvelgdami į visas darbo ciklo dalis, pavyzdžiui, ne tik kiek laiko įrankis veikia, bet ir kiek kartų jis yra išjungiamas bei kai jis veikia be apkrovų).

## Vibracija

Vibracijos bendroji vertė (trašio vektoriaus suma) nustatyta pagal EN62841-2-11 standartą:

Darbo režimas: lentų pjovimas

Vibracijos emisija ( $a_{h,B}$ ): 10,3 m/s<sup>2</sup>

Paklaida (K): 1,7 m/s<sup>2</sup>

Darbo režimas: metalo lakštų pjovimas

Vibracijos emisija ( $a_{h,M}$ ): 9,0 m/s<sup>2</sup>

Paklaida (K): 1,5 m/s<sup>2</sup>

**PASTABA:** Paskelbta (-os) vibracijos bendroji (-osios) reikšmė (-ės) nustatyta (-os) pagal standartinį testavimo metodą ir jį galima naudoti vienam įrankiui palyginti su kitu.

**PASTABA:** Paskelbta (-os) vibracijos bendroji (-osios) reikšmė (-ės) taip pat gali būti naudojama (-os) norint preliminariai įvertinti vibracijos poveikį.

**▲ISPĖJIMAS:** Faktiškai naudojant elektrinį įrankį, keliamos vibracijos dydis gali skirtis nuo paskelbtos (-ų) reikšmės (-ių), priklausomai nuo būdų, kuriais yra naudojamas šis įrankis, ir ypač nuo to, kokio tipo ruošinys apdirbamas.

**▲ISPĖJIMAS:** Siekdami apsaugoti operatorių, būtina įvertinkite saugos priemones, remdamiės vibracijos poveikio įvertinimu esant faktinėms naudojimo sąlygoms (atsižvelgdami į visas darbo ciklo dalis, pavyzdžiui, ne tik kiek laiko įrankis veikia, bet ir kiek kartų jis yra išjungiamas bei kai jis veikia be apkrovų).

## Atitikties deklaracijos

### Tik Europos šalis

Atitikties deklaracijos įtrauktos į šios naudojimo instrukcijos A priedą.

## SAUGOS ĮSPĖJIMAI

### Bendrieji įspėjimai dirbant elektriniais įrankiais

**▲ISPĖJIMAS** Perskaitykite visus saugos įspėjimus, nurodymus, peržiūrėkite paveikslėlius ir technines sąlygas, pateiktas su šiuo elektriniu įrankiu. Nesilaikant toliau pateiktų nurodymų, galima patirti elektros šoką, sunkų sužalojimą ir (arba) sukelti gaisrą.

### Išsaugokite visus įspėjimus ir instrukcijas, kad galėtumėte jas peržiūrėti ateityje.

Terminas „elektrinis įrankis“ pateiktuose įspėjimuose reiškia į maitinimo tinklą jungiamą (laidinį) elektrinį įrankį arba akumuliatoriaus maitinamą (belaidį) elektrinį įrankį.

### Įspėjimai dėl belaidžio metalo pjūklelio saugos

1. Atlikdami darbus, kurių metu pjovimo dalys gali paliesti paslėptus laidus, laikykite elektrinį įrankį tik už izoliuotą, laikyti skirtų paviršių. Pjovimo antgaliai prisilietus prie laido, kuriuo teka elektros srovė, neizoliuotos metalinės elektrinio įrankio dalys gali sukelti elektros smūgį ir nutrenkti operatorių.
2. Ruošinį ant stabilios platformos tvirtinkite spaustuvais arba kitais parankiais būdais. Laikant ruošinį rankomis arba prispaudus prie kūno, jis yra nestabilus, todėl galite prarasti jo kontrolę.
3. Būtinai naudokite apsauginius akinius. Įprastiniai akiniai ar akiniai nuo saulės NĖRA apsauginiai akiniai.

4. Nepjaukite vinių. Prieš dirbdami apžiūrėkite, ar ruošinyje nėra vinių, ir jas išimkite.
5. Nepjaukite didelių matmenų ruošinio.
6. Prieš pjaudami patikrinkite, ar tarpas aplink ruošinį yra pakankamas, kad pjūklelis neįpjautų grindų, darbastalio ir pan.
7. Tvirtai laikykite įrankį.
8. Prieš įjungdami jungiklį patikrinkite, ar pjūklelis neličia ruošinio.
9. Žiūrėkite, kad rankos būtų kuo toliau nuo judamųjų dalių.
10. Nepalikite veikiančio įrankio. Įjungtas įrankis turi būti laikomas rankose.
11. Prieš patraukdami pjūklelį nuo ruošinio, būtinai išjunkite įrenginį ir palaukite, kol jis visiškai sustos.
12. Nelieskite pjūklelio arba ruošinio iškart po naudojimo; jie gali būti itin karšti ir nudeginti odą.
13. Be reikalo nenaudokite įrankio be apkrovos.
14. Kai kuriose medžiagose yra chemikalų, kurie gali būti nuodingi. Saugokitės, kad neįkvėptumėte dulkių ir nesiliestumėte oda. Vadovaukitės medžiagų tiekėjo saugos duomenimis.
15. Atsižvelgdami į apdirbamą medžiagą ir darbo pobūdį, būtinai užsidėkite apsaugos nuo dulkių kaukę / respiratorių.

## SAUGOKITE ŠIAS INSTRUKCIJAS.

**▲ISPĖJIMAS:** NELEISKITE, kad patogumas ir gaminio pažinimas (įgyjamas pakartotinai naudojant) susilpnintų griežtą saugos taisyklių, taikytinų šiam gaminiui, laikymąsi. Dėl NETINKAMO NAUDOJIMO arba saugos taisyklių, kurios pateiktos šioje instrukcijoje, nesilaikymo galima rimtai susižeisti.

### Svarbios saugos instrukcijos, taikomos akumuliatoriaus kasetei

1. Prieš naudodami akumuliatoriaus kasetę, perskaitykite visas instrukcijas ir perspėjimus ant (1) akumuliatorių įkroviklio, (2) akumuliatorių ir (3) akumuliatorių naudojančio gaminio.
2. Neardykite ir negadinkite akumuliatoriaus kasetės. Dėl to ji gali užsidegti, per daug įkaisti arba sprogti.
3. Jei įrankio darbo laikas žymiai sutrumpėjo, nedelsdami nutraukite darbą su įrankiu. Tai gali kelti perkaitimo, nudegimų ar net sprogdimo pavojų.
4. Jei elektrrolitas pateko į akis, plaukite jas tyru vandeniu ir nedelsdami kreipkitės į gydytoją. Gali kilti regėjimo praradimo pavojus.
5. Neužtrumpinkite akumuliatoriaus kasetės:
  - (1) Nelieskite kontaktų degiomis medžiagomis.
  - (2) Venkite laikyti akumuliatoriaus kasetę kartu su kitais metaliniais daiktais, pavyzdžiui, vinimis, monetomis ir pan.
  - (3) Saugokite akumuliatoriaus kasetę nuo vandens ir lietaus.

Trumpasis jungimas akumulatoriuje gali sukelti stiprią srovę, perkaitimą, galimus nudegimus ar net akumulatoriaus gedimą.

6. Nelaikykite ir nenaudokite įrankio ir akumulatoriaus kasetės vietose, kur temperatūra gali pasiekti ar viršyti 50 °C (122 °F).
7. Nedeginkite akumulatoriaus kasetės, net jei yra stipriai pažeista ar visiškai susidėvėjusi. Ugnyje akumulatoriaus kasetė gali sprogti.
8. Akumulatoriaus kasetės nekalkite, nepjausykite ir nemėtykite ir taip pat į ją netrankykite kietu daiktu. Taip elgiantis, ji gali užsidegti, per daug įkaisti arba sprogti.
9. Nenaudokite pažeisto akumulatoriaus.
10. Įdėtomis ličio jonų akumulatoriams taikomi Pavojingų prekių teisės akto reikalavimai. Komeracinis transportas, pvz., trečiųjų šalių, prekių vežimo atstovų, turi laikytis specialaus reikalavimo ant pakuotės ir ženklavimo. Norėdami paruošti siųstiną prekę, pasitarkite su pavojingų medžiagų specialistu. Be to, laikykitės galimai išsamesnių nacionalinių reglamentų. Užklijuokite juosta arba padenkite atvirus kontaktus ir supakuokite akumuliatorių taip, kad ji pakuotėje nejudėtų.
11. Kai išmetate akumulatoriaus kasetę, išimkite ją iš įrankio ir išmeskite saugioje vietoje. Vadovaukitės vietos reglamentais dėl akumuliatorių išmetimo.
12. Baterijas naudokite tik su „Makita“ nurodytais gaminiais. Baterijas įdėjus į netinkamus gaminius gali kilti gaisras, gaminyje pernelyg įkaisti, kilti sprogimas arba pratekėti elektrolitas.
13. Jei įrankis bus ilgą laiką nenaudojamas, akumuliatorių būtina išimti iš įrankio.
14. Darbo metu ir po akumulatoriaus kasetės gali būti įkaitusi ir dėl to nudeginti. Imdami akumulatoriaus kasetes, būkite atsargūs.
15. Tuojau pat po naudojimo nelieskite įrankio gnybtų, nes jie gali būti įkaitę tiek, kad nudegins.
16. Neleiskite, kad į akumulatoriaus kasetės gnybtus, angas ir griovelius patektų drožlių, dulkių ar žemių. Jos gali sukelti kaitimą, užsidegti, sprogti ir sukelti įrankio ar akumulatoriaus kasetės gedimą, dėl ko galima nusideginti ar susižaloti.
17. Jeigu įrankis nėra pritaikytas naudoti šalia aukštos įtampos elektros linijų, akumulatoriaus kasetės nenaudokite šalia aukštos įtampos elektros linijų. Dėl to gali sutrikti įrankio ar akumulatoriaus kasetės veikimas arba jie gali sugesti.
18. Laikykite akumuliatorių vaikams nepasiekiamoje vietoje.

## SAUGOKITE ŠIAS INSTRUKCIJAS.

**▲PERSPĖJIMAS:** Naudokite tik originalų „Makita“ akumuliatorių. Neoriginalaus „Makita“ arba pakeisto akumulatoriaus naudojimas gali nulemti gaisrą, asmens sužalojimą ir pažeidimą. Tai taip pat panaikina „Makita“ suteikiamą „Makita“ įrankio ir įkroviklio garantiją.

## Patarimai, ką daryti, kad akumuliatorius veiktų kuo ilgiau

1. Pakraukite akumulatoriaus kasetę prieš jai visiškai išsikraunant. Visuomet nustokite naudoti įrankį ir pakraukite akumulatoriaus kasetę, kai pastebite, kad įrankio galia sumažėjo.
2. Niekada nekraukite iki galo įkrautos akumulatoriaus kasetės. Perkraunant trumpėja akumulatoriaus eksploatacijos laikas.
3. Akumulatoriaus kasetę kraukite esant kambario temperatūrai 10 - 40 °C. Prieš pradėdami krauti, leiskite įkaitusiai akumulatoriaus kasetei atvėsti.
4. Kai akumulatoriaus kasetės nenaudojate, ją išimkite iš įrankio ar įkroviklio.
5. Įkraukite akumulatoriaus kasetę, jei jos nenaudojate ilgą laiką (ilgiau nei šešis mėnesius).

## VEIKIMO APRAŠYMAS

**▲PERSPĖJIMAS:** Prieš pradėdami reguliuoti arba tikrinti įrankio veikimą, visuomet būtina išjunkite įrankį ir išimkite akumulatoriaus kasetę.

## Akumulatoriaus kasetės uždėjimas ir nuėmimas

**▲PERSPĖJIMAS:** Prieš įdėdami arba išimdami akumulatoriaus kasetę, visada išjunkite įrankį.

**▲PERSPĖJIMAS:** Įdėdami arba išimdami akumulatoriaus kasetę, tvirtai laikykite įrankį ir akumulatoriaus kasetę. Jeigu įrankį ir akumulatoriaus kasetę laikysite netvirtai, jie gali išslysti iš jūsų rankų, todėl įrankis ir akumulatoriaus kasetė gali būti sugadinti, o naudotojas sužalotas.

Jei norite įdėti akumulatoriaus kasetę, ant akumulatoriaus kasetės esantį liežuvelį sutapdinkite su korpusu esančiu grioveliu ir įstumkite jį į skirtą vietą. Įstatykite iki pat galo, kad spragtelėdama užsifiksuotų. Jeigu matote raudoną sandariklį (indikatorių), kaip parodyta paveikslėlyje, jį nėra visiškai užfiksuota.

Jei norite išimti akumulatoriaus kasetę, ištraukite ją iš įrankio, stumdami mygtuką, esantį kasetės priekyje.

► **Pav.1:** 1. Raudonas sandariklis (indikatorius) 2. Mygtukas 3. Akumulatoriaus kasetė

**▲PERSPĖJIMAS:** Akumulatoriaus kasetę visada įkiškite iki galo, kol nebematysite raudono sandariklio (indikatoriaus) Priešingu atveju ji gali atsitiktinai iškristi iš įrankio ir sužeisti jus arba aplinkinius.

**▲PERSPĖJIMAS:** Nekiškite akumulatoriaus kasetės jėga. Jeigu kasetė sunkiai lenda, ją kišate netinkamai.

## Įrankio / akumulatoriaus apsaugos sistema

Įrankyje įrengta įrankio / akumulatoriaus apsaugos sistema. Ši sistema automatiškai atjungia variklio maitinimą, kad įrankis ir akumulatorius ilgiau veiktų. Įrankis automatiškai išsijungs darbo metu esant vienai iš toliau nurodytų įrankio arba akumulatoriaus darbo sąlygų:

### Apsauga nuo perkrovos

Kai įrankis arba akumulatorius naudojamas taip, kad neįprastai padidėja srovės stipris, įrankis automatiškai išsijungia be jokios indikacijos. Tokiu atveju išjunkite įrankį ir nutraukite darbą, dėl kurio kilo įrankio perkrova. Tada vėl įjunkite įrankį.

### Apsauga nuo perkaitimo

Kai įrankis ar akumulatorius perkaista, jis automatiškai išsijungia ir pradeda mirksėti lemputė. Esant šiai situacijai, leiskite įrankiui ir akumulatoriui atvėsti, prieš vėl jungdami įrankį.

### Apsauga nuo visiško išsekimo

Kai likusios akumulatoriaus galios nepakanka, įrankis automatiškai išsijungia. Tokiu atveju ištraukite akumulatorių iš įrankio ir jį įkraukite.

### Apsauga nuo kitų sutrikimų

Apsaugos sistema taip pat apsaugo nuo kitų sutrikimų, galinčių pažeisti įrankį, todėl automatiškai jį išjungia. Įrankiui laikinai sustojus arba veikimo metu išsijungus, imkitės visų toliau nurodytų veiksmų ir pašalinkite sutrikimo priežastis.

1. Išjunkite įrankį, tada vėl įjunkite, kad paleistumėte iš naujo.
2. Įkraukite akumulatorių (-ius) arba jį (juos) pakeiskite įkrautu (-ais) akumulatoriumi (-iais).
3. Palaukite, kol įrankis ir akumulatorius (-iai) atvės.

Jei atstačius apsaugos sistemą veikimas nepagerėja, kreipkitės į vietos „Makita“ techninės priežiūros centrą.

## Likusios akumulatoriaus galios rodymas

### Tik akumulatoriaus kasetėms su indikatoriumi

Paspauskite akumulatoriaus kasetės tikrinimo mygtuką, kad būtų rodoma likusi akumulatoriaus energija. Maždaug trims sekundėms užsidegs indikatorius lemputės.

- **Pav.2:** 1. Indikatorius lemputės 2. Tikrinimo mygtukas

Indikatorių lemputės			Likusi galia
Šviečia	Nešviečia	Blyksi	
■ ■ ■ ■	□	▬	75 - 100 %
■ ■ ■ □	□	□	50 - 75 %
■ ■ □ □	□	□	25 - 50 %
■ □ □ □	□	□	0 - 25 %
▬ □ □ □	□	□	Įkraukite akumulatorių.
■ ■ □ □	□	□	Galimai įvyko akumulatoriaus veikimo triktis.
□ □ ■ ■	□	□	

**PASTABA:** Rodmuo gali šiek tiek skirtis nuo faktinės energijos lygio – tai priklauso nuo naudojimo sąlygų ir aplinkos temperatūros.

**PASTABA:** Veikiant akumulatoriaus apsaugos sistemai ims mirksėti pirmoji (toliausiai kairėje) indikatoriaus lemputė.

## Pjovimo režimo parinkimas

Su šiuo įrankiu galima pjauti lenktos arba tiesios linijos (aukštyn ir žemyn) pjovimo režimu. Pjaunant lenktos linijos pjovimo režimu pjūkelis stumiamas pirmyn ir tai padidina pjovimo greitį.

► **Pav.3:** 1. Pjovimo režimo perjungimo svirtelė

Pjovimo režimui pakeisti pasukite pjovimo režimo perjungimo svirtelę į reikiamo pjovimo režimo padėtį. Toliau pateikiama lentelė, kuri padės pasirinkti tinkamą pjovimo režimą.

Padėtis	Pjovimo režimas	Paskirtis
0	Tiesiaiegio pjovimo režimas	Skirtas mažangliam plienui, nerūdijančiajam plienui ir plastikui pjauti. Skirtas medienai ir fanerai švariai pjauti.
I	Mažos amplitudės švytuoklinio pjovimo režimas	Skirtas mažangliam plienui, aliuminiui ir kietajai medienai pjauti.
II	Vidutinės amplitudės švytuoklinio pjovimo režimas	Skirtas medienai ir fanerai pjauti. Skirtas aliuminiui ir mažangliam plienui sparčiai pjauti.
III	Didelės amplitudės švytuoklinio pjovimo režimas	Skirtas medienai ir fanerai sparčiai pjauti.

## Priekinės lemputės uždegimas

**▲ PERSPĖJIMAS:** Nežiūrėkite tiesiai į šviesą arba šviesos šaltinį.

Norėdami įjungti lempą, paspauskite užfiksavimo / atlaisvinimo jungiklį. Norėdami įjungti lemputę, paspauskite užfiksavimo / atlaisvinimo jungiklį dar kartą.

► **Pav.4:** 1. Lemputė 2. Užfiksavimo / atlaisvinimo mygtukas

**PASTABA:** Įrankiu perkaitus, ima mirksėti lemputė. Palaukite, kol įrankis visiškai atvės, o pasikui vėl tęskite darbą.

**PASTABA:** Purvą nuo lemos objektyvo nuvalykite sausu skudurėliu. Būkite atsargūs, kad nesubraižytumėte lemos objektyvo, nes pablogės apšvietimas.

## Jungiklio veikimas

Norėdami įjungti prietaisą, paspauskite fiksavimo jungiklį. Prietaisas pereina į laukimo režimą. Norėdami įjungti prietaisą, paspauskite įjungimo/išjungimo mygtuką prietaisui veikiant laukimo režimu. Norėdami sustabdyti prietaisą, paspauskite įjungimo/išjungimo mygtuką. Prietaisas pereina į laukimo režimą. Norėdami išjungti prietaisą, paspauskite užrakinimo/atrakinimo mygtuką prietaisui veikiant laukimo režimu.

► **Pav.5:** 1. Užfiksavimo / atlaisvinimo mygtukas  
2. Įjungimo/išjungimo mygtukas

**PASTABA:** Jeigu prietaisui veikiant parengties režimui 10 sekundžių neatliekamas joks veiksmas, jis automatiškai išjungiamas ir lemputė užgęsta.

**PASTABA:** Taip pat galite sustabdyti ir išjungti prietaisą paspaudę užrakinimo/atrakinimo mygtuką, kol prietaisas veikia.

Norėdami sumažinti lemputės šviesumą, paspauskite ir palaikykite užrakinimo / atrakinimo mygtuką (perjungdami į budėjimo režimą). Praėjus maždaug 1 sekunde po užrakinimo / atrakinimo mygtuko paspaudimo, lemputės šviesumas pradės mažėti. Pasiekę pageidaujamą šviesumą, atleiskite užrakinimo / atrakinimo mygtuką. Be to, įrankis persijungs į budėjimo režimą. Praėjus maždaug 3 sekundėms nuo to momento, kai pradėsite spausti užrakinimo / atrakinimo mygtuką, lemputės šviesumas sumažės ir po to nebesikeis.

**PASTABA:** Įrankiu veikiant budėjimo režimu, lemputės šviesumo nustatyti nepavyks. Norėdami pakoreguoti lemputės šviesumą, išjunkite įrankį.

**PASTABA:** Lemputės šviesumas neįsimeinamas. Išjungus ir vėl įjungus lemputę, kaskart nustatomas didžiausias šviesumas.

## Greičio reguliavimo ratukas

Įrankio greitį galima reguliuoti sukant greičio reguliavimo ratuką. Nustačius ties „5“, greitis bus didžiausias, o ties „1“ – mažiausias.

► **Pav.6:** 1. Greičio reguliavimo ratukas

Kaip išrinkti reikiamą ruošinio pjovimo greitį, žr. lentelėje. Vis dėlto tinkamas greitis gali priklausyti nuo ruošinio tipo ir storio. Kai greitis didesnis, ruošinys pjaunamas greičiau, tačiau taip sutrumpėja siaurapjūklio pjūklelio naudojimo laikas.

Ruošinys	Skaičius
Mediena	4–5
Mažaanglis plienas	3–5
Nerūdijantis plienas	3–4
Aliuminis	3–5
Plastikas	1–4

**PASTABA:** Greičio reguliavimo ratuką galima pasukti tik iki 5 ir atgal iki 1. Per jėgą nesukite jo toliau nei 5 ar 1, nes greičio reguliavimo funkcija gali nustoti veikti.

## Elektroninė funkcija

Prietaise yra elektroninė funkcija paprastam naudojimui.

### Švelnus paleidimas

Švelnaus paleidimo funkcija maksimaliai sumažina paleidimo smūgį ir leidžia sklandžiai paleisti įrankį.

### Pastovaus greičio kontrolė

Elektroninė greičio kontrolė skirta pastoviam greičiui užtikrinti. Galima tiksliai apdoroti paviršius, nes įrankio veikimo greitis būna vienodas net esant didelei apkrovai.

### Švelnaus sukimosi be apkrovos funkcija

Siekiant sumažinti vibraciją ir paprastai sulygiuoti siaurapjūklio ašmenis pagal pjovimo liniją, įrankis automatiškai sumažina veikimo greitį, kol pradeda pjauti ruošinį (kai greičio reguliavimo ratukas nustatytas ties 2 ar didesne verte). Pradėjus pjauti ruošinį, įrankio greitis pasiekia nustatytą greitį ir jį palaiko tol, kol įrankis sustabdomas.

**PASTABA:** Esant žemai temperatūrai, ši funkcija gali neveikti. Be to, atsižvelgiant į medžiagą, siaurapjūklio ašmenis ir įrankio veikimo greitį, ši funkcija gali būti nepasiekiamas.

### Švelnaus sukimosi be apkrovos išjungimas arba įjungimas

Norėdami išjungti arba įjungti švelnaus sukimosi be apkrovos funkciją, atlikite toliau nurodytus veiksmus.

1. Užtikrinkite, kad įrankis būtų išjungtas.
2. Greičio reguliavimo ratuką nustatykite ties „1“.
3. Norėdami įjungti įrankį, paspauskite užrakinimo / atrakinimo mygtuką.



4. Pasukdami greičio reguliavimo ratuką, parinkite nuostatą „5“, tada sukdami ratuką atgal, nustatykite ties „1“.

Lemputė sumirksi dukart, parodydama, kad švelnaus sukimosi be apkrovos funkcija išjungta. Norėdami vėl jungti šią funkciją, dar kartą atlirkite tą pačią procedūrą.

**PASTABA:** Jei švelnaus sukimosi be apkrovos funkcija išjungta, kai įrankis įjungiamas, lemputė sumirksi dukart.

**PASTABA:** Švelnaus sukimosi be apkrovos funkciją taip pat įjungti ir išjungti galite pakeisdami greičio reguliavimo ratuko nuostatą iš „5“ į „1“ ir atvirkščiai.

## Elektrinis stabdiklis

Šiame įrankyje įrengtas elektrinis stabdys. Jei įrankis greitai nesustabdomas po to, kai paspaudžiamas įjungimo / išjungimo mygtukas arba užrakinimo / atrakinimo mygtukas, nugaubkite įrankį į „Makita“ priežiūros centrą, kad patikrintų.

## SURINKIMAS

**▲PERSPĖJIMAS:** Prieš darydami ką nors įrankiui visada patikrinkite, ar įrenginys išjungtas, o akumuliatorių kasetė – nuimta.

## Siaurapjūklio geležtės įdėjimas arba išėmimas

**▲PERSPĖJIMAS:** Visada nuvalykite pjūvenas ar kitas medžiagas, prilipusias prie siaurapjūklio pjūklelio ir (arba) pjūklelio laikiklio. Kitaip siaurapjūklis bus blogai priveržtas ir dėl to žmonės gali būti smarkiai sužaloti.

**▲PERSPĖJIMAS:** Nelieskite siaurapjūklio geležtės arba ruošinio ką tik baigę pjauti. Jie gali būti labai įkaitę ir nudeginti odą.

**▲PERSPĖJIMAS:** Visada tvirtai priveržkite siaurapjūklio pjūklelį. Nepakankamai priveržus siaurapjūklis pjūklelį, šis gali lūžti arba galite sunkiai susižaloti.

**▲PERSPĖJIMAS:** Naudokite tik B tipo siaurapjūklio pjūklelius. Naudojant ne B tipo siaurapjūklis pjūklelius, jie netinkamai priveržiami, o tai kelia didelį pavojų susižeisti.

**▲PERSPĖJIMAS:** Siaurapjūklis pjūklelį išimkite atsargiai, kad nesusižeistumėte pirštų į jo įrūšintą dalį arba ruošinio kraštus.

Prieš montuodami siaurapjūklis ašmenis, patikrinkite, ar ašmenų veržtuvo svirtis yra atlaisvinta.

Norėdami įrengti siaurapjūklis pjūklelį, įstatykite jį (dantukai pirmyn) į pjūklelio laikiklį. Pjūklelio prispaudimo svirtelė pajuda į fiksavimo padėtį ir užfiksuoja siaurapjūklis pjūklelį. Užtikrinkite, kad galinis siaurapjūklis pjūklelio kraštas būtų tinkamai sumontuotas ant velenelio. Šiek tiek patraukite siaurapjūklis pjūklelį, siekdami užtikrinti, kad jis darbo metu neiškris.

► **Pav.7:** 1. Siaurapjūklis geležtės laikiklis 2. Pjūklelio prispaudimo svirtelė (atleidimo padėtis) 3. Pjūklelio prispaudimo svirtelė (fiksavimo padėtis)

► **Pav.8:** 1. Siaurapjūklis ašmenų laikiklis 2. Siaurapjūklis ašmenys 3. Velenėlis

**▲PERSPĖJIMAS:** Jei pjūklelio prispaudimo svirtelė nepajuda į fiksavimo padėtį, vadinas, pjūklelis sumontuotas netinkamai. Nespaukite pjūklelio prispaudimo svirtelės ranka, norėdami nustatyti ją į fiksavimo padėtį. Kitaip galite apgadinti įrankį.

Norėdami išimti siaurapjūklis pjūklelį, pastumkite prispaudimo svirtelę iki pat galo. Tuomet siaurapjūklis pjūklelis bus atlaisvintas.

► **Pav.9:** 1. Siaurapjūklis ašmenų laikiklis 2. Pjūklelio prispaudimo svirtelė 3. Siaurapjūklis ašmenys

**PASTABA:** Jei sunku ištraukti siaurapjūklis ašmenis, pasukite pjovimo režimo perjungimo svirtelę į III padėtį ir pastumkite siaurapjūklis ašmenų laikiklį į apačią. Jei norite pastumti siaurapjūklis ašmenų laikiklį į apačią, vieną kartą iki galo gražinkite ašmenų prispaudimo svirtelę į fiksuotą padėtį ir trumpam kelis kartus įjunkite įrankį.

**PASTABA:** Ritinėlių retkarčiais sutepkite.

## Šešiabriaunio raktio laikymas

Nenaudojamą šešiabriaunį raktą laikykite taip, kaip parodyta paveikslėlyje, kad nepamestumėte.

► **Pav.10:** 1. Šešiabriaunis raktas

## NAUDOJIMAS

**▲PERSPĖJIMAS:** Pagrindą visada laikykite lygiai priglaustą prie ruošinio. Kitaip siaurapjūklis geležtė gali lūžti ir sunkiai sužaloti.

**▲PERSPĖJIMAS:** Darydami lenktus arba įvįjus pjūvius, įrankį stumkite labai lėtai. Jei įrankį stumkite per didelę jėga, paviršius gali būti nelygiai nupjautas, o siaurapjūklis geležtė – lūžti.

Įjunkite įrankį. Siaurapjūklis pjūklelis neturi liesti ruošinio. Palaukite, kol siaurapjūklis pjūklelis pradės judėti visu greičiu. Po to padėkite pagrindą ant ruošinio ir atsargiai stumkite įrankį į priekį, išilgai iš anksto pažymėtos pjovimo linijos.

► **Pav.11:** 1. Pjovimo linija 2. Pagrindas

## Įstrižųjų pjūvių darymas

**▲PERSPĖJIMAS:** Prieš pakreipdami pagrindą, visada patikrinkite, ar įrankis išjungtas, o akumuliatoriaus kasetė išimta.

Pakreipus pagrindą, galima daryti bet kokio posvyrio – nuo 0° iki 45° (į kairę arba dešinę) – įstrižuosius pjūvius.

► **Pav.12**

Šešiabriaunio raktu atlaisvinkite varžtą, esantį priešingoje pagrindo pusėje. Pastumkite pagrindą taip, kad varžtas atsidurtų kryžiaus formos angos, esančios pagrindo, centre.

► **Pav.13:** 1. Šešiabriaunis raktas 2. Varžtas 3. Pagrindas

Pakreipkite pagrindą reikiamu kampu. Padalos ant variklio korpuso krašto nurodo pakreipimo kampą. Tada priveržkite varžtą, kad įtvirtintumėte pagrindą.

► **Pav.14:** 1. Kraštas 2. Padalos



## Tiesūs pjūviai iš priekio

Šešiabriauniu raktu atlaisvinkite varžtą pagrindo apačioje ir iki galo atitraukite pagrindą. Po to užveržkite varžtą, kad užfiksuotumėte pagrindą.

- **Pav.15:** 1. Šešiabriaunis raktas 2. Varžtas  
3. Pagrindas

## Išpjovos

Išpjovas galima daryti dviem būdais: išgręžiant pradinę skylę arba įleidžiamojo pjovimo būdu.

## Pradinės skylės išgręžimas

Jei norite padaryti vidinę išpjovą be pradinės pjovos iš krašto, reikia iš anksto išgręžti pradinę 12 mm arba didesnio skersmens skylę. Įkiškite siaurapjūklį geležtę į šią skylę ir pradėkite pjauti.

- **Pav.16**

## Įleidžiamasis pjovimas

Jei tiksliai atliksite toliau nurodytus veiksmus, nereikės gręžti pradinės skylės arba daryti pradinės pjovos.

1. Priekiniu pagrindo kraštu palieskite ruošinį ir pakreipkite įrankį, laikydami siaurapjūklį ašmenų galiuką vos virš ruošinio paviršiaus.
  2. Spauskite įrankį tiek, kad priekinis pagrindo kraštas nepajudėtų, kai įjungsite įrankį ir lėtai nuleisite jo galą.
  3. Kai siaurapjūklį geležtę įpjaus ruošinį, lėtai nuleiskite įrankio pagrindą ant ruošinio paviršiaus.
  4. Pjūvį baikite įprastu būdu.
- **Pav.17**

## Kraščių apdaila

Norėdami apipjauti kraštus arba pakoreguoti matmenis, siaurapjūklį geležtę švelniai stumkite palei pjūvio kraštą.

- **Pav.18**

## Metalo pjovimas

Pjaudami metalą, visada naudokite tinkamą aušinimo priemonę (pjovimo alyvą). Kitaip siaurapjūklį geležtę dėvėsis gerokai sparčiau. Sutepus ruošinio apačią, aušinimo priemonės nereikia.

## Pjuvenų nusiurbimas

## Dangtelio nuo dulkių uždėjimas ir nuėmimas

Įtaisykite dangtelį nuo dulkių, kaip parodyta paveikslėlyje.

- **Pav.19:** 1. Dangtelis nuo dulkių

Norėdami nuimti dangtelį nuo dulkių, paspauskite vieną dangtelio pusę, tada jį nuimkite, kaip parodyta paveikslėlyje.

- **Pav.20:** 1. Dangtelis nuo dulkių

## Dulkių ištraukimo antgalio uždėjimas ir nuėmimas

Šį įrankį galima prijungti prie „Makita“ dulkių siurblio, pritvirtinant dulkių ištraukimo antgalį.

Iki galo įkiškite dulkių ištraukimo antgalį į įrankį.

- **Pav.21:** 1. Dulkių ištraukimo antgalis

Norėdami nuimti dulkių ištraukimo antgalį, spausdami mygtuką ant dulkių ištraukimo antgalio, ištraukite dulkių ištraukimo antgalį.

- **Pav.22:** 1. Mygtukas 2. Dulkių ištraukimo antgalis

## Įrankio prijungimas prie vakuuminio valymo įrenginio

Prijunkite vakuuminį valymo įrenginį prie dulkių ištraukimo antgalio.

- **Pav.23**

## Pjovimo kreipiklis

### Pasirenkamas priedas

**▲PERSPĖJIMAS:** Prieš montuodami arba nuimdami priedus, visada patikrinkite, ar įrankis yra išjungtas, o akumulatoriaus kasetė išimta.

## Tiesūs pjūviai

Jei reikalingi keli pjūviai 160 mm arba mažesniu atstumu nuo krašto, naudokite pjovimo kreipiklį, kuris leidžia pjauti greitai, švariai ir tiesiai.

- **Pav.24:** 1. Pjovimo kreipiklis (kreipiamoji liniuotė)

Norėdami sumontuoti, įkiškite strypo dalį į kvadratinę kiaurymę pagrinde. Kreipiklio dalis turi būti nukreipta žemyn. Pastumkite kreipiamąją plokštelę į norimą pjovimo gylį padėję, o tada užveržkite ją varžtu.

- **Pav.25:** 1. Šešiabriaunis raktas 2. Varžtas  
3. Pjovimo kreipiklis (kreipiamoji liniuotė)

## Apskritiminiai pjūviai

Kai pjaunate apskritimu arba lanku, kurio spindulys 170 mm arba mažesnis, pjovimo kreipklį įtaisykite toliau nurodytu būdu.

- **Pav.26:** 1. Pjovimo kreipiklis (kreipiamoji liniuotė)

**▲PERSPĖJIMAS:** Nelieskite žiedinio kreiptuvo kaiščio galiuko. Aštrus žiedinio kreiptuvo kaiščio galiukas gali sužaloti.

1. Įkiškite strypo dalį į kvadratinę kiaurymę pagrinde. Kreipiklio dalis turi būti nukreipta aukštyn.

2. Įkiškite žiedinio kreiptuvo kaištį pro vieną iš dviejų kreipiklio dalies kiaurymių. Užsukite rankenėlę su sriegiu ant žiedinio kreiptuvo kaiščio, kad šį užfiksuotumėte.

- **Pav.27:** 1. Rankenėlė su sriegiu 2. Pjovimo kreipiklis (kreipiamoji liniuotė) 3. Žiedinio kreiptuvo kaištis 4. Varžtas 5. Šešiabriaunis raktas

3. Pjovimo kreipklį pastumkite tiek, kad pjovimo spindulys būtų toks, kokio reikia, ir prisukite varžtą jam užfiksuoti.

**PASTABA:** Darydami apskritiminius arba lanko formos pjūvius, visada naudokite siaurapjūklį geležtes Nr. B-17, B-18, B-26 arba B-27.

## Nuo skilimo saugantis įtaisas

### Pasirenkamasis priedas

**⚠️ PERSPĖJIMAS:** Nuo skilimo saugančio įtaiso negalima naudoti darant įstrižuosius pjūvius.

Norint atlikti tolygius pjūvius, galima naudoti nuo skilimo saugantį įtaisą. Jeigu norite įtaisyti nuo skilimo saugantį įtaisą, įrenginio pagrindą iki galo pastumkite į priekį ir įtaisą montuokite iš įrenginio pagrindo galo. Kai naudojate dengiamąją plokštę, nuo skilimo saugantį įtaisą montuokite ant dengiamosios plokštės.

► **Pav.28:** 1. Pagrindas 2. Nuo skilimo saugantis įtaisas

## Dengiamoji plokštė

Naudokite dengiamąją plokštę prireikus pjauti dekoratyvinę fanerą, plastiką ir pan. Ji saugo jautrius bei trapius paviršius nuo pažeidimų. Sumontuokite ją įrankio pagrindo apačioje.

► **Pav.29:** 1. Dengiamoji plokštė 2. Pagrindas

## Kreipiamosios juostos adapterio komplektas

### Pasirenkamasis priedas

Jeigu darote lygiagrečius ir vienodo pločio ar tiesius pjūvius ir naudojate kreiptuvu arba kreipiamosios juostos adapteriu, pjausite greitai ir švariai. Jeigu norite įtaisyti kreipiamosios juostos adapterį, liniuotę kuo giliau įkiškite į keturkampę angą pagrinde. Su šešiabriauniu veržliarakčiu tvirtai priveržkite varžtą.

► **Pav.30:** 1. Šešiakampis veržliaraktis 2. Liniuotė 3. Varžtas

Į kreipiamosios juostos adapterio keturkampę angą įkiškite liniuotę. Ant kreiptuvo įtaisykite kreipiamosios juostos adapterį.

► **Pav.31:** 1. Kreipiamosios juostos adapteris 2. Kreiptuvas 3. Varžtas

**PASTABA:** Jei naudojate kreipiamąją juosta ir kreipiamosios juostos adapteriu, būtinai įtaisykite šių numerių siaurapjūklį pjūklelius: B-8, B-13, B-16, B-17 arba 58.

## TECHNINĖ PRIEŽIŪRA

**⚠️ PERSPĖJIMAS:** Visuomet įsitikinkite, ar įrankis yra išjungtas ir akumuliatoriaus kasetė yra nuimta prieš atlikdami apžiūrą ir priežiūrą.

**PASTABA:** Niekada nenaudokite gazolino, benzino, tirpiklio, spirito arba panašių medžiagų. Gali atsirasti išblukimų, deformacijų arba įtrūkimų.

Kad gaminys būtų SAUGUS ir PATIKIMAS, jį taisyti, apžiūrėti ar vykdyti bet kokią kitą priežiūrą ar derinimą turi įgaliotasis kompanijos „Makita“ techninės priežiūros centras; reikia naudoti tik kompanijos „Makita“ pagamintas atsargines dalis.

## PASIRENKAMI PRIEDAI

**⚠️ PERSPĖJIMAS:** Šiuos papildomus priedus arba įtaisas rekomenduojama naudoti su šioje instrukcijoje nurodytu „Makita“ bendrovės įrankiu. Naudojant bet kokius kitus papildomus priedus arba įtaisas, gali kilti pavojus sužeisti žmones. Naudokite tik nurodytam tikslui skirtus papildomus priedus arba įtaisas.

Jeigu norite daugiau sužinoti apie tuos priedus, kreipkitės į artimiausią „Makita“ techninės priežiūros centrą.

- Siaurapjūklio ašmenys
- Kreiptuvo (kreipiamoji liniuotė) komplektas
- Kreipiamosios juostos adapterio komplektas
- Nuo skilimo saugantis įtaisas
- Dengiamoji plokštė
- Dulkių ištraukimo antgalis
- Dangtelis nuo dulkių
- Originalus „Makita“ akumuliatorius ir įkroviklis

**PASTABA:** Kai kurie sąraše esantys priedai gali būti pateikti įrankio pakuotėje kaip standartiniai priedai. Jie įvairiose šalyse gali skirtis.

## TEHNILISED ANDMED

<b>Mudel:</b>		<b>DJV185</b>
Käigu pikkus		23 mm
Käikude arv minutis		800–3 000 min <sup>-1</sup>
Lehe tüüp		B-tüüp
Max löikevõimekus	Puit	135 mm
	Karastamata teras	10 mm
	Alumiinium	20 mm
Üldpikkus (koos BL1860B)		259 mm
Nimipinge		Alalisvool 18 V
Netokaal		2,0–2,3 kg

- Meie pideva uuringu- ja arendusprogrammi tõttu võidakse tehnilisi andmeid muuta ilma sellest ette teatamata.
- Tehnilised andmed võivad riigiti erineda.
- Kaal võib erineda olenevalt liseseadistest, kaasa arvatud akukassetist. Kergeim ja raskeim kombinatsioon EPTA-protseduuri 01/2014 kohaselt on toodud tabelis.

## Sobiv akukasset ja laadija

Akukasset	BL1815N / BL1820B / BL1830B / BL1840B / BL1850B / BL1860B
Laadija	DC18RC / DC18RD / DC18RE / DC18SD / DC18SE / DC18SF / DC18SH / DC18WC

- Mõned eespool loetletud akukassetid ja -laadijad ei pruugi olla teie riigis saadaval.

**⚠HOIATUS:** Kasutage ainult ülalpool loetletud akukassette ja laadijaid. Muude akukassetide ja laadijate kasutamine võib tekitada vigastusi ja/või tulekahju.

## Kavandatud kasutus

Tööriist on ette nähtud puit-, plast- ja metallmaterjalide saagimiseks.

## Müra

Tüüpiline A-korrigeeritud müratase, määratud standardi EN62841-2-11 kohaselt:

Helirõhutase ( $L_{pA}$ ): 84 dB (A)

Helivõimsuse tase ( $L_{WA}$ ): 95 dB (A)

Määramatus (K): 3 dB (A)

**MÄRKUS:** Deklareeritud müra väärtust (väärtuseid) on mõõdetud kooskõlas standardse katsemeetodiga ning seda võib kasutada ühe seadme võrdlemiseks teisega.

**MÄRKUS:** Deklareeritud müra väärtust (väärtuseid) võib kasutada ka mürataseme esmaseks hindamiseks.

**⚠HOIATUS:** Kasutage kõrvakaitsmeid.

**⚠HOIATUS:** Müratase võib elektritööriista tege-  
likkuses kasutamise ajal erineda deklareeritud  
väärtus(t)est olenevalt tööriista kasutusviisidest  
ja eriti töödeldavast toorikust.

**⚠HOIATUS:** Rakendage operaatori kaitsmi-  
seks kindlasti piisavaid ohutusabinõusid, mis  
põhinevad hinnangulisel müratasemel tegelikus  
töösituatsioonis (võttes arvesse tööperioodi kõiki  
osasid, näiteks korrad, kui seade lülitatakse välja  
ja seade töötab tühikäigul, lisaks tööajale).

## Vibratsioon

Vibratsiooni koguväärtust (kolmeteljeliste vektorite summa) määratud standardi EN62841-2-11 kohaselt:

Töörežiim: laudade saagimine

Vibratsiooni emissioon ( $a_{h,B}$ ): 10,3 m/s<sup>2</sup>

Määramatus (K): 1,7 m/s<sup>2</sup>

Töörežiim: lehtmaterjali lõikamine

Vibratsioon ( $a_{h,M}$ ): 9,0 m/s<sup>2</sup>

Määramatus (K): 1,5 m/s<sup>2</sup>

**MÄRKUS:** Deklareeritud vibratsiooni koguväärtust (-väärtuseid) on mõõdetud kooskõlas standardse katsemeetodiga ning seda võib kasutada ühe seadme võrdlemiseks teisega.

**MÄRKUS:** Deklareeritud vibratsiooni koguväärtust (-väärtuseid) võib kasutada ka mürataseme esmaseks hindamiseks.

**⚠HOIATUS:** Vibratsioonitase võib elektritööriista tegelikkuses kasutamise ajal erineda deklareeritud väärtus(t)est olenevalt tööriista kasutusviisidest ja eriti töödeldavast toorikust.

**⚠HOIATUS:** Rakendage operaatori kaitsmiseks kindlasti piisavaid ohutusabinõusid, mis põhinevad hinnangulisel müratasemel tegelikus töösihtuolukorras (võttes arvesse tööperioodi kõiki osasid, näiteks korrad, kui seade lülitatakse välja ja seade töötab tühikäigul, lisaks tööajale).

## Vastavusdeklaratsioon

*Ainult Euroopa riikide puhul*

Vastavusdeklaratsioonid on selle juhendi A-lisas.

## OHUTUSHOIATUSED

### Üldised elektritööriistade ohutushoiatused

**⚠HOIATUS** Lugege läbi kõik selle elektritööriista kaasas olevad ohutushoiatused, juhised, illustratsioonid ja tehnilised andmed. Alljärgnevate juhiste eiramine võib põhjustada elektrilöögi, süttimise ja/või raske kehavigastuse.

### Hoidke edaspidisteks viide- teks alles kõik hoiatused ja juhtnöörid.

Hoiatuses kasutatud termini „elektritööriist“ all peetakse silmas elektriga töötavaid (juhtmega) elektritööriistu või akuga töötavaid (juhtmeta) elektritööriistu.

### Juhtmeta tikksae ohutusnõuded

1. Hoidke elektritööriista löikamise ajal isoleeritud käepidemest, kui löikeriist võib kokku puutuda peidetud juhtmetega. Voolu all oleva juhtmega kokkupuutesse sattunud löiketera võib pingestada elektritööriista metallosi ning põhjustada kasutajale elektrilöögi.
2. Kasutage klambreid või mõnda muud sobivat viisi töödeldava detaili kinnitamiseks ja toetamiseks stabiilsele alusele. Töödeldava detaili hoidmisel käega või vastu keha on detail ebastabiilses asendis ning võib põhjustada kontrolli kaotust.
3. Kasutage alati kaitseprille või ohutusprille. Tavalised prillid või päikesepriidid EI OLE kaitseprillid.
4. Vältige naeltesse sisselõikamist. Kontrollige, kas töödeldavas detailis on naelu. Eemaldage need enne töö alustamist.
5. Ärge lõigake ülemõõdulist detaili.
6. Enne lõikamist kontrollige piisava vaba ruumi olemasolu töödeldava detaili ümber, et tikksae leht ei tabaks pörandat, tööpinkki vms.
7. Hoidke tööriistast kindlalt kinni.
8. Veenduge enne lüliti sisselülitamist, et tikksae leht ei puutuks vastu töödeldavat detaili.

9. Hoidke käed liikuvatest osadest eemal.
10. Ärge jätke tööriista käima. Käivitage tööriist ainult siis, kui hoiate seda käes.
11. Enne tikksae lehe eemaldamist töödeldavast detailist lülitage tööriist alati välja ja oodake, kuni tikksae leht on lõplikult seiskunud.
12. Ärge puudutage tikksae lehte ega töödeldavat detaili vahetult pärast kasutamist, sest need võivad olla väga kuumad ja nahka põletada.
13. Ärge käitage tööriista tarbetult koormamata olekus.
14. Mõned materjalid võivad sisaldada mürgiseid aineid. Võtke meetmed tolmusisesehingamise ja nahaga kokkupuute vältimiseks. Järgige materjali tarnija ohutusteavet.
15. Kasutage alati õiget tolmumaski/respiraatorit, mis vastab materjalile ja rakendusele, millega töötate.

## HOIDKE JUHEND ALLES.

**⚠HOIATUS:** ÄRGE UNUSTAGE järgida toote ohutusnõudeid mugavuse või toote (korduskasutamise) saavutamise hea tundmise tõttu. VALE KASUTUS või kasutusjuhendi ohutuseeskirjade eiramine võib põhjustada tervisekahjustusi.

### Akukassetiga seotud olulised ohutusjuhised

1. Enne akukasseti kasutamist lugege (1) akulaadjal, (2) akul ja (3) seadmel olevad juhtnöörid ja hoiatused läbi.
2. Ärge võtke akukassetti lahti ega muutke seda. See võib põhjustada tulekahju, liigset kuumust või plahvatuse.
3. Kui tööaeg järsult lüheneb, siis lõpetage kohe kasutamine. Edasise kasutamise tulemuseks võib olla ülekuumenemisoht, võimalikud põletused või isegi plahvatus.
4. Kui elektrolüüti satub silma, siis loputage silma puhta veega ja pöörduge koheselt arsti poole. Selline õnnetus võib põhjustada pimedaksjäämist.
5. Ärge tekitage akukassetis lühist:
  - (1) Ärge puutuge klemme elektrijuhtidega.
  - (2) Ärge hoidke akukassetti tööriistakasti koos metallsemetega, nagu naelad, mündid jne.
  - (3) Ärge tehke akukassetti märjaks ega jätke seda vihma kätte.Aku lühis võib põhjustada tugevat elektrivoolu, ülekuumenemist, põletusi ning ka seadet tõsiselt kahjustada.
6. Ärge hoidke ega kasutage tööriista ja akukassetti kohtades, kus temperatuur võib tõusta üle 50 °C (122 °F).
7. Ärge põletage akukassetti isegi siis, kui see on saanud tõsiselt vigastada või on täiesti kulu- nud. Akukassett võib tules plahvatada.
8. Ärge naelutage, lõigake, muljuge, visake akukassetti ega laske sel kukkuda, samuti ärge lööge selle pihta kõva esemega. Selline tegevus võib põhjustada tulekahju, liigset kuumust või plahvatuse.
9. Ärge kasutage kahjustatud akut.

10. **Sisalduvatele liitium-ioonakudele võivad kohalduda ohtlike kaupade õigusaktide nõuded.** Kaubanduslikul transportimisel, näiteks kolmandate poolte või transpordiettevõtete poolt, tuleb järgida pakendil ja siltidel toodud erinõudeid. Transportimiseks ettevalmistamisel on vajalik pidada nõu ohtliku materjali ekspordiga. Samuti tuleb järgida võimalike riiklike regulatsioonide üksikasjalikumaid nõudeid. Katke teibiga või varjake avatud kontaktid ja pakendage aku selliselt, et see ei saaks pakendis liukuda.
11. **Kasutuskõlbmatuks muutunud akukassetti kõrvaldamiseks eemaldage see tööriistast ja viige selleks ette nähtud kohta.** Järgige kasutuskõlbmatuks muutunud aku kõrvaldamisel kohalikke eeskirju.
12. **Kasutage akusid ainult Makita heaks kiidetud toodetega.** Akude paigaldamine selleks mitte ettenähtud toodetele võib põhjustada süttimist, ülemäära kuumust, plahvatamist või elektrolüüdi lekkimist.
13. **Kui tööriista ei kasutata pika ajaperioodi jooksul, tuleb aku tööriistast eemaldada.**
14. **Kasutamise ajal ja pärast kasutamist võib akukassett kuumeneda, mis võib põhjustada põletusi või madala temperatuuri põletusi.** Olge kuumade akukassettide käsitsemisel ettevaatlik.
15. **Ärge puudutage tööriista klemmi kohe pärast kasutamist, sest see võib olla kuum ja põhjustada põletusi.**
16. **Hoidke akukassetti klemmid, avad ja sooned tükikestest, tolmust ja mullast puhtad.** See võib põhjustada tööriista või aku ülekuumenemist, süttimist, purunemist ja talitlushäireid, mis võib lõppeda põletuste või kehavigastustega.
17. **Kui tööriist ei kannata kasutamist kõrgepingeliinide lähedal, ärge kasutage akukassetti kõrgepingeliinide lähedal.** Muidu võib tööriist või akukassett puruneda või sellel tõrge tekkida.
18. **Hoidke akut lastele kättesaamatult.**

## HOIDKE JUHEND ALLES.

**⚠ETTEVAATUST:** Kasutage ainult Makita originaalakusid. Mitte Makita originaalakude või muudetud akude kasutamine võib põhjustada akude süttimise, kehavigastuse ja kahjustuse. Samuti muudab see kehtetuks Makita tööriista ja laadija Makita garantii.

## Vihjeid aku maksimaalse kasutaja tagamise kohta

1. **Laadige akukassetti enne täielikku tühjenemist.** Kui märkate, et tööriist töötab väiksema võimsusega, peatage töö ja laadige akukassetti.
2. **Ärge laadige täielikult laetud akukassetti.** Ülelaadimine lühendab akude kasutusiga.
3. **Laadige akukassetti toatemperatuuril 10 °C - 40 °C.** Enne laadimist laske kuumenenud akukassetil maha jahtuda.
4. **Kui te ei kasuta parajasti akukassetti, eemaldage see tööriistast või laadurist.**
5. **Kui te ei kasuta akukassetti kauem kui kuus kuud, laadige see.**

## FUNKTSIONAALNE KIRJELDUS

**⚠ETTEVAATUST:** Kandke alati hoolt selle eest, et tööriist oleks enne reguleerimist ja kontrollimist välja lülitatud ja akukassett eemaldatud.

### Akukassetti paigaldamine või eemaldamine

**⚠ETTEVAATUST:** Lülitage tööriist alati enne akukassetti paigaldamist või eemaldamist välja.

**⚠ETTEVAATUST:** Akukassetti paigaldamisel või eemaldamisel tuleb tööriista ja akukassetti kindlalt paigal hoida. Kui tööriista ja akukassetti ei hoita kindlalt paigal, võivad need käest libiseda ning kahjustada tööriista ja akukassetti või põhjustada kehavigastusi.

Akukassetti paigaldamiseks joondage akukassetti keel korpuse soonega ja libistage kassett oma kohale. Sisestage see tervenisti, kuni see lukustub klõpsuga oma kohale. Kui näete joonisel näidatud punast näidikut, pole see täielikult lukustunud.

Akukassetti eemaldamiseks libistage see tööriista küljest lahti, vajutades kassetti esiküljel paiknevat nuppu alla.

► **Joon.1:** 1. Punane näidik 2. Nupp 3. Akukassett

**⚠ETTEVAATUST:** Paigaldage akukassett alati täies ulatuses nii, et punast osa ei jääks näha.

Muidu võib adapter juhuslikult tööriistast välja kukkuda ning põhjustada teile või läheduses viibivatele isikutele vigastusi.

**⚠ETTEVAATUST:** Ärge rakendage akukassetti paigaldamisel jõudu. Kui kassett ei lähe kergesti sisse, pole see õigesti paigaldatud.

### Tööriista/aku kaitsesüsteem

Tööriist on varustatud tööriista või aku kaitsesüsteemiga. Süsteem lülitab mootori automaatselt välja, et pikendada tööriista ja aku tööiga. Tööriist seiskub käitamise ajal automaatselt, kui tööriista või aku kohta kehtib üks järgmistest tingimustest.

### Ülekoormuskaitse

Kui tööriist või aku hakkab kasutamise käigus tarbima ebaharilikult palju voolu, seiskub tööriist automaatselt ilma igasuguse märguandeta. Sellisel juhul lülitage tööriist välja ja lõpetage tööriista ülekoormuse põhjustanud kasutus. Pärast seda käivitage tööriist uuesti.

### Ülekuumenemiskaitse

Kui tööriist või aku on ülekuumenenud, peatub tööriist automaatselt ja lamp vilgub. Sellisel juhul laske tööriistal ja aku maha jahtuda, enne kui tööriista uuesti sisse lülitate.

## Ülelaadimiskaitse

Kui aku jääkmahtuvus ei ole piisav, seiskub tööriist automaatselt. Sellisel juhul eemaldage aku tööriistast ja laadige akut.

## Kaitse muude põhjuste korral

Kaitsesüsteem on mõeldud ka muude põhjuste jaoks, mis võivad tööriista kahjustada, ja võimaldab tööriistal automaatselt seiskuda. Kui tööriist on ajutiselt peatatud või seiskunud, toimige põhjuste kõrvaldamiseks järgnevalt.

1. Lülitage tööriist välja ja seejärel taaskäivitamiseks uuesti sisse.
2. Laadige akut (akusid) või asendage aku (akud).
3. Laske tööriistal ja akul (akudel) jahtuda.










Kui kaitsesüsteemi taastamisega ei õnnestu olukorda parandada, võtke ühendust kohaliku Makita hoolduskeskusega.

## Aku jääkmahutavuse näit

### Ainult näidikuga akukassettidele

Akukasseti järelejäänud mahutavuse kontrollimiseks vajutage kontrollimise nuppu. Märgulambid süttivad mõneks sekundiks.

► **Joon.2:** 1. Märgulambid 2. Kontrollimise nupp

Märgulambid			Jääkmahutavus
			
Pöleb	Ei põle	Vilgub	
			75 - 100%
			50 - 75%
			25 - 50%
			0 - 25%
			Laadige akut.
			Akul võib olla tõrge.

**MÄRKUS:** Näidatud mahutavus võib veidi erineda tegelikust mahutavusest olenevalt kasutustingimustest ja ümbritseva keskkonna temperatuurist.

**MÄRKUS:** Esimene (taga vasakul asuv) märgutuli vilgub, kui akukaitsesüsteem töötab.

## Lõikeviisi valimine

Seda tööriista saab kasutada ringja või otsesuunas (üles ja alla) lõikemeetodiga. Ringjas lõikemeetod töötab tikkisae lehte edasi ja suurendab lõikekiirust.

► **Joon.3:** 1. Lõikemeetodi muutmise hoob

Lõikemeetodi muutmiseks seadke lõikemeetodi muutmise hoob soovitud lõikemeetodi asendisse. Sobiva lõikemeetodi valimisel juhenduge tabelist.

Asend	Lõikemeetod	Rakendused
0	Otsesuunas lõikamine	Karastamata terase, roosteava terase ja plastide lõikamiseks. Puidu ja vineeri puhaslõikamiseks.
I	Väikese orbiidiga lõikemeetod	Karastamata terase, alumiiniumi ja lehtpuidu lõikamiseks.
II	Keskmise orbiidiga lõikemeetod	Puidu ja vineeri lõikamiseks. Alumiiniumi ja karastamata terase kiireks lõikamiseks.
III	Suure orbiidiga lõikemeetod	Puidu ja vineeri kiireks lõikamiseks.

## Eesmise lambi süütamine

**ÄETTEVAATUST:** Ärge vaadake otse valgusesse ega valgusallikat.

Lambi sisselülitamiseks vajutage lukustus-/avamisnuppu. Lambi väljalülitamiseks vajutage lukustus-/avamisnuppu uuesti.

► **Joon.4:** 1. Lamp 2. Lukustus-/avamisnupp

**TÄHELEPANU:** Kui tööriist on üle kuumenenud, vilgub tuli. Laske tööriistal enne uuesti kasutamist täielikult maha jahtuda.

**MÄRKUS:** Pühkige lamp kuiva lapiga puhtaks. Olge seda tehes ettevaatlik, et lambi läätse mitte kriimustada, sest muidu võib valgustus väheneda.

## Lüliti funktsioneerimine

Tööriista sisselülitamiseks vajutage lukustus-/avamisnuppu. Tööriist lülitub ooterežiimi. Tööriista käivitamiseks vajutage ooterežiimis start/stopp nuppu. Tööriista seiskamiseks vajutage start/stopp nuppu uuesti. Tööriist lülitub ooterežiimi. Tööriista väljalülitamiseks vajutage ooterežiimis lukustus-/avamisnuppu.

► **Joon.5:** 1. Lukustus-/avamisnupp 2. Start/stopp nupp

**MÄRKUS:** Kui ooterežiimis oleva tööriistaga 10 sekundi jooksul ühtegi toimingut ei tehta, siis lülitub tööriist automaatselt välja ja lamp kustub.

**MÄRKUS:** Tööriista on võimalik seisata ja välja lülitada, kui töötaval seadmel vajutada lukustus-/avamisnuppu.

Lambi ereduse vähendamiseks vajutage ja hoidke ooterežiimi lülitamise ajal all lukustus-/avamisnuppu. Umbes 1 sekund pärast lukustus-/avamisnupu vajutamist hakkab lambi eredus vähenema, seega laske lukustus-/avamisnupp soovitud ereduse saavutamisel lahti. See lülitab ka tööriista ooterežiimi. Umbes 3 sekundit pärast lukustus-/avamisnupu vajutamist väheneb lambi eredus miinimumini ja ei muutu pärast seda.

**MÄRKUS:** Lambi eredust ei saa muuta, kui tööriist on ooterežiimis. Lambi ereduse reguleerimiseks lülitage tööriist välja.

**MÄRKUS:** Lambi ereduse mälu funktsiooni ei ole. Kui lülitate lambi välja ja seejärel sisse, süttib lamp alati maksimaalse eredusega.

## Kiirusregulaator

Tööriista kiirust saab reguleerida kiirusregulaatorit keerates. Suurima kiiruse tagab säte 5 ja väikseima kiiruse säte 1.

► **Joon.6:** 1. Kiirusregulaator

Juhinduge töödeldava detaili jaoks sobiva kiiruse valimisel tabelist. Sobiv kiirus võib olenevalt töödeldava detaili tüübist või paksusest siiski erineda. Tavaliselt võimaldab suurem kiirus küll lõigata töödeldavat detaili kiiremini, ent samas lüheneb sellisel juhul kasutatava tikksae lehe kasutusiga.

Töödeldav detail	Number
Puit	4–5
Karastamata teras	3–5
Roostevaba teras	3–4
Alumiinium	3–5
Plast	1–4

**TÄHELEPANU:** Kiirusregulaatorit saab keerata ainult kuni 5-ni ja tagasi kuni 1-ni. Ärge keerake ketast jõuga üle 5 või 1, muidu võib kiiruse reguleerimise funktsioon rikki minna.

## Elektrooniline funktsioon

Tööriist on varustatud lihtsana kasutamise jaoks elektrooniliste funktsioonidega.

### Sujuvkäivitus

Sujuvkäivituse funktsioon minimeerib käivitamisel tagasilööki ja võimaldab tööriistal sujuvalt käivituda.

### Püsikiiruse juhtimine

Elektrooniline kiiruse juhtimine püsikiiruse saavutamiseks. Võimaldab täpset viimistlemist, kuna tööriista kiirus püsib ühtlasena ka koormuse tingimustes.

## Koormuseta sujupöörlamise funktsioon

Kui kiirusregulaator on seadistatud sättele 2 või kõrgemale, vähendab tööriist vibratsiooni vähendamiseks ja tikksae lehe hõlpsaks lõikejoonega joondamiseks automaatselt tööriista kiirust, kuni tööriistaga alustatakse töödeldava detaili lõikamist. Kui tööriistaga on alustatud töödeldava detaili lõikamist, tõuseb tööriista kiirus eelseadistatud kiiruseni, mida hoitakse tööriista seisukumiseni.

**MÄRKUS:** Madala temperatuuri korral ei pruugi see funktsioon kasutatav olla. Samuti ei pruugi see funktsioon olla saadaval sõltuvalt materjalist, tikksae lehest ja tööriista kiirusest.

## Koormuseta sujupöörlamise funktsiooni inaktiveerimine või aktiveerimine

Koormuseta sujupöörlamise funktsiooni inaktiveerimiseks või aktiveerimiseks toimige alljärgnevalt.

1. Veenduge, et tööriist oleks välja lülitatud.
2. Seadistage kiirusregulaator sättele „1”.
3. Vajutage tööriista sisselülitamiseks lukustus-/avamisnuppu.
4. Keerake kiirusregulaatorit ja seadistage see sättele „5”. Seejärel keerake see tagasi sättele „1”.

Tuli vilgub kaks korda, mis annab märku sellest, et koormuseta sujupöörlamise funktsioon on inaktiveeritud. Funktsiooni uuesti aktiveerimiseks korrake sama protseduuri.

**MÄRKUS:** Kui koormuseta sujupöörlamise funktsioon on inaktiveeritud, vilgub tuli tööriista sisselülitamisel kaks korda.

**MÄRKUS:** Lisaks võite koormuseta sujupöörlamise funktsiooni inaktiveerimiseks või aktiveerimiseks keerata kiirusregulaatori sättele „5” sättele „1” ning sättele „1” sättele „5”.

## Elektriline pidur

Tööriistal on elektripidur. Kui tööriist ei kireseku järjepidevalt kohe pärast start/stopp nupu või lukustus-/avamisnupu vajutamist, viige tööriist hoolduseks Makita teeninduskeskusesse.

## KOKKUPANEK

**⚠ETTEVAATUST:** Kandke alati hoolt selle eest, et tööriist oleks enne igasuguseid hooldustöid välja lülitatud ja akukassett eemaldatud.

## Tikksae lehe paigaldamine või eemaldamine

**⚠ETTEVAATUST:** Puhastage tikksae leht ja/või saelehe hoidja alati kõikidest nende külge jäänud laastudest ja võorkehadedest. Selle nõude eiramise tagajärjeks võib olla tikksae lehe ebapiisav pingutamine, mis võib põhjustada tõsiseid kehavigastusi.

**⚠ETTEVAATUST:** Ärge puudutage tikksae lehte ega töödeldavat detaili vahetult pärast töö tegemist. Need võivad olla väga kuumad ja põletada teie nahka.

**⚠ETTEVAATUST:** Pingutage tikksae leht alati tugevalt. Tikksae lehe ebapiisav pingutamine võib põhjustada lehe purunemise või raske kehavigastuse.

**⚠ETTEVAATUST:** Kasutage ainult B-tüüpi tikksae lehti. B-tüübist erinevate saelehtede kasutamisel ei pingutata tikksae lehte piisavalt, mis võib põhjustada raskeid kehavigastusi.

**⚠ETTEVAATUST:** Olge tikksae lehe eemaldamisel ettevaatlik, et mitte vigastada sõrmi tikksae lehe otsa või töödeldava detaili teravate servadega.



Enne tikksae lehe paigaldamist veenduge, et teraklambri hoob oleks avatud asendis.

Tikksae lehe paigaldamiseks tuleb tikksae leht sisestada (hambad eespool) tikksae lehe hoidikusse. Teraklambri hoob liigub fikseeritud asendisse ja tikksae leht lukustatakse. Kontrollige, kas tikksae lehe tagumine serv fikseerus rullikusse. Tõmmake kergelt tikksae lehte, veendumaks, et see töötamise ajal küljest ära ei kukuks.

► **Joon.7:** 1. Tikksae lehe hoidja 2. Teraklambri hoob (vabastatud asend) 3. Teraklambri hoob (fikseeritud asend)

► **Joon.8:** 1. Tikksae lehe hoidik 2. Tikksae leht 3. Rullik

**⚠ETTEVAATUST:** Kui teraklambri hoob ei liigu fikseeritud asendisse, ei ole tikksae leht täielikult sisestatud. Ärge vajutage teraklambri hooba fikseeritud asendisse käega. See võib tööriista kahjustada.

Tikksae lehe eemaldamiseks lükake teraklambri hoob võimalikult ette. See võimaldab tikksae lehe vabastada.

► **Joon.9:** 1. Tikksae lehe hoidik 2. Teraklambri hoob 3. Tikksae leht

**MÄRKUS:** Kui tikksae lehte on raske eemaldada, keerake lõikemeetodi muutmise hoob asendisse „III“ ja viige tikksae lehe hoidik alla. Tikksae lehe hoidiku allaviimiseks viige teraklambri hoob üks kord täielikult fikseeritud asendisse ja lülitage tööriist mitu korda kergelt sisse.

**MÄRKUS:** Määrige rullikut vahetevahel.

## Kuuskantvõtme hoiulepanek

Kui kuuskantvõtit ei kasutata, siis pange see joonisel näidatud viisil hoiule, et vältida selle ära kadumist.

► **Joon.10:** 1. Kuuskantvõti

## TÖÖRIISTA KASUTAMINE

**⚠ETTEVAATUST:** Tald peab alati toetuma töödeldavale detailile. Muidu võib tikksae leht puruneda ja põhjustada tõsise vigastuse.

**⚠ETTEVAATUST:** Juhtige tööriista kaarjaid või ringlõikeid tehes edasi väga aeglaselt. Tööriista jõuga edasi sundimise tagajärjel võib lõikepind olla kaldus ning tikksae leht puruneda.

Lülitage tööriist sisse ilma, et tikksae leht millegagi kokku puutuks, ja oodake, kuni tikksae leht saavutab täiskiiruse. Seejärel toetage tald töödeldavale detailile ja liigutage tööriista piki ettemärgitud lõikejoont ettevaatlikult ettepoole.

► **Joon.11:** 1. Lõikejoon 2. Tald

## Kaldlõikamine

**⚠ETTEVAATUST:** Enne aluse kallutamist peab tööriist olema kindlasti välja lülitatud ja akukasest kere küljest eemaldatud.

Saate kaldu seatud tallaga teha kaldlõikeid iga nurga all vahemikus 0° kuni 45° (vasak või parem).

► **Joon.12**

Keerake talla all olevat polti kuuskantvõtme lahti-poolle. Liigutage tald selliselt, et polt asuks tallas oleva ristküjulise ava keskel.

► **Joon.13:** 1. Kuuskantvõti 2. Polt 3. Alus

Kallutage alus soovitud kaldenurga alla. Mootorikorpuse serv näitab kaldenurka astmete kaupa. Seejärel pingutage aluse kinnitamiseks polti.

► **Joon.14:** 1. Serv 2. Mõõteskaala

## Tasalõiked talla esiservaga

Keerake kuuskantvõtme talla all olevat polti lahti-poolle ja libistage tald võimalikult taha. Seejärel pingutage talla kinnitamiseks polti.

► **Joon.15:** 1. Kuuskantvõti 2. Polt 3. Tald

## Väljalõiked

Väljalõikeid saab teha kahel meetodil: lähteava puurimine või sukelduslõikamine.

## Lähteava puurimine

Puurige enne 12 mm või suurema diameetriga lähteava selliste seesmistele väljalõigete jaoks, mille puhul te ei tee servast algavat sisseviivat lõiget. Sisestage tikksae leht lõikamise alustamiseks sellesse avasse.

► **Joon.16**

## Sukelduslõikamine

Lähteava ei ole vaja puurida ega sisseviivat lõiget teha, kui toimite ettevaatlikult järgmiselt.

1. Asetage talla esikülj vastu töödeldavat detaili ja kallutage tööriista nii, et tikksae lehe ots paikneks töödeldava detaili pinnast veidi kõrgemal.

2. Suruge tööriistale selliselt, et talla esiserv ei liiguks, kui tööriista sisse lülitate, ja laske tööriista tagumine ots aeglaselt allapoole.

3. Kui tikksae leht tungib töödeldavasse detaili, laske tööriista tald aeglaselt alla töödeldava detaili pinnale.

4. Lõpetage lõikamine tavalisel viisil.

► **Joon.17**

## Servade viimistlemine

Liigutage tikksae lehte servade viimistlemiseks või mõõtmete parandamiseks kergelt piki lõigatud servasid.

► **Joon.18**



## Metalli lõikamine

Kasutage metalli lõikamisel alati sobivat jahutusainet (metallitõõtusõli). Selle nõude eiramise tagajärjel kulub tikksae leht oluliselt rohkem. Jahutusvedeliku kasutamise asemel võib määrada töödeldava detaili alumist poolt.

## Tolmu eemaldamine

### Tolmukatte paigaldamine ja eemaldamine

Paigaldage tolmu kate joonisel näidatud viisil.

► **Joon.19:** 1. Tolmukate

Vajutage tolmu kate eemaldamiseks katte ühele servale ja seejärel eemaldage see joonisel näidatud viisil.

► **Joon.20:** 1. Tolmukate

### Tolmuotsiku paigaldamine ja eemaldamine

Kui paigaldate tolmuotsiku, saab selle tööriista ühendada Makita tolmuimejaga.

Sisestage tolmuotsik täielikult tööriista.

► **Joon.21:** 1. Tolmuotsik

Tolmuotsiku eemaldamiseks tõmmake see välja, vajutades samal ajal tolmuotsikul olevat nuppu.

► **Joon.22:** 1. Nupp 2. Tolmuotsik

### Tööriista ühendamine tolmuimejaga

Ühendage tolmuimeja voolik tolmuotsikuga.

► **Joon.23**

## Piire

### Valikuline tarvik

**⚠ETTEVAATUST:** Enne tarvikute lisamist või eemaldamist peab tööriist olema kindlasti välja lülitatud ja akukassett kere küljest eemaldatud.

### Sirged lõiked

Pidevalt 160 mm või väiksemaid laiusi lõigates tagab lõikejuhtjoolnlaud kasutamine lõikamisel kiire, puhta ja sirge tulemuse.

► **Joon.24:** 1. Piire (juhtjoolnlaud)

Paigaldamiseks sisestage joolnlauda osa talle kandilisse avasse, nii et piirdeosa oleks suunatud alla. Lükake piire soovitud lõikelaiuse asendisse ning seejärel keerake polt kinni.

► **Joon.25:** 1. Kuuskantvõti 2. Polt 3. Piire (juhtjoolnlaud)

## Ringikujulised lõiked

Paigaldage lõikejuhtjoolnlaud järgmiselt, kui lõikate 170 mm või väiksema raadiusega ringe või kaari.

► **Joon.26:** 1. Piire (juhtjoolnlaud)

**⚠ETTEVAATUST:** Ärge puudutage ringjuhiku tihvti otsa. Ringjuhiku tihvti terav ots võib põhjustada vigastusi.

1. Sisestage joolnlauda osa talle kandilisse avasse, nii et piirdeosa oleks suunatud üles.

2. Sisestage ringjuhiku tihvt läbi ühe piirdeosa olevast kahest avast. Ringjuhiku tihvti kinnitamiseks keerake keermesnupp ringjuhiku tihvtile.

► **Joon.27:** 1. Keermesnupp 2. Piire (juhtjoolnlaud)

3. Ringjuhiku tihvt 4. Polt 5. Kuuskantvõti

3. Libistage juhtjoolnlaud soovitud lõikeraadiusele ja pingutage selle kohale kinnitamiseks polti.

**MÄRKUS:** Kasutage ringe või kaari lõigates alati tikksae lehti nr B-17, B-18, B-26 või B-27.

## Pinnuliseks muutumise vastane seadis

### Lisatarvik

**⚠ETTEVAATUST:** Pinnuliseks muutumise vastast seadist ei saa kasutada kaldlõigete tegemisel.

Pindudeta lõigete saamiseks võib kasutada pindudevastast seadist. Pinnuliseks muutumise vastase seadise paigaldamiseks liigutage tööriista tald võimalikult ette ja sobitage see kohale tööriista talle alt.

Katteplaati kasutades paigaldage pinnuliseks muutmise vastane seadis kattepladile.

► **Joon.28:** 1. Alus 2. Pinnuliseks muutmise vastane seadis

## Katteplaat

Dekoratiivvineeri, plasti jms lõikamisel kasutage katteplaati. See kaitseb tundlikke või õrnu pindu kahjustuste eest. Paigaldage see tööriista talle põhjale.

► **Joon.29:** 1. Katteplaat 2. Tald

## Juhtpiirde adapteri komplekt

### Lisatarvik

Paralleelselt ja ühtlase laiusega lõigete korral või sirgelt lõikamisel tagab juhtpiirde ning juhtpiirde adapteri kasutamine kiired ja laitmatud lõiked. Toimige juhtpiirde adapteri paigaldamiseks järgmiselt: sisestage joolnlaud võimalikult sügavale alusel olevasse nelinurksesse avasse. Fikseerige polt kuuskantvõtme abil korralikult.

► **Joon.30:** 1. Kuuskantvõti 2. Joolnlaud 3. Polt

Sisestage joolnlaud juhtpiirde adapteri nelinurksesse avasse ja fikseerige kruvi korralikult. Pange juhtpiirde adapter juhtpiirdele.

► **Joon.31:** 1. Juhtpiirde adapter 2. Juhtpiire 3. Kruvi

**TÄHELEPANU:** Juhtpiirde ja juhtpiirde adapteri kasutamisel tuleb alati kasutada tikksae lehte, mille number on B-8, B-13, B-16, B-17 või 58.

# HOOLDUS

**⚠ETTEVAATUST:** Enne kontroll- või hooldustoimingute tegemist kandke alati hoolt selle eest, et tööriist oleks välja lülitatud ja akukassett korpuse küljest eemaldatud.

**TÄHELEPANU:** Ärge kunagi kasutage bensiini, vedelidit, alkoholi ega midagi muud sarnast. Selle tulemuseks võib olla luitumine, deformatsioon või pragunemine.

Toote OHUTUSE ja TÖÖKINDLUSE tagamiseks tuleb vajalikud remonttööd ning muud hooldus- ja reguleerimistööd lasta teha Makita volitatud teeninduskeskustes või tehase teeninduskeskustes. Alati tuleb kasutada Makita varuosi.

# VALIKULISED TARIKUD

**⚠ETTEVAATUST:** Neid tarvikuid ja lisaseadiseid on soovitatav kasutada koos Makita tööriistaga, mille kasutamist selles kasutusjuhendis kirjeldatakse. Muude tarvikute ja lisaseadiste kasutamisega kaasneb vigastada saamise oht. Kasutage tarvikuid ja lisaseadiseid ainult otstarbekohaselt.

Saate vajaduse korral kohalikust Makita teeninduskeskusest lisateavet nende tarvikute kohta.

- Tikksae lehed
- Lõikejuhtjoonlaua (juhikmöötlaua) komplekt
- Juhtpiirde adapteri komplekt
- Pinnuliseks muutumise vastane seadis
- Katteplaat
- Tolmuotsik
- Tolmukate
- Makita algupärane aku ja laadija

**MÄRKUS:** Mõned nimekirjas loetletud tarvikud võivad kuuluda standardvarustusse ning need on lisatud tööriista pakendisse. Need võivad riigiti erineda.

## ТЕХНИЧЕСКИЕ ХАРАКТЕРИСТИКИ

Модель:		DJV185
Длина хода		23 мм
Ходов в минуту		800 - 3 000 мин <sup>-1</sup>
Тип пильного полотна		Тип В
Макс. производительность резки	Дерево	135 мм
	Мягкая сталь	10 мм
	Алюминий	20 мм
Общая длина (с BL1860B)		259 мм
Номинальное напряжение		18 В пост. тока
Масса нетто		2,0 - 2,3 кг

- Благодаря нашей постоянно действующей программе исследований и разработок указанные здесь технические характеристики могут быть изменены без предварительного уведомления.
- Технические характеристики могут различаться в зависимости от страны.
- Масса может отличаться в зависимости от дополнительного оборудования. Обратите внимание, что блок аккумулятора также считается дополнительным оборудованием. В таблице представлены комбинации с наибольшим и наименьшим весом в соответствии с процедурой EPTA 01/2014.

### Подходящий блок аккумулятора и зарядное устройство

Блок аккумулятора	BL1815N / BL1820B / BL1830B / BL1840B / BL1850B / BL1860B
Зарядное устройство	DC18RC / DC18RD / DC18RE / DC18SD / DC18SE / DC18SF / DC18SH / DC18WC

- В зависимости от региона проживания некоторые блоки аккумуляторов и зарядные устройства, перечисленные выше, могут быть недоступны.

**⚠ ОСТОРОЖНО:** Используйте только перечисленные выше блоки аккумуляторов и зарядные устройства. Использование других блоков аккумуляторов и зарядных устройств может привести к травме и/или пожару.

### Назначение

Данный инструмент предназначен для распиливания древесных, пластмассовых и металлических материалов.

### Шум

Типичный уровень взвешенного звукового давления (A), измеренный в соответствии с EN62841-2-11:  
 Уровень звукового давления ( $L_{pA}$ ): 84 дБ (A)  
 Уровень звуковой мощности ( $L_{WA}$ ): 95 дБ (A)  
 Погрешность (K): 3 дБ (A)

**ПРИМЕЧАНИЕ:** Заявленное значение распространения шума измерено в соответствии со стандартной методикой испытаний и может быть использовано для сравнения инструментов.

**ПРИМЕЧАНИЕ:** Заявленное значение распространения шума можно также использовать для предварительных оценок воздействия.

**⚠ ОСТОРОЖНО:** Используйте средства защиты слуха.

**⚠ ОСТОРОЖНО:** Распространение шума во время фактического использования электроинструмента может отличаться от заявленного значения в зависимости от способа применения инструмента и в особенности от типа обрабатываемой детали.

**⚠ ОСТОРОЖНО:** Обязательно определите меры безопасности для защиты оператора, основанные на оценке воздействия в реальных условиях использования (с учетом всех этапов рабочего цикла, таких как выключение инструмента, работа без нагрузки и включение).

### Вибрация

Суммарное значение вибрации (сумма векторов по трем осям), определенное в соответствии с EN62841-2-11:

Рабочий режим: резка панелей  
 Распространение вибрации ( $a_{h,B}$ ): 10,3 м/с<sup>2</sup>  
 Погрешность (K): 1,7 м/с<sup>2</sup>

Рабочий режим: резка листового металла  
 Распространение вибрации ( $a_{h,M}$ ): 9,0 м/с<sup>2</sup>  
 Погрешность (K): 1,5 м/с<sup>2</sup>

**ПРИМЕЧАНИЕ:** Заявленное общее значение распространения вибрации измерено в соответствии со стандартной методикой испытаний и может быть использовано для сравнения инструментов.

**ПРИМЕЧАНИЕ:** Заявленное общее значение распространения вибрации можно также использовать для предварительных оценок воздействия.

**⚠ОСТОРОЖНО:** Распространение вибрации во время фактического использования электроинструмента может отличаться от заявленного значения в зависимости от способа применения инструмента и в особенности от типа обрабатываемой детали.

**⚠ОСТОРОЖНО:** Обязательно определите меры безопасности для защиты оператора, основанные на оценке воздействия в реальных условиях использования (с учетом всех этапов рабочего цикла, таких как выключение инструмента, работа без нагрузки и включение).

## Декларации о соответствии

### *Только для европейских стран*

Декларации о соответствии включены в Приложение А к настоящему руководству по эксплуатации.

## МЕРЫ БЕЗОПАСНОСТИ

### Общие рекомендации по технике безопасности для электроинструментов

**⚠ОСТОРОЖНО** Ознакомьтесь со всеми инструкциями по технике безопасности, указаниями, иллюстрациями и техническими характеристиками, прилагаемыми к данному электроинструменту. Несоблюдение всех приведенных далее инструкций может привести к поражению электрическим током, возгоранию и/или тяжелым травмам.

### Сохраните брошюру с инструкциями и рекомендациями для дальнейшего использования.

Термин "электроинструмент" в предупреждениях относится ко всему инструменту, работающему от сети (с проводом) или на аккумуляторах (без провода).

### Правила техники безопасности при эксплуатации аккумулятора лобзика

1. Если при выполнении работ существует риск контакта режущего инструмента со скрытой электропроводкой, держите электроинструмент за специально предназначенные изолированные поверхности. Контакт с проводом под напряжением приведет к тому, что металлические детали инструмента также будут под напряжением. Это может стать причиной поражения оператора электрическим током.

2. Для фиксации разрезаемой детали на устойчивой поверхности используйте зажимы или другие соответствующие приспособления. Никогда не держите распиливаемые детали в руках и не прижимайте их к телу, так как это не обеспечит устойчивого положения детали и может привести к потере контроля над инструментом.
3. Обязательно надевайте защитные очки или защитную маску для лица. Обычные или солнцезащитные очки НЕ ЯВЛЯЮТСЯ защитными очками.
4. Избегайте попадания режущего инструмента на гвозди. Перед пилением осмотрите деталь и убедитесь в отсутствии гвоздей.
5. Не распиливайте детали, превышающие допустимый размер.
6. Убедитесь в наличии свободного пространства вокруг распиливаемой детали, чтобы лопотно ножовочной пилы не уперлось в пол, верстак и т. п.
7. Крепко держите инструмент.
8. Перед включением убедитесь в том, что лопотно ножовочной пилы не касается обрабатываемой детали.
9. Руки должны находиться на расстоянии от движущихся деталей.
10. Не оставляйте работающий инструмент без присмотра. Включайте инструмент только тогда, когда он находится в руках.
11. Перед извлечением полотна ножовочной пилы из обрабатываемой детали обязательно выключайте инструмент и дождитесь полного прекращения его движения.
12. Не прикасайтесь к полотну ножовочной пилы или обрабатываемой детали сразу после работы: они могут быть очень горячими и обжечь кожу.
13. Без необходимости не эксплуатируйте инструмент без нагрузки.
14. Некоторые материалы могут содержать токсичные химические вещества. Примите соответствующие меры предосторожности, чтобы избежать вдыхания или контакта с кожей таких веществ. Соблюдайте требования, указанные в паспорте безопасности материала.
15. Обязательно используйте соответствующую пылезастыжную маску/респиратор для защиты дыхательных путей от пыли разрезаемых материалов.

## СОХРАНИТЕ ДАННЫЕ ИНСТРУКЦИИ.

**⚠ОСТОРОЖНО:** НЕ ДОПУСКАЙТЕ, чтобы удобство или опыт эксплуатации данного устройства (полученный от многократного использования) доминировали над строгим соблюдением правил техники безопасности при обращении с этим устройством. НЕПРАВИЛЬНОЕ ИСПОЛЬЗОВАНИЕ инструмента или несоблюдение правил техники безопасности, указанных в данном руководстве, может привести к тяжелой травме.

## Важные правила техники безопасности для работы с аккумуляторным блоком

1. Перед использованием аккумуляторного блока прочитайте все инструкции и предупреждающие надписи на (1) зарядном устройстве, (2) аккумуляторном блоке и (3) инструменте, работающем от аккумуляторного блока.
2. Не разбирайте блок аккумулятора и не меняйте его конструкцию. Это может привести к пожару, перегреву или взрыву.
3. Если время работы аккумуляторного блока значительно сократилось, немедленно прекратите работу. В противном случае, может возникнуть перегрев блока, что приведет к ожогам и даже к взрыву.
4. В случае попадания электролита в глаза промойте их обильным количеством чистой воды и немедленно обратитесь к врачу. Это может привести к потере зрения.
5. Не замыкайте контакты аккумуляторного блока между собой:

- (1) Не прикасайтесь к контактам какими-либо токопроводящими предметами.
- (2) Не храните аккумуляторный блок в контейнере вместе с другими металлическими предметами, такими как гвозди, монеты и т. п.
- (3) Не допускайте попадания на аккумуляторный блок воды или дождя.

Замыкание контактов аккумуляторного блока между собой может привести к возникновению большого тока, перегреву, возможному ожогу и даже поломке блока.

6. Не храните и не используйте инструмент и аккумуляторный блок в местах, где температура может достигать или превышать 50 °C (122 °F).
7. Не бросайте аккумуляторный блок в огонь, даже если он сильно поврежден или полностью вышел из строя. Аккумуляторный блок может взорваться под действием огня.
8. Запрещено бивать гвозди в блок аккумулятора, резать, ломать, бросать, ронять блок аккумулятора или ударять его твердым предметом. Это может привести к пожару, перегреву или взрыву.
9. Не используйте поврежденный аккумуляторный блок.
10. Входящие в комплект литий-ионные аккумуляторы должны эксплуатироваться в соответствии с требованиями законодательства об опасных товарах. При коммерческой транспортировке, например, третьей стороной или экспедитором, необходимо нанести на упаковку специальные предупреждения и маркировку. В процессе подготовки устройства к отправке обязательно проконсультируйтесь со специалистом по опасным материалам. Также соблюдайте местные требования и нормы. Они могут быть строже. Закройте или закрепите разъемные контакты и упакуйте аккумулятор так, чтобы он не перемещался по упаковке.
11. Для утилизации блока аккумулятора извлеките его из инструмента и утилизируйте безопасным способом. Выполняйте требования местного законодательства по утилизации аккумуляторного блока.

12. Используйте аккумуляторы только с продукцией, указанной Makita. Установка аккумуляторов на продукцию, не соответствующую требованиям, может привести к пожару, перегреву, взрыву или утечке электролита.
13. Если инструментом не будут пользоваться в течение длительного периода времени, извлеките аккумулятор из инструмента.
14. Во время и после использования блок аккумулятора может нагреваться, что может стать причиной ожогов или низкотемпературных ожогов. Будьте осторожны при обращении с горячим блоком аккумулятора.
15. Не прикасайтесь к контактам инструмента сразу после использования, поскольку они могут быть достаточно горячими, чтобы вызвать ожоги.
16. Не допускайте налипания на контакты, отверстия и пазы блока аккумулятора опилок, пыли или земли. Это может стать причиной перегрева, возгорания, взрыва или неисправности инструмента или блока аккумулятора, что может привести к ожогам или травмам.
17. Если инструмент не рассчитан на использование вблизи высоковольтных линий электропередач, не используйте блок аккумулятора вблизи высоковольтных линий электропередач. Это может привести к неисправности, поломке инструмента или блока аккумулятора.
18. Храните аккумулятор в недоступном для детей месте.

## СОХРАНИТЕ ДАННЫЕ ИНСТРУКЦИИ.

**▲ВНИМАНИЕ:** Используйте только фирменные аккумуляторные батареи Makita.

Использование аккумуляторных батарей, не произведенных Makita, или батарей, которые были подвергнуты модификациям, может привести к взрыву аккумулятора, пожару, травмам и повреждению имущества. Это также автоматически аннулирует гарантию Makita на инструмент и зарядное устройство Makita.

## Советы по обеспечению максимального срока службы аккумулятора

1. Заряжайте блок аккумуляторов перед его полной разрядкой. Обязательно прекратите работу с инструментом и зарядите блок аккумуляторов, если вы заметили снижение мощности инструмента.
2. Никогда не подзаряжайте полностью заряженный блок аккумуляторов. Перезарядка сокращает срок службы аккумулятора.
3. Заряжайте блок аккумуляторов при комнатной температуре в 10 - 40 °C (50 - 104 °F). Перед зарядкой горячего блока аккумулятора дайте ему остыть.
4. Если блок аккумулятора не используется, извлеките его из инструмента или зарядного устройства.
5. Зарядите ионно-литиевый аккумуляторный блок, если вы не будете пользоваться инструментом длительное время (более шести месяцев).

# ОПИСАНИЕ РАБОТЫ

**▲ВНИМАНИЕ:** Перед регулировкой или проверкой функций инструмента обязательно убедитесь, что он выключен и его аккумуляторный блок снят.

## Установка или снятие блока аккумулятора

**▲ВНИМАНИЕ:** Обязательно выключайте инструмент перед установкой и извлечением аккумуляторного блока.

**▲ВНИМАНИЕ:** При установке и извлечении аккумуляторного блока крепко удерживайте инструмент и аккумуляторный блок. Если не соблюдать это требование, они могут выскользнуть из рук, что приведет к повреждению инструмента, аккумуляторного блока и травмированию оператора.

Для установки блока аккумулятора совместите выступ блока аккумулятора с пазом в корпусе и задвиньте его на место. Устанавливайте блок до упора, чтобы он зафиксировался с небольшим щелчком. Если вы видите красный индикатор, как показано на рисунке, он не зафиксирован полностью.

Для снятия аккумуляторного блока нажмите кнопку на лицевой стороне и извлеките блок.

► **Рис.1:** 1. Красный индикатор 2. Кнопка 3. Блок аккумулятора

**▲ВНИМАНИЕ:** Обязательно устанавливайте блок аккумулятора до конца, чтобы красный индикатор не был виден. В противном случае блок аккумулятора может выпасть из инструмента и нанести травму вам или другим людям.

**▲ВНИМАНИЕ:** Не прилагайте чрезмерных усилий при установке аккумуляторного блока. Если блок не двигается свободно, значит он вставлен неправильно.

## Система защиты инструмента/аккумулятора

На инструменте предусмотрена система защиты инструмента/аккумулятора. Она автоматически отключает питание двигателя для продления срока службы инструмента и аккумулятора. Инструмент автоматически остановится во время работы в следующих случаях:

### Защита от перегрузки

Если из-за способа эксплуатации инструмент или аккумулятор потребляет слишком большой ток, он автоматически остановится без включения каких-либо индикаторов. В этом случае выключите инструмент и прекратите работу, из-за которой произошла перегрузка инструмента. Затем включите инструмент для перезапуска.

### Защита от перегрева

При перегреве инструмента или аккумулятора инструмент автоматически останавливается, подсветка начинает мигать. В этом случае дайте инструменту/аккумулятору остыть перед повторным включением.

### Защита от переразрядки

При недостаточной емкости аккумулятора инструмент автоматически останавливается. В этом случае извлеките аккумулятор из инструмента и зарядите аккумулятор.

### Защита от других неполадок

Система защиты также обеспечивает защиту от других неполадок, способных повредить инструмент, и обеспечивает автоматическую остановку инструмента. В случае временной остановки или прекращения работы инструмента выполните все перечисленные ниже действия для устранения причины остановки.

1. Выключите и снова включите инструмент для его перезапуска.
2. Зарядите аккумулятор(ы) или замените его(их) заряженным(и).
3. Дайте инструменту и аккумулятору (аккумуляторам) остыть.

Если после возврата системы защиты в исходное состояние ситуация не изменится, обратитесь в сервисный центр Makita.

## Индикация оставшегося заряда аккумулятора

### Только для блоков аккумулятора с индикатором

Нажмите кнопку проверки на аккумуляторном блоке для проверки заряда. Индикаторы загорятся на несколько секунд.

► **Рис.2:** 1. Индикаторы 2. Кнопка проверки

Индикаторы			Уровень заряда
Горит	Выкл.	Мигает	
			от 75 до 100%
			от 50 до 75%
			от 25 до 50%
			от 0 до 25%
			Зарядите аккумуляторную батарею.
			Возможно, аккумуляторная батарея неисправна.

**ПРИМЕЧАНИЕ:** В зависимости от условий эксплуатации и температуры окружающего воздуха индикация может незначительно отличаться от фактического значения.

**ПРИМЕЧАНИЕ:** Первая (дальняя левая) индикаторная лампа будет мигать во время работы защитной системы аккумулятора.

## Выбор действия резки

Данный инструмент может управляться таким образом, чтобы производить резку по орбитальной или прямой траектории (вверх и вниз). Резка по орбитальной траектории создает осевое давление на полотно ножовочной пилы и повышает скорость резки.

► **Рис.3:** 1. Рычаг переключения резки

Для изменения режима резания поверните рычаг переключения режимов резания в положение, соответствующее нужному режиму резания. Для выбора подходящего режима резания см. таблицу.

Положение	Действие резки	Применение
0	Прямая резка	Для резки мягкой стали и пластмассы.
		Для чистовых резов в дереве и фанере.
I	Резка с небольшим радиусом	Для резки мягкой стали, алюминия и твердого дерева.
II	Резка со средним радиусом	Для резки дерева и фанеры.
		Для быстрой резки алюминия и мягкой стали.
III	Резка с большим радиусом	Для быстрой резки дерева и фанеры.

## Включение передней лампы

**ВНИМАНИЕ:** Не смотрите непосредственно на свет или источник света.

Чтобы включить лампу, нажмите кнопку блокировки/разблокировки. Чтобы выключить лампу, нажмите кнопку блокировки/разблокировки еще раз.

► **Рис.4:** 1. Лампа 2. Кнопка блокировки/разблокировки

**ПРИМЕЧАНИЕ:** При перегреве инструмента начинает мигать лампа. Перед возобновлением работы полностью остудите инструмент.

**ПРИМЕЧАНИЕ:** Для удаления пыли с линзы лампы используйте сухую ткань. Не допускайте возникновения царапин на линзе лампы, так как это приведет к снижению освещенности.

## Действие выключателя

Чтобы включить инструмент, нажмите кнопку блокировки/разблокировки. Инструмент переходит в режим ожидания. Чтобы запустить инструмент, нажмите кнопку пуска/останова инструмента в режиме ожидания. Для остановки работы инструмента снова нажмите кнопку пуска/останова. Инструмент переходит в режим ожидания. Чтобы выключить инструмент, нажмите кнопку блокировки/разблокировки в режиме ожидания.

► **Рис.5:** 1. Кнопка блокировки/разблокировки 2. Кнопка пуска/останова

**ПРИМЕЧАНИЕ:** Если инструмент находится в режиме ожидания более 10 секунд, он автоматически выключится, а лампа погаснет.

**ПРИМЕЧАНИЕ:** Вы также можете остановить и отключить инструмент, нажав кнопку блокировки/разблокировки в процессе работы.

Для уменьшения яркости лампы нажмите и удерживайте кнопку блокировки/разблокировки при переключении в режим ожидания. Примерно через 1 секунду после начала нажатия на кнопку блокировки/разблокировки яркость лампы начнет уменьшаться, и при достижении желаемой яркости отпустите кнопку блокировки/разблокировки. При этом инструмент также переключается в режим ожидания. Примерно через 3 секунды после начала нажатия на кнопку блокировки/разблокировки яркость лампы станет минимальной и прекратит меняться.

**ПРИМЕЧАНИЕ:** При нахождении инструмента в режиме ожидания яркость лампы регулироваться не может. Для регулировки яркости лампы выключите инструмент.

**ПРИМЕЧАНИЕ:** Функция запоминания яркости лампы отсутствует. Каждый раз при выключении и повторном включении лампы она будет загораться с максимальной яркостью.

## Регулятор скорости

Обороты инструмента можно регулировать поворотом регулятора скорости. Максимальной скорости соответствует положение 5, а минимальной — 1.

► **Рис.6:** 1. Регулятор скорости

См. таблицу, чтобы выбрать надлежащую скорость для обрабатываемой детали. Однако надлежащая скорость может быть разной в зависимости от типа или толщины обрабатываемой детали. Как правило, более высокие скорости позволяют резать обрабатываемые детали быстрее, но срок службы полотна ножовочной пилы при этом сокращается.

Обрабатываемая деталь	Цифра
Дерево	4 - 5
Мягкая сталь	3 - 5
Нержавеющая сталь	3 - 4
Алюминий	3 - 5
Пластмасса	1 - 4

**ПРИМЕЧАНИЕ:** Диск регулировки скорости можно поворачивать только до цифры 5 и обратно до 1. Не пытайтесь силой повернуть регулятор за пределы значений 5 или 1, так как это может привести к отказу функции регулирования частоты вращения фрезы.



## Электронная функция

Для простоты эксплуатации инструмент оснащен электронными функциями.

### Плавный запуск

Функция плавного запуска минимизирует пусковой удар и смягчает запуск инструмента.

### Контроль постоянной скорости

Электронное управление скоростью инструмента для достижения постоянной скорости. Возможность получения тонкой отделки, поскольку скорость инструмента держится на постоянном уровне даже под нагрузкой.

### Функция плавного вращения без нагрузки

В целях снижения вибрации и выравнивания полотна ножовочной пилы с линией резки без лишних усилий, при выборе положения регулятора скорости 2 или выше скорость инструмента автоматически уменьшается до тех пор, пока инструмент не начинает обработку детали. Когда инструмент начинает обработку детали, его скорость достигает заданного значения, при этом обороты инструмента поддерживаются на заданной скорости до выключения инструмента.

**ПРИМЕЧАНИЕ:** При низкой температуре эта функция может быть недоступна. Кроме того, в зависимости от материала, полотна ножовочной пилы и скорости инструмента данная функция может быть недоступна.

### Выключение или включение функции плавного вращения без нагрузки

Для выключения или включения функции плавного вращения без нагрузки выполните указанные ниже действия.

1. Убедитесь, что инструмент выключен.
2. Установите регулятор скорости в положение "1".
3. Нажмите кнопку блокировки/разблокировки для выключения инструмента.
4. Установите регулятор скорости в положение "5", повернув его, а затем установите его в положение "1", повернув обратно.

Лампа мигает дважды, показывая, что функция плавного вращения без нагрузки отключена. Для повторного включения данной функции выполните ту же процедуру еще раз.

**ПРИМЕЧАНИЕ:** Если функция плавного вращения без нагрузки отключена, то лампа мигает дважды при включении инструмента.

**ПРИМЕЧАНИЕ:** Вы также можете выключить или включить функцию плавного вращения без нагрузки, изменив положение диска регулировки скорости с "5" на "1" или с "1" на "5".

## Электрический тормоз

Данный инструмент оснащен электрическим тормозом. Если после нажатия кнопки пуска/останова или кнопки блокировки/разблокировки не происходит быстрой остановки инструмента, отправьте инструмент в сервисный центр Makita для обслуживания.

## СБОРКА

**ВНИМАНИЕ:** Перед проведением каких-либо работ с инструментом обязательно убедитесь, что инструмент отключен, а блок аккумулятора снят.

### Установка или снятие полотна ножовочной пилы

**ВНИМАНИЕ:** Обязательно удалите все опилки или инородные частицы, прилипшие к полотну ножовочной пилы и/или держателю полотна. Несоблюдение данного требования может привести к недостаточной затяжке полотна ножовочной пилы и серьезной травме.

**ВНИМАНИЕ:** Не прикасайтесь к полотну ножовочной пилы или детали сразу после окончания работы. Они могут быть очень горячими и причинить ожог.

**ВНИМАНИЕ:** Всегда прочно закрепляйте полотно ножовочной пилы. Недостаточная затяжка полотна ножовочной пилы может привести к его поломке или серьезной травме.

**ВНИМАНИЕ:** Используйте только полотно ножовочных пил типа В. Использование полотна, отличных от типа В, приводит к недостаточной затяжке полотна ножовочной пилы, что грозит получением серьезной травмы.

**ВНИМАНИЕ:** При снятии полотна ножовочной пилы соблюдайте осторожность, чтобы не повредить пальцы верхней частью полотна ножовочной пилы или кромками детали.

Перед установкой полотна ножовочной пилы убедитесь, что рычаг зажима полотна находится в разомкнутом положении.

Для установки полотна ножовочной пилы вставьте его в держатель полотна (зубьями вперед). Рычаг зажима полотна переместится в положение фиксации, и полотно ножовочной пилы будет зафиксировано. Убедитесь, что тыльная сторона полотна ножовочной пилы вошла в ролик. Слегка потяните за полотно ножовочной пилы с целью убедиться в том, что оно не выпадет во время работы.

► **Рис.7:** 1. Держатель полотна ножовочной пилы 2. Рычаг зажима полотна (в разомкнутом положении) 3. Рычаг зажима полотна (в зафиксированном положении)

► **Рис.8:** 1. Держатель полотна ножовочной пилы 2. Полотно ножовочной пилы 3. Ролик

**▲ВНИМАНИЕ:** Если рычаг зажима полотна не перемещается в положение фиксации, это означает, что полотно ножовочной пилы вставлено не полностью. Не прижимайте рычаг зажима полотна вручную в положение фиксации. Это может привести к повреждению инструмента.

Для снятия полотна ножовочной пилы надавите на рычаг зажима полотна вперед до упора. Это позволяет освободить полотно ножовочной пилы.

► **Рис.9:** 1. Держатель полотна ножовочной пилы 2. Рычаг зажима полотна 3. Полотно ножовочной пилы

**ПРИМЕЧАНИЕ:** В случае затруднений при извлечении полотна ножовочной пилы поверните рычаг переключения режимов резания в положение "III" и переместите держатель полотна ножовочной пилы в нижнюю точку. Для перемещения держателя полотна ножовочной пилы в нижнюю точку верните зажим полотна один раз до упора в зафиксированное положение и несколько раз ненадолго включите инструмент.

**ПРИМЕЧАНИЕ:** Иногда смазывайте ролик.

## Хранение шестигранного ключа

Когда шестигранный ключ не используется, храните его, как показано на рисунке, чтобы не потерять.

► **Рис.10:** 1. Шестигранный ключ

## ЭКСПЛУАТАЦИЯ

**▲ВНИМАНИЕ:** Обязательно держите основание на одном уровне с деталью. Несоблюдение данного требования может привести к поломке полотна ножовочной пилы и серьезной травме.

**▲ВНИМАНИЕ:** Продвигайте инструмент очень медленно при резке по кривой или при перемещении по вертикали. Если к инструменту приложить усилие, это может привести к появлению искошенной поверхности и повреждению полотна ножовочной пилы.

Включите инструмент таким образом, чтобы полотно ножовочной пилы не соприкасалось ни с чем, и дождитесь момента, когда оно наберет максимальную скорость. Затем ровно расположите основание на обрабатываемой детали и плавно переместите инструмент вперед вдоль предварительно намеченной линии разреза.

► **Рис.11:** 1. Линия разреза 2. Основание

## Резка под скосом

**▲ВНИМАНИЕ:** Прежде чем наклонить основание, убедитесь, что инструмент отключен, а блок аккумулятора извлечен.

При наклоненном основании вы можете выполнять резку со скосом под любым углом в диапазоне от 0° до 45° (влево или вправо).

► **Рис.12**

Ослабьте болт в задней части основания шестигранным ключом. Сдвиньте основание так, чтобы болт располагался в центре крестообразного разреза в основании.

► **Рис.13:** 1. Шестигранный ключ 2. Болт 3. Основание

Наклоните основание так, чтобы получить требуемый угол скоса. Край корпуса двигателя указывает угол скоса в градуировке. Затем затяните болт для закрепления основания.

► **Рис.14:** 1. Край 2. Градуировка

## Прямые разрезы заподлицо

Ослабьте болт внизу основания с помощью шестигранного ключа и сдвиньте основание назад до упора. Затем затяните болт для фиксации основания.

► **Рис.15:** 1. Шестигранный ключ 2. Болт 3. Основание

## Вырезы

Вырезы могут производиться любым из двух способов: "сверление начального отверстия" или "врезание".

### Сверление начального отверстия

Для внутренних вырезов без начального врезания с края, высверлите предварительно отверстие диаметром 12 мм или более. Вставьте полотно ножовочной пилы в это отверстие для начала резки.

► **Рис.16**

### Врезание

Вам не нужно будет сверлить начальное отверстие или делать врезку, если вы аккуратно сделаете следующее.

1. Коснитесь переднего края основания обрабатываемой детали и наклоните инструмент так, чтобы указатель полотна ножовочной пилы был расположен прямо над поверхностью обрабатываемой детали.

2. Надавите на инструмент, чтобы передний край основания не сдвинулся, когда вы включите инструмент, и медленно опустите заднюю часть.

3. По мере врезания полотна ножовочной пилы в обрабатываемую деталь, опускайте основание инструмента на поверхность обрабатываемой детали.

4. Завершите вырез обычным образом.

► **Рис.17**

## Обработка краев

Для обработки краев или размерной регулировки, слегка проведите полотном ножовочной пилы по вырезанным краям.

► Рис.18

## Резка металла

При резке металла всегда пользуйтесь подходящей охлаждающей жидкостью (масло для резки). Несоблюдение данного требования приведет к значительному износу полотна ножовочной пилы. Вместо использования охлаждающего вещества можно смазать обратную поверхность обрабатываемой детали.

## Удаление пыли

### Установка или снятие пылезащитных кожухов

Установите пылезащитный кожух, как показано на рисунке.

► Рис.19: 1. Пылезащитный кожух

Для снятия пылезащитного кожуха нажмите на кожух с одной стороны, затем снимите его, как показано на рисунке.

► Рис.20: 1. Пылезащитный кожух

### Установка или снятие пылесборного патрубка

Данный инструмент может подсоединяться к пылесосу Makita путем прикрепления пылесборного патрубка. Вставьте пылесборный патрубок до конца в инструмент.

► Рис.21: 1. Пылесборный патрубок

Для снятия пылесборного патрубка вытяните его, нажав на расположенную на нем кнопку.

► Рис.22: 1. Кнопка 2. Пылесборный патрубок

### Подключение инструмента к пылесосу

Подключите шланг пылесоса к пылесборному патрубку.

► Рис.23

## Направляющая планка

#### Дополнительные принадлежности

**ВНИМАНИЕ:** Перед установкой или снятием дополнительных принадлежностей выключите инструмент и извлеките блок аккумулятора.

### Прямые разрезы

При многократной резке в глубину до 160 мм или менее, использование направляющей планки позволит добиться быстрых, чистых, прямых разрезов.

► Рис.24: 1. Направляющая планка (направляющая линейка)

Для установки вставьте стержневую часть в квадратное отверстие основания таким образом, чтобы планочная часть была обращена вниз. Сдвиньте направляющую планку до нужной позиции ширины резки, а затем затяните болт для ее фиксации.

► Рис.25: 1. Шестигранный ключ 2. Болт 3. Направляющая планка (направляющая линейка)

### Круговые вырезы

При резке кругов или дуг радиусом в 170 мм или менее, установите направляющую планку следующим образом.

► Рис.26: 1. Направляющая планка (направляющая линейка)

**ВНИМАНИЕ:** Не прикасайтесь к концу штифта круговой направляющей. Острый конец штифта круговой направляющей может причинить травму.

1. Вставьте стержневую часть в квадратное отверстие основания таким образом, чтобы планочная часть была обращена вверх.

2. Вставьте штифт круговой направляющей через любое из двух отверстий в планочной части. Навинтите поворотную рукоятку с внутренним резьбовым отверстием на штифт круговой направляющей для фиксации последнего.

► Рис.27: 1. Резьбовая рукоятка 2. Направляющая планка (направляющая линейка) 3. Штифт круговой направляющей 4. Болт 5. Шестигранный ключ

3. Сдвиньте направляющую планку до нужного радиуса резки и затяните болт для ее фиксации на этом месте.

**ПРИМЕЧАНИЕ:** При вырезке кругов или дуг всегда пользуйтесь полотнами ножовочной пилы № В-17, В-18, В-26 или В-27.

## Устройство против раскалывания

#### Дополнительные принадлежности

**ВНИМАНИЕ:** При осуществлении резки со скосом устройство против раскалывания использовать нельзя.

Для предотвращения раскалывания в процессе резки можно использовать устройство против раскалывания. Чтобы установить устройство против раскалывания, полностью подвиньте основание вперед и вставьте устройство в заднюю часть основания инструмента.

Если вы используете крышку, установите устройство против раскалывания на крышку.

► Рис.28: 1. Основание 2. Устройство против раскалывания

## Крышка

При резке строганого шпона, пластмасс и пр. используйте крышку. Она защищает чувствительные или критичные поверхности от повреждения. Ее следует прикреплять к нижней поверхности основания инструмента.

► **Рис.29:** 1. Крышка 2. Основание

## Комплект адаптера для шины цепной пилы

### Дополнительные принадлежности

При параллельной резке, резке деталей одной ширины и резке по прямой использование адаптера для шины цепной пилы обеспечит получение быстрых, чистых разрезов. Для установки адаптера для шины цепной пилы вставьте линейку в квадратное отверстие основания до упора. Крепко закрутите болт шестигранным ключом.

► **Рис.30:** 1. Шестигранный ключ 2. Линейка 3. Болт

Вставьте линейку в квадратное отверстие адаптера для шины цепной пилы и плотно затяните болт. Установите адаптер для шины цепной пилы на шину цепной пилы.

► **Рис.31:** 1. Адаптер для шины цепной пилы 2. Направляющий рельс 3. Винт

**ПРИМЕЧАНИЕ:** При использовании шины цепной пилы и адаптера для шины цепной пилы обязательно используйте полотно ножовочных пил № В-8, В-13, В-16, В-17 или 58.

## ОБСЛУЖИВАНИЕ

**ВНИМАНИЕ:** Перед проведением проверки или работ по техобслуживанию всегда проверяйте, что инструмент выключен, а блок аккумуляторов снят.

**ПРИМЕЧАНИЕ:** Запрещается использовать бензин, растворители, спирт и другие подобные жидкости. Это может привести к обесцвечиванию, деформации и трещинам.

Для обеспечения БЕЗОПАСНОСТИ и НАДЕЖНОСТИ оборудования ремонт, любое другое техобслуживание или регулировку необходимо производить в уполномоченных сервис-центрах Makita или сервис-центрах предприятия с использованием только сменных частей производства Makita.

## ДОПОЛНИТЕЛЬНЫЕ ПРИНАДЛЕЖНОСТИ

**ВНИМАНИЕ:** Данные принадлежности или приспособления рекомендуются для использования с инструментом Makita, указанным в настоящем руководстве. Использование других принадлежностей или приспособлений может привести к получению травмы. Используйте принадлежность или приспособление только по указанному назначению.

Если вам необходимо содействие в получении дополнительной информации по этим принадлежностям, свяжитесь с вашим сервис-центром Makita.

- Полотно ножовочных пил
- Комплект направляющей планки (направляющей линейки)
- Комплект адаптера для шины цепной пилы
- Устройство против раскалывания
- Крышка
- Пылесборный патрубков
- Пылезащитный кожух
- Оригинальный аккумулятор и зарядное устройство Makita

**ПРИМЕЧАНИЕ:** Некоторые элементы списка могут входить в комплект инструмента в качестве стандартных приспособлений. Они могут отличаться в зависимости от страны.

**Makita Europe N.V.** Jan-Baptist Vinkstraat 2,  
3070 Kortenberg, Belgium

**Makita Corporation** 3-11-8, Sumiyoshi-cho,  
Anjo, Aichi 446-8502 Japan

[www.makita.com](http://www.makita.com)

885A23-988  
EN, SV, NO, FI, DA,  
LV, LT, ET, RU  
20221109