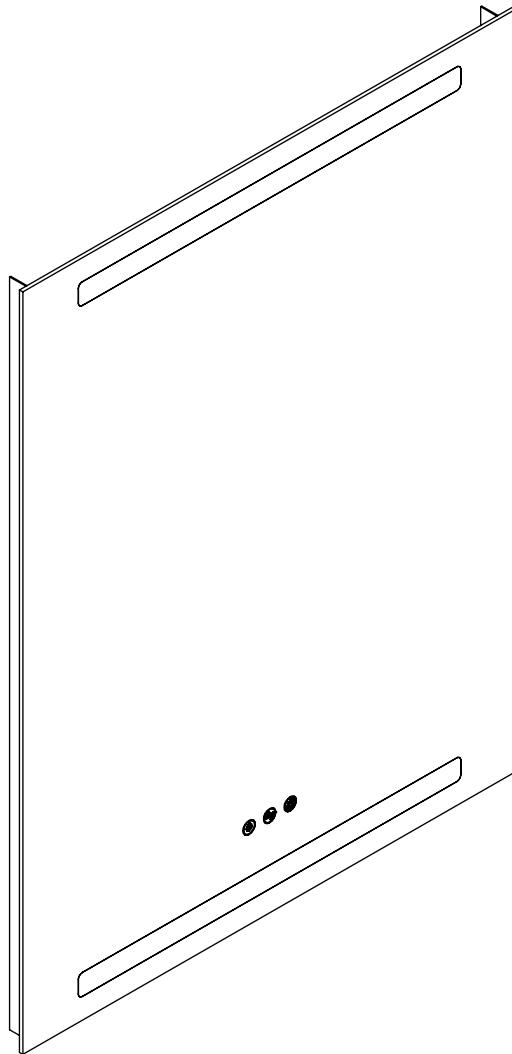





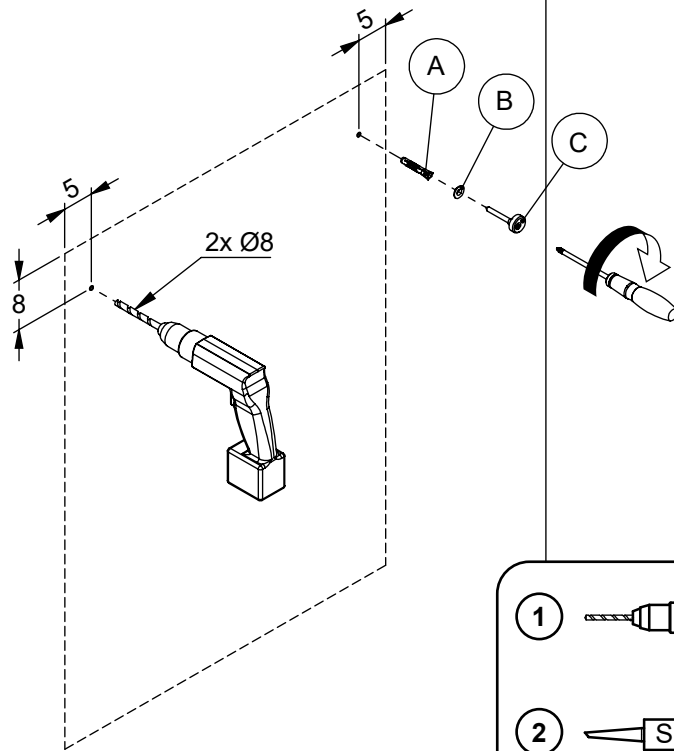


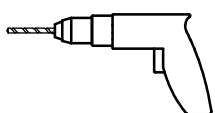
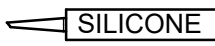
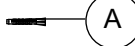
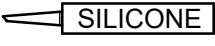
DANSANI
DANISH BATHROOM DESIGN



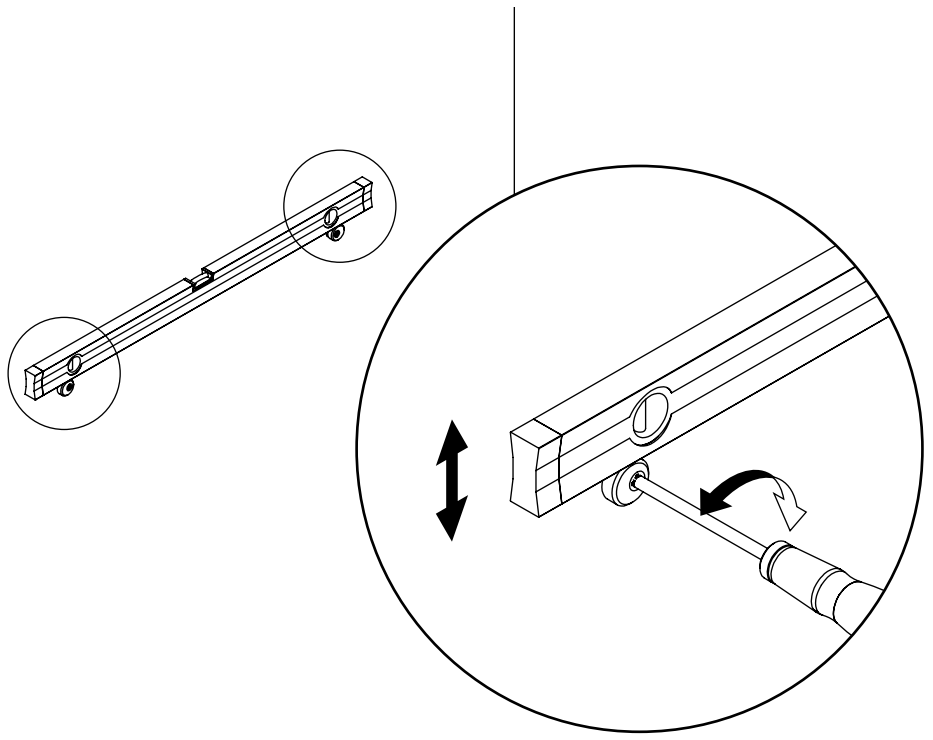
1

		
2x 5-501	2x 544700100	2x 29351004

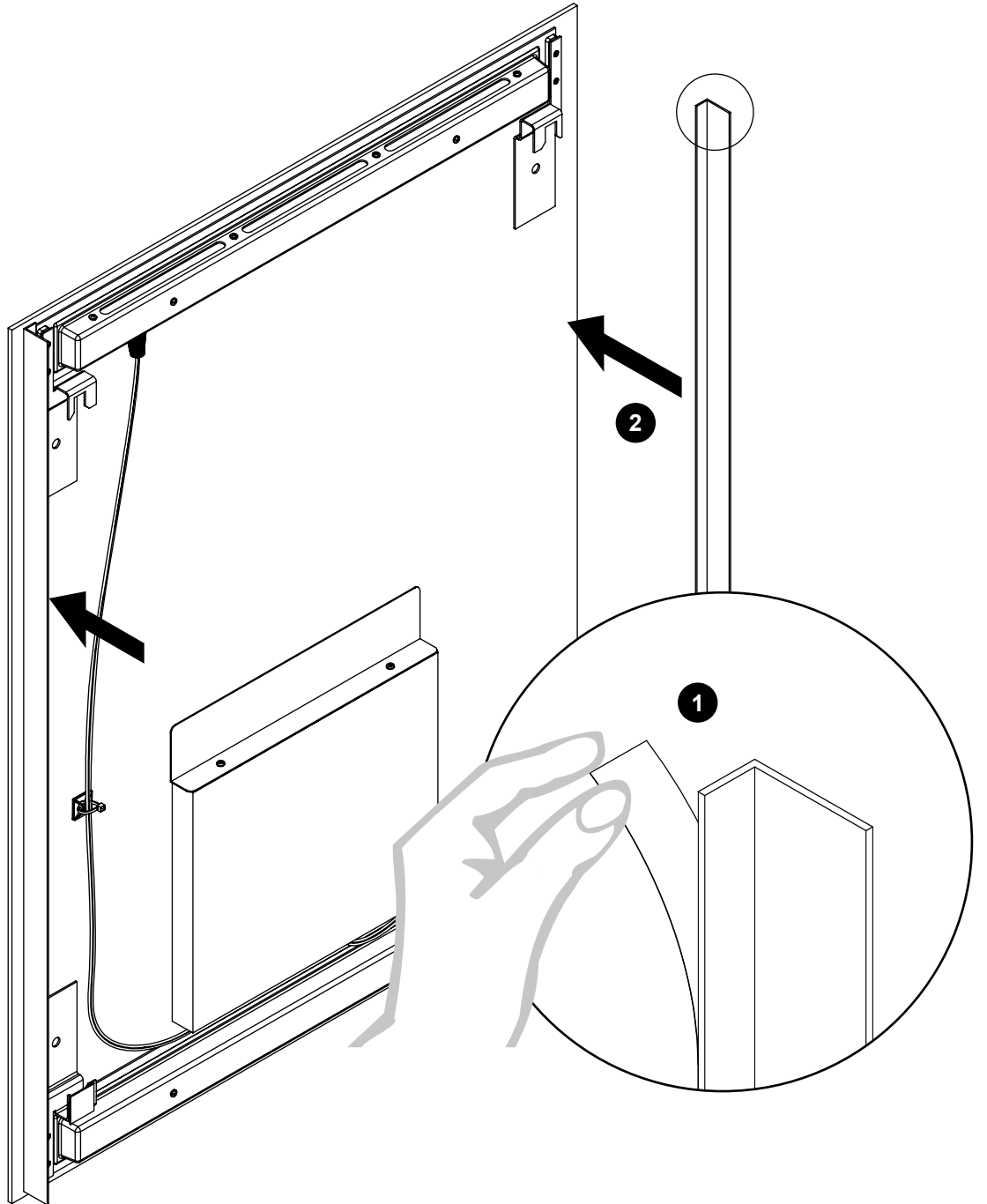


1	
2	 SILICONE
3	 A
4	 SILICONE

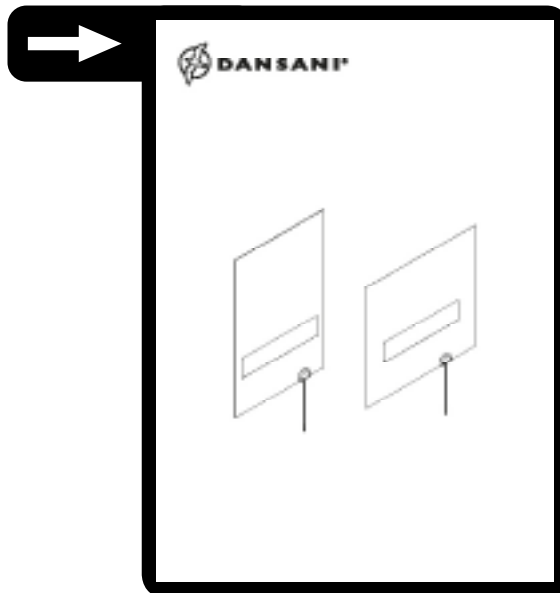
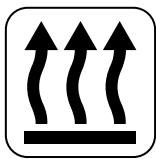
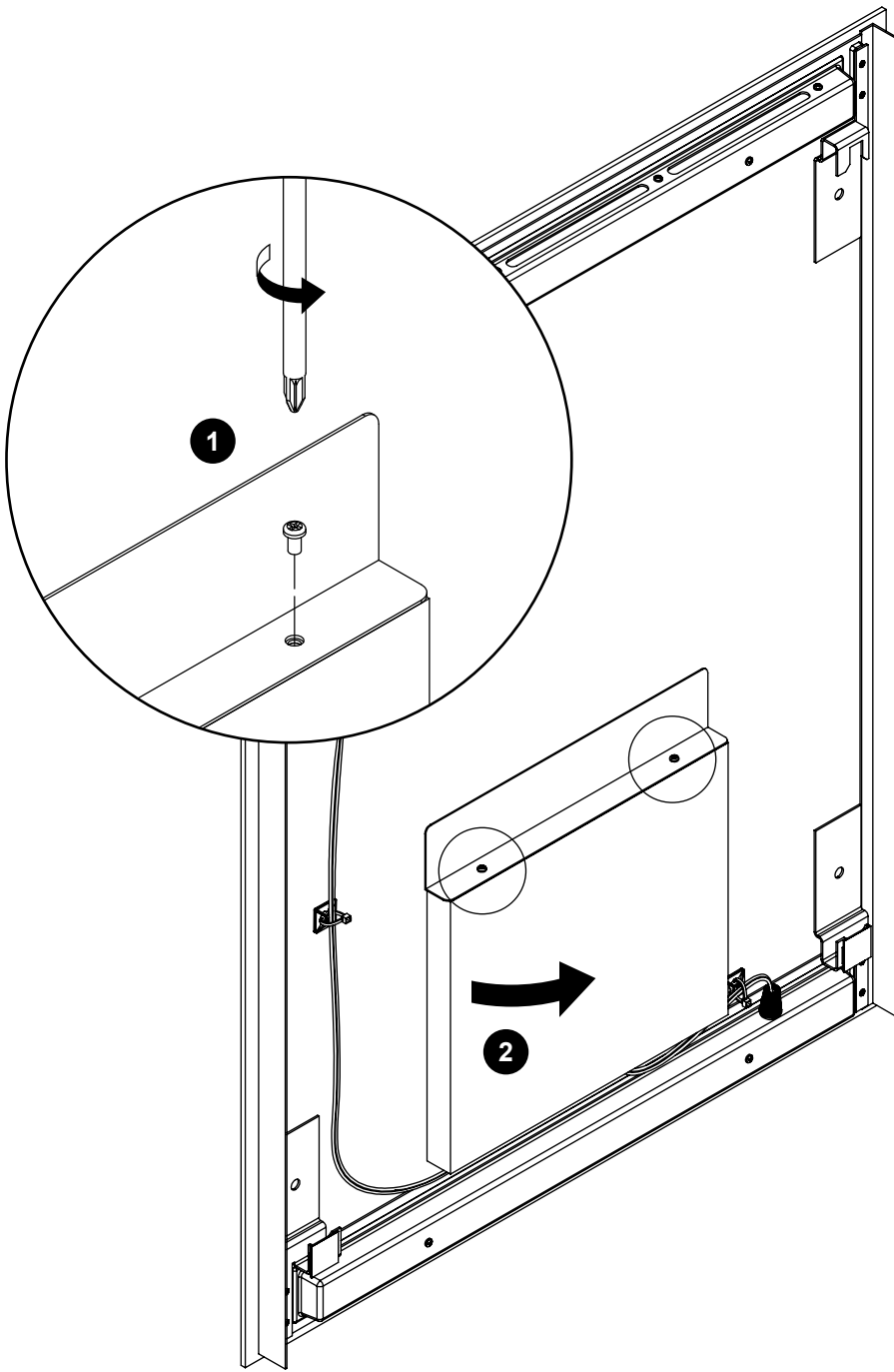
2



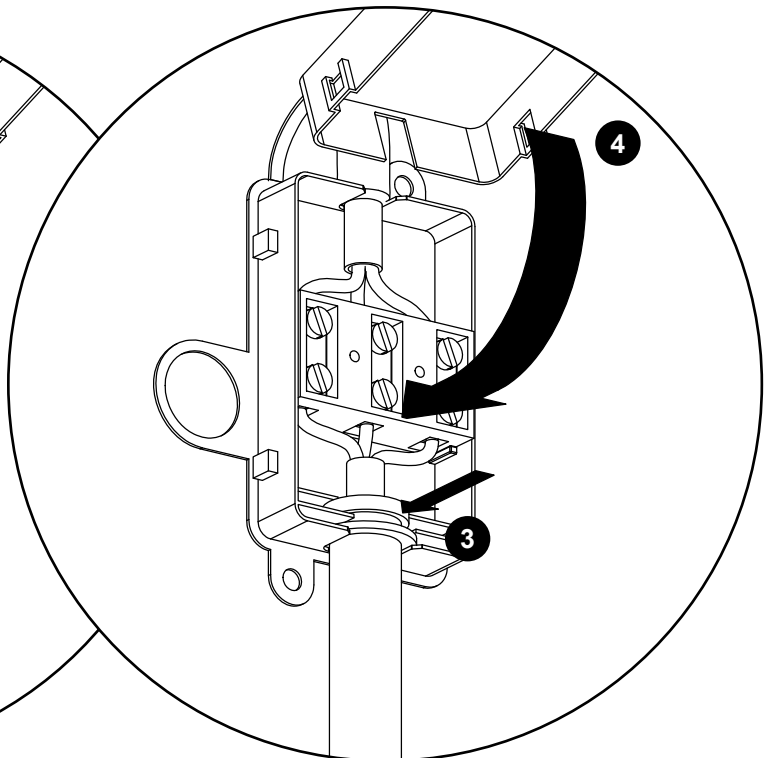
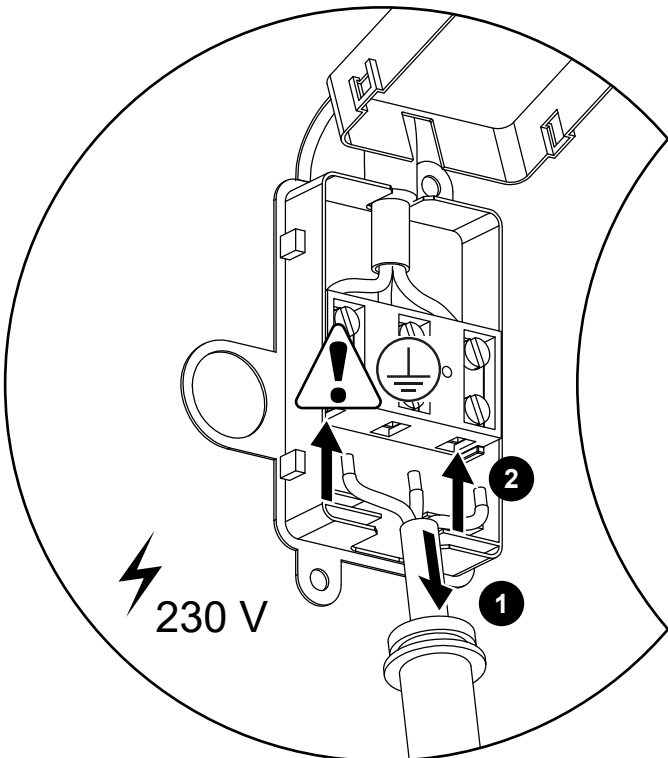
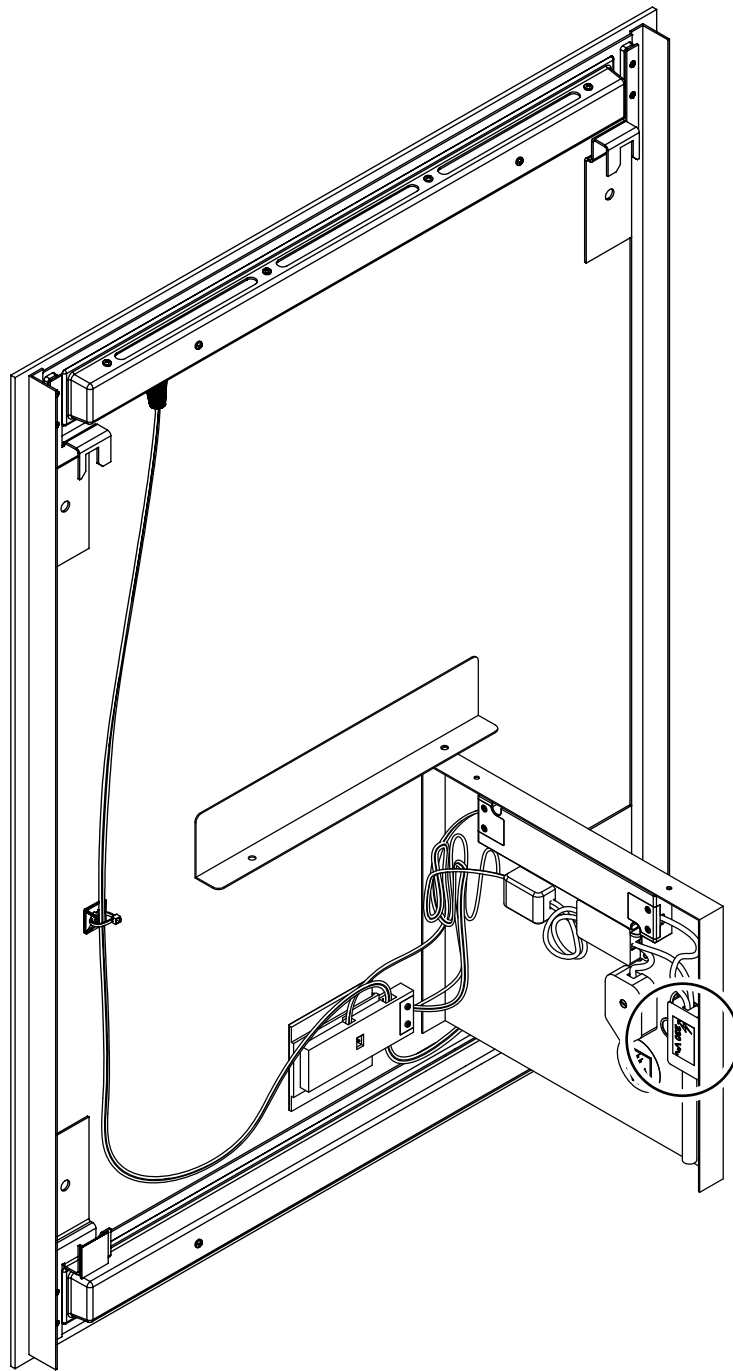
3



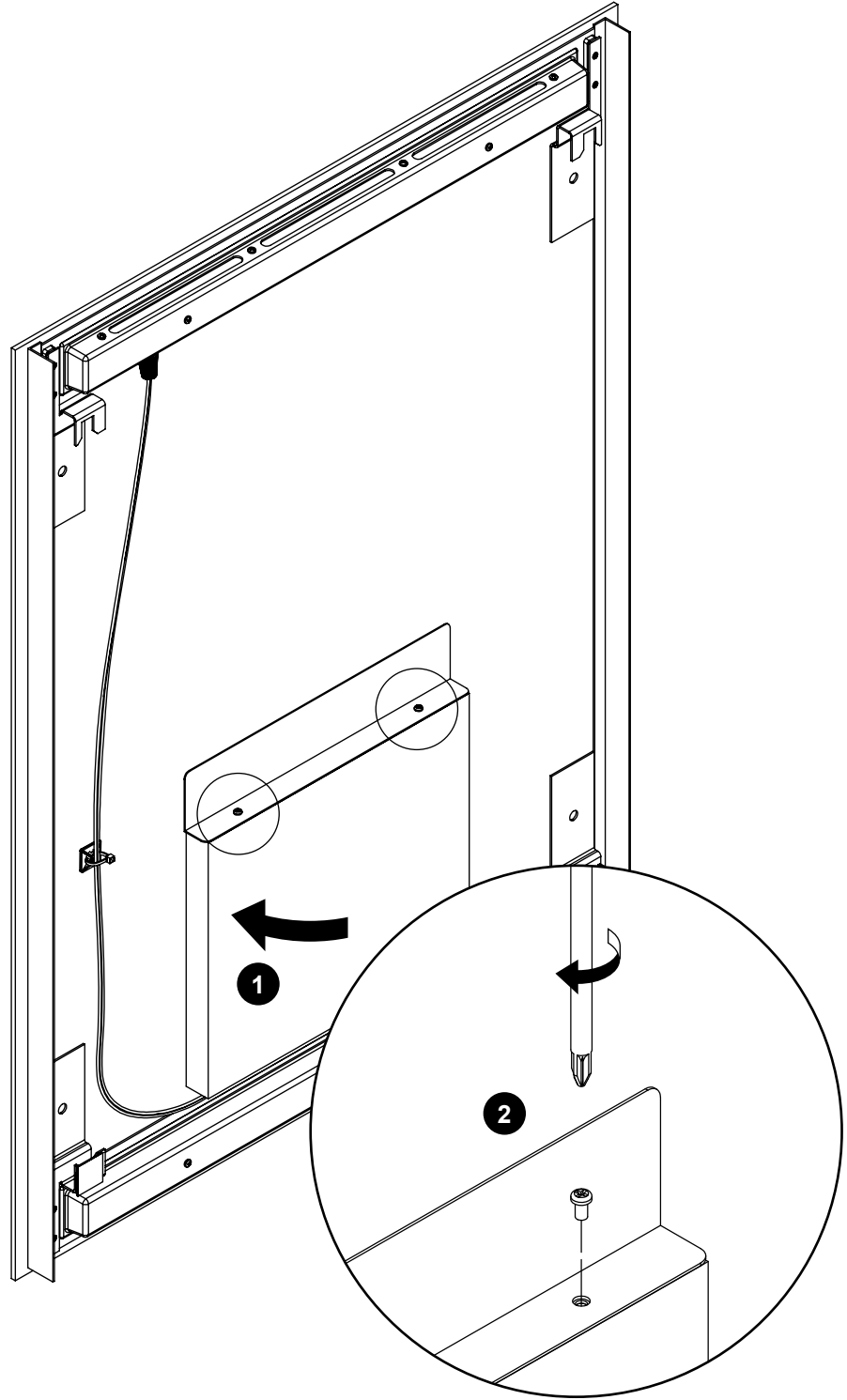
4



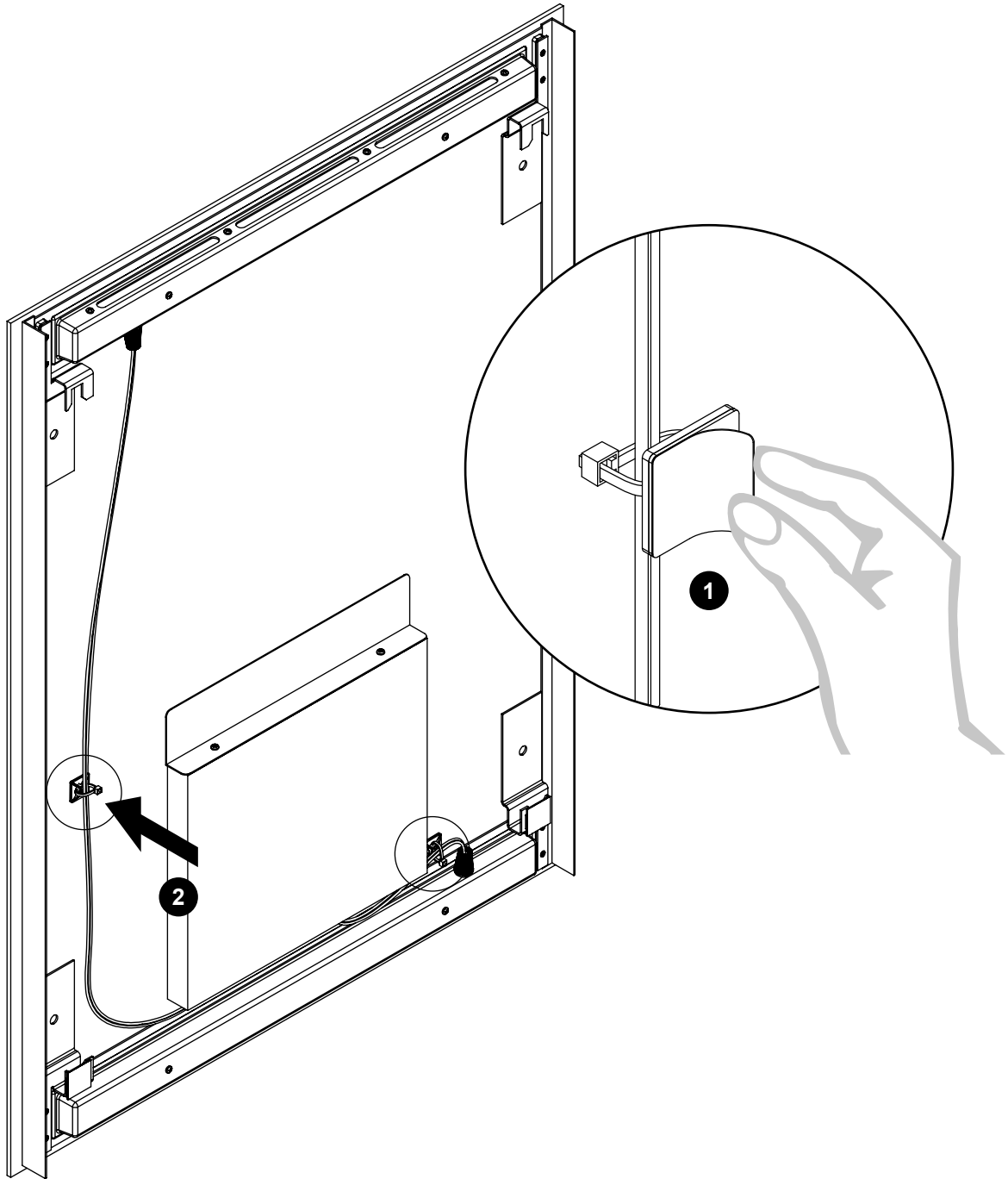
5



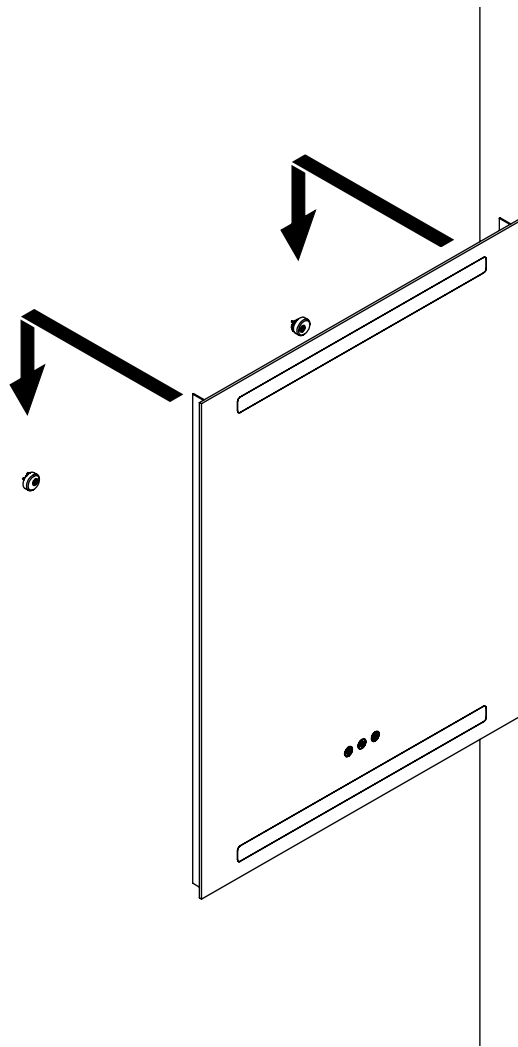
6



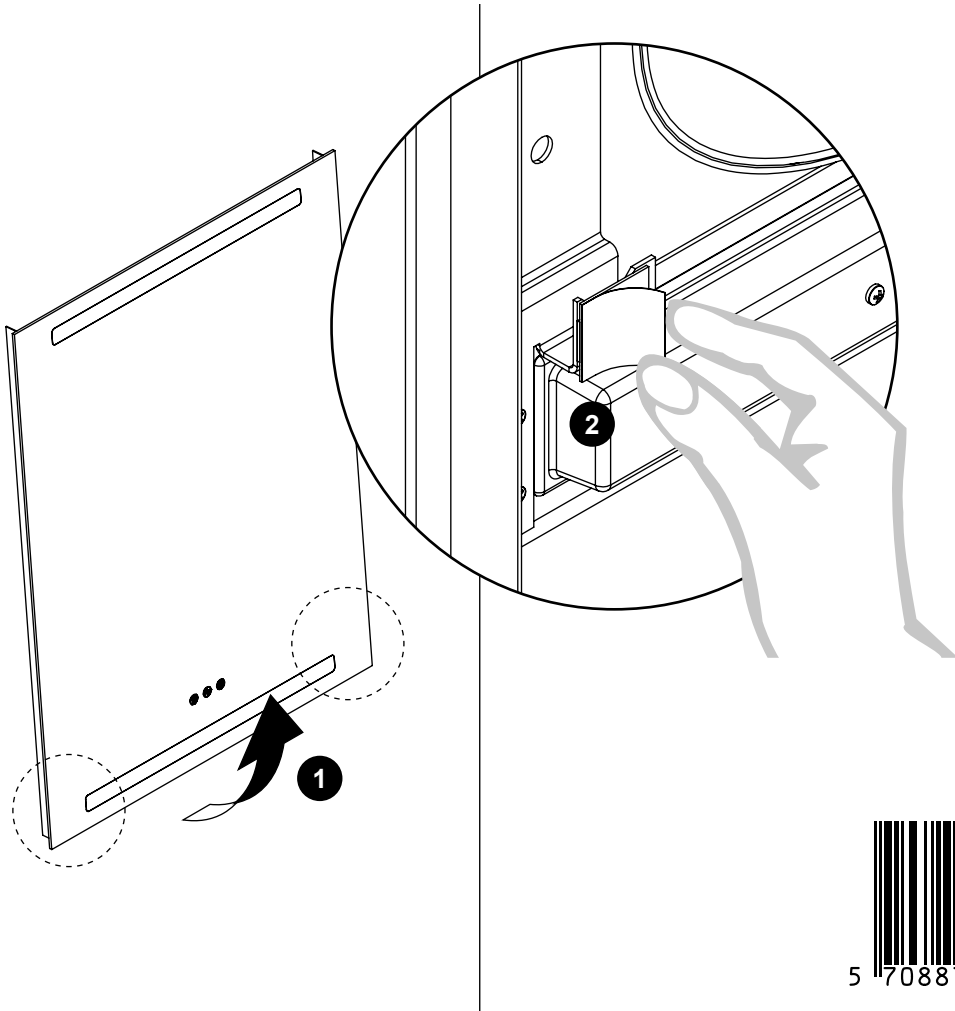
7



8



9



Dansani A/S
Finlandsvej 8
DK-6100 Haderslev
Tel.: +45 73 22 29 00
Mail: mail@dansani.dk

www.dansani.com www.scanbad.com



5 708877 106119

No. 1365 241212 Rev. 01