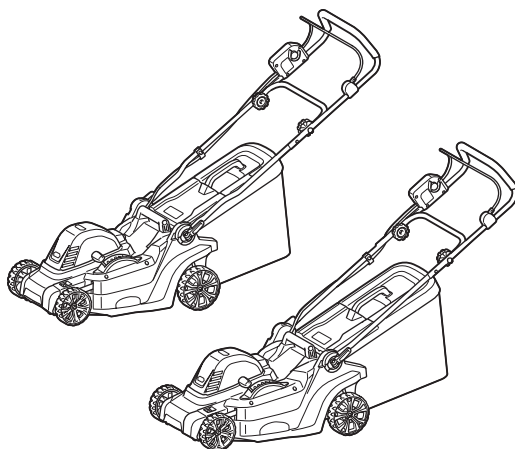




<b>EN</b>	Cordless Lawn Mower	<b>INSTRUCTION MANUAL</b>	<b>7</b>
<b>SV</b>	Batteridrivnen gräsklippare	<b>BRUKSANVISNING</b>	<b>18</b>
<b>NO</b>	Batteridrevet gressklipper	<b>BRUKSANVISNING</b>	<b>29</b>
<b>FI</b>	Akkukäyttöinen ruohonleikkuri	<b>KÄYTTÖOHJE</b>	<b>40</b>
<b>DA</b>	Akku-plæneklipper	<b>BRUGSANVISNING</b>	<b>51</b>
<b>LV</b>	Bezvada zāles pļaujmašīna	<b>LIETOŠANAS INSTRUKCIJA</b>	<b>63</b>
<b>LT</b>	Belaidė vejapjovė	<b>NAUDOJIMO INSTRUKCIJA</b>	<b>75</b>
<b>ET</b>	Akutoitega elektriline muruniiduk	<b>KASUTUSJUHEND</b>	<b>87</b>
<b>RU</b>	Акумуляторная Газонокосилка	<b>РУКОВОДСТВО ПО ЭКСПЛУАТАЦИИ</b>	<b>98</b>

**LM003G**  
**LM004G**



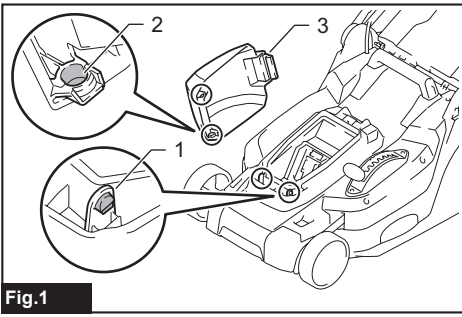


Fig.1

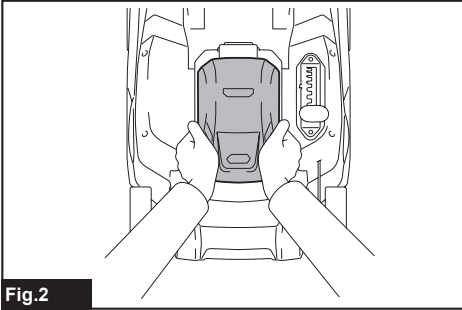


Fig.2

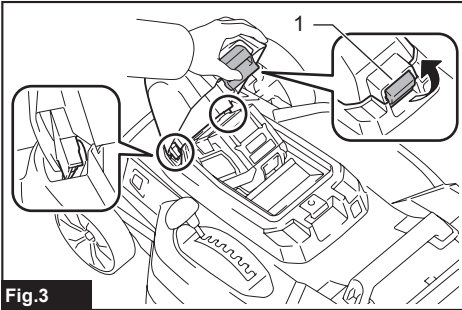


Fig.3

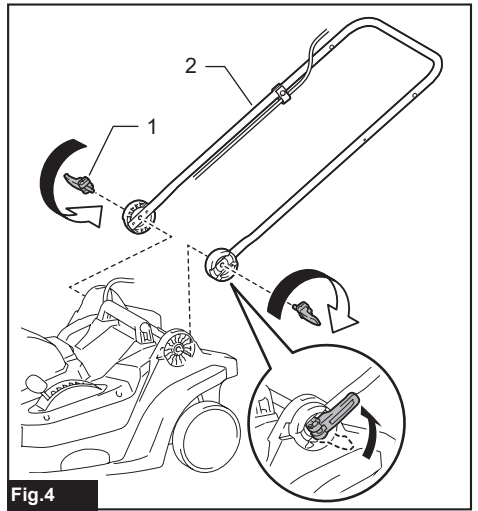


Fig.4

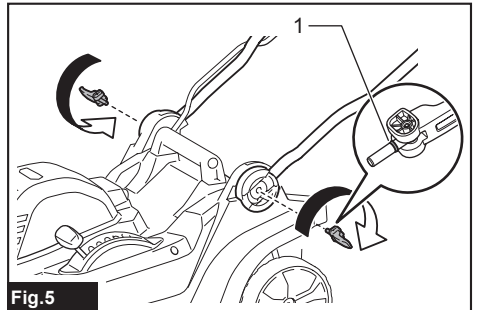


Fig.5

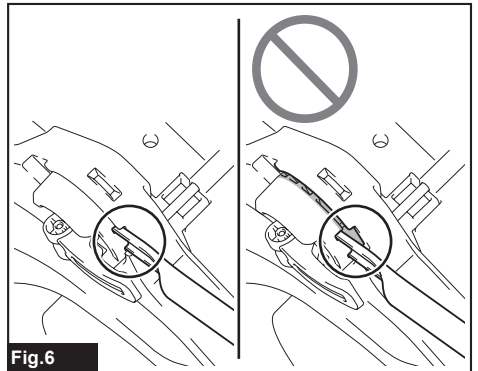


Fig.6

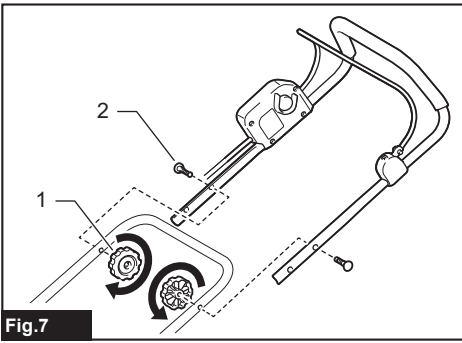


Fig.7

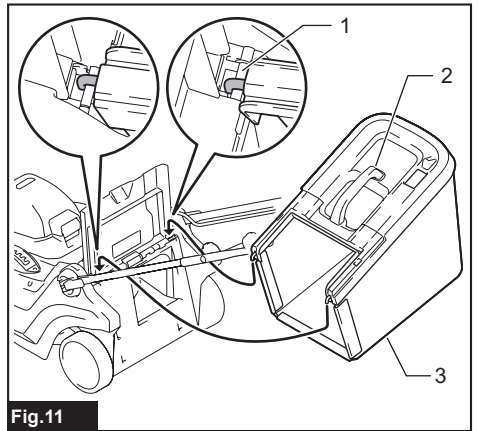


Fig.11

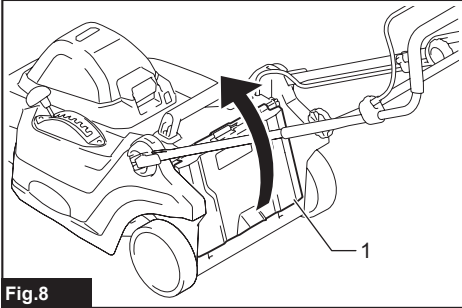


Fig.8

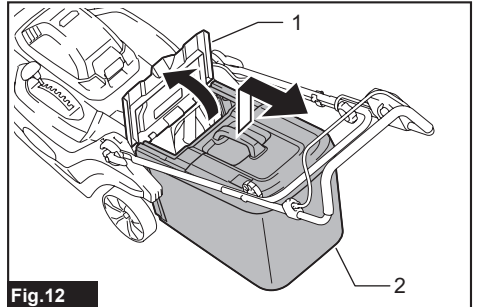


Fig.12

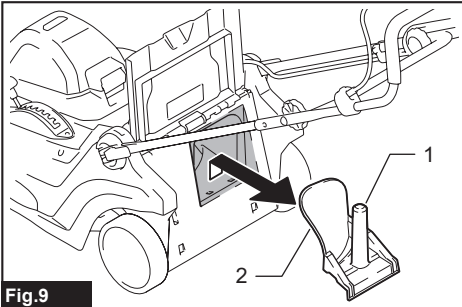


Fig.9

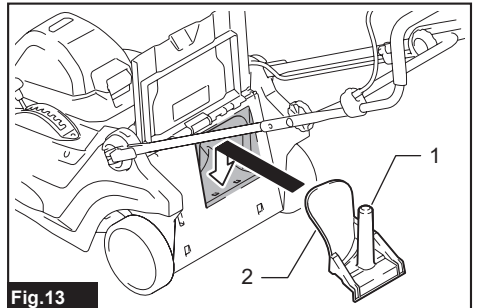


Fig.13

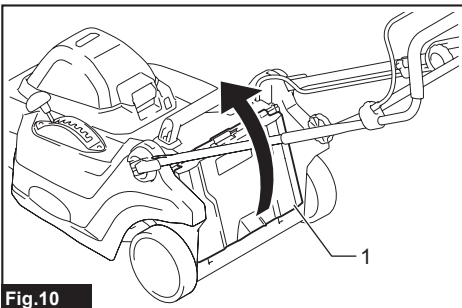


Fig.10

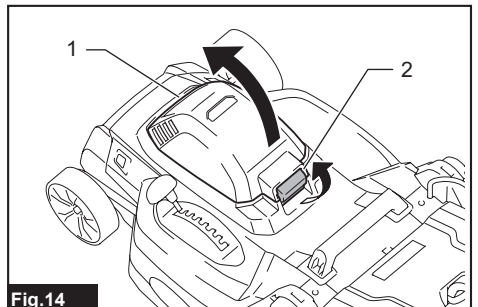
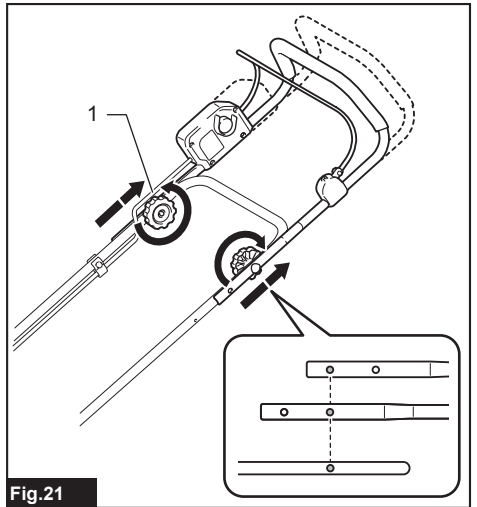
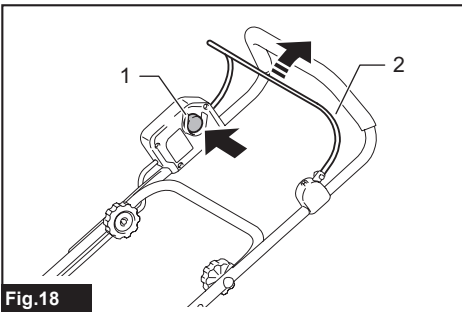
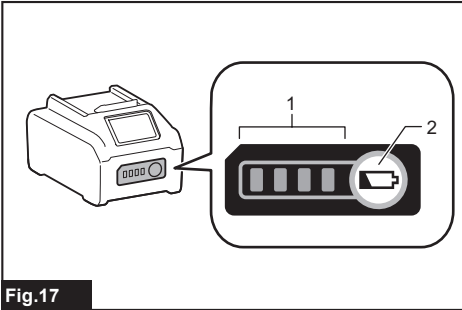
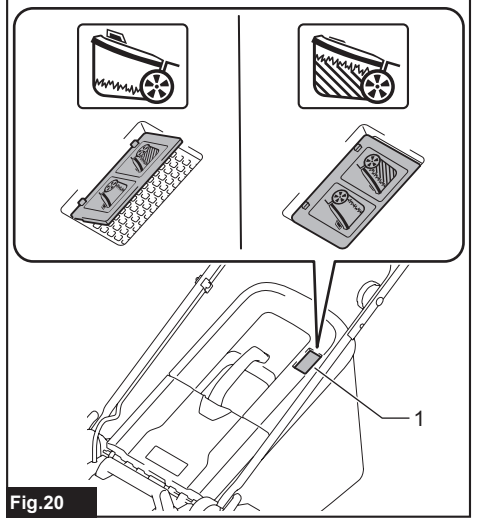
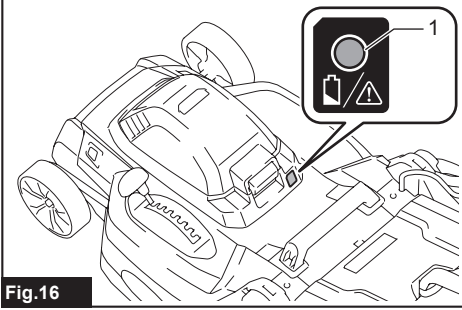
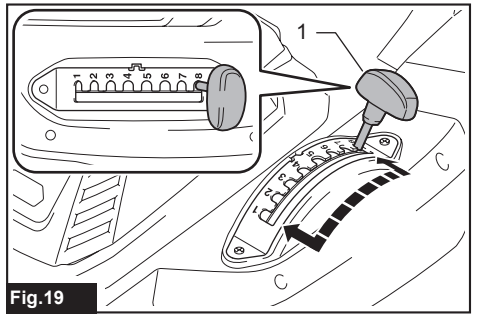
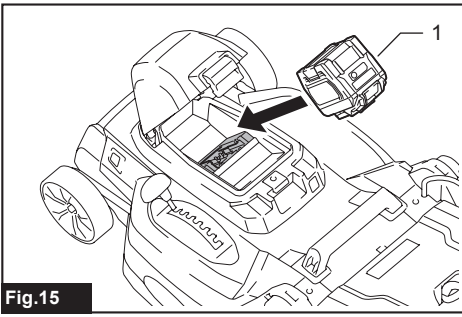


Fig.14





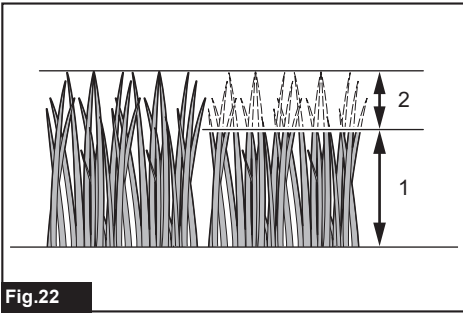


Fig.22

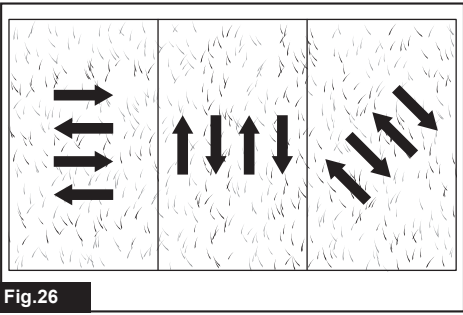


Fig.26



Fig.23

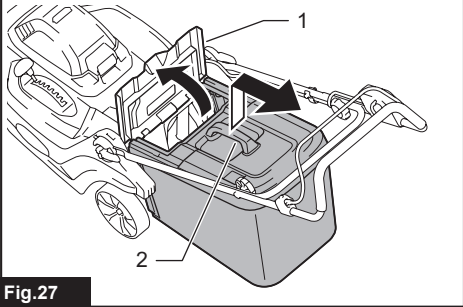


Fig.27

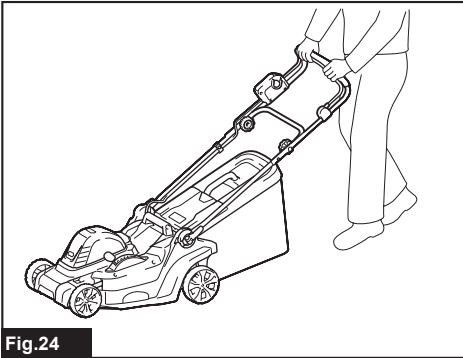


Fig.24

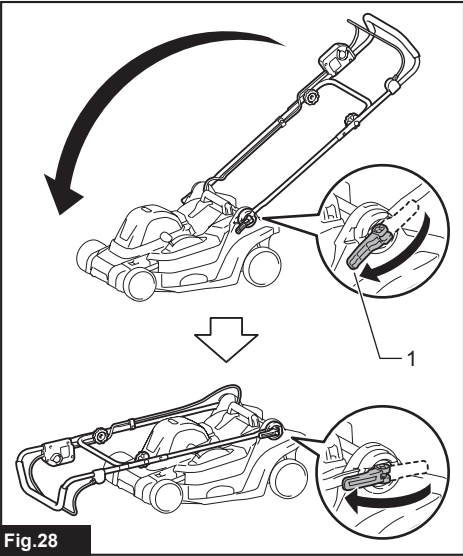


Fig.28

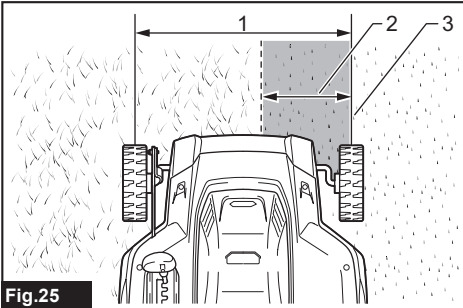


Fig.25

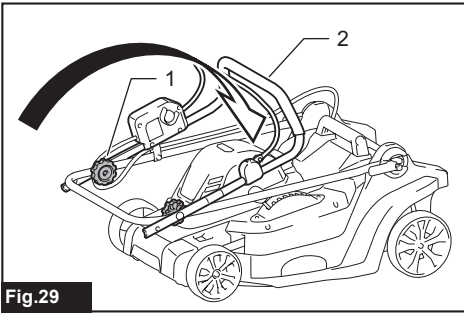


Fig.29

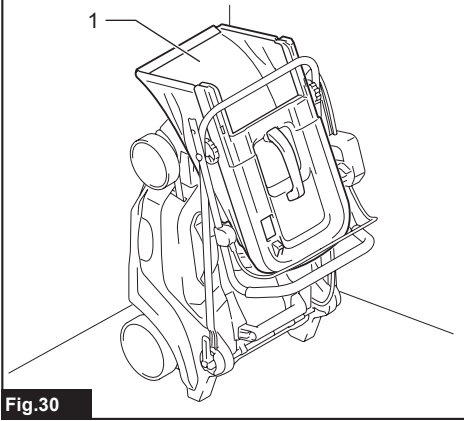


Fig.30

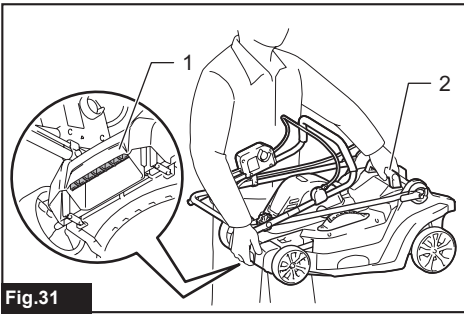


Fig.31

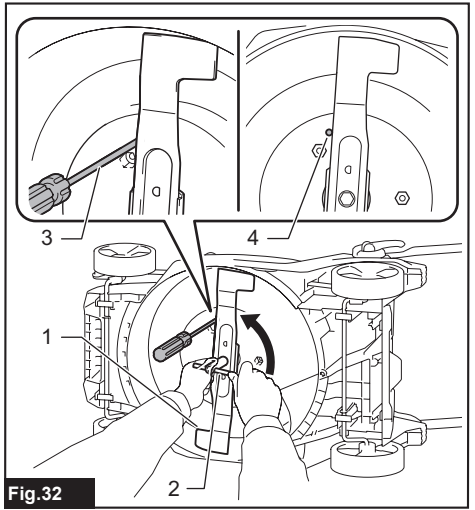


Fig.32

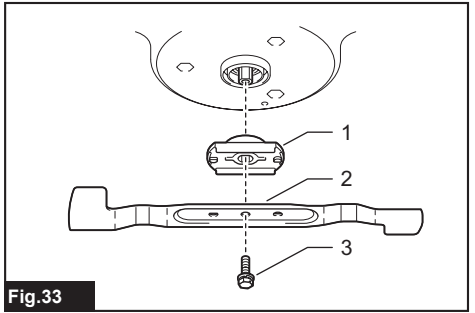


Fig.33

# SPECIFICATIONS

Model:		LM003G	LM004G
Mowing width (blade diameter)		380 mm	430 mm
No load speed		3,800 min <sup>-1</sup>	
Part number of replacement mower blade	Straight mower blade	1913G8-3	1913H4-8
	Mulching blade	1913H0-6	1913H6-4
Dimensions (L x W x H)	during operation	L: 1,370 mm to 1,420 mm W: 450 mm H: 990 mm to 1,020 mm	L: 1,390 mm to 1,440 mm W: 460 mm H: 990 mm to 1,020 mm
	when stored (without grass basket)	520 mm x 450 mm x 880 mm	520 mm x 460 mm x 885 mm
Rated voltage		D.C. 36 V - 40 V max	
Net weight		14.9 - 17.3 kg	15.6 - 18.2 kg
Protection degree		IPX4	

- Due to our continuing program of research and development, the specifications herein are subject to change without notice.
- Specifications may differ from country to country.
- The weight may differ depending on the attachment(s), including the battery cartridge. The lightest and heaviest combinations, according to EPTA-Procedure 01/2014, are shown in the table.

## Applicable battery cartridge and charger

Battery cartridge	BL4020* / BL4025* / BL4040* / BL4050F* / BL4080F* *: Recommended battery
Charger	DC40RA / DC40RB / DC40RC







- Some of the battery cartridges and chargers listed above may not be available depending on your region of residence.

**⚠ WARNING: Only use the battery cartridges and chargers listed above.** Use of any other battery cartridges and chargers may cause injury and/or fire.

**⚠ WARNING: Do not use a corded power supply such as battery adapter or portable power pack with this machine.** The cable of such power supply may hinder the operation and result in personal injury.

## Symbols

The followings show the symbols which may be used for the equipment. Be sure that you understand their meaning before use.

	Take particular care and attention.
	Read instruction manual.
	Danger; be aware of thrown objects.
	The distance between the machine and bystanders must be at least 15 m.
	Never put your hands and feet near the mower blade under the mower. Mower blades continue to rotate after the motor is switched off.
	Warning; Disconnect battery before maintenance.



Only for EU countries  
Due to the presence of hazardous components in the equipment, waste electrical and electronic equipment, accumulators and batteries may have a negative impact on the environment and human health. Do not dispose of electrical and electronic appliances or batteries with household waste!  
In accordance with the European Directive on waste electrical and electronic equipment and on accumulators and batteries and waste accumulators and batteries, as well as their adaptation to national law, waste electrical equipment, batteries and accumulators should be stored separately and delivered to a separate collection point for municipal waste, operating in accordance with the regulations on environmental protection.  
This is indicated by the symbol of the crossed-out wheeled bin placed on the equipment.



Guaranteed sound power level according to EU Outdoor Noise Directive.



Sound power level according to Australia  
NSW Noise Control Regulation.

## Intended use

The machine is intended for lawn mowing.

## Noise

The typical A-weighted noise level determined according to EN62841-4-3:

### Model LM003G

Measured sound power level ( $L_{WA}$ ) : 90 dB (A)  
Guaranteed sound power level ( $L_{WA}$ ) : 93 dB (A)  
Sound pressure level ( $L_{pA}$ ) : 83 dB (A)  
Uncertainty for sound pressure level (K) : 3 dB (A)

### Model LM004G

Measured sound power level ( $L_{WA}$ ) : 90 dB (A)  
Guaranteed sound power level ( $L_{WA}$ ) : 93 dB (A)  
Sound pressure level ( $L_{pA}$ ) : 81 dB (A)  
Uncertainty for sound pressure level (K) : 3 dB (A)

**NOTE:** The declared noise emission value(s) has been measured in accordance with a standard test method and may be used for comparing one tool with another.

**NOTE:** The declared noise emission value(s) may also be used in a preliminary assessment of exposure.

**⚠ WARNING:** Wear ear protection.

**⚠ WARNING:** The noise emission during actual use of the power tool can differ from the declared value(s) depending on the ways in which the tool is used especially what kind of workpiece is processed.

**⚠ WARNING:** Be sure to identify safety measures to protect the operator that are based on an estimation of exposure in the actual conditions of use (taking account of all parts of the operating cycle such as the times when the tool is switched off and when it is running idle in addition to the trigger time).

## Vibration

The vibration total value (tri-axial vector sum) determined according to EN62841-4-3:

### Model LM003G

Vibration emission ( $a_h$ ) : 2.5 m/s<sup>2</sup> or less  
Uncertainty (K) : 1.5 m/s<sup>2</sup>

### Model LM004G

Vibration emission ( $a_h$ ) : 2.5 m/s<sup>2</sup> or less  
Uncertainty (K) : 1.5 m/s<sup>2</sup>

**NOTE:** The declared vibration total value(s) has been measured in accordance with a standard test method and may be used for comparing one tool with another.

**NOTE:** The declared vibration total value(s) may also be used in a preliminary assessment of exposure.

**⚠ WARNING:** The vibration emission during actual use of the power tool can differ from the declared value(s) depending on the ways in which the tool is used especially what kind of workpiece is processed.

**⚠ WARNING:** Be sure to identify safety measures to protect the operator that are based on an estimation of exposure in the actual conditions of use (taking account of all parts of the operating cycle such as the times when the tool is switched off and when it is running idle in addition to the trigger time).

## Declarations of Conformity

### For European countries only

The Declarations of conformity are included in Annex A to this instruction manual.

## SAFETY WARNINGS

### General power tool safety warnings

**⚠ WARNING** Read all safety warnings, instructions, illustrations and specifications provided with this power tool. Failure to follow all instructions listed below may result in electric shock, fire and/or serious injury.

### Save all warnings and instructions for future reference.

The term "power tool" in the warnings refers to your mains-operated (corded) power tool or battery-operated (cordless) power tool.

### Cordless Lawn Mower Safety Warnings

1. **Do not use the lawnmower in bad weather conditions, especially when there is a risk of lightning.** This decreases the risk of being struck by lightning.
2. **Thoroughly inspect the area for wildlife where the lawnmower is to be used.** Wildlife may be injured by the lawnmower during operation.
3. **Thoroughly inspect the area where the lawnmower is to be used and remove all stones, sticks, wires, bones, and other foreign objects.** Thrown objects can cause personal injury.
4. **Before using the lawnmower, always visually inspect to see that the blade and the blade assembly are not worn or damaged.** Worn or damaged parts increase the risk of injury.
5. **Check the grass catcher frequently for wear or deterioration.** A worn or damaged grass catcher may increase the risk of personal injury.
6. **Keep guards in place. Guards must be in working order and be properly mounted.** A guard that is loose, damaged, or is not functioning correctly may result in personal injury.
7. **Keep all cooling air inlets clear of debris.** Blocked air inlets and debris may result in overheating or risk of fire.

8. **While operating the lawnmower, always wear non-slip and protective footwear. Do not operate the lawnmower when barefoot or wearing open sandals.** This reduces the chance of injury to the feet from contact with the moving blade.
9. **While operating the lawnmower, always wear long trousers.** Exposed skin increases the likelihood of injury from thrown objects.
10. **Do not operate the lawnmower in wet grass. Walk, never run.** This reduces the risk of slipping and falling which may result in personal injury.
11. **Do not operate the lawnmower on excessively steep slopes.** This reduces the risk of loss of control, slipping and falling which may result in personal injury.
12. **When working on slopes, always be sure of your footing, always work across the face of slopes, never up or down and exercise extreme caution when changing direction.** This reduces the risk of loss of control, slipping and falling which may result in personal injury.
13. **Use extreme caution when reversing or pulling the lawnmower towards you. Always be aware of your surroundings.** This reduces the risk of tripping during operation.
14. **Do not touch blades and other hazardous moving parts while they are still in motion.** This reduces the risk of injury from moving parts.
15. **When clearing jammed material or cleaning the lawnmower, make sure all power switches are off and the battery pack is disconnected.** Unexpected operation of the lawnmower may result in serious personal injury.

## SAVE THESE INSTRUCTIONS.

**⚠ WARNING: DO NOT** let comfort or familiarity with product (gained from repeated use) replace strict adherence to safety rules for the subject product.

**MISUSE** or failure to follow the safety rules stated in this instruction manual may cause serious personal injury.

## IMPORTANT SAFETY INSTRUCTIONS

**⚠ WARNING: Read all safety warnings and all instructions.** Failure to follow the warnings and instructions may result in electric shock, fire and/or serious injury.

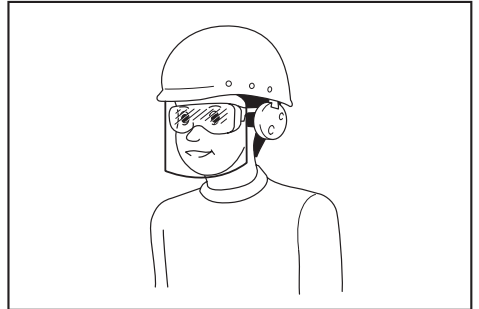
## Save all warnings and instructions for future reference.

### Training

1. **Read the instructions carefully. Be familiar with the controls and the proper use of the mower.**
2. **Never allow children or people unfamiliar with these instructions to use the mower. Local regulations can restrict the age of the operator.**
3. **Never operate the mower while people, especially children, or pets are nearby.**
4. **Keep in mind that the operator or user is responsible for accidents or hazards occurring to other people or their property.**
5. **Children should be supervised to ensure that they do not play with the mower.**
6. **Physical condition - Do not operate mower while under the influence of drugs, alcohol, or any medication.**

### Preparation

1. **While operating the mower, always wear substantial footwear and long trousers. Do not operate the mower when barefoot or wearing open sandals. Avoid wearing clothing or jewelry that is loose fitting or that has hanging cords or ties. They can be caught in moving parts.**
2. **Before use, always visually inspect the mower for damaged, missing or misplaced guards or shields.**
3. **Be sure the area is clear of other people before mowing. Stop mower if anyone enters the area.**
4. **Always wear protective goggles to protect your eyes from injury when using power tools. The goggles must comply with ANSI Z87.1 in the USA, EN 166 in Europe, or AS/NZS 1336 in Australia/New Zealand. In Australia/New Zealand, it is legally required to wear a face shield to protect your face, too.**



It is an employer's responsibility to enforce the use of appropriate safety protective equipments by the tool operators and by other persons in the immediate working area.

5. **Check the blades or blade bolts carefully for cracks or damage before operation. Replace cracked or damaged blades or blade bolts immediately.**
6. **Remove foreign matters such as rocks, wire, bottles, bones and large sticks from the work area before mowing to prevent personal injury or damage to the mower.**
7. **Objects struck by the mower blade can cause severe injuries to persons. The lawn should always be carefully examined and cleared of all objects prior to each mowing.**
8. **Watch for holes, ruts, bumps, rocks, or other hidden objects. Uneven terrain could cause a slip and fall accident. Tall grass can hide obstacles.**
9. **Use personal protective equipment. Always wear eye protection.** Protective equipment such as a dust mask, non-skid safety shoes, hard hat or hearing protection used for appropriate conditions will reduce personal injuries.

## Operation

1. Do not overreach. Keep the balance at all times. Always be sure of the footing on slopes. Walk, never run.
2. Stop the mower and turn off the machine, and make sure that all moving parts have come to a complete stop:
  - whenever you leave the mower,
  - before clearing blockages or unclogging chute,
  - before checking, cleaning or working on the mower,
  - after striking a foreign object. Inspect the mower for damage and make repairs before restarting and operating the mower,
  - whenever the mower starts vibrating abnormally.
3. Never operate the mower with defective guards or shields, or without safety devices, for example deflectors and/or grass basket, in place.
4. Avoid using the mower in bad weather conditions especially when there is a risk of lightning.
5. Wear eye protection and stout shoes at all times while operating the mower.
6. Operate the mower only in daylight or in good artificial light.
7. Switch on the mower carefully according to instructions and with feet well away from the blade(s).
8. Take care against injury to feet and hands from the mower blades.
9. Always ensure that the ventilation openings are kept clear of debris.
10. Mow across the face of slopes, never up and down. Exercise extreme caution when changing direction on slopes. Do not mow excessively steep slopes.
11. Use extreme caution when reversing or pulling the mower towards you.
12. Stop the blade(s) if the mower has to be tilted for transportation when crossing surfaces other than grass, and when transporting the mower to and from the area to be used.
13. Do not tilt the mower when switching on the motor, except if the mower has to be tilted for starting. In this case, do not tilt it more than absolutely necessary and lift only the part, which is away from the operator. Always ensure that both hands are in the operating position before returning the mower to the ground.
14. Do not put hands or feet near or under rotating parts. Keep clear of the discharge opening at all times.
15. Do not transport the mower while the mower is turned on.
16. Avoid operating the mower in wet grass.
17. Always keep a firm hold on the handle.
18. Don't grasp the exposed cutting blades or cutting edges when picking up or holding the mower.
19. Keep hands and feet away from rotating blades. Caution - Blades coast after the mower is switched off.
20. Stop operation immediately if you notice anything unusual. Switch off the mower. Then inspect the mower.
21. Never attempt to make cutting height adjustments while mower is running if the mower has cutting height adjustment feature.
22. Release switch lever and wait for blade rotation to stop before crossing driveways, walks, roads, and any gravel-covered areas. Also turn off the machine if you leave the mower, reach to pick up or remove something out of your way, or for any other reason that may distract you from what you are doing.
23. If the mower strikes a foreign object, follow these steps:
  - Stop the mower, release the switch lever and wait until the blade comes to a complete stop.
  - Remove the battery cartridge.
  - Thoroughly inspect the mower for any damage.
  - Replace the blade if it is damaged in any way. Repair any damage before restarting and continuing to operate the mower.
24. Do not start the mower when standing in front of the discharge opening.
25. If the mower starts to vibrate abnormally (check immediately)
  - inspect for damage,
  - replace or repair any damaged parts,
  - check for and tighten any loose parts.
26. Never direct discharged material toward anyone. Avoid discharging material against a wall or obstruction. Material may ricochet back toward the operator. Stop the blade when crossing gravel surfaces.
27. Do not pull the mower backwards unless absolutely necessary. When you are compelled to back the mower from a fence or other similar obstruction, look down and behind before and while moving backwards.
28. Shut the motor off and wait until the blade comes to a complete stop before removing the grass catcher. Beware that the blades coast after turn off.
29. When you use the machine on muddy ground, wet slope, or slippery place, pay attention to your footing.
30. Do not submerge the machine into a puddle.
31. When operating the machine, pay attention to piping and wiring.

## Maintenance and storage

1. Replace worn or damaged parts for safety. Use only genuine replacement parts and accessories.
2. Inspect and maintain the mower regularly.
3. When not in use, store the mower out of the reach of children.
4. Keep all nuts, bolts, and screws tight to be sure the equipment is in safe working condition.



5. **Check the grass basket frequently for wear or deterioration. For storage, always make sure the grass basket is empty. Replace a worn grass basket with a new factory replacement for safety.**
6. **Use only the manufacturer genuine blades specified in this manual.**
7. **Be careful during adjustment of the mower to prevent entrapment of the fingers between moving blades and fixed parts of the mower.**
8. **Check the blade mounting bolt at frequent intervals for proper tightness.**
9. **Always allow the mower to cool down before storing.**
10. **When servicing the blades be aware that, even though the power source is switched off, the blades can still be moved.**
11. **Never remove or tamper with safety devices. Check their proper operation regularly. Never do anything to interfere with the intended function of a safety device or to reduce the protection provided by a safety device.**
12. **Do not leave the machine unattended outdoors in the rain.**
13. **When storing the machine, avoid direct sunlight and rain, and store it in a place where it does not get hot or humid.**
2. **Do not open or mutilate the battery(ies).** Released electrolyte is corrosive and may cause damage to the eyes or skin. It may be toxic if swallowed.
3. **Do not charge battery in rain, or in wet locations.**
4. **Do not charge the battery outdoors.**
5. **Do not handle charger, including charger plug, and charger terminals with wet hands.**
6. **Do not replace the battery in the rain.**
7. **Do not wet the terminal of battery with liquid such as water, or submerge the battery. Do not leave the battery in the rain, nor charge, use, or store the battery in a damp or wet place.** If the terminal gets wet or liquid enters inside of battery, the battery may be short circuited and there is a risk of overheat, fire, or explosion.
8. **After removing the battery from the machine or charger, be sure to attach the battery cover to the battery and store it in a dry place.**
9. **Do not replace the battery with wet hands.**
10. **Avoid dangerous environment. Don't use the machine in damp or wet locations or expose it to rain.** Water entering the machine will increase the risk of electric shock.
11. **If the battery cartridge gets wet, drain the water inside and then wipe it with a dry cloth. Dry the battery cartridge completely in a dry place before use.**

#### Battery tool use and care

1. **Recharge only with the charger specified by the manufacturer.** A charger that is suitable for one type of battery pack may create a risk of fire when used with another battery pack.
2. **Use power tools only with specifically designated battery packs.** Use of any other battery packs may create a risk of injury and fire.
3. **When battery pack is not in use, keep it away from other metal objects, like paper clips, coins, keys, nails, screws or other small metal objects, that can make a connection from one terminal to another.** Shorting the battery terminals together may cause burns or a fire.
4. **Under abusive conditions, liquid may be ejected from the battery; avoid contact. If contact accidentally occurs, flush with water. If liquid contacts eyes, additionally seek medical help.** Liquid ejected from the battery may cause irritation or burns.
5. **Do not use a battery pack or tool that is damaged or modified.** Damaged or modified batteries may exhibit unpredictable behaviour resulting in fire, explosion or risk of injury.
6. **Do not expose a battery pack or tool to fire or excessive temperature.** Exposure to fire or temperature above 130 °C may cause explosion.
7. **Follow all charging instructions and do not charge the battery pack or tool outside the temperature range specified in the instructions.** Charging improperly or at temperatures outside the specified range may damage the battery and increase the risk of fire.

#### Electrical and battery safety

1. **Do not dispose of the battery(ies) in a fire.** The cell may explode. Check with local codes for possible special disposal instructions.

#### Service

1. **Have your power tool serviced by a qualified repair person using only identical replacement parts.** This will ensure that the safety of the power tool is maintained.
2. **Never service damaged battery packs.** Service of battery packs should only be performed by the manufacturer or authorized service providers.

## SAVE THESE INSTRUCTIONS.

**⚠ WARNING: DO NOT** let comfort or familiarity with product (gained from repeated use) replace strict adherence to safety rules for the subject product.

**MISUSE** or failure to follow the safety rules stated in this instruction manual may cause serious personal injury.

### Important safety instructions for battery cartridge

1. **Before using battery cartridge, read all instructions and cautionary markings on (1) battery charger, (2) battery, and (3) product using battery.**
2. **Do not disassemble or tamper with the battery cartridge.** It may result in a fire, excessive heat, or explosion.
3. **If operating time has become excessively shorter, stop operating immediately. It may result in a risk of overheating, possible burns and even an explosion.**
4. **If electrolyte gets into your eyes, rinse them out with clear water and seek medical attention right away. It may result in loss of your eyesight.**

5. **Do not short the battery cartridge:**
  - (1) **Do not touch the terminals with any conductive material.**
  - (2) **Avoid storing battery cartridge in a container with other metal objects such as nails, coins, etc.**
  - (3) **Do not expose battery cartridge to water or rain.**

A battery short can cause a large current flow, overheating, possible burns and even a breakdown.

6. **Do not store and use the tool and battery cartridge in locations where the temperature may reach or exceed 50 °C (122 °F).**
7. **Do not incinerate the battery cartridge even if it is severely damaged or is completely worn out. The battery cartridge can explode in a fire.**
8. **Do not nail, cut, crush, throw, drop the battery cartridge, or hit against a hard object to the battery cartridge.** Such conduct may result in a fire, excessive heat, or explosion.
9. **Do not use a damaged battery.**
10. **The contained lithium-ion batteries are subject to the Dangerous Goods Legislation requirements.**

For commercial transports e.g. by third parties, forwarding agents, special requirement on packaging and labeling must be observed. For preparation of the item being shipped, consulting an expert for hazardous material is required. Please also observe possibly more detailed national regulations.

Tape or mask off open contacts and pack up the battery in such a manner that it cannot move around in the packaging.

11. **When disposing the battery cartridge, remove it from the tool and dispose of it in a safe place. Follow your local regulations relating to disposal of battery.**
12. **Use the batteries only with the products specified by Makita.** Installing the batteries to non-compliant products may result in a fire, excessive heat, explosion, or leak of electrolyte.
13. **If the tool is not used for a long period of time, the battery must be removed from the tool.**
14. **During and after use, the battery cartridge may take on heat which can cause burns or low temperature burns. Pay attention to the handling of hot battery cartridges.**
15. **Do not touch the terminal of the tool immediately after use as it may get hot enough to cause burns.**
16. **Do not allow chips, dust, or soil stuck into the terminals, holes, and grooves of the battery cartridge.** It may cause heating, catching fire, burst and malfunction of the tool or battery cartridge, resulting in burns or personal injury.
17. **Unless the tool supports the use near high-voltage electrical power lines, do not use the battery cartridge near high-voltage electrical power lines.** It may result in a malfunction or breakdown of the tool or battery cartridge.
18. **Keep the battery away from children.**

## SAVE THESE INSTRUCTIONS.

**⚠CAUTION:** Only use genuine Makita batteries. Use of non-genuine Makita batteries, or batteries that have been altered, may result in the battery bursting causing fires, personal injury and damage. It will also void the Makita warranty for the Makita tool and charger.

## Tips for maintaining maximum battery life

1. **Charge the battery cartridge before completely discharged. Always stop tool operation and charge the battery cartridge when you notice less tool power.**
2. **Never recharge a fully charged battery cartridge. Overcharging shortens the battery service life.**
3. **Charge the battery cartridge with room temperature at 10 °C - 40 °C (50 °F - 104 °F). Let a hot battery cartridge cool down before charging it.**
4. **When not using the battery cartridge, remove it from the tool or the charger.**
5. **Charge the battery cartridge if you do not use it for a long period (more than six months).**

## ASSEMBLY

**⚠WARNING:** Always be sure that the battery cartridge is removed before carrying out any work on the machine. Failure to remove the battery cartridge may result in serious personal injury from accidental start-up.

**⚠WARNING:** Never start the mower unless it is completely assembled. Operation of the machine in a partially assembled state may result in serious personal injury from accidental start-up.

## Installing the battery cover

**⚠WARNING:** Do not insert the battery cartridge before installing the battery cover. Failure to do so may cause a serious injury.

Install the battery cover completely before the operation. The battery cover protects the mower and battery cartridge from mud, dirt, and water.

1. Place the battery cover with the protrusions on the mower aligned with the holes on the battery cover.

► Fig.1: 1. Protrusion 2. Hole 3. Battery cover

2. Place your hands in the middle of the battery cover and push it.

► Fig.2

3. Make sure that the battery cover is attached securely, and the battery cover is locked securely with the locking lever.

► Fig.3: 1. Locking lever



## Installing the handle

**CAUTION:** Install the handles securely.

**NOTICE:** When installing handles, position the cord so that it is not caught by anything between the handles. If the cord is damaged, the mower switch may not work.

1. Place the both ends of lower handle into the grooves of the mower body, then tighten the clamping levers, and then fold the clamping levers.

► **Fig.4:** 1. Clamping lever 2. Lower handle

When tightening the clamping levers, tighten them until the rings on the levers just cannot be seen.

► **Fig.5:** 1. Ring

**NOTE:** Make sure that there is no gap between the lower handle and the mower body after the clamping levers are folded.

► **Fig.6**

2. Align the hole in the upper handle with the hole in the lower handle, then insert the bolt from outside, and then tighten the thumb nut from inside. Perform the same procedure on the other side.

► **Fig.7:** 1. Thumb nut 2. Bolt

**NOTE:** Hold the upper handle firmly so that it does not drop off your hand.

## Removing the mulching plug

1. Open the rear cover.

► **Fig.8:** 1. Rear cover

2. Hold the mulching plug by the handle, and then pull it out from the mower body as shown in the figure.

► **Fig.9:** 1. Handle 2. Mulching plug

## Installing or removing the grass basket

To install the grass basket, follow the steps below.

1. Open the rear cover.

► **Fig.10:** 1. Rear cover

2. Hold the handle of the grass basket, and then hook the grass basket on the rod of the mower body as shown in the figure.

► **Fig.11:** 1. Rod 2. Handle 3. Grass basket

To remove the grass basket, open the rear cover, and then remove the grass basket by holding the handle.

## Attaching the mulching plug

1. Open the rear cover, and then remove the grass basket.

► **Fig.12:** 1. Rear cover 2. Grass basket

2. Hold the mulching plug by the handle, and then attach it to the mower body by pushing it as far as it will go as shown in the figure.

► **Fig.13:** 1. Handle 2. Mulching plug

## FUNCTIONAL DESCRIPTION

**CAUTION:** Always be sure that the machine is switched off and the battery cartridge is removed before adjusting or checking function on the machine.

## Installing or removing battery cartridge

**CAUTION:** Always switch off the machine before installing or removing of the battery cartridge.

**CAUTION:** Hold the machine and the battery cartridge firmly when installing or removing battery cartridge. Failure to hold the machine and the battery cartridge firmly may cause them to slip off your hands and result in damage to the machine and battery cartridge and a personal injury.

**CAUTION:** Make sure that you lock the battery cover before use. Otherwise, mud, dirt, or water may cause damage to the product or the battery cartridge.

**CAUTION:** Always install the battery cartridge fully until the red indicator cannot be seen. If not, it may accidentally fall out of the machine, causing injury to you or someone around you.

**CAUTION:** Do not install the battery cartridge forcibly. If the cartridge does not slide in easily, it is not being inserted correctly.

**CAUTION:** Hold the battery cover firmly when installing or removing the battery cartridge.

To install the battery cartridge;

1. Pull up the locking lever, and then open the battery cover.

► **Fig.14:** 1. Battery cover 2. Locking lever

2. Align the tongue on the battery cartridge with the slot on the mower then slide the cartridge until it locks in place with a little click.

► **Fig.15:** 1. Battery cartridge

3. Close the battery cover firmly.

To remove the battery cartridge from the mower;

1. Pull up the locking lever and open the battery cover.

2. Pull out the battery cartridge from the mower while sliding the button on the front of the cartridge.

3. Close the battery cover.

## Machine / battery protection system

The machine is equipped with a machine/battery protection system. This system automatically cuts off power to the motor to extend machine and battery life. The machine will automatically stop during operation if the machine or battery is placed under one of the following conditions.

### Overload protection

When the machine/battery is operated in a manner that causes it to draw an abnormally high current, the machine automatically stops and the indicator lamp lights up in red. In this situation, turn the machine off and stop the application that caused the machine to become overloaded. Then turn the machine on to restart.

### Overheat protection

When the machine is overheated, the machine stops automatically and the indicator lamp lights up in red. Let the machine cool down before turning the machine on again.

### Overdischarge protection

When the battery capacity becomes low, the machine stops automatically and the indicator lamp lights up in red. If the machine does not operate even when the switches are operated, remove the battery from the machine and charge the battery.

### Protections against other causes

Protection system is also designed for other causes that could damage the machine and allows the machine to stop automatically. Take all the following steps to clear the causes, when the machine has been brought to a temporary halt or stop in operation.

1. Turn the machine off, and then turn it on again to restart.
2. Charge the battery(ies) or replace it/them with recharged battery(ies).
3. Let the machine and battery(ies) cool down.

If no improvement can be found by restoring protection system, then contact your local Makita Service Center.

**NOTICE:** If the machine stops due to a cause not described above, refer to the section for troubleshooting.

**NOTE:** The timing, at which the lamp lights up, depends on the temperature at work place and the battery cartridge conditions.

## Indicating the remaining battery capacity


















► Fig.16: 1. Indicator lamp

When the remaining battery capacity gets low, the indicator lamp blinks in red. By further use, the machine stops and the indicator lamp lights up in red. In this situation, charge the battery cartridge.

## Indicating the remaining battery capacity

Press the check button on the battery cartridge to indicate the remaining battery capacity. The indicator lamps light up for a few seconds.

► Fig.17: 1. Indicator lamps 2. Check button

Indicator lamps			Remaining capacity
 Lighted	 Off	 Blinking	
			75% to 100%
			50% to 75%
			25% to 50%
			0% to 25%
			Charge the battery.
			The battery may have malfunctioned.
			

**NOTE:** Depending on the conditions of use and the ambient temperature, the indication may differ slightly from the actual capacity.

**NOTE:** The first (far left) indicator lamp will blink when the battery protection system works.

## Switch action

**WARNING:** Before installing the battery cartridge, always check to see that the switch lever actuates properly and returns to the original position when released. Operating a machine with a switch that does not actuate properly can lead to loss of control and serious personal injury.

**NOTE:** The mower does not start without pressing the switch button even the switch lever is pulled.

**NOTE:** Mower may not start due to the overload when you try to mow long or dense grass at a time. Increase the mowing height in this case.

This machine is equipped with the switch button. If you notice anything unusual with the switch button, stop the operation immediately and have it checked by your nearest Makita Authorized Service Center.

1. Install the battery cartridge, and then close the battery cover firmly.
2. Pull the switch lever toward you while holding down the switch button. Release the switch button when the motor starts running.

► Fig.18: 1. Switch button 2. Switch lever

3. Release the switch lever to stop the motor.

## Adjusting the mowing height

**⚠ WARNING:** Never put your hand or leg under the mower body when adjusting the mowing height.

**⚠ WARNING:** Always make sure that the lever fits in the groove properly before operation.

The mowing height can be adjusted in the range of between 20 mm and 75 mm.

Turn off the machine, and then pull the mowing height adjusting lever outward of the mower body and move it to your desired mowing height.

► **Fig.19:** 1. Mowing height adjusting lever

The table below shows the relationship between the number on the mower body and the approximate mowing height.

Number	Mowing height
1	20 mm
2	29 mm
3	36 mm
4	44 mm
5	53 mm
6	61 mm
7	69 mm
8	75 mm

**NOTE:** The mowing height figures should be used just as a guideline. Depending on the conditions of the lawn or the ground, the actual lawn height may become slightly different from the set height.

**NOTE:** Try a test mowing of grass in a less conspicuous place to get your desired height.

## Grass level indicator

► **Fig.20:** 1. Grass level indicator

Grass level indicator shows the volume of mowed grass.

- When the grass basket is not full, the indicator floats during mowing.
- When the grass basket is full, the indicator does not float during mowing. In this case, stop mowing immediately and empty the basket. After emptying the basket, clean it so that its meshwork vents the air.

**NOTE:** This indicator is a rough guide. Depending on the conditions of inside of the basket, this indicator may not work properly.

## Adjusting the handle height

**⚠ CAUTION:** Before removing the bolts, hold the upper handle firmly. Otherwise, the handle may fall and cause an injury.

The handle height can be adjusted in two levels.

1. Loosen the thumb nuts of the handle, and then remove the bolts and thumb nuts.

► **Fig.21:** 1. Thumb nut

2. Adjust the handle height.
3. Insert the bolts from outside, and then tighten the thumb nuts from inside.

## Using mulching plug

The mulching plug allows you to return the cut grass to the ground without gathering the cut grass in the grass basket. When you operate the machine with the mulching plug, be sure to remove the grass basket.

**NOTICE:** When using the machine with the mulching plug, make sure that the total length of grass after cutting is 30 mm or more, and the cut length is 15 mm or less.

► **Fig.22:** (1) 30 mm or more (2) 15 mm or less

# OPERATION

## Mowing

**⚠ WARNING:** Before mowing, clear away sticks and stones from mowing area. Furthermore, clear away any weeds from mowing area in advance.

**⚠ WARNING:** Always wear the safety goggles or safety glasses with side shields when operating the mower.

**⚠ CAUTION:** If the cut grass or foreign object blocks up inside of the mower body, be sure to remove the battery cartridges and wear gloves before removing the grass or foreign object.

**NOTICE:** Use this machine for mowing lawn only. Do not mow weeds with this machine.

► **Fig.23**

Firmly hold the handle with both hands when mowing.

The mowing speed guideline is approximately 2 to 4 seconds per 1 meter.

► **Fig.24**

**NOTE:** When cutting long lawn or dense lawn, if the unevenness in the length of lawn or poor finish is found after mowing, or decrease of the motor speed is found during mowing, decrease the mowing speed lower than recommended in this manual, or raise the mowing height.

The center lines of the front wheels are guidelines to mowing width. Using the center lines as guidelines, mow in strips. Overlap by one half to one third the previous strip to mow the lawn evenly.

► **Fig.25:** 1. Mowing width 2. Overlapping area  
3. Center line

Change the mowing direction each time to prevent the grass grain pattern from forming in just one direction.

► **Fig.26**

Periodically check the grass basket for mowed grass. Empty the grass before it becomes full. Before every periodical check, be sure to stop and turn off the machine.

**NOTICE:** Using the mower with the grass basket full prevents smooth blade rotation and places an extra load on the motor, which may cause breakdown.

## Mowing a long-grass lawn

Do not try to cut long grass all in one go. Instead, mow the lawn in some steps. Leave a day or two between mows until the lawn becomes evenly short.

**NOTE:** Mowing long grass to a short length all in one go may cause the grass to die. The cut grass may also block up inside of the mower body.

## Emptying the grass basket

**WARNING:** To reduce a risk of accident, regularly check the grass basket for any damage or weakened strength. Replace the grass basket if necessary.

1. Release the switch lever.
2. Remove the battery cartridge.
3. Open the rear cover and take out the grass basket by holding the handle.  
► **Fig.27:** 1. Rear cover 2. Handle
4. Empty the grass basket.

## MAINTENANCE

**WARNING:** Always be sure that the battery cartridge is removed from the machine before storing or carrying the machine or attempting to perform inspection or maintenance.

**WARNING:** Wear gloves when performing inspection or maintenance.

**WARNING:** Always wear the safety goggles or safety glasses with side shields when performing inspection or maintenance.

**NOTICE:** Never use gasoline, benzine, thinner, alcohol or the like. Discoloration, deformation or cracks may result.

To maintain product SAFETY and RELIABILITY, repairs, any other maintenance or adjustment should be performed by Makita Authorized or Factory Service Centers, always using Makita replacement parts.

## Maintenance

1. Remove the battery cartridge, and then close the battery cover.
2. Put the mower on its side. Clean grass clippings accumulated on the underside of mower deck.
3. Pour water toward the bottom of the machine to which the blade is attached.

**NOTICE:** Do not wash the machine with high pressure water.

4. Check all nuts, bolts, screws, etc. for tightness.
5. Inspect moving parts for damage, breakage, and wear. Damaged or missing parts should be repaired or replaced.
6. Store the mower in a safe place out of the reach of children.

## Storage

**CAUTION:** When putting the machine in the upright position, place the machine on a flat and stable surface. If the machine is placed on an unstable surface, the machine may fall over and cause an injury.

Store mower indoors in a cool, dry and locked place. Don't store the mower and charger in locations where the temperature may reach or exceed 40 °C.

1. Remove the battery cartridge.
2. Remove the grass basket.
3. Unfold the clamping levers, then fold the handle, and then fold the clamping levers.  
► **Fig.28:** 1. Clamping lever
4. Loosen the thumb nuts of the handle, and then fold the upper handle.  
► **Fig.29:** 1. Thumb nut 2. Upper handle
5. Place the machine in the upright position.

**NOTE:** When putting the mower in the upright position, do not hold the handle only, but hold the mower body and handle.

6. Store the grass basket between the handle and the mower body.  
► **Fig.30:** 1. Grass basket

## Carrying the mower

**CAUTION:** Before carrying the mower, make sure that the battery cartridge is removed.

When carrying the mower, hold the rear grip and the lower holding part at the front of the machine as shown in the figure.

- **Fig.31:** 1. Lower holding part 2. Rear grip

## Removing or installing the mower blade

**WARNING:** Always remove the battery cartridge when removing or installing the blade. Failure to remove the battery cartridge may cause a serious injury.

**WARNING:** The blade coasts for a few seconds after releasing the switch. Do not start any operation until the blade comes to a complete stop.

**WARNING:** Always wear gloves when handling the blade.

## Removing the mower blade

1. Put the mower on its side so that the mowing height adjusting lever comes to the upper side.
2. To lock the blade rotation, insert a pin or tool such as screwdriver into a hole on the mower body.
3. Turn the bolt counterclockwise with the wrench.  
► **Fig.32:** 1. Mower blade 2. Wrench 3. Screwdriver 4. Hole
4. Remove the bolt and blade in order.  
► **Fig.33:** 1. Blade support 2. Mower blade 3. Bolt

## Installing the mower blade

To install the mower blade, take the removal procedure in reverse.

**⚠WARNING:** Install the mower blade carefully. It has a top/bottom facing.

**⚠WARNING:** Tighten the bolt clockwise firmly to secure the blade.

**⚠WARNING:** Make sure that the mower blade and all the fixing parts are installed correctly and tightened securely.

**⚠WARNING:** When you replace the blades, always follow the instructions provided in this manual.

## TROUBLESHOOTING

Before asking for repairs, conduct your own inspection first. If you find a problem that is not explained in the manual, do not attempt to disassemble the machine. Instead, ask Makita Authorized Service Centers, always using Makita replacement parts for repairs.

State of abnormality	Probable cause (malfunction)	Remedy
Mower does not start.	Battery cartridge is not installed.	Install charged battery cartridge.
	Battery problem (under voltage)	Recharge the battery cartridge. If recharging is not effective, replace battery cartridge.
Motor stops running after a little use.	Battery's charge level is low.	Recharge the battery cartridge. If recharging is not effective, replace battery cartridge.
	Cutting height is too low.	Increase the cutting height.
Motor does not reach maximum RPM.	Battery cartridge is installed improperly.	Install the battery cartridge as described in this manual.
	Battery power is dropping.	Recharge the battery cartridge. If recharging is not effective, replace battery cartridge.
	The drive system does not work correctly.	Ask your local authorized service center for repair.
Mower blade does not rotate: ⇒ stop the mower immediately!	Foreign object such as a branch is jammed near the blade.	Remove the foreign object.
	The drive system does not work correctly.	Ask your local authorized service center for repair.
Abnormal vibration: ⇒ stop the mower immediately!	Blade is imbalanced, excessively or unevenly worn.	Replace the blade.

## OPTIONAL ACCESSORIES

**⚠CAUTION:** These accessories or attachments are recommended for use with your Makita machine specified in this manual. The use of any other accessories or attachments might present a risk of injury to persons. Only use accessory or attachment for its stated purpose.

If you need any assistance for more details regarding these accessories, ask your local Makita Service Center.

- Mower blade
- Makita genuine battery and charger

**NOTE:** Some items in the list may be included in the product package as standard accessories. They may differ from country to country.

## SPECIFIKATIONER

Modell:		LM003G	LM004G
Klippbredd (knivdiameter)		380 mm	430 mm
Hastighet utan belastning		3 800 min <sup>-1</sup>	
Artikelnummer för byte av gräsklipparkniv	Rak gräsklipparkniv	1913G8-3	1913H4-8
	Mulchblad	1913H0-6	1913H6-4
Dimensioner (L x B x H)	vid användning	L: 1 370 mm till 1 420 mm B: 450 mm H: 990 mm till 1 020 mm	L: 1 390 mm till 1 440 mm B: 460 mm H: 990 mm till 1 020 mm
	vid förvaring (utan gräsuppsamlare)	520 mm x 450 mm x 880 mm	520 mm x 460 mm x 885 mm
Märkspänning		36 V - 40 V likström max	
Nettovikt		14,9 - 17,3 kg	15,6 - 18,2 kg
Skyddsgrad		IPX4	

- På grund av vårt pågående program för forskning och utveckling kan dessa specifikationer ändras utan föregående meddelande.
- Specifikationer kan variera mellan olika länder.
- Vikten kan variera beroende på tillbehören, inklusive batterikassett. Den lättaste och den tyngsta kombinationen enligt EPTA-procedur 01/2014 visas i tabellen.

## Tillgänglig batterikassett och laddare

Batterikassett	BL4020* / BL4025* / BL4040* / BL4050F* / BL4080F* *: Rekommenderat batteri
Laddare	DC40RA / DC40RB / DC40RC







- Vissa av batterikassetterna och laddarna på listan ovan kanske inte finns tillgängliga i din region.

**⚠ VARNING: Använd endast batterikassetter och laddare från listan ovan.** Användning av andra batterikassetter och laddare kan orsaka personskada och/eller brand.

**⚠ VARNING: Använd inte en strömförsörjning med sladd, som en batteriadapter eller bärbart strömpaket, med denna maskin.** Kabeln till sådan anordning kan hindra användningen och leda till personskada.

## Symboler

Följande visar symbolerna som kan användas för utrustningen. Se till att du förstår innebörden innan användning.

	Var extra försiktig och uppmärksam.
	Läs igenom bruksanvisningen.
	Fara! Se upp för flygande föremål.
	Avståndet mellan maskinen och åskådare måste vara minst 15 m.
	Placera aldrig dina händer eller fötter nära gräsklipparkniven under gräsklipparen. Gräsklipparknivarna fortsätter att rotera efter det att motorn stängts av.
	Varning: Koppla från batteriet före underhåll.



Gäller endast inom EU  
P.g.a. förekomsten av farliga komponenter i utrustningen kan avfall innehållande elektrisk och elektronisk utrustning, ackumulatörer och batterier ha negativ inverkan på miljön och människors hälsa. Kassetter och elektriska och elektroniska apparater eller batterier ihop med hushållsavfall!  
I enlighet med EU-direktiven om avfall som utgörs av eller innehåller elektrisk och elektronisk utrustning och om batterier och ackumulatörer och förbrukade batterier och ackumulatörer, och dess införlivande i nationell lagstiftning, bör förbrukad elektrisk och elektronisk utrustning, batterier och ackumulatörer förvaras separat och transporteras till en särskild uppsamlingsplats för kommunalt avfall, som drivs i enlighet med regelverket för miljöskydd. Detta anges av symbolen med den överkryssade soptunnan på hjul som sitter på utrustningen.



Garanterad ljudeffektivitet enligt EU-direktivet för utomhusbuller.



## Avsedd användning

Maskinen är avsedd för gräsklippning.

## Buller

Den normala bullernivån för A-belastning är bestämd enligt EN62841-4-3:

### Modell LM003G

Uppmätt ljudeffektivnivå ( $L_{WA}$ ): 90 dB (A)  
Garanterad ljudeffektivnivå ( $L_{WA}$ ): 93 dB (A)  
Ljudtrycksnivå ( $L_{pA}$ ): 83 dB (A)  
Måttolerans för ljudeffektivnivå (K): 3 dB (A)

### Model LM004G

Uppmätt ljudeffektivnivå ( $L_{WA}$ ): 90 dB (A)  
Garanterad ljudeffektivnivå ( $L_{WA}$ ): 93 dB (A)  
Ljudtrycksnivå ( $L_{pA}$ ): 81 dB (A)  
Måttolerans för ljudeffektivnivå (K): 3 dB (A)

**OBS:** Det deklarerade bullervärdet har uppmätts i enlighet med standardtestmetoden och kan användas för jämförandet av en maskin med en annan.

**OBS:** Det deklarerade bulleremissionsvärdet kan också användas i en preliminär bedömning av exponering för vibration.

**⚠ VARNING:** Använd hörselskydd.

**⚠ VARNING:** Bulleremissionen under faktisk användning av maskinen kan skilja sig från det deklarerade värdet, beroende på hur maskinen används och särskilt vilken typ av arbetsstycke som behandlas.

**⚠ VARNING:** Var noga med att identifiera säkerhetsåtgärder för att skydda användaren, vilka är grundade på en uppskattning av graden av exponering för vibrationer under de faktiska användningsförhållandena, (ta, förutom avtryckartiden, med alla delar av användarcykeln i beräkningen, som till exempel tiden då maskinen är avstängd och när den går på tomgång).

## Vibration

Det totala vibrationsvärdet (treaxlad vektorsumma) bestämt enligt EN62841-4-3:

### Modell LM003G

Vibrationsemission ( $a_h$ ): 2,5 m/s<sup>2</sup> eller lägre  
Måttolerans (K): 1,5 m/s<sup>2</sup>

### Modell LM004G

Vibrationsemission ( $a_h$ ): 2,5 m/s<sup>2</sup> eller lägre  
Måttolerans (K): 1,5 m/s<sup>2</sup>

**OBS:** Det deklarerade totala vibrationsvärdet har uppmätts i enlighet med standardtestmetoden och kan användas för jämförandet av en maskin med en annan.

**OBS:** Det deklarerade totala vibrationsvärdet kan också användas i en preliminär bedömning av exponering för vibration.

**⚠ VARNING:** Vibrationsemissionen under faktisk användning av maskinen kan skilja sig från det deklarerade värdet, beroende på hur maskinen används och särskilt vilken typ av arbetsstycke som behandlas.

**⚠ VARNING:** Var noga med att identifiera säkerhetsåtgärder för att skydda användaren, vilka är grundade på en uppskattning av graden av exponering för vibrationer under de faktiska användningsförhållandena, (ta, förutom avtryckartiden, med alla delar av användarcykeln i beräkningen, som till exempel tiden då maskinen är avstängd och när den går på tomgång).

## Försäkran om överensstämmelse

### Gäller endast inom EU

Försäkran om överensstämmelse ingår i bilaga A till denna bruksanvisning.

## SÄKERHETSVARNINGAR

### Allmänna säkerhetsvarningar för maskiner

**⚠ VARNING** Läs alla säkerhetsvarningar, instruktioner, illustrationer och specifikationer som medföljer detta elverktyg. Underlåtenhet att följa alla instruktioner nedan kan leda till elstötar, brand och/eller allvarliga personskador.

### Spara alla varningar och instruktioner för framtida referens.

Termen "maskin" som anges i varningarna hänvisar till din eldrivna maskin (sladdansluten) eller batteridrivna maskin (sladdlös).

### Säkerhetsvarningar för batteridrivna gräsklippare

1. Använd inte gräsklipparen vid dåliga väderförhållanden, speciellt inte vid risk för åska. Då minskar risken att bli träffad av blixten.
2. Kontrollera noggrant området för vilda djur inför användandet av gräsklipparen. Vilda djur kan skadas av gräsklipparen under användning.
3. Kontrollera noggrant området där gräsklipparen ska användas och rensa bort alla stenar, grenar, sladdar, ben och andra främmande föremål. Kastade föremål kan leda till personskador.
4. Inför användandet av gräsklipparen ska blad och bladmonteringen kontrolleras för slitage och skador. Slitna eller skadade delar ökar risken för skador.
5. Kontrollera regelbundet gräsfångaren efter slitage eller försämring. En slitna eller skadad gräsfångare kan öka risken för personskador.
6. Se till att skydden sitter på plats. Skydden måste vara i fungerande skick och monterade på rätt sätt. Skydd som sitter löst, är skadade eller inte fungerar på rätt sätt kan leda till personskador.



7. **Håll alla kylluftinlopp fria från skräp.** Blockerade luftinlopp och skräp kan resultera i överhettning eller brandrisk.
8. **Bär alltid halkfria skyddsskor när du använder gräsklipparen.** Använd inte gräsklipparen barfota eller med öppna skor. Detta minskar chansen för fotskador via kontakt med det roterande bladet.
9. **Bär alltid långbyxor när du roterar gräsklipparen.** Exponerad hud ökar risken för skador från kastade objekt.
10. **Använd inte gräsklipparen i vått gräs. Gå, spring aldrig.** Detta minskar risken att halka och ramla, vilket kan leda till personskada.
11. **Använd inte gräsklipparen i mycket branta sluttningar.** Detta minskar risken att tappa kontrollen, halka och ramla, vilket kan leda till personskada.
12. **Vid arbeten i sluttningar, se alltid till att stå stadigt, alltid arbeta tvärs med sluttning, aldrig upp/ner, och utöva extrem försiktighet vid riktningbyte.** Detta minskar risken att tappa kontrollen, halka och ramla, vilket kan leda till personskada.
13. **Var mycket försiktig när du vänder gräsklipparen eller drar den mot dig. Var alltid uppmärksam om din omgivning.** Detta minskar risken för att snubbla vid användning.
14. **Rör inte blad eller andra farliga rörliga delar medan de fortfarande är i rörelse.** Detta minskar risken för skador från rörliga delar.
15. **När du tar bort material som fastnat eller rengör gräsklipparen, se då till att alla strömbrytare är avstängda och att batteripaketet är fränkopplat.** Övriga användning av gräsklipparen kan leda till allvarig personskada.

## SPARA DESSA ANVISNINGAR.

**⚠ VARNING:** GLÖM INTE att också fortsättningsvis strikt följa säkerhetsanvisningarna för maskinen även efter att du blivit van att använda den.

Vid FELAKTIG HANTERING av maskinen eller om inte säkerhetsanvisningarna i denna bruksanvisning följs kan följden bli allvariga personskador.

## VIKTIGA SÄKERHETSANVISNINGAR

**⚠ VARNING:** Läs igenom alla säkerhetsvarningar och anvisningar. Underlåtenhet att följa varningar och instruktioner kan leda till elstöt, brand och/eller allvariga personskador.

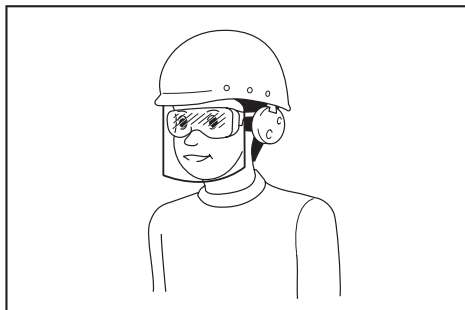
## Spara alla varningar och instruktioner för framtida referens.

### Utbildning

1. Läs anvisningarna noggrant. Var förtrogen med styrreglagen och korrekt användning av gräsklipparen.
2. Låt aldrig gräsklipparen användas av barn eller av personer som inte känner till dessa anvisningar. Lokala bestämmelser kan ange en åldersgräns för användaren.
3. Använd aldrig gräsklipparen när personer (särskilt barn) eller djur finns i närheten.
4. Glöm inte att användaren är ansvarig för olyckor eller eventuellt fara gentemot andra personer och deras egendom.
5. Barn ska övervakas så att de inte leker med gräsklipparen.
6. Fysiskt tillstånd – Använd inte gräsklipparen under påverkan av droger, alkohol eller mediciner.

### Förberedelse

1. Bär alltid kraftiga skor och långbyxor när du använder gräsklipparen. Använd inte gräsklipparen barfota eller med öppna skor. Undvik att bära kläder eller smycken som sitter löst eller som har hängande snoddar eller band. De kan fångas upp av rörliga delar.
2. Inspektera alltid gräsklipparen visuellt innan användning avseende skada, saknade eller felplacerade skydd.
3. Kontrollera att det inte finns några personer i området före gräsklippningen. Stäng av gräsklipparen om någon närmar sig.
4. Bär alltid skyddsglasögon för att skydda dina ögon från skada när du använder e-verktyg. Skyddsglasögonen måste uppfylla ANSI Z87.1 i USA, EN 166 i Europa, eller AS/NZS 1336 i Australien/Nya Zeeland. I Australien/Nya Zeeland måste man enligt lag även bära ansiktsskydd för att skydda ansiktet.



Det är arbetsgivarens ansvar att se till att användare och övriga personer i det omedelbara arbetsområdet använder lämplig skyddsutrustning.

5. Kontrollera före användning att knivarna eller knivbultarna inte är spruckna eller skadade. Byt omedelbart ut skadade knivar eller knivbultar.
6. Ta bort främmande föremål såsom stenar, kablar, flaskor, ben och långa pinnar från arbetsområdet innan gräsklippningen för att undvika personskador eller skada på gräsklipparen.
7. Föremål som träffas av gräsklipparens kniv kan orsaka allvariga personskador. Gräsmattan ska alltid undersökas väl och röjas från föremål före varje klippning.
8. Se upp för hål, rötter, knölar, stenar eller andra dolda föremål. Ojämn terräng kan vara en halkrisk. Högt gräs kan dölja föremål.



9. **Använd personlig säkerhetsutrustning. Använd alltid skyddsglasögon.** Användning av skyddsutrustning, som till exempel dammask, halkfria skor, skyddshjälm och hörselskydd, under lämpliga förhållanden minskar risken för personskador.
19. **Håll händer och fötter borta från rörliga knivar. Försiktighet – Knivarna stannar inte omedelbart när gräsklipparen stängs av.**
20. **Stoppa maskinen omedelbart om du lägger märke till något onormalt. Stäng av gräsklipparen. Inspektera sedan gräsklipparen.**

#### Användning

1. **Översträck inte. Ha god balans hela tiden. Se alltid till att ha balans på sluttningar. Gå, spring aldrig.**
2. **Stoppa gräsklipparen, stäng av maskinen och se till att alla rörliga delar har stannat helt:**
  - när du lämnar gräsklipparen,
  - innan du tar bort något som fastnat eller rensar utkastningsrännan,
  - före kontroll, rengöring eller arbete på gräsklipparen,
  - om du stött emot ett främmande föremål med maskinen. Inspektera gräsklipparen efter skador och utför reparationer innan maskinen startas om och används på nytt,
  - om gräsklipparen börjar vibrera på ett onormalt sätt.
3. **Använd aldrig gräsklipparen med skadade skydd eller utan säkerhetsutrustning, t. ex. stenskydd och/eller gräsupsamlare, på plats.**
4. **Undvik att använda gräsklipparen vid dåliga väderförhållanden, speciellt vid risk för åska.**
5. **Bär alltid skyddsglasögon och kraftiga skor när du arbetar med gräsklipparen.**
6. **Använd endast gräsklipparen i dagsljus eller i god belysning.**
7. **Starta gräsklipparen omsorgsfullt enligt anvisningarna och med fötterna på säkert avstånd från knivarna.**
8. **Var försiktig så att du inte skadar händer och fötter på gräsklipparkniven.**
9. **Försäkra dig alltid om att lufthålen är fria från smuts.**
10. **Klipp längs med sluttningar, aldrig uppåt och nedåt. Var särskilt försiktig vid byte av riktning i sluttande terräng. Klipp inte mycket branta sluttningar.**
11. **Var mycket försiktig när du vänder gräsklipparen eller drar den mot dig.**
12. **Stoppa knivarna om gräsklipparen måste lutas för att transporteras över gräsfria ytor och när maskinen transporteras till och från området som ska klippas.**
13. **Luta inte gräsklipparen när du startar motorn, såvida den inte måste lutas för att startas. I så fall ska den inte lutas mer än vad som är absolut nödvändigt och lyft endast den delen som är längst bort från användaren. Se alltid till att båda händerna är i arbetsläge innan du ställer ner gräsklipparen på marken.**
14. **Placera inte händer och fötter i närheten av eller under roterande delar. Stå alltid långt ifrån utkastöppningen.**
15. **Transportera inte gräsklipparen medan den är igång.**
16. **Undvik att använda gräsklipparen i vått gräs.**
17. **Håll alltid stadigt i handtaget.**
18. **Greppa inte de oskyddade knivbladen eller kniveggarna när du tar upp eller håller i gräsklipparen.**
21. **Försök aldrig göra justeringar av klipphöjden medan gräsklipparen är igång, om den har funktionen klipphöjdsinställning.**
22. **Släpp säkerhetsgreppet och vänta tills kniven har slutat rotera innan du korsar en uppfart, gångväg, väg eller annat grustäckt område. Stäng också av maskinen om du lämnar gräsklipparen, sträcker dig för att plocka upp eller ta bort något som ligger i vägen, eller om du på något annat sätt distraheras från arbetet.**
23. **Följ dessa steg om gräsklipparen slår emot ett främmande föremål:**
  - Stanna gräsklipparen, släpp säkerhetsgreppet och vänta tills kniven stannat helt.
  - Ta bort batterikassetten.
  - Kontrollera gräsklipparen grundligt så att inte några skador har uppstått.
  - Byt ut kniven om den är skadad på något sätt. Reparera eventuella skador innan du startar om och återupptar användningen av gräsklipparen.
24. **Starta inte gräsklipparen när du står framför utkastöppningen.**
25. **Om gräsklipparen börjar vibrera på ett onormalt sätt (kontrollera omedelbart)**
  - kontrollera om skada har uppstått,
  - byt ut eller reparera skadade delar,
  - kontrollera och dra åt lösa delar.
26. **Rikta aldrig utloppsmaterial mot någon. Undvik att rikta utloppsmaterial mot en vägg eller hinder. Material kan studsas tillbaka på användaren. Stanna bladet när du korsar grusvägar.**
27. **Dra inte gräsklipparen baklänges såvida det inte är absolut nödvändigt. När du är tvingad att backa gräsklipparen från ett staket eller liknande hinder måste du titta ner och bakom dig innan och medan du backar.**
28. **Stäng av motorn och vänta tills bladen har stannat innan du tar bort gräsupsamlaren. Tänk på att klingan inte stannar omedelbart när maskinen stängs av.**
29. **Var uppmärksam på var du har fötterna när du använder maskinen på lerig mark, i våta sluttningar eller hala ställen.**
30. **Låt inte maskinen åka ner i någon pöl.**
31. **Var uppmärksam på rör och kablar när maskinen används.**

#### Underhåll och förvaring

1. **Byt ut slitna eller skadade delar för säker användning. Använd endast originaldelar och tillbehör.**
2. **Inspektera och underhåll gräsklipparen regelbundet.**
3. **När gräsklipparen inte används ska den förvaras utom räckhåll för barn.**
4. **Se till att alla muttrar, bultar och skruvar är åtdragna för att alltid bibehålla utrustningen i säkert arbetsskick.**

5. **Kontrollera gräsuppsamlaren regelbundet efter slitage eller försämring. Se alltid till att gräsuppsamlaren är tom när maskinen flyttas. Byt ut gräsuppsamlaren om den är sliten mot en ny från fabriken för säker användning.**
6. **Använd endast tillverkarens originalknivar som specificerats i denna bruksanvisning.**
7. **Var försiktig vid justering av gräsklipparen för att undvika att fastna med fingrarna mellan knivar i rörelse och fasta maskindelar.**
8. **Kontrollera knivens monteringsbult regelbundet så att den är ordentligt åtdragen.**
9. **Låt alltid gräsklipparen svalna innan du ställer in den för förvaring.**
10. **Vid underhåll av knivarna bör du vara uppmärksam på att de fortfarande kan snurra även om strömkällan är avstängd.**
11. **Ta aldrig bort eller mixtra med säkerhetsanordningar. Kontrollera regelbundet korrekt funktion. Gör aldrig något som stör säkerhetsanordningarnas avsedda funktion eller minskar det skydd som säkerhetsanordningarna ger.**
12. **Lämna inte maskinen obebakad utomhus i regn.**
13. **När maskinen tas i förvar, undvik då direkt solljus och regn, och förvara den på en plats där det inte blir varmt eller fuktigt.**
3. **Ladda inte batteriet i regn eller i fuktiga eller våta utrymmen.**
4. **Ladda inte batteriet utomhus.**
5. **Hantera inte laddaren, däribland laddarstickproppen, och laddarens kopplingar med våta händer.**
6. **Byt inte ut batteriet i regn.**
7. **Låt inte batteripolen bli blöt av vätska som t.ex. vatten, och ha inte batteriet i vätska. Batteriet får inte lämnas i regn, och inte heller laddas, användas eller lagras på ett fuktigt eller vått ställe. Om polen blir våt eller vätska kommer in i batteriet, kan det kortslutas och det finns risk för överhettning, brand eller explosion.**
8. **När batteriet tagits bort från maskinen eller laddaren ska du se till att fästa batterikåpan vid batteriet och förvara det torrt.**
9. **Byt inte ut batteriet med våta händer.**
10. **Undvik farliga miljöer. Använd inte maskinen i fuktiga eller blöta platser och utsätt den inte för regn. Vatten som kommer in i maskinen ökar risken för elektrisk stöt.**
11. **Om batterikassetten blir våt, töm ut vattnet inuti den och torka sedan av den med en torr trasa. Torka batterikassetten helt och hållet på en torr plats före användning.**

#### Användning och underhåll av batteri

1. **Ladda endast med den batteriladdare som angetts av tillverkaren. En laddare som passar en viss typ av batterier kan skapa risk för brand när den används tillsammans med annat batteri.**
2. **Använd endast maskiner tillsammans med tillhörande batterier. Om andra batterier används kan risken för personskada och brand öka.**
3. **När batteriet inte används bör det hållas borta från andra metallföremål som till exempel gem, mynt, nycklar, spik, skruv eller andra små metallföremål som kan skapa anslutning från en terminal till en annan. Kortslutning av batteripolerna kan orsaka brännskador eller brand.**
4. **Under hårda förhållande kan det komma vätska ur batteriet. Undvik kontakt. Spola med vatten om kontakt ändå råkar uppstå. Om vätskan kommer i kontakt med ögonen bör läkare uppsökas. Vätska från batteriet kan orsaka irritation på huden eller ge brännskador.**
5. **Använd inte ett batteripaket eller maskin som är skadat eller ändrat. Skadade eller ändrade batterier kan uppföra sig opålitligt, vilket kan leda till brand, explosion eller skaderisk.**
6. **Utsätt inte batteripaketet eller maskiner för brand eller höga temperaturer. Exponering för brand eller temperaturer över 130 °C kan leda till explosion.**
7. **Följ alla laddningsinstruktioner och ladda inte batteripaketet eller maskinen utanför det temperatintervall som anges i instruktionerna. Felaktig laddning, eller vid temperaturer utanför det angivna intervallet, kan skada batteriet och öka risken för brand.**

#### El- och batterisäkerhet

1. **Släng inte batteriet/batterierna i öppen eld. Cellen kan explodera. Kontrollera de lokala reglerna för att se eventuell särskild avfallshantering.**
2. **Öppna inte eller förstör batteriet/batterierna. Elektrolyt som kommer ut är frätande och kan ge ögon- eller hudskador. Det kan vara giftigt vid förtäring.**

#### Service

1. **Lämna maskinen till en auktoriserad verkstad för service och underhåll med originalreservdelar. Detta garanterar fortsatt säker användning av maskinen.**
2. **Utför aldrig service av skadade batteripaket. Service av skadade batteripaket får endast utföras av tillverkaren eller auktoriserade serviceleverantörer.**

## SPARA DESSA ANVISNINGAR.

**⚠️WARNING: GLÖM INTE** att också fortsättningsvis strikt följa säkerhetsanvisningarna för maskinen även efter att du blivit van att använda den.

Vid **FELAKTIG HANTERING** av maskinen eller om inte säkerhetsanvisningarna i denna bruksanvisning följs kan följden bli allvariga personskador.

### Viktiga säkerhetsanvisningar för batterikassetten

1. **Innan batterikassetten används ska alla instruktioner och varningsmärken på (1) batteriladdaren, (2) batteriet och (3) produkten läsas.**
2. **Montera inte isär eller mixtra med batterikassetten. Det kan leda till brand, överdriven värme eller explosion.**
3. **Om drifttiden blivit avsevärt kortare ska användningen avbrytas omedelbart. Det kan uppstå överhettning, brännskador och t o m en explosion.**
4. **Om du får elektrolyt i ögonen ska de sköljas med rent vatten och läkare uppsökas omedelbart. Det finns risk för att synen förloras.**

5. **Kortslut inte batterikassetten.**
  - (1) Rör inte vid polerna med något strömförande material.
  - (2) Undvik att förvara batterikassetten tillsammans med andra metallobjekt som t.ex. spikar, mynt o.s.v.
  - (3) Skydda batteriet mot vatten och regn. En batterikortslutning kan orsaka ett stort strömlöflöde, överhettning, brand och maskinhaveri.
6. Förvara och använd inte verktyget och batterikassetten på platser där temperaturen kan nå eller överstiga 50 °C.
7. Bränn inte upp batterikassetten även om den är svårt skadad eller helt utsliten. Batterikassetten kan explodera i öppen eld.
8. Spika inte i, krossa, kasta, tappa eller slå batterikassetten mot hårda föremål. Dylåka händelser kan leda till brand, överdriven värme eller explosion.
9. Använd inte ett skadat batteri.
10. De medföljande litiumjonbatterierna är föremål för kraven i gällande lagstiftning för farligt gods. För kommersiella transporter (av t.ex. tredje parter som speditönsfirmor) måste de särskilda transportkrav som anges på emballaget och etiketter iakttagas. För att förbereda den produkt som ska avsändas krävs att du konsulterar en expert på riskmaterial. Var också uppmärksam på att det i ditt land kan finnas ytterligare föreskrifter att följa. Tejpa över eller maskera blottade kontakter och packa batteriet på sådant sätt att det inte kan röra sig fritt i förpackningen.
11. När batterikassetten ska kasseras måste den tas bort från maskinen och kasseras på ett säkert sätt. Följ lokala föreskrifter beträffande avfallshandling av batteriet.
12. Använd endast batterierna med de produkter som specificerats av Makita. Att använda batterierna med ej godkända produkter kan leda till brand, överdriven värme, explosion eller utläckande elektrolyt.
13. Om maskinen inte används under en lång tid måste batteriet tas bort från maskinen.
14. Under och efter användning kan batterikassetten bli het vilket kan orsaka brännskador eller lättare brännskador. Var uppmärksam på hur du hanterar varma batterikassetter.
15. Vidrör inte verktygets kontakter direkt efter användning eftersom de kan bli heta och orsaka brännskador.
16. Låt inte flisor, damm eller smuts fastna i kontaktarna, i håll eller spår i batterikassetten. Det kan leda till att verktyget eller batterikassetten värms upp, fattar eld, går sönder eller inte fungerar som de ska, vilket kan orsaka brännskador eller personskaador.
17. Såvida inte verktyget stöder arbeten i närheten av högspänningsledning får batterikassetten inte användas i närheten av en högspänningsledning. Det kan leda till att verktyget eller batterikassetten går sönder eller inte fungerar korrekt.

18. Förvara batteriet utom räckhåll för barn.

## SPARA DESSA ANVISNINGAR.

**⚠ FÖRSIKTIGT:** Använda endast äkta Makita-batterier. Användning av oäkta Makita-batterier eller batterier som har manipulerats kan leda till person- och utrustningsskaador eller till att batteriet fattar eld. Det upphäver också Makitas garanti för verktyget och laddaren.

## Tips för att uppnå batteriets maximala livslängd

1. Ladda batterikassetten innan den är helt urladdad. Stanna alltid maskinen och ladda batterikassetten när du märker att maskinen blir svagare.
2. Ladda aldrig en fulladdad batterikasset. Överladdning förkortar batteriets livslängd.
3. Ladda batterikassetten vid en rumstemperatur på 10 °C - 40 °C. Låt en varm batterikasset svalna innan den laddas.
4. När batterikassetten inte används ska den tas bort från verktyget eller laddaren.
5. Ladda batterikassetten om du inte har använt den på länge (mer än sex månader).

## MONTERING

**⚠ VARNING:** Se alltid till att ta batterikassetten har tagits bort innan någon form av arbete utförs på maskinen. Underlåtenhet att ta ut batterikassetten kan leda till allvarlig personskaada på grund av oavsiktlig start.

**⚠ VARNING:** Starta aldrig gräsklipparen om den inte är komplett monterad. Användning av en delvis monterad gräsklippare kan leda till allvarlig personskaada på grund av oavsiktlig start.

## Montera batterikåpan

**⚠ VARNING:** Sätt inte i batterikassetten innan du monterat batterikåpan. Det kan orsaka allvarlig personskaada.

Montera batterikåpan helt innan användning. Batterikåpan skyddar gräsklipparen och batterikassetten från lera, smuts och vatten.

1. Placera batterikåpan med gräsklipparens utsprång i linje med batterikåpan's hål.  
▶ Fig.1: 1. Utsprång 2. Hål 3. Batterikåpa
2. Placera händerna mitt på batterikåpan och tryck på den.  
▶ Fig.2
3. Se till att batterikåpan sitter ordentligt fast, och att den är låst på säkert sätt med låsspaken.  
▶ Fig.3: 1. Låsspak

## Montera handtaget

**⚠ FÖRSIKTIGT:** Montera handtaget ordentligt.

**OBSERVERA:** Vid montering av handtagen ska kabeln placeras så att den inte fångas in av någonting mellan handtagen. Om kabeln är skadad kanske inte gräsklipparens startknapp fungerar.

1. Placera båda ändarna av det nedre handtaget i spåren på gräsklipparen, dra åt klämspakarna och fäll sedan ner klämspakarna.

► **Fig.4:** 1. Klämspak 2. Nedre handtaget

När du drar åt klämspakarna ska du dra åt dem tills det precis inte går att se ringarna på spakarna.

► **Fig.5:** 1. Ring

**OBS:** Se till att det inte finns något mellanrum mellan det nedre handtaget och gräsklipparen när klämspakerna har fällts ner.

► **Fig.6**

2. Passa in hålet i det övre handtaget med hålet i det nedre handtaget, sätt i bulten från utsidan, och dra sedan åt den lätttrade muttern från insidan. Utför samma förfarande på den andra sidan.

► **Fig.7:** 1. Lätttrad mutter 2. Bult

**OBS:** Håll det övre handtaget i ett fast grepp så att det inte glider ur handen.

## Ta bort mulchingpluggen

1. Öppna den bakre luckan.

► **Fig.8:** 1. Bakre hölje

2. Håll mulchingpluggen i handtaget och dra ut den från gräsklipparen enligt bilden.

► **Fig.9:** 1. Handtag 2. Mulchingplugg

## Installera eller ta bort gräsuppsamlaren

Följ stegen nedan för att installera gräsuppsamlaren.

1. Öppna den bakre luckan.

► **Fig.10:** 1. Bakre hölje

2. Håll i gräsuppsamlarens handtag och haka sedan fast gräsuppsamlaren på stängen på gräsklipparen enligt figuren.

► **Fig.11:** 1. Stång 2. Handtag 3. Gräsuppsamlare

Ta bort gräsuppsamlaren genom att öppna det bakre höljet och sedan ta ut gräsuppsamlaren med hjälp av handtaget.

## Montera mulchingpluggen

1. Öppna den bakre luckan och ta sedan bort gräsuppsamlaren.

► **Fig.12:** 1. Bakre hölje 2. Gräsuppsamlare

2. Håll mulchingpluggen i handtaget och fäst den på gräsklipparen genom att trycka in den så långt som möjligt enligt bilden.

► **Fig.13:** 1. Handtag 2. Mulchingplugg

## FUNKTIONSBESKRIVNING

**⚠ FÖRSIKTIGT:** Se alltid till att maskinen är avstängd och batterikassetten borttagen innan du justerar maskinen eller kontrollerar dess funktioner.

## Montera eller demontera batterikassetten

**⚠ FÖRSIKTIGT:** Stäng alltid av maskinen innan du monterar eller tar bort batterikassetten.

**⚠ FÖRSIKTIGT:** Håll stadigt i maskinen och batterikassetten när du installerar eller tar bort batterikassetten. I annat fall kan det leda till att maskinen och batterikassetten glider ur händerna på dig och blir skadade och orsakar personskada.

**⚠ FÖRSIKTIGT:** Se till att du läser batterikåpan före användning. I annat fall kan lera, smuts eller vatten orsaka skada på produkten eller batterikassetten.

**⚠ FÖRSIKTIGT:** För alltid in batterikassetten helt tills den röda indikatorn inte längre syns. I annat fall kan den plötsligt lossna från maskinen och skada dig eller någon annan.

**⚠ FÖRSIKTIGT:** Montera inte batterikassetten med våld. Om kassetten inte lätt glider på plats är den felaktigt insatt.

**⚠ FÖRSIKTIGT:** Håll stadigt i batterikåpan när du monterar eller tar bort batterikassetten.

För att montera batterikassetten.

1. Dra upp säkerhetsspärren och öppna sedan batterikåpan.

► **Fig.14:** 1. Batterikåpa 2. Låsspak

2. Rikta in batterikassetten tunga mot öppningen på gräsklipparen. Skjut sedan in kassetten tills den låser fast med ett litet klick.

► **Fig.15:** 1. Batterikasset

3. Stäng batterikåpan ordentligt.

Ta bort batterikassetten från gräsklipparen;

1. Dra upp säkerhetsspärren och öppna batterikåpan.

2. Dra ur batterikassetten från gräsklipparen samtidigt som du skjuter på knappen på kassetten framsida.

3. Stäng batterikåpan.

## Skyddssystem för maskinen/ batteriet

Maskinen är utrustad med ett skyddssystem för maskinen/batteriet. Detta system bryter automatiskt strömmen till motorn för att förlänga maskinens och batteriets livslängd. Maskinen stannar automatiskt under användningen om maskinen eller batteriet hamnar i en av följande situationer.

### Överbelastningsskydd

När maskinen/batteriet används på ett sätt som gör att den drar onormalt mycket ström, stannar maskinen automatiskt och indikatorlampan lyser rött. Om detta sker stänger du av maskinen och upphör med arbetet som gjorde att den överbelastades. Starta därefter upp maskinen igen.

### Överhettningsskydd

När maskinen överhettas stannar maskinen automatiskt och indikatorlampan lyser rött. Låt maskinen svalna innan du startar den igen.

### Överurladdningsskydd

När batterikapaciteten är låg stannar maskinen automatiskt och indikatorlampan lyser rött. Om maskinen inte fungerar trots att brytarna fungerar som de ska tar du bort batteriet från maskinen och laddar det.

### Skydd mot andra orsaker

Skyddssystemet är också utvecklat för att hantera andra orsaker som skulle kunna skada maskinen och tillåter maskinen att stanna automatiskt. Ta följande steg för att åtgärda felet när maskinen stannat temporärt eller stannat helt.

1. Stäng av maskinen och starta sedan upp den igen.
2. Laddning av batteriet/batterierna och ersätt dem med laddade batteri(er).
3. Låt maskinen och batteriet/batterierna svalna.

Om ingen förbättring kan hittas genom att återställa skyddssystemet, kontakta ditt lokala Makita Service Center.

**OBSERVERA:** Om verktyget stannar av en orsak som inte är angiven ovan, se avsnittet Felsökning.

**OBS:** När lampan börjar lysa beror på temperaturen vid arbetsplatsen och på batterikassetens förhållande.

## Indikerar kvarvarande batterikapacitet

► Fig.16: 1. Indikatorlampan

När den återstående batterikapaciteten blir låg blinkar indikatorlampan rött. Vid ytterligare användning stannar maskinen och indikatorlampan lyser rött. Ladda batterikassetten om detta inträffar.

## Indikerar kvarvarande batterikapacitet

Tryck på kontrollknappen på batterikassetten för att se kvarvarande batterikapacitet. Indikatorlamporna lyser i ett par sekunder.

► Fig.17: 1. Indikatorlampor 2. Kontrollknapp

Indikatorlampor			Kvarvarande kapacitet
■ Upplyst	□ Av	▬ Blinkar	
■ ■ ■ ■			75% till 100%
■ ■ ■ □			50% till 75%
■ ■ □ □			25% till 50%
■ □ □ □			0% till 25%
▬ □ □ □			Ladda batteriet.
■ ■ □ □			Batteriet kan ha skadats.
□ □ ■ ■	↑ ↓		

**OBS:** Beroende på användningsförhållanden och den omgivande temperaturen kan indikationen skilja sig lätt från den faktiska batterikapaciteten.

**OBS:** Den första (längst till vänster) indikatorlampan kommer att blinka när batteriskyddssystemet fungerar.

## Avtryckarens funktion

**⚠ VARNING:** Innan du monterar batterikassetten ska du alltid kontrollera att säkerhetsgreppet fungerar korrekt och går tillbaka till ursprungsläget när det släpps. Att använda en maskin med ett felaktigt säkerhetsgrepp kan leda till förlorad kontroll och allvarlig personskada.

**OBS:** Gräsklipparen startar inte utan att startknappen trycks in även om du drar in säkerhetsgreppet.

**OBS:** Det kan hända att gräsklipparen inte startar på grund av överbelastning när du försöker klippa långt eller tätt gräs. Öka i sådant fall kliphöjden.

Maskinen är utrustad med en startknapp. Om du lägger märke till något onormalt med startknappen ska du genast sluta använda maskinen och låta ditt närmaste auktoriserade servicecenter för Makita kontrollera den.

1. Montera batterikassetten och stäng sedan batterikåpan ordentligt.
  2. Dra säkerhetsgreppet mot dig medan du håller ner startknappen. Släpp startknappen när motorn startar.
- Fig.18: 1. Startknapp 2. Säkerhetsgrepp
3. Släpp säkerhetsgreppet för att stanna motorn.

## Justering av klipphöjden

**⚠ VARNING:** Placera aldrig handen eller foten under gräsklipparen när du justerar klipphöjden.

**⚠ VARNING:** Kontrollera alltid att spaken sitter ordentligt i spåret före användning.

Klipphöjden kan justeras mellan 20 mm och 75 mm.

Stäng av maskinen och dra sedan justeringsspaken för klipp höjd ut från gräsklipparen och flytta den till önskad klipp höjd.

► **Fig.19:** 1. Justeringsspak för klipp höjd

I tabellen nedan visas förhållandet mellan numret på gräsklipparstommen och uppskattad klipp höjd.

Nummer	Klipp höjd
1	20 mm
2	29 mm
3	36 mm
4	44 mm
5	53 mm
6	61 mm
7	69 mm
8	75 mm

**OBS:** Klipp höjds siffrorna bör endast användas som en riktlinje. Beroende på gräsmattans eller underlagets förhållanden kan den verkliga klipp höjden skilja sig något från den inställda höjden.

**OBS:** Gör en testklippning i ett mindre synligt område för att få önskad höjd.

## Indikator för gräsnivå

► **Fig.20:** 1. Indikator för gräsnivå

Indikatorn för gräsnivå visar mängden gräs som har klippts.

- Om gräsupsamlaren inte är full flyter indikatorn under klippningen.
- Om gräsupsamlaren är full flyter inte indikatorn under klippningen. Om detta är fallet stoppar du omedelbart klippningen och tömmer uppsamlaren. När du har tömt uppsamlaren rengör du den så att dess gallernät släpper igenom luft.

**OBS:** Denna indikator ger en grov uppskattning. Beroende på förhållandena inuti uppsamlaren fungerar eventuellt inte denna indikator på rätt sätt.

## Justera handtagens höjd

**⚠ FÖRSIKTIGT:** Innan du tar bort bultarna, håll stadigt i det övre handtaget. I annat fall kan handtaget falla och orsaka skador.

Det går att justera höjden på handtaget i två nivåer.

1. Lossa handtagets lätttrade muttrar och ta sedan bort bultarna och de lätttrade muttrarna.

► **Fig.21:** 1. Lätttrad mutter

2. Justera handtagens höjd.

3. Sätt i bultarna från utsidan och dra åt de lätttrade muttrarna från insidan.

## Använda mulchingpluggen

Med mulchingpluggen kan du lämna det klippta gräset på marken utan att samla upp gräset i gräsupsamlaren. När du använder maskinen med mulchingpluggen måste du se till att ta bort gräsupsamlaren.

**OBSERVERA:** När maskinen används med mulchingpluggen måste du se till att gräsets totala längd efter klippning är 30 mm eller mer, och att den kapade längden är 15 mm eller mindre.

► **Fig.22:** (1) 30 mm eller mer (2) 15 mm eller mindre

## ANVÄNDNING

### Gräsklippning

**⚠ VARNING:** Före gräsklippningen ska alla pinnar och stenar i klippområdet tas bort. Ta också bort ogräs i förväg.

**⚠ VARNING:** Bär alltid korgglasögon eller skyddsglasögon med sidoskydd när du använder gräsklipparen.

**⚠ FÖRSIKTIGT:** Om klippt gräs eller främmande föremål täpper till inuti gräsklipparen, se då till att ta bort batterikassetterna och ha handskar på innan du tar bort gräset eller det främmande föremålet.

**OBSERVERA:** Använd endast denna maskin för att klippa gräsmattor. Klipp inte ogräs med denna maskin.

► **Fig.23**

Håll stadigt i handtaget med båda händerna vid gräsklippningen.

Riktlinjen för gräsklippning är ca 2 till 4 sekunder per 1 meter.

► **Fig.24**

**OBS:** När du klipper en lång eller tät gräsmatta och gräsmattan är ojämn eller ytan är dålig efter klippning, eller om motorhastigheten minskar under klippningen, ska du minska klipp hastigheten till en hastighet som är lägre än den som rekommenderas i denna bruksanvisning eller höja klipp höjden.

Framhjulets centrulinjer är klippbreddens riktlinje. Använd centrulinjerna som riktlinjer, klipp i rader. Överlappa med en halv till en tredjedel på tidigare rad för att klippa gräsmattan jämnt.

► **Fig.25:** 1. Klippbredd 2. Överlappande område 3. Centrulinje

Ändra klippriktning varje gång för att förhindra mönster i gräsmattan i bara en riktning.

► **Fig.26**

Kontrollera regelbundet att gräsupsamlaren inte är full. Töm gräsupsamlaren innan den är full. Se till att stoppa och stänga av maskinen innan varje regelbunden kontroll.

**OBSERVERA:** Användning av gräsklipparen med en full gräsupsamlare förhindrar smidig knivrotation och lägger en extra belastning på motorn, vilket kan orsaka motorstopp.



## Klippning av högt gräs

Försök inte att klippa högt gräs på en och samma gång. Istället klipper du gräsmattan i omgångar. Klipp med en eller två dagars mellanrum tills gräsmattan är jämnt klippt.

**OBS:** Att klippa högt gräs kort på en och samma gång kan leda till att gräset dör. Det klippta gräset kan också täppa igen undersidan av gräsklipparen.

## Tömma gräsupsamlaren

**⚠ VARNING:** För att undvika risken för olyckor ska gräsupsamlaren kontrolleras regelbundet så att skada eller försvagning inte har uppstått. Byt ut gräsupsamlaren om så krävs.

1. Släpp säkerhetsgreppet.
2. Ta bort batterikassetten.
3. Öppna det bakre höljet och ta ut gräsupsamlaren med hjälp av handtaget.  
► **Fig.27:** 1. Bakre hölje 2. Handtag
4. Töm gräsupsamlaren.

## UNDERHÅLL

**⚠ VARNING:** Se alltid till att batterikassetten tas bort från maskinen innan du tar den i förvar, bär den eller försöker utföra kontroll eller underhåll på den.

**⚠ VARNING:** Bär handskar vid kontroll eller underhåll.

**⚠ VARNING:** Bär alltid korgglasögon eller skyddsglasögon med sidoskydd när du utför kontroll eller underhåll.

**OBSERVERA:** Använd inte bensin, förtunningsmedel, alkohol eller liknande. Missfärgning, deformation eller sprickor kan uppstå.

För att upprätthålla produktens SÄKERHET och TILLFÖRLITLIGHET bör allt underhålls- och justeringsarbete utföras av ett auktoriserat Makita servicecenter och med reservdelar från Makita.

## Underhåll

1. Ta bort batterikassetten och stäng sedan batterikåpan.
2. Lägg gräsklipparen på sidan. Rensa bort gräsklipp som samlats på undersidan av gräsdäcket.
3. Håll vatten mot botten av maskinen som kniven sitter fast på.

**OBSERVERA:** Tvätta inte av maskinen med högtrycksvattenstråle.

4. Kontrollera åtdragningen av alla muttrar, bultar, skruvar osv.
5. Kontrollera om klippdelar är skadade, trasiga eller utslitna. Skadade eller saknade delar bör repareras eller bytas ut.
6. Förvara gräsklipparen på en säker plats utom räckhåll för barn.

## Förvaring

**⚠ FÖRSIKTIGT:** Om gräsklipparen placeras i upprätt läge ska den placeras på en plan och stabil yta. Om maskinen placeras på en instabil yta kan den välta och orsaka personskador.

Förvara gräsklippare inomhus på en kall, torr och låst plats. Förvara inte gräsklipparen och laddaren på platser där temperaturen kan nå eller överstiga 40 °C.

1. Ta bort batterikassetten.
2. Ta bort gräsupsamlaren.
3. Fäll upp klämspakarna, fäll ner handtaget och fäll sedan ner klämspakarna.  
► **Fig.28:** 1. Klämspak
4. Lossa de lätttrade muttrarna på handtaget och fäll sedan ner det övre handtaget.  
► **Fig.29:** 1. Lättrad mutter 2. Övre handtaget
5. Placera maskinen i upprätt läge.

**OBS:** När du placerar gräsklipparen i upprätt läge ska du inte bara hålla i handtaget, utan hålla i både själva gräsklipparen och handtaget.

6. Förvara gräsupsamlaren mellan handtaget och gräsklipparen.  
► **Fig.30:** 1. Gräsupsamlare

## Bära gräsklipparen

**⚠ FÖRSIKTIGT:** Se till att batterikassetten har tagits bort innan du bär gräsklipparen.

När du bär gräsklipparen ska du hålla i det bakre handtaget och den nedre hälldelen på framsidan av maskinen enligt bilden.

- **Fig.31:** 1. Nedre hälldel 2. Bakre handtaget

## Ta bort eller montera gräsklipparkniven

**⚠ VARNING:** Ta alltid bort batterikassetten innan kniven tas bort eller monteras. Underlåtenhet att ta bort batterikassetten kan orsaka allvarlig personskada.

**⚠ VARNING:** Kniven snurrar i några sekunder efter att säkerhetsgreppet har släppts. Påbörja inget arbete med kniven förrän den har stannat helt.

**⚠ VARNING:** Bär alltid handskar när du hanterar kniven.

## Ta bort gräsklipparkniven

1. Placera gräsklipparen på sidan så att justerings-spaken för klipphöjd är vänd uppåt.
2. Läs knivens rotation genom att sätta i ett stift eller ett verktyg, t.ex. en skruvmejsel, i hålet på gräsklipparen.
3. Vrid bulten moturs med nyckeln.  
► **Fig.32:** 1. Gräsklipparkniv 2. Nyckel 3. Skruvmejsel 4. Hål
4. Ta bort bulten och kniven i ordning.  
► **Fig.33:** 1. Knivsupport 2. Gräsklipparkniv 3. Bult

## Installera gräsklipparkniven

Montera gräsklipparkniven genom att följa borttagningsproceduren i omvänd ordning.

**⚠ VARNING:** Montera gräsklipparkniven försiktigt. Den har en sida som ska vara uppåt och en som ska vara nedåt.

**⚠ VARNING:** Dra åt bulten medurs ordentligt för att fästa kniven.

**⚠ VARNING:** Se till att gräsklipparkniven och alla fixeringsdelarna monteras korrekt och dras åt ordentligt.

**⚠ VARNING:** När du byter ut knivarna ska du alltid följa anvisningarna i denna bruksanvisning.

## FELSÖKNING

Innan du ber om reparation ska du först utföra en egen kontroll. Om du hittar ett problem som inte finns förklarat i bruksanvisningen ska du inte försöka att montera isär maskinen. Fråga istället ett auktoriserad servicecenter för Makita, och använd alltid reservdelar från Makita för reparationer.

Feltillstånd	Trolig orsak (felfunktion)	Åtgärd
Gräsklipparen startar inte.	Batterikassetten är inte installerad.	Sätt in en laddad batterikasset.
	Batteriproblem (underspänning)	Ladda batterikassetten på nytt. Om laddning inte hjälper byter du ut batterikassetten.
Motorn stannar efter en kort stunds användning.	Batterinivån är låg.	Ladda batterikassetten på nytt. Om laddning inte hjälper byter du ut batterikassetten.
	Klipphöjden är för låg.	Öka klipphöjden.
Motorn når inte det maximala varvtalet.	Batterikassetten är felaktigt insatt.	Sätt in batterikassetten enligt anvisningarna i denna bruksanvisning.
	Batterinivån sjunker.	Ladda batterikassetten på nytt. Om laddning inte hjälper byter du ut batterikassetten.
	Drivsytstemet fungerar inte som det ska.	Lämnä in till ditt lokala auktoriserade servicecenter för reparation.
Gräsklipparkniven roterar inte: ⇒ stoppa gräsklipparen omedelbart!	Ett främmande föremål som t.ex. en gren har fastnat nära kniven.	Ta bort det främmande föremålet.
	Drivsytstemet fungerar inte som det ska.	Lämnä in till ditt lokala auktoriserade servicecenter för reparation.
Onormal vibration: ⇒ stoppa gräsklipparen omedelbart!	Kniven är obalanserad, överdrivet eller ojämnt utsliten.	Byt ut kniven.

## VALFRJA TILLBEHÖR

**⚠ FÖRSIKTIGT:** Följande tillbehör eller tillsatser rekommenderas för användning med den Makita-maskin som denna bruksanvisning avser. Om andra tillbehör eller tillsatser används kan det uppstå risk för personskador. Använd endast tillbehören eller tillsatserna för de syften de är avsedda för.

Kontakta ditt lokala Makita servicecenter om du behöver ytterligare information om dessa tillbehör.

- Gräsklipparkniv
- Makitas originalbatteri och laddare

**OBS:** Några av tillbehören i listan kan vara inkluderade i produktpaketet som standardtillbehör. De kan variera mellan olika länder.



## TEKNISKE DATA

<b>Modell:</b>		<b>LM003G</b>	<b>LM004G</b>
Kuttebredde (knivdiameter)		380 mm	430 mm
Hastighet uten belastning		3 800 min <sup>-1</sup>	
Delenummer for reserve gressklipperkniv	Rett gressklipperkniv	1913G8-3	1913H4-8
	Knivblad for bioklipping	1913H0-6	1913H6-4
Mål (L x B x H)	ved bruk	L: 1 370 mm til 1 420 mm B: 450 mm H: 990 mm til 1 020 mm	L: 1 390 mm til 1 440 mm B: 460 mm H: 990 mm til 1 020 mm
	ved lagring (uten gresskurven)	520 mm x 450 mm x 880 mm	520 mm x 460 mm x 885 mm
Merkespenning		DC 36 V - 40 V maks	
Nettovekt		14,9 - 17,3 kg	15,6 - 18,2 kg
Beskyttelsesgrad		IPX4	

- På grunn av vårt kontinuerlige forsknings- og utviklingsprogram kan spesifikasjonene som oppgis i dette dokumentet endres uten varsel.
- Spesifikasjonene kan variere fra land til land.
- Vekten kan variere avhengig av tilbehøret/tilbehørene, inkludert batteriet. Den letteste og tyngste kombinasjonen, i henhold til EPTA-prosedyre 01/2014, vises i tabellen.

## Passende batteri og lader

Batteriinsats	BL4020* / BL4025* / BL4040* / BL4050F* / BL4080F* * : Anbefalt batteri
Lader	DC40RA / DC40RB / DC40RC







- Noen av batteriene og laderne som er opplistet ovenfor er kanskje ikke tilgjengelige, avhengig av hvor du bor.

**⚠ ADVARSEL: Bruk kun de batteriene og laderne som er opplistet ovenfor.** Bruk av andre batterier og ladere kan føre til personskader og/eller brann.

**⚠ ADVARSEL: Ikke bruk en kablet strømforsyning som batteriadapter eller bærbar lader med denne maskinen.** Strømforsyningens kabel kan komme i veien under bruk og føre til personskade.

## Symboler

Nedenfor ser du symbolene som kan brukes for dette utstyret. Forviss deg om at du forstår hva de betyr, før du begynner å bruke maskinen.

	Vær spesielt forsiktig og oppmerksom.
	Les bruksanvisningen.
	Vær oppmerksom på at objekter kan bli kastet ut.
	Avstanden mellom maskinen og andre personer enn operatøren må være minst 15 m.
	Plasser aldri hender og føtter nær gressklipperkniven under gressklipperen. Gressklipperknivene fortsetter å rotere etter at motoren er slått av.
	Advarsel: Koble fra batteriet før vedlikehold.



Kun for EU-land

På grunn av forekomst av farlige komponenter i utstyret, kan avfall fra elektrisk og elektronisk utstyr, akkumulatører og batterier ha en negativ innvirkning på miljøet og menneskers helse.

Ikke kast elektriske og elektroniske apparater eller batterier sammen med husholdningsavfall!

I samsvar med det europeiske direktivet om avfall fra elektrisk og elektronisk utstyr og om akkumulatører og batterier samt akkumulatører og batterier som skal kastes, samt deres tilpasning til nasjonal lovgivning, skal brukt elektrisk utstyr samt brukte batterier og akkumulatører samles inn separat og leveres til et eget innsamlingssted for kommunalt avfall, som driver virksomhet i samsvar med miljøvernforordningene.

Dette er angis av symbolet med den overkryssede avfallsbeholderen som er plassert på utstyret.



Garantert lydeffektnivå i henhold til EU-direktivet om støy fra utstyr til utendørs bruk.



## Riktig bruk

Denne maskinen er kun laget for gressklipping.

## Støy

Typisk A-vektet lydtryknivå er bestemt i henhold til EN62841-4-3:

### Modell LM003G

Målt lydeffektivnivå ( $L_{WA}$ ): 90 dB (A)  
Garantert lydeffektivnivå ( $L_{WA}$ ): 93 dB (A)  
Lydtryknivå ( $L_{pA}$ ): 83 dB (A)  
Usikkerhet for lydtryknivå (K): 3 dB (A)

### Modell LM004G

Målt lydeffektivnivå ( $L_{WA}$ ): 90 dB (A)  
Garantert lydeffektivnivå ( $L_{WA}$ ): 93 dB (A)  
Lydtryknivå ( $L_{pA}$ ): 81 dB (A)  
Usikkerhet for lydtryknivå (K): 3 dB (A)

**MERK:** Den/de oppgitte verdien(e) for genererte vibrasjoner har blitt målt i henhold til standard testmetoder, og kan bli brukt til å sammenligne ett verktøy med et annet.

**MERK:** Den/de angitte verdien(e) for de genererte vibrasjonene kan også brukes til en foreløpig vurdering av eksponeringen.

**⚠ ADVARSEL:** Bruk hørselsvern.

**⚠ ADVARSEL:** De genererte vibrasjonene ved faktisk bruk av elektroverktøyet kan avvike fra den/de angitte vibrasjonsverdien(e), avhengig av hvordan verktøyet brukes.

**⚠ ADVARSEL:** Sørg for å identifisere vernetiltak for å beskytte operatøren, som er basert på et estimat av eksponeringen under de faktiske bruksforholdene (idet det tas hensyn til alle deler av driftssyklusen, dvs. hvor lenge verktøyet er slått av, hvor lenge det går på tomgang og hvor lenge startbryteren faktisk holdes trykket).

## Vibrasjoner

Den totale vibrasjonsverdien (triaksial vektorsum) bestemt i henhold EN62841-4-3:

### Modell LM003G

Genererte vibrasjoner ( $a_h$ ): 2,5 m/s<sup>2</sup> eller mindre  
Usikkerhet (K): 1,5 m/s<sup>2</sup>

### Modell LM004G

Genererte vibrasjoner ( $a_h$ ): 2,5 m/s<sup>2</sup> eller mindre  
Usikkerhet (K): 1,5 m/s<sup>2</sup>

**MERK:** Den/de oppgitte verdien(e) for totalt genererte vibrasjoner har blitt målt i henhold til standard testmetoder, og kan bli brukt til å sammenligne ett verktøy med et annet.

**MERK:** Den/de angitte verdien(e) for totalt genererte vibrasjoner kan også brukes til en foreløpig vurdering av eksponeringen.

**⚠ ADVARSEL:** De genererte vibrasjonene ved faktisk bruk av elektroverktøyet kan avvike fra den/de angitte vibrasjonsverdien(e), avhengig av hvordan verktøyet brukes og spesielt i forhold til arbeidsstykket som blir behandlet.

**⚠ ADVARSEL:** Sørg for å identifisere vernetiltak for å beskytte operatøren, som er basert på et estimat av eksponeringen under de faktiske bruksforholdene (idet det tas hensyn til alle deler av driftssyklusen, dvs. hvor lenge verktøyet er slått av, hvor lenge det går på tomgang og hvor lenge startbryteren faktisk holdes trykket).

## Samsvarserklæringer

### Gjelder kun for land i Europa

Samsvarserklæringene er lagt til som vedlegg A i denne bruksanvisningen.

## SIKKERHETSADVARSEL

### Generelle advarsler angående sikkerhet for elektroverktøy

**⚠ ADVARSEL** Les alle sikkerhetsadvarsler, instruksjoner, illustrasjoner og spesifikasjoner som følger med dette elektroverktøyet. Hvis ikke alle instruksjonene nedenfor følges, kan det føre til elektrisk støt, brann og/eller alvorlig personskade.

### Oppbevar alle advarsler og instruksjoner for senere bruk.

Uttrykket «elektrisk verktøy» i advarslene refererer både til elektriske verktøy (med ledning) tilkoblet strømmettet, og batteridrevne verktøy (uten ledning).

### Sikkerhetsadvarsler for batteridrevet gressklipper

1. **Ikke bruk gressklipperen under dårlige værforhold, spesielt hvis det er fare for lyn.** Dette reduserer faren for å bli truffet av lyn.
2. **Undersøk området der du skal bruke gressklipperen grundig med tanke på dyreliv.** Dyr kan bli skadet av gressklipperen under bruk.
3. **Undersøk området der du skal bruke gressklipperen grundig, og fjern alle steiner, kvister, ståltråder, bein og andre fremmedlegemer.** Gjenstander som folk har kastet fra seg kan forårsake personskader.
4. **Før du bruker gressklipperen må du alltid undersøke visuelt at bladet og bladensheten ikke er slitt eller skadet.** Slitte eller skadede deler øker faren for personskader.
5. **Kontroller gressfangeren ofte for slitasje eller skader.** En slitt eller skadet gressfanger øker faren for personskader.
6. **Sørg for at vernene er på plass.** Vernene må være i fungerende stand og montert på riktig måte. Hvis et vern er løst, skadet eller ikke fungerer som det skal, kan det forårsake personskader.

7. **Hold alle kjøleluftinntak frie for smuss.** Blokkerte luftinntak og rusk kan føre til overoppheting eller fare for brann.
8. **Bruk alltid sklisikkert vernefottøy når du bruker gressklipperen. Ikke bruk gressklipperen barbeint eller med åpne sandaler.** Dette reduserer faren for skade på føttene som følge av kontakt med bladet i bevegelse.
9. **Ha alltid på deg langebukser når du bruker gressklipperen.** Bar hud øker sannsynligheten for skade som følge av flygende gjenstander.
10. **Ikke bruk gressklipperen i vått gress. Gå, løp aldri.** Da reduserer du faren for å skli og falle, noe som kan føre til personskader.
11. **Ikke bruk gressklipperen i svært bratte bakker.** Da reduserer du faren for å miste kontrollen, skli eller falle, noe som kan føre til personskader.
12. **Når du jobber i bakker, må du alltid ha godt fotfeste, alltid jobbe på tvers av bakken, aldri opp eller ned og utvise ekstrem forsiktig når du endrer retning.** Da reduserer du faren for å miste kontrollen, skli eller falle, noe som kan føre til personskader.
13. **Vær svært forsiktig når du rygger eller trekker gressklipperen mot deg. Vær alltid oppmerksom på omgivelsene.** Dette reduserer faren for å snuble under bruk.
14. **Ikke ta på blader og andre farlige bevegelige deler mens de fremdeles er i bevegelse.** Dette reduserer faren for personskader som følge av bevegelige deler.
15. **Når du skal fjerne materiale som sitter fast eller rengjøre gressklipperen, må du kontrollere at alle strømbrytere er slått av og at batteriet er frakoblet.** Hvis gressklipperen plutselig beveger seg, kan det føre til alvorlige personskader.

## TA VARE PÅ DISSE INSTRUKSENE.

**⚠ ADVARSEL:** IKKE LA hensynet til hva som er "behagelig" eller det faktum at du kjenner produktet godt (etter mange gangers bruk) gjøre deg mindre oppmerksom på sikkerhetsreglene for bruken av det aktuelle produktet.

Ved MISBRUK eller hvis ikke sikkerhetsreglene i denne bruksanvisningen følges, kan det oppstå alvorlig personskade.

## VIKTIGE SIKKERHETSINSTRUKSJONER

**⚠ ADVARSEL:** Les alle sikkerhetsadvarslene og alle instruksjonene. Hvis du ikke følger alle advarslene og instruksjonene som er oppført nedenfor, kan det føre til elektriske støt, brann og/eller alvorlige helseskader.

## Oppbevar alle advarsler og instruksjoner for senere bruk.

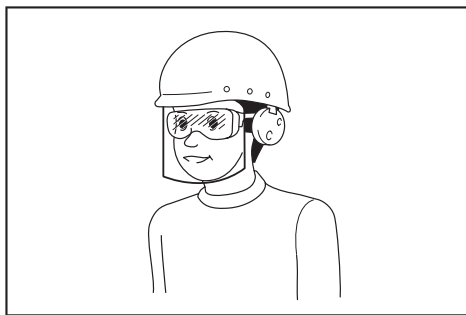
### Opplæring

1. Les nøye gjennom bruksanvisningen. Gjør deg kjent med kontrollene, og sett deg inn i hvordan gressklipperen fungerer.

2. La aldri barn eller personer som ikke er kjent med denne bruksanvisningen bruke gressklipperen. Lokale bestemmelser kan omfatte aldersgrenser for bruk av utstyret.
3. Aldri bruk gressklipperen mens uvedkommende (særlig barn og kjøledyr) er tilstede.
4. Vær oppmerksom på at operatøren eller brukeren er ansvarlig for ulykker eller skader som berører andre personer eller deres eiendom.
5. Barn skal holdes under tilsyn for å sikre at de ikke leker med gressklipperen.
6. Fysisk form - Bruk ikke gressklipperen under påvirkning av narkotika, alkohol eller noen medikamenter.

### Klargjøring

1. Bruk alltid solid fottøy og lange benklær når gressklipperen brukes. Ikke bruk gressklipperen barbeint eller med åpne sandaler. Unngå klær og smykker som er løse eller har hengende snorer eller bånd. De kan sette seg fast i bevegelige deler.
2. Før bruk skal gressklipperen alltid kontrolleres visuelt med tanke på skade, manglende eller feilplasserte vern eller skjermer.
3. Sørg for at ingen andre personer befinner seg på området før du begynner å klippe. Stans gressklipperen hvis noen kommer inn på området.
4. Bruk alltid vernebriller for å beskytte øynene mot skade når du bruker elektroverktøy. Brillene må oppfylle kravene i ANSI Z87.1 i USA, EN 166 i Europa eller AS/NZS 1336 i Australia/New Zealand. I Australia/New Zealand er det dessuten lovpålagt å bruke et ansiktsvern for å beskytte ansiktet.



Det er arbeidsgivers ansvar å påse at verktøyoperatørene og alle andre personer i arbeidsområdet umiddelbare nærhet bruker riktig verneutstyr.

5. Før bruk må du kontrollere nøye at knivene eller knivboltene ikke har sprekker eller andre skader. Skift ut sprukne eller ødelagte kniver eller knivbolter omgående.
6. Før bruk av gressklipperen, fjern fremmedlegemer fra arbeidsområdet, som for eksempel steiner, ledninger, flasker, bein og store pinner, for å hindre helseskade eller skade på gressklipperen.
7. Gjenstander som slår mot gressklipperen, kan forårsake alvorlig helseskade. Plenen bør alltid undersøkes nøye og alle objekter fjernes før hver klipping.

8. **Se opp for hull, furer, dumper, steiner eller andre skjulte gjenstander.** Ujevnt terreng kan forårsake en skli- og fallulykke. Høyt gress kan skjule gjenstander.
9. **Bruk personlig verneutstyr. Bruk alltid beskyttelsesbriller.** Verneutstyr som for eksempel støvmaske, sklisikre vernesko, hjelm og hørselsvern reduserer faren for personskader når det brukes riktig.

#### Bruk

1. **Ikke strekk deg for langt. Pass alltid på at du holder balansen. Sørg alltid for å ha godt fotfeste i skråninger. Gå, løp aldri.**
2. **Stopp gressklipperen og slå av maskinen, og kontroller at alle bevegelige deler har stoppet helt opp:**
  - alltid når du forlater gressklipperen,
  - før du fjerner ting som har satt seg fast eller renser rennen,
  - før kontroll, rengjøring eller arbeid på gressklipperen,
  - etter at du har slått borti et fremmedlegeme. Kontroller gressklipperen med tanke på skade, og reparer før ny oppstart og bruk av gressklipperen,
  - når utstyret begynner å vibrere unormalt kraftig.
3. **Aldri bruk en gressklipper som har defekte vern eller beskyttelse, eller som ikke har sikkerhetsutstyr som for eksempel deflektorer og/eller gresskurv på plass.**
4. **Unngå å bruke gressklipperen under dårlige værforhold, spesielt hvis det er fare for lyn.**
5. **Du må alltid ha på deg vernebriller og solide sko når du bruker gressklipperen.**
6. **Gressklipperen skal kun brukes i dagslys eller ved god kunstig belysning.**
7. **Start gressklipperen forsiktig i henhold til instruksjonene og hold føttene på god avstand fra bladene.**
8. **Ta nødvendige forholdsregler for å unngå at gressklipperknivene skader føtter eller hender.**
9. **Pass på at ventilasjonsåpningene alltid holdes fri for rusk og rask.**
10. **Klipp på tvers av skråninger, aldri oppover og nedover. Vær svært forsiktig under endring av retning i skråninger. Ikke klipp altfor bratte skråninger.**
11. **Vær svært forsiktig når du rygger eller trekker gressklipperen mot deg.**
12. **Stans bladene hvis gressklipperen må skråstilles for transportering, ved kryssing av overflater som ikke er gress og under transportering av gressklipperen til og fra området der den skal brukes.**
13. **Ikke skråstill gressklipperen når motoren slås på, unntatt når gressklipperen må skråstilles for oppstart. I så fall må den ikke skråstilles mer enn absolutt nødvendig, og det er bare delen som er vendt bort fra brukeren som skal løftes. Forsikre deg alltid om at begge hendene er i arbeidsstilling før du setter gressklipperen tilbake på bakken.**
14. **Ikke plasser hender og føtter nær eller under roterende deler. Hold avstand fra avløpsåpningen til enhver tid.**
15. **Ikke transporter gressklipperen mens den er påslått.**
16. **Unngå å bruke gressklipperen på vått gress.**
17. **Hold alltid godt fast i håndtaket.**
18. **Ikke grip tak i skjæreblader eller skjærekanten når du plukker opp eller holder i gressklipperen.**
19. **Hold hender og føtter i god avstand fra de roterende bladene. Forsiktig - knivene fortsetter å rotere etter at gressklipperen er slått av.**
20. **Stans arbeidet umiddelbart dersom du legger merke til noe uvanlig. Slå av gressklipperen. Inspiser gressklipperen.**
21. **Du må aldri justere kutteøyden mens gressklipperen svinger hvis gressklipperen er utstyrt med funksjonen for justering av kutteøyde.**
22. **Slipp startbryteren og vent til knivene slutter å rotere før du krysser oppkjørsler, stier, veier og alle grusbelagte områder. I tillegg må du slå av maskinen hvis du forlater gressklipperen, skal plukke opp noe eller fjerne noe som ligger i veien, eller hvis noe av en eller annen grunn avleder deg fra det du holder på med.**
23. **Hvis gressklipperen slår mot et fremmedlegeme, følger du disse trinnene:**
  - Stans gressklipperen, slipp startbryteren og vent til bladene stanser helt.
  - Ta ut batteriet.
  - Undersøk gressklipperen nøye for skader.
  - Erstatt bladet om det på noen måte skulle være skadet. Reparer alle skader før ny oppstart og fortsatt bruk av gressklipperen.
24. **Ikke start gressklipperen mens du står foran avløpsåpningen.**
25. **Hvis gressklipperen begynner å vibrere uvanlig mye (undersøk umiddelbart)**
  - inspisér for skader,
  - skift ut eller reparér enhver skadet del,
  - kontroller og stram enhver løs del.
26. **Du må aldri rette materiale som kommer ut mot andre personer. Unngå å rette materiale som kommer ut mot en vegg eller hindring. Materiale kan bli slynget tilbake mot operatøren. Stopp kniven når du krysser grusunderlag.**
27. **Ikke dra gressklipperen bakover med mindre det er helt nødvendig. Når du er nødt til å rygge gressklipperen bort fra et gjerde eller lignende, ser du ned og bak deg før og mens du beveger deg bakover.**
28. **Slå av motoren, og vent til kniven stopper helt opp før du tar av gressfangeren. Vær oppmerksom på at knivene beveger seg selv om gressklipperen er slått av.**
29. **Når du bruker maskinen på gjørmete underlag, i våte bakker eller på glatte steder, må du passe på at du ikke mister fotfestet.**
30. **Ikke senk maskinen ned i en vannpytt.**
31. **Når du bruker maskinen, må du være oppmerksom på rør og ledninger.**

## Vedlikehold og oppbevaring

1. **Erstatt slitte og skadete deler for å trygge sikkerheten. Bruk kun originale reservedeler og tilbehør.**
2. **Kontroller og vedlikehold gressklipperen regelmessig.**
3. **Når gressklipperen ikke er i bruk, må den holdes utenfor barns rekkevidde.**
4. **Pass på at alle muttere, bolter og skruer sitter fast for å sikre at utstyret er i god stand.**
5. **Sjekk gresskurven ofte for slitasje eller skader. For oppbevaring må du alltid sørge for at gresskurven er tom. Av hensyn til sikkerhet må en slitt gresskurv alltid skiftes ut med en ny fabrikkprodusert gresskurv.**
6. **Bruk kun produsentens originale blader som spesifisert i denne bruksanvisningen.**
7. **Vær forsiktig under justering av gressklipperen slik at fingrene ikke befinner seg mellom roterende blader og gressklipperens faste deler.**
8. **Kontroller hyppig at bladets festebolt sitter ordentlig fast.**
9. **La alltid gressklipperen avkjøles før den settes til oppbevaring.**
10. **Under service på bladene, vær oppmerksom på at selv om strømkilden er avslått, kan bladene fremdeles bevege seg.**
11. **Du må aldri fjerne eller klusse med sikkerhetsutstyr. Kontroller regelmessig at det fungerer som det skal. Du må aldri gjøre noe for å hindre den tiltenkte funksjonen til sikkerhetsutstyr eller for å redusere beskyttelsen som sikkerhetsutstyr gir.**
12. **Ikke etterlat maskinen uten tilsyn utendørs når det regner.**
13. **Ved oppbevaring av maskinen skal du unngå direkte sollys og regn, og den skal oppbevares på et sted som ikke blir varmt eller fuktig.**

## Bruk og vedlikehold av batteridrevne maskiner

1. **Batteriet må kun lades opp igjen med en lader spesifisert av produsenten.** En lader som passer til én batteritype, kan være brannfarlig når den brukes med en annen batteritype.
2. **Bruk elektroverktøy kun med spesifikt angitte batterier.** Hvis det brukes et hvilket som helst annet batteri, kan dette utgjøre en fare for helseskader og brann.
3. **Når batteriet ikke er i bruk, må du holde verktøyet unna metallgjenstander som f.eks. binders, mynter, nøkler, spiker, skruer og andre små metallgjenstander som kan skape forbindelse mellom de to polene.** Hvis batteripolene kortsluttes, kan du få brannskader, eller det kan begynne å brenne.
4. **Hvis batteriet utsettes for hardhendt bruk, kan det lekke væske fra batteriet. Unngå kontakt med væsken.** Hvis du kommer i kontakt med batterivæsken, må du skylle med vann. Hvis du får batterivæske i øynene, må du i tillegg oppsøke lege. Væske som kommer ut av batteriet, kan forårsake irritasjon eller forbrenninger.
5. **Ikke bruk et batteri eller verktøy som er skadet eller endret på.** Batterier som er skadet eller endret på kan oppføre seg upålitelig og medføre brann, eksplosjon eller fare for personskader.

6. **Et batteri eller verktøy må ikke utsettes for brann eller for høy temperatur.** Brann eller en temperatur over 130 °C kan forårsake eksplosjon.
7. **Følg alle ladeinstruksjoner, og ikke lad batteriet eller verktøyet utenfor temperaturområdet som er angitt i instruksjonene.** Feil lading eller ved temperaturer utenfor det angitte området, kan skadet batteriet og øke faren for brann.

## Elektrisk sikkerhet og batterisikkerhet

1. **Ikke kast batteriet (batteriene) på åpen ild.** Cellen kan eksplodere. Batterier skal leveres til en forhandler av elektroutstyr eller til et kommunalt avfallsmottak.
2. **Ikke åpne eller ødelegg batteriet (batteriene).** Elektrolytt som lekker ut er korroderende, og kan forårsake skader på øyne og hud. Den kan være giftig hvis den svelges.
3. **Ikke skift batteri når det regner, eller i fuktige omgivelser.**
4. **Ikke lad batteriet utendørs.**
5. **Ikke håndter laderen, inkludert laderstøpset og laderterminalene, med våte hender.**
6. **Ikke skift ut batteriet når det regner.**
7. **Ikke la batteriklemmen komme i kontakt med væske som f.eks. vann, og batteriet må heller ikke senkes ned i vann.** Ikke la batteriet stå ute i regnet, og du må heller ikke lade, bruke eller oppbevare batteriet på et fuktig eller vått sted. Hvis klemmen blir våt, eller hvis væske trenger inn i batteriet, kan batteriet kortslutte, og det er fare for overoppheting, brann eller eksplosjon.
8. **Når du har tatt batteriet ut av maskinen eller laderen, må du feste batteridekselet på batteriet og oppbevare det på et tørt sted.**
9. **Ikke skift ut batteriet med våte hender.**
10. **Unngå farlige miljøer.** Ikke bruk maskinen i fuktige eller våte omgivelser, og ikke utsett den for regn. Hvis det kommer vann inn i maskinen, øker risikoen for elektriske støt.
11. **Hvis batteriinnsetningen blir våt, tøm ut vannet på innsiden og tørk av med en tørr klut. Tørk batteriinnsetningen helt på et tørt sted før bruk.**

## Service

1. **La en kvalifisert reparatør utføre service på det elektriske verktøyet ditt, og se til at vedkommende kun bruker originale reservedeler.** Dette vil opprettholde sikkerheten til det elektriske verktøyet.
2. **Aldri foreta service på skadde batterier.** Service på batterier skal kun utføres av produsenten eller godkjente serviceleverandører.

## TA VARE PÅ DISSE INSTRUKSENE.

**⚠ADVARSEL:** IKKE LA hensynet til hva som er "behagelig" eller det faktum at du kjenner produktet godt (etter mange gangers bruk) gjøre deg mindre oppmerksom på sikkerhetsreglene for bruken av det aktuelle produktet.

Ved MISBRUK eller hvis ikke sikkerhetsreglene i denne bruksanvisningen følges, kan det oppstå alvorlig personskade.

## Viktige sikkerhetsanvisninger for batteriinnsetts

1. Før du begynner å bruke batteriet, må du lese alle anvisninger og forsiktighetsregler på (1) batteriladeren, (2) batteriet og (3) det produktet batteriet skal brukes i.
2. Ikke demonter eller tukle batteriet. Det kan føre til brann, overoppheting eller eksplosjon.
3. Hvis driftstiden er blitt vesentlig kortere, må du omgående slutte å bruke maskinen. Hvis ikke kan resultatet bli overoppheting, mulige forbrenninger eller til og med en eksplosjon.
4. Hvis du får elektrolytt i øynene, må du skylle dem med store mengder rennende vann og oppsøke lege med én gang. Denne typen uhell kan føre til varig blindhet.

### 5. Ikke kortslutt batteriet:

- (1) De kan være ekstremt varme og du kan brenne deg.
- (2) Ikke lagre batteriet i samme beholder som andre metallgjenstander, som for eksempel spiker, mynter osv.
- (3) Ikke la batteriet komme i kontakt med vann eller regn.

En kortslutning av batteriet kan føre til et kraftig strømstøt, overoppvarming, mulige forbrenninger og til og med til at batteriet går i stykker.

6. Ikke oppbevar og bruk verktøyet og batteriet på steder hvor temperaturen kan komme opp i eller overskride 50 °C.
7. Ikke sett fyr på batteriet, ikke engang om det er sterkt skadet eller helt utslitt. Batteriet kan eksplodere hvis det begynner å brenne.
8. Du må ikke spikre, skjære, klemme, kaste eller miste batteriet, og heller ikke slå en hard gjenstand mot batteriet. En slik oppførsel kan føre til brann, overoppheting eller eksplosjon.
9. Ikke bruk batterier som er skadet.
10. Lithium-ion-batteriene som medfølger er gjenstand for krav om spesialavfall.

For kommersiell transport, f.eks. av tredjeparter eller speditører, må spesielle krav om pakking og merking følges.

Før varen blir sendt, må du forhøre deg med en ekspert på farlig materiale. Ta også hensyn til muligheten for mer detaljerte nasjonale bestemmelser.

Bruk teip eller maskeringsteip for å skjule åpne kontakter og pakk inn batteriet på en slik måte at den ikke kan bevege seg rundt i emballasjen.

11. Når du kasserer batteriinnsettsen, må du ta den ut av verktøyet og avhende den på et sikkert sted. Følg lokale bestemmelser for avhending av batterier.
12. Bruk batteriene kun med produkter spesifisert av Makita. Montere batteriene i produkter som ikke er konforme kan føre til brann, overheting eller elektrolyttlekkasje.
13. Hvis verktøyet ikke skal brukes over en lengre periode, må batteriet tas ut av verktøyet.

14. Under og etter bruk kan batteriet bli varmt og før til brannskader. Vær forsiktig med håndteringen av varme batterier.
15. Ikke berør terminalen på verktøyet rett etter bruk, da den kan bli varm og forårsake brannskader.
16. Ikke la spon, støv eller jord sette seg fast i terminalene, hullene og sporene i batteriet. Det kan føre til at batteriet eller verktøyet blir overopphet, begynner å brenne, sprekker eller ikke fungerer som det skal, og forårsake brannskader eller personskade.
17. Med mindre verktøyet støtter bruk nær en høyspent strømlinje, skal ikke batteriet brukes nær en høyspent strømlinje. Det kan føre til en funksjonsfeil eller at verktøyet eller batteriet slutter å fungere.
18. Oppbevar batteriet utilgjengelig for barn.

## TA VARE PÅ DISSE INSTRUKSENE.

**⚠FORSIKTIG:** Bruk kun originale Makita-batterier. Bruk av batterier som har endret seg, eller som ikke er originale Makita-batterier, kan føre til at batteriet sprekker og forårsaker brann, personskader og andre skader. Det vil også ugyldiggjøre garantien for Makita-verktøyet og -laderen.

## Tips for å opprettholde maksimal batterilevetid

1. Lad batteriinnsettsen før den er helt utladet. Stopp alltid driften av verktøyet og lad batteriinnsettsen når du merker at effekten reduseres.
2. Lad aldri en batteriinnsetts som er fulladet. Overopplading forkorter batteriets levetid.
3. Lad batteriet i romtemperatur ved 10 °C - 40 °C. Et varmt batteri må kjøles ned før lading.
4. Når batteriet ikke er i bruk, skal det tas ut av verktøyet eller laderen.
5. Lad batteriet hvis det ikke har vært brukt på en lang stund (over seks måneder).

## MONTERING

**⚠ADVARSEL:** Påse alltid at batteriet er fjernet før det utføres arbeid på maskinen. Hvis ikke batteriet fjernes, kan dette forårsake alvorlig personskade ved utilsiktet oppstart.

**⚠ADVARSEL:** Start aldri opp gressklipperen før det er fullstendig montert. Bruk av maskinen i en delvis montert tilstand, kan føre til alvorlig personskade som følge av utilsiktet oppstart.

## Montere batteridekselet

**⚠ADVARSEL:** Du må ikke sette inn batteriet før du monterer batteridekselet. Hvis du ikke følger denne anbefalingen, kan det resultere i alvorlige personskader.



Sett batteridekselet riktig på plass før bruk. Batteridekselet beskytter gressklipperen og batteriet mot gjørme, jord og vann.

1. Plasser batteridekselet med de utstikkende delene på gressklipperen rettet inn med hullene på batteridekselet.

► **Fig.1:** 1. Utstikkende deler 2. Hull 3. Batterideksel

2. Legg hendene på midten av batteridekselet, og trykk det ned.

► **Fig.2**

3. Sørg for at batteridekselet er festet godt og at det låses fast med sperrehendelen.

► **Fig.3:** 1. Sperrehendel

## Montering av håndtaket

**⚠FORSIKTIG:** Monter håndtakene på en trygg måte.

**OBS:** Når du skal montere håndtakene, plasserer du ledningene slik at den ikke blir sittende fast i noe mellom håndtakene. Hvis ledningen blir eller er skadet, kan det hende at gressklipperbryteren ikke fungerer som den skal.

1. Plasser begge endene av det nedre håndtaket i sporene på hoveddelen på gressklipperen, stram til klemhendene og fold sammen klemhendene.

► **Fig.4:** 1. Klemhendel 2. Nedre håndtak

Når du strammer klemhendene, strammer du dem til du akkurat ikke kan se ringene på hendene lenger.

► **Fig.5:** 1. Ring

**MERK:** Sørg for at det ikke er noen mellomrom mellom det nedre håndtaket og hoveddelen på gressklipperen etter at klemhendene er foldet sammen.

► **Fig.6**

2. Innrett hullet i det øvre håndtaket etter hullet i det nedre håndtaket, sett i bolten fra utsiden, og stram deretter til fingermutteren fra utsiden. Utfør samme prosedyre på den andre siden.

► **Fig.7:** 1. Fingermutter 2. Bolt

**MERK:** Hold det øverste håndtaket godt, slik at du ikke mister grepet.

## Ta av utstyret for bioklipping

1. Åpne bakdekselet.

► **Fig.8:** 1. Bakdeksel

2. Hold utstyret for bioklipping i håndtaket, og trekk det deretter ut fra gressklipperen som vist i figuren.

► **Fig.9:** 1. Håndtak 2. Utstyr for bioklipping

## Montere eller ta av gresskurven

Følg trinnene nedenfor for å montere gresskurven.

1. Åpne bakdekselet.

► **Fig.10:** 1. Bakdeksel

2. Hold i håndtaket på gresskurven, og hekt deretter gresskurven på stangen på gressklipperen som vist i figuren.

► **Fig.11:** 1. Stang 2. Håndtak 3. Gresskurv

Når du skal ta av gresskurven, åpner du bakdekselet, og deretter tar du av gresskurven ved å holde i håndtaket.

## Feste utstyret for bioklipping

1. Åpne bakdekselet og fjern gresskurven.

► **Fig.12:** 1. Bakdeksel 2. Gresskurv

2. Hold utstyret for bioklipping etter håndtaket, og fest det deretter til gressklipperen ved å skyve det så langt det går, som vist i figuren.

► **Fig.13:** 1. Håndtak 2. Utstyr for bioklipping

## FUNKSJONSBEKRIVELSE

**⚠FORSIKTIG:** Kontroller at maskinen er slått av og at batteriet er tatt ut før du justerer eller kontrollerer maskinens funksjoner.

## Sette inn eller ta ut batteri

**⚠FORSIKTIG:** Slå alltid av maskinen før du setter inn eller fjerner batteriet.

**⚠FORSIKTIG:** Hold maskinen og batteriet i et fast grep når du monterer eller fjerner batteriet.

Hvis du ikke maskinen verktøyet og batteriet godt fast, kan du miste grepet, og dette kan føre til skader på maskinen og batteriet samt personskaade.

**⚠FORSIKTIG:** Sørg for at du lukker batterilokket før bruk. Ellers kan søle, skitt eller vann påføre skader på produktet eller batteripatronen.

**⚠FORSIKTIG:** Batteriet må alltid settes helt inn, så langt at den røde indikatoren ikke lenger er synlig. Hvis dette ikke gjøres, kan batteriet falle ut av maskinen og skade deg eller andre som oppholder seg i nærheten.

**⚠FORSIKTIG:** Ikke bruk makt når du setter i batteriet. Hvis batteriet ikke glir lett inn, er det fordi det ikke settes inn på riktig måte.

**⚠FORSIKTIG:** Hold batteridekselet i et fast grep når du setter i eller tar ut batteriet.

### Installering av batteriet;

1. Dra opp låsehendelen, og åpne batteridekselet.

► **Fig.14:** 1. Batterideksel 2. Sperrehendel

2. Rett inn batterituppen mot hakket i gressklipperen, og skyv innsatsen til den låses på plass med et lite klikk.

► **Fig.15:** 1. Batteriinnsetts

3. Lukk batteridekselet godt.

### Fjerning av batteriet fra gressklipperen;

1. Dra opp låsehendelen, og åpne batteridekselet.

2. Trekk batteriinnsettsen ut fra gressklipperen mens du skyver på knappen foran på batteriet og trekker det ut.

3. Lukk batteridekselet.

## Vernesystem for maskin/batteri

Maskinen er utstyrt med et vernesystem for maskin/batteri. Dette systemet slår automatisk av strømmen til motoren for å forlenge maskinens og batteriets levetid. Maskinen stopper automatisk under drift hvis maskinen eller batteriet utsettes for en av følgende tilstander.

### Overlastsikring

Når maskinen/batteriet brukes på en måte som gjør at den bruker unormalt mye strøm, stopper maskinen automatisk og indikatorlampen lyser rødt. I denne situasjonen må du slå av maskinen og stanse bruken som forårsaket at maskinen ble overopphetet. Slå deretter maskinen på for å starte den igjen.

### Overopphetingsvern

Når maskinen blir overopphetet, stopper maskinen automatisk, og indikatorlampen lyser rødt. La maskinen kjøle seg ned før du slår på maskinen igjen.

### Overutladingsvern

Når batterikapasiteten blir lav, stopper maskinen automatisk, og indikatorlampen lyser rødt. Hvis maskinen ikke går selv om bryterne aktiveres, må du ta batteriet ut av maskinen og lade batteriet.

### Vern mot andre årsaker

Vernesystemet er også laget for beskyttelse av andre grunner som kan skade maskinen og gjøre at den stanser automatisk. Ta alle følgende forholdsreglene for å fjerne årsakene til at maskinen har stanset midlertidig mens den er i drift.

1. Skru av maskinen, og så skrur du den på igjen for å starte på nytt.
2. Lad opp batteriet/batteriene eller skift det/dem ut med oppladde batteri(er).
3. La maskinen og batteriet/batteriene kjøle seg ned.

Hvis det ikke blir noen forbedring ved at vernesystemet gjenopprettes, ta kontakt med det lokale Makita-servicesenteret.

**OBS:** Hvis verktøyet stopper av en årsak som ikke er beskrevet ovenfor, kan du se under avsnittet for feilsøking.

**MERK:** Tidspunktet for når lampen begynner å blinke avhenger av temperaturen på arbeidsplassen, og batteritilstanden.

## Indikere gjenværende batterikapasitet

► Fig.16: 1. Indikatorlampe

Når den gjenværende batterikapasitet blir lav, blinker indikatorlampen rødt. Ved fortsatt bruk, stopper maskinen, og indikatorlampen lyser rødt. I dette tilfellet lader du batteriet.

## Indikere gjenværende batterikapasitet

Trykk på sjekk-knappen på batteriet for vise gjenværende batterikapasitet. Indikatorlampene lyser i et par sekunder.

► Fig.17: 1. Indikatorlamper 2. Kontrollknapp

Indikatorlamper			Gjenværende batterinivå
Tent	Av	Blinker	
			75 % til 100 %
			50 % til 75 %
			25 % til 50 %
			0 % til 25 %
			Lad batteriet.
			Batteriet kan ha en feil.

**MERK:** Det angitte nivået kan avvike noe fra den faktiske kapasiteten alt etter bruksforholdene og den omgivende temperaturen.

**MERK:** Den første (helt til venstre) indikatorlampen vil blinke når batterivernesystemet fungerer.

## Bryterfunksjon

**⚠ ADVARSEL:** Før du setter batteriet inn, må du alltid kontrollere at bryterspaken fungerer som den skal, og at den går tilbake til sin opprinnelige posisjon når du slipper den. Hvis du bruker maskinen med en bryter som ikke fungerer som den skal, kan du komme til å miste kontrollen, og det kan føre til alvorlig personskade.

**MERK:** Gressklipperen starter ikke uten at bryterknappen trykkes på, selv hvis du trekker i bryterspaken.

**MERK:** Gressklipperen starter kanskje ikke på grunn av overlasten når du prøver å klippe langt eller tett gress i én økt. I slike tilfeller må du øke klippehøyden.

Denne maskinen er utstyrt med startknapp. Hvis du merker noe uvanlig med statknappen, stanser du bruken umiddelbart og drar til nærmeste Makita autoriserte service-senter for inspeksjon.

1. Monter batteriet, og lukk deretter batteridekselet ordentlig.
2. Trekk bryterspaken mot deg mens du trykker ned bryterknappen. Slipp bryterknappen når motoren begynner å kjøre.

► Fig.18: 1. Startknapp 2. Startspak

3. Slipp bryterspaken for å stanse motoren.



## Tilpasse klippehøyden

**⚠ ADVARSEL:** Plasser aldri hånd eller ben under gressklipperens hoveddel når du justerer klippehøyden.

**⚠ ADVARSEL:** Sørg alltid for at spaken passer ordentlig inn i fordyplingen før bruk.

Klippehøyden kan justeres i området mellom 20 mm og 75 mm.

Slå av maskinen, dra justeringshendelen for klippehøyde utover fra gressklipperen, og beveg den til ønsket klippehøyde.

► **Fig.19:** 1. Justeringshendel for klippehøyde

Tabellen nedenfor viser forholdet mellom tallet på gressklipperen og den omtrentlige klippehøyden.

Tall	Klippehøyde
1	20 mm
2	29 mm
3	36 mm
4	44 mm
5	53 mm
6	61 mm
7	69 mm
8	75 mm

**MERK:** Tallene for klippehøyde er kun ment å være veiledende. Avhengig av plenen eller bakken kan faktisk plen høyde varierer litt fra den angitte høyden.

**MERK:** Gjør en prøvekutting på et mindre iøynefallende sted for å oppnå den høyden du ønsker.

## Indikator for gressnivå

► **Fig.20:** 1. Indikator for gressnivå

Indikatoren for gressnivå viser hvor mye gress som er klippet.

- Så lenge gresskurven ikke er full, flyter indikatoren når du klipper gresset.
- Når gresskurven er full, flyter ikke indikatoren når du klipper gresset. Når dette skjer, må du umiddelbart stoppe klippingen og tømme kurven. Når du tømmer kurven, må du rengjøre den, slik at luft slipper ut gjennom hullene.

**MERK:** Denne indikatoren er kun en veiledning. Avhengig av tilstanden inne i kurven, kan det hende at indikatoren ikke fungerer som den skal.

## Justere håndtakhøyden

**⚠ FORSIKTIG:** Før du tar ut boltene, må du holde godt fast i det øvre håndtaket. Ellers kan håndtaket falle ned og føre til personskader.

Håndtakhøyden kan justeres i to nivåer.

1. Løse fingermutrene på håndtaket, og ta ut boltene og fingermutrene.

► **Fig.21:** 1. Fingermutter

2. Justere håndtakhøyden.

3. Sett inn boltene fra utsiden, og stram deretter fingermutrene fra innsiden.

## Bruke utstyret for bioklipping

Utstyret for bioklipping lar deg sende det klippede gresset til bakken uten å samle opp det klippede gresset i gresskurven. Når du bruker maskinen med utstyret for bioklipping, må du passe på å fjerne gresskurven.

**OBS:** Når du bruker maskinen med pluggen for bioklipping, må du kontrollere at gressets totale lengde etter klipping er 30 mm eller mer, og at skjærelengden er 15 mm eller mindre.

► **Fig.22:** (1) 30 mm eller mer (2) 15 mm eller mindre

## BRUK

### Klipping

**⚠ ADVARSEL:** Før klipping, rydd vekk pinner og steiner fra klippeområdet. I tillegg, rensk vekk ugress fra området på forhånd.

**⚠ ADVARSEL:** Bruk alltid vernebriller med sidevern under bruk av gressklipperen.

**⚠ FORSIKTIG:** Hvis det klippede gresset eller fremmedlegemer hopper seg opp inni gressklipperen, må du ta ut batteriene og ta på deg hansker før du fjerner gresset eller fremmedlegemene.

**OBS:** Denne maskinen skal kun brukes til plenklipping. Ikke klipp ugress med denne maskinen.

► **Fig.23**

Hold håndtaket fast med begge hender under klippingen.

Retningslinjen for klipperhastighet er ca. 2 til 4 sekunder per 1 meter.

► **Fig.24**

**MERK:** Når du klipper en lang eller tett plen, hvis plenen er ujevn eller resultatet ser dårlig ut etter gressklipping, eller motorhastigheten reduseres under klipping, reduserer du klippehastigheten lavere enn det som er anbefalt i denne bruksanvisningen, eller øker klippehøyden.

Senterlinjene på fronthjulene er veiledende for klippebredden. Klipp i striper ved hjelp av senterlinjene som veiledning. Overlapp med halvdelen til én tredel av den foregående stripen for å klippe plenen jevnt.

► **Fig.25:** 1. Klippebredde 2. Overlapping 3. Senterlinje

Skift klipperetning hver gang for å unngå at mønsteret for gressstrætningen dannes bare i én retning.

► **Fig.26**

Kontroller gressnivået i gresskurven med jevne mellomrom. Tøm ut gresset før den blir helt full. Sørg for at du tanser og slår av maskinen før hver kontroll.

**OBS:** Bruk av gressklipperen med gresskurven full, hindrer jevn rotering av kniven og legger en ekstra belastning på motoren, hvilket kan føre til at den bryter sammen.

## Klipping av plen med høyt gress

Ikke kutt vått gress eller løvverk på små trær. Det er bedre å klippe gresset i små trinn. La det gå en dag eller to mellom klippeøkter, til plenen blir jevnt kort.

**MERK:** Dersom gresset klippes kort i én økt, kan det føre til at gresset dør. Oppkuttet gress kan også blokkere innsiden av gressklipperen.

## Tømming av gresskurven

**ADVARSEL:** For å redusere faren for ulykker, kontroller regelmessig gresskurven for skade eller redusert styrke. Skift om nødvendig ut gresskurven.

1. Slipp bryterspaken.
2. Fjern batteriet.
3. Åpne bakdekselet, og ta ut gresskurven ved å holde i håndtaket.  
► **Fig.27:** 1. Bakdekselet 2. Håndtak
4. Tøm gresskurven.

## VEDLIKEHOLD

**ADVARSEL:** Sørg alltid for at batteriet er tatt ut av maskinen før oppbevaring eller bæring, eller før inspeksjon og vedlikehold.

**ADVARSEL:** Bruk hansker når du utfører inspeksjon eller vedlikehold.

**ADVARSEL:** Bruk alltid sikkerhets- eller vernebriller med sidevern når du utfører inspeksjon eller vedlikehold.

**OBS:** Aldri bruk gasolin, bensin, tynner alkohol eller lignende. Det kan føre til misfarging, deformering eller sprekkdannelse.

For å opprettholde produktets SIKKERHET og PALITELIGHET, må reparasjoner, vedlikehold og justeringer utføres av autoriserte Makita servicesentre eller fabrikksservicesentre, og det må alltid brukes reservedeler fra Makita.

## Vedlikehold

1. Fjern batteriet, og lukk deretter batteridekselet.
2. Legg gressklipperen på siden. Fjern gressrester som har hopet seg opp på undersiden av gressklipperdekket.
3. Tøm vann mot bunnen av maskinen der kniven er festet.

**OBS:** Ikke vask maskinen med høytrykksvann.

4. Kontroller at alle muttere, bolter, skruer, osv. er ordentlig festet.
5. Kontroller bevegelige deler for skade, brudd og slitasje. Skadede og manglende deler skal repareres eller skiftes ut.
6. Oppbevar gressklipperen på et trygt sted som er utilgjengelig for barn.

## Lagring

**FORSIKTIG:** Når du stiller maskinen i oppreist posisjon, må du sørge for å plassere maskinen på en flat og stabil overflate. Hvis maskinen plasseres på en ustabil overflate, kan maskinen falle over ende og forårsake personskaade.

Oppbevar gressklipperen innendørs på et kjølig, tørt og låst sted. Ikke oppbevar gressklipperen og laderen på steder hvor temperaturen kan komme opp i eller overskride 40 °C.

1. Fjern batteriet.
2. Fjern gresskurven.
3. Fold ut klemhendlene og fold deretter sammen håndtaket før du folder sammen klemhendlene.  
► **Fig.28:** 1. Klemhendel
4. Løsne fingermutrene på håndtaket, og fold deretter sammen det øvre håndtaket.  
► **Fig.29:** 1. Fingermatter 2. Øvre håndtak
5. Plasser maskinen i oppreist posisjon.

**MERK:** Når gressklipperen settes i oppreist stilling, må du ikke holde bare i håndtaket, hold både i hoveddelen på gressklipperen og i håndtaket.

6. Oppbevar gresskurven mellom håndtaket og gressklippermaskinen.  
► **Fig.30:** 1. Gresskurv

## Bære gressklipperen

**FORSIKTIG:** Før du bærer gressklipperen, må du sørge for at batteriet er fjernet.

Når du bærer gressklipperen, holder du i det bakre grepet og den nedre holderdelen foran på maskinen, som vist i figuren.  
► **Fig.31:** 1. Nedre holderdel 2. Bakgrep

## Demontere eller montere gressklipperkniven

**ADVARSEL:** Ta alltid ut batteriet når knivbladet skal fjernes eller monteres. Hvis batteriet ikke fjernes, kan det føre til alvorlig personskaade.

**ADVARSEL:** Bladet roterer i noen få sekunder etter at bryteren er sluppet. Ikke start noen form for arbeid før kniven har stanset helt.

**ADVARSEL:** Når du håndterer bladet, bruk alltid hansker.

## Ta ut gressklipperkniven

1. Legg gressklipperen på siden slik at justeringsspaken for klippehøyde er på den øvre siden.
2. Lås bladrotasjonen ved å føre en stift eller skrutrekker inn i et hull på gressklipperen.
3. Skru boltene mot urviseren med en skrunøkkel.  
► **Fig.32:** 1. Gressklipperkniv 2. Fastnøkkel 3. Skrutrekker 4. Hull
4. Fjern boltene og kniven etter hverandre.  
► **Fig.33:** 1. Knivholder 2. Gressklipperkniv 3. Bolt

## Montere gressklipperkniven

Monter gressklipperkniven ved å følge fremgangsmåten for demontering i motsatt rekkefølge.

**⚠ADVARSEL:** Sett gressklipperkniven forsiktig inn. Den har en over- og underside.

**⚠ADVARSEL:** Stram til bolten med urviseren for å feste bladet.

**⚠ADVARSEL:** Sørg for at gressklipperkniven og alle festedelenes er riktig montert og godt strammet.

**⚠ADVARSEL:** Når du skifter ut bladene, skal du alltid følge anvisningene i denne håndboken.

## FEILSØKING

Inspisér utstyret selv før du bestiller reparasjon. Ikke prøv å demontere maskinen hvis du finner et problem som ikke er forklart i brukerveiledningen. I stedet skal du ta kontakt med et autorisert Makita-servicesenter, som alltid bruker reservedeler fra Makita til reparasjoner.

Unormal tilstand	Sannsynlig årsak (feil)	Løsning
Gressklipperen starter ikke.	Batteriet er ikke satt inn.	Sett inn ladet batteri.
	Batteriproblem (med spenning)	Lad batteriet. Hvis ladingen ikke virker, skal batteriet skiftes ut.
Motoren slutter å gå etter kort tids bruk.	Batteriets ladenivå er lavt.	Lad batteriet. Hvis ladingen ikke virker, skal batteriet skiftes ut.
	Klippehøyden er for lav.	Øk klippehøyden.
Motoren når ikke maksimalt antall omdreininger per minutt.	Batteriet er riktig satt inn.	Sett inn batteriet som beskrevet i denne håndboken.
	Batterieffekten minsker.	Lad batteriet. Hvis ladingen ikke virker, skal batteriet skiftes ut.
	Drivsystemet virker ikke slik det skal.	Kontakt ditt nærmeste autoriserte servicesenter hvis det oppstår behov for reparasjon.
Gressklipperkniven roterer ikke: ⇒ stans gressklipperen umiddelbart!	Fremmedlegemer, for eksempel grener, har satt seg fast nære kniven.	Fjern fremmedlegemet.
	Drivsystemet virker ikke slik det skal.	Kontakt ditt nærmeste autoriserte servicesenter hvis det oppstår behov for reparasjon.
Unormale vibrasjoner: ⇒ stans gressklipperen umiddelbart!	Kniven er i ubalanse, for slitt eller ujevnt slitt.	Skift ut kniven.

## VALGFRITT TILBEHØR

**⚠FORSIKTIG:** Det anbefales at du bruker dette tilbehøret eller verktøyet sammen med Makita-maskinen som er spesifisert i denne håndboken.

Bruk av annet tilbehør eller verktøy kan forårsake personskader. Tilbehør og verktøy må kun brukes til det formålet det er beregnet på.

Ta kontakt med ditt lokale Makita-servicesenter hvis du trenger mer informasjon om dette tilbehøret.

- Gressklipperkniv
- Makita originalbatteri og lader

**MERK:** Enkelte artikler på listen kan være inkludert som standardtilbehør i produktpakken. Artiklene kan variere fra land til land.

## TEKNISET TIEDOT

Malli:	LM003G	LM004G	
Leikkuuleveys (terän halkaisija)	380 mm	430 mm	
Kuormittamaton kierrosnopeus	3 800 min <sup>-1</sup>		
Ruohonleikkurin vaihtoterän osanumero	Suora ruohonleikkurin terä	1913G8-3	1913H4-8
	Silppuva terä	1913H0-6	1913H6-4
Mitat (P x L x K)	toiminnan aikana	P: 1 370 mm – 1 420 mm L: 450 mm K: 990 mm – 1 020 mm	P: 1 390 mm – 1 440 mm L: 460 mm K: 990 mm – 1 020 mm
	varastoitessa (ilman ruohosäiliötä)	520 mm x 450 mm x 880 mm	520 mm x 460 mm x 885 mm
Nimellisjännite	DC 36 V – 40 V maks.		
Nettopaino	14,9 – 17,3 kg	15,6 – 18,2 kg	
Suojausluokka	IPX4		

- Jatkuvasta tutkimus- ja kehitystyöstämme johtuen esitetyt tekniset tiedot saattavat muuttua ilman erillistä ilmoitusta.
- Tekniset tiedot voivat vaihdella maittain.
- Paino voi olla erilainen lisävarusteista sekä akusta johtuen. EPTA-menettelytavan 01/2014 mukaisesti, taulukossa on kuvattu kevyin ja painavin laiteyhdistelmä.

### Käytettävä akkupaketti ja laturi

Akkupaketti	BL4020* / BL4025* / BL4040* / BL4050F* / BL4080F* *: Suositeltu akku
Laturi	DC40RA / DC40RB / DC40RC







- Tiettyjä yläpuolella kuvattuja akkuja ja latureita ei ehkä ole saatavana asuinalueestasi johtuen.

**VAROITUS:** Käytä vain edellä eriteltyjä akkupaketteja ja latureita. Muiden akkupakettien ja laturien käyttäminen voi aiheuttaa loukkaantumisen ja/tai tulipalon.

**VAROITUS:** Älä käytä koneen kanssa johdollista virtälähdettä, kuten akkusovitinta tai kannettavaa tehoyksikköä. Tällaisen virtälähteen johto voi haitata käyttöä ja aiheuttaa henkilövahingon.

### Symbolit

Laitteessa on mahdollisesti käytetty seuraavia symboleja. Opettele niiden merkitys ennen käyttöä.

	Noudata erityistä varovaisuutta ja kiinnitä huomiota.
	Lue käyttöohje.
	Vaara; varo sinkoutuvia kappaleita.
	Sivullisten henkilöiden etäisyyden koneesta tulee olla vähintään 15 m.
	Älä koskaan työnnä käsiäsi tai jalkojasi ruohonleikkurin alla olevan terän lähelle. Ruohonleikkurin terät pyörivät moottorin sammuttamisen jälkeenkin.
	Varoitus: Irrota akku ennen huoltotoimia.



Koskee vain EU-maita  
Käytetyillä sähkö- ja elektroniikkalaitteilla, paristoilla ja akuilla voi olla negatiivisia ympäristö- ja terveysvaikutuksia niissä käytettyjen haitallisten osien takia.  
Älä hävitä sähkö- ja elektroniikkalaitteita tai akkuja kotitalousjätteen mukana!  
Vanhoja sähkö- ja elektroniikkalaitteita, paristoja ja akkuja koskevan EU-direktiivin ja sen perusteella laadittujen kansallisten lakien mukaan käytetyt sähkö- ja elektroniikkalaitteet, paristot ja akut on kierrätettävä toimittamalla ne erilliseen, ympäristönsuojelusaadosten mukaisesti toimivaan kierrätyspisteeseen. Tämä on ilmaista laitteessa olevalla ylivedetyn roska-astian symboleilla.



EU:n ulkona käytettävien laitteiden melupäästöjä koskevan direktiivin mukainen taattu äänitehotaso.



Australian Uuden Etelä-Walesin osavaltion melutasolainsäädännön mukainen äänitehotaso

### Käyttötarkoitus

Kone on tarkoitettu ruohonleikkuuseen.

## Melutaso

Typillinen A-painotettu melutaso määräytyy standardin EN62841-4-3 mukaan:

### Malli LM003G

Mitattu äänitehotaso ( $L_{WA}$ ): 90 dB (A)

Taattu äänitehotaso ( $L_{WA}$ ): 93 dB (A)

Äänenpainetaso ( $L_{pA}$ ): 83 dB (A)

Äänenpainetason epävarmuus (K): 3 dB (A)

### Malli LM004G

Mitattu äänitehotaso ( $L_{WA}$ ): 90 dB (A)

Taattu äänitehotaso ( $L_{WA}$ ): 93 dB (A)

Äänenpainetaso ( $L_{pA}$ ): 81 dB (A)

Äänenpainetason epävarmuus (K): 3 dB (A)

**HUOMAA:** Ilmoitettut melutasoarvot on mitattu standarditestausmenetelmän mukaisesti ja niiden avulla voidaan vertailla työkaluja keskenään.

**HUOMAA:** Ilmoitettuja melutasoarvoja voidaan käyttää myös altistumisen alustavaan arviointiin.

**VAROITUS:** Käytä kuulosuojaimia.

**VAROITUS:** Sähkötyökalun käytön aikana mitattu melutasoarvo voi poiketa ilmoitetuista arvoista laitteen käytettävän ja erityisesti käsiteltävän työkappaleen mukaan.

**VAROITUS:** Selvitä käyttäjän suojaamiseksi tarvittavat varoimet todellisissa käyttöolosuhteissa tapahtuvan arvioidun altistumisen mukaisesti (ottaen huomioon käyttäjän kokonaisuudessaan, myös jaksot, joiden aikana laite on sammutettuna tai käy tyhjäkäynnillä).

## Tärinä

Kokonaistärinä (kolmen akselin vektorien summa) määräytyy standardin EN62841-4-3 mukaan:

### Malli LM003G

Tärinäpäästö ( $a_h$ ): 2,5 m/s<sup>2</sup> tai alhaisempi  
Virhemarginaali (K): 1,5 m/s<sup>2</sup>

### Malli LM004G

Tärinäpäästö ( $a_h$ ): 2,5 m/s<sup>2</sup> tai alhaisempi  
Virhemarginaali (K): 1,5 m/s<sup>2</sup>

**HUOMAA:** Ilmoitettut kokonaistärinäarvot on mitattu standarditestausmenetelmän mukaisesti ja niiden avulla voidaan vertailla työkaluja keskenään.

**HUOMAA:** Ilmoitettuja kokonaistärinäarvoja voidaan käyttää myös altistumisen alustavaan arviointiin.

**VAROITUS:** Sähkötyökalun käytön aikana mitattu todellinen tärinäpäästöarvo voi poiketa ilmoitetuista arvoista laitteen käytettävän ja erityisesti käsiteltävän työkappaleen mukaan.

**VAROITUS:** Selvitä käyttäjän suojaamiseksi tarvittavat varoimet todellisissa käyttöolosuhteissa tapahtuvan arvioidun altistumisen mukaisesti (ottaen huomioon käyttäjän kokonaisuudessaan, myös jaksot, joiden aikana laite on sammutettuna tai käy tyhjäkäynnillä).

## Vaatimustenmukaisuusvaatimukset

### Koskee vain Euroopan maita

Vaatimustenmukaisuusvakuutukset on liitetty tähän käyttöoppaaseen liitteeksi A.

## TURVAVAROITUKSET

### Sähkötyökalujen käyttöä koskevat yleiset varoitukset

**VAROITUS** Tutustu kaikkiin tämän sähkötyökalun mukana toimitettuihin turvavaroituksiin, ohjeisiin, kuviin ja teknisiin tietoihin. Seuraavassa esitettyjen ohjeiden noudattamatta jättäminen voi aiheuttaa sähköiskun, tulipalon ja/tai vakavan vamman.

### Säilytä varoitukset ja ohjeet tulevaa käyttöä varten.

Varoituksissa käytettävällä termillä "sähkötyökalu" tarkoitetaan joko verkkovirtaa käyttävää (johdollista) työkalua tai akkukäyttöistä (johdotonta) työkalua.

### Akkukäyttöisen ruohonleikkurin turvallisuusvaroitukset

1. Älä käytä ruohonleikkuria huonoissa sääolosuhteissa, varsinkin ukkosella salamaniskun vaaran takia. Näin voit pienentää salamaniskun riskiä.
2. Tarkista huolellisesti, ettei ruohonleikkurilla leikattavalla alueella ole eläimiä. Ruohonleikkuri voi vahingoittaa eläimiä.
3. Tarkista ruohonleikkurilla leikattava alue huolellisesti ja poista kaikki kivet, tikut, johdot, luut ja muut vierasesineet alueelta. Sinkoutuvat esineet voivat aiheuttaa henkilövahingon.
4. Tarkista ennen ruohonleikkurin käyttöä silmämääräisesti, että terä ja teräasetelma eivät ole kuluneet tai vaurioituneet. Kuluneet tai vaurioituneet osat lisäävät henkilövahinkojen vaaraa.
5. Tarkista säännöllisesti, ettei ruohonkerääjässä ole kulumia tai murtumia. Kulunut tai vaurioitunut ruohonkerääjä lisää henkilövahinkojen vaaraa.
6. Pidä kaikki suojat paikoillaan. Suojien on oltava kunnossa ja asennettuina oikein. Huonosti paikallaan oleva, vaurioitunut tai viallisesti toimiva suoja voi johtaa henkilövahinkoon.
7. Älä päästä roskia jäähdytysilma-aukkoihin. Tuekutuneet ilma-aukot ja roskat voivat aiheuttaa ylikuumenemista ja tulipalon riskin.
8. Käytä ruohonleikkuria käyttäessäsi aina luis-tamattomia turvajalkineita. Älä käytä ruohonleikkuria paljain jaloin tai avosandaalit jalassa. Se vähentää jalkojen vahingoittumisvaaraa, jos ne ottavat kiinni liikkuvaan terään.
9. Käytä ruohonleikkuria käyttäessäsi aina pitkiä housuja. Paljas iho lisää sinkoutuvista esineistä johtuvaa vahingoittumisvaaraa.
10. Älä käytä ruohonleikkuria märällä nurmikolla. Kävele, älä koskaan juokse. Tämä vähentää liukastumisen ja kaatumisen vaaraa, jotka voivat johtaa henkilövahinkoon.
11. Älä käytä ruohonleikkuria erittäin jyrkissä rin-teissä. Tämä vähentää hallinnan menettämisen, liukastumisen ja kaatumisen vaaraa, jotka voivat johtaa henkilövahinkoon.

12. Työskenneltäessä rinteissä säilytä hyvä tasapaino, kulje rinteiden poikki, ei koskaan ylös tai alas, ja ole erittäin varovainen vaihtaessasi suuntaa. Tämä vähentää hallinnan menettämisen, liukastumisen ja kaatumisen vaaraa, jotka voivat johtaa henkilövahinkoon.
13. Ole erityisen varovainen, kun peruutat ruohonleikkuria tai vedät sitä itseäsi kohti. Kiinnitä aina huomiota ympäristöön. Se vähentää käytön aikaista kompastumisriskiä.
14. Älä kosketa teriä ja muita vaarallisia liikkuvia osia, kun ne ovat vielä liikkeessä. Se vähentää liikkuvien osien aiheuttamien vammojen riskiä.
15. Kun poistat kiinni jäänyttä leikkumateriaalia tai puhdistat ruohonleikkuria, varmista, että kaikki virtakytkimet ovat sammutettuja ja että akkupaketti kytketty irti. Ruohonleikkurin käynnistyminen vahingossa saattaa aiheuttaa vakavan henkilövahingon.
2. Tarkasta ennen käyttöä silmämääräisesti, ettei ruohonleikkurissa näy merkkejä vaurioista ja ettei siitä puutu suojuksia tai kilpiä tai ettei niitä ole asennettu väärin.
3. Varmista ennen ruohonleikkuun aloittamista, ettei alueella ole muita ihmisiä. Lopeta ruohonleikkurin käyttö, jos työskentelyalueelle tulee muita.
4. Käytä aina suojalaseja silmiesi suojaamiseksi tapaturmia vastaan sähkökäyttöisten laitteiden käytön aikana. Suojalasien täytyy noudattaa ANSI Z87.1 Yhdysvalloissa, EN 166 Euroopassa tai AS/NZS 1336 Australiassa / Uudessa Seelannissa olevia vaatimuksia. Australiassa / Uudessa Seelannissa on lainmukaisesti pakollista käyttää kasvosuojaimia myös kasvojen suojaamiseksi.

## SÄILYTÄ NÄMÄ OHJEET.

**VAROITUS:** ÄLÄ anna työkalun helppokäyttöisyyden (toistuvan käytön aikaansaama) johtaa sinua väärään turvallisuuden tunteeseen niin, että laiminlyöt työkalun turvaohjeiden noudattamisen.

VÄÄRINKÄYTTÖ tai tässä käyttöohjeessa ilmoitettujen turvamääräysten laiminlyönti voi aiheuttaa vakavia henkilövahinkoja.

## TÄRKEITÄ TURVAOHJEITA

**VAROITUS:** Lue huolellisesti kaikki turvallisuusvaroitukset ja käyttöohjeet. Jos varoitusten ja ohjeiden noudattaminen laiminlyödään, seurauksena voi olla sähköisku, tulipalo ja/tai vakava vammautuminen.

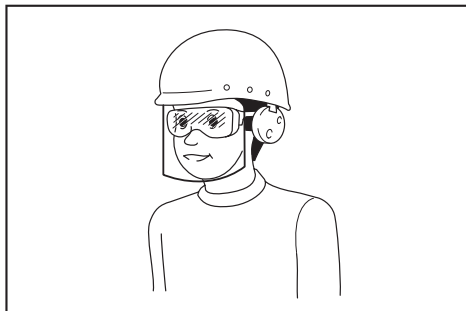
## Säilytä varoitukset ja ohjeet tulevaa käyttöä varten.

### Koulutus

1. Lue ohjeet huolellisesti. Pehdy ruohonleikkurin säätimiin ja asianmukaiseen käyttöön.
2. Älä anna lasten tai näihin ohjeisiin perehtymättömien henkilöiden käyttää ruohonleikkuria. Paikalliset määräykset voivat rajoittaa käyttäjän ikää.
3. Ruohonleikkuria ei saa koskaan käyttää, kun lähistöllä on muita henkilöitä, etenkin lapsia, tai lemmikkieläimiä.
4. Muista, että käyttäjä vastaa tapaturmista tai vahingoista, jotka hän aiheuttaa muille ihmisille tai heidän omaisuudelleen.
5. Lapsia tulee valvoa ja varmistaa etteivät he pääse leikkimään ruohonleikkurilla.
6. Fyysinen kunto - älä käytä ruohonleikkuria huumausaineiden, alkoholin tai lääkityksen alaisena.

### Valmistelu

1. Käytä ruohonleikkuria käyttäessäsi aina tukevia jalkineita ja pitkiä housuja. Älä käytä ruohonleikkuria paljain jaloin tai avosandaalit jalassa. Älä käytä vaatteita tai koruja, jotka ovat väljiä tai joissa on irrallisia nauhoja tai ketjuja. Ne voivat tarttua laitteen liikkuviin osiin.



Työnantajien velvollisuuksiin kuuluu varmistaa, että laitteen käyttäjät ja työpaikan välittömässä läheisyydessä olevat muut sivulliset henkilöt käyttävät asianmukaisia henkilönsuojaimia.

5. Tarkista ennen työskentelyn aloittamista, ettei terissä tai terien pulteissa ole halkeamia tai muita vikoja. Vaihda halkeilleet tai muuten vahingoittuneet terät tai terien pultit heti uusiin.
6. Poista työskentelyalueelta vieraat esineet, kuten kivet, langat ja köydet, pulot, luut ja suuret kepit, välttääksesi henkilövahingot tai ruohonleikkurin vahingot.
7. Ruohonleikkurin terien sinkoamat esineet voivat aiheuttaa vakavia henkilövahinkoja. Ennen jokaista leikkukertaa nurmikko on tutkittava huolellisesti ja ylimääräiset esineet on poistettava alueelta.
8. Varo koloja, vakoja, töyssyjä, kiviä ja muita näkymättömissä olevia esineitä. Epätasainen maasto lisää liukastumisesta ja kaatumisesta johtuvien tapaturmien riskiä. Pitkä nurmi voi peittää esteet näkyvistä.
9. Käytä henkilönsuojaimia. Käytä aina suojalaseja. Suojavarusteiden, esimerkiksi hengityssuojaimen, pitävien turvakien, suojakypärän tai kuulosuojaimien, asianmukainen käyttö vähentää loukkaantumisia.

### Käyttö

1. Älä ylikorkottele. Säilytä tasapainosi koko työskentelyn ajan. Varmista aina tukeva jalkasi rinteessä työskenneltäessä. Kävele, älä koskaan juokse.

2. Pysäytä ja sammuta ruohonleikkuri ja varmistaa, että kaikki liikkuvat osat ovat täysin pysähtyneet:
    - aina poistuessasi ruohonleikkurin luota,
    - ennen tukkeumien selvittämistä tai kourun puhdistamista,
    - ennen ruohonleikkurin tarkastamista, puhdistamista tai kunnossapitoa,
    - laitteen osuttua vieraaseen esineeseen.
 Tarkasta ruohonleikkuri vaurioiden varalta ja korjaa mahdolliset viat, ennen kuin käynnistät sen uudelleen,
    - aina, kun ruohonleikkuri alkaa täristä epänormaalisti.
  3. Älä koskaan käytä ruohonleikkuria, jos suojukset tai kilvet ovat vioittuneet tai turvalaitteet, esimerkiksi kivisuojat ja/tai ruohosäiliö, eivät ole paikallaan.
  4. Vältä käyttämästä ruohonleikkuria huonoissa sääolosuhteissa, varsinkin ukkosella salamaiskun vaaran takia.
  5. Käytä ruohonleikkuria käyttäessäsi aina suoja-laseja ja kestäviä jalkineita.
  6. Käytä ruohonleikkuria vain päivänvalossa tai kirkaassa keinovalossa.
  7. Käynnistä moottori varovaisuutta noudattaen ja ohjeiden mukaisesti ja pidä jalkasi poissa terän (terien) ulottuvilta.
  8. Varo, etteivät ruohonleikkurin terät vahingoita jalkojasi tai käsiäsi.
  9. Varmista aina, että ilmanvaihtoaukot ovat puhtaana liasta ja pölystä.
  10. Leikkaa nurmikko rinteessä aina poikittais-suuntaan, älä koskaan ylös ja alas. Ole erityisen varovainen vaihtaessasi suuntaa rinteissä. Älä leikkaa nurmikkoa liian jyrkissä rinteissä.
  11. Ole erityisen varovainen, kun peruutat ruohonleikkuria tai vedät sitä itseäsi kohti.
  12. Pysäytä terät, jos ruohonleikkuria on tarpeen kallistaa ruohottomia alueita ylittäessä, sekä silloin, kun siirrät sitä leikattavalle nurmi-alueelle ja takaisin.
  13. Älä kallista ruohonleikkuria moottorin käynnistyksen aikana, ellei se ole käynnistyksen kannalta välttämätöntä. Jos kallistaminen on välttämätöntä, kallista laitetta mahdollisimman vähän ja kohota vain käyttäjään nähden kauimpana olevaa puolta. Varmista aina, että molemmat kätesi ovat käyttöasennossa, ennen kuin lasket ruohonleikkurin maahan.
  14. Älä aseta käsiäsi tai jalkojasi pyörivien osien alle tai lähelle. Pidä poistoaukko aina esteettömänä jäämistä.
  15. Älä kuljeta ruohonleikkuria sen ollessa käynnissä.
  16. Vältä ruohonleikkurin käyttämistä märällä nurmikolla.
  17. Pidä aina tukevasti kiinni kahvasta.
  18. Älä tartu leikkuuteriin tai leikkaaviin reunoihin, kun nostat tai kannaat ruohonleikkuria.
  19. Pidä jalkasi ja kätesi kaukana pyörivistä teristä. Varoitus - terät pyörivät vielä sen jälkeen kun leikkuri on kytketty pois päältä.
  20. Lopeta käyttö heti, jos havaitset jotakin epätavallista. Kytke ruohonleikkuri pois päältä. Tarkasta sitten ruohonleikkuri.
  21. Jos ruohonleikkurissa on leikkuukorkeuden säätömahdollisuus, älä koskaan yritä säätää leikkuukorkeutta, kun ruohonleikkuri on käynnissä.
  22. Vapauta kytkinvipu ja anna terien pysähtyä ennen ajo- ja kävelyreittien, yleisten teiden ja sorapintaisten alueiden ylittämistä. Sammuta kone myös, jos poistut ruohonleikkurin luota, kurotut nostamaan jotakin tai ottamaan jotakin pois tieltä tai teet muuta, joka voi jostain syystä siirtää huomiosi pois laitteen käytöstä.
  23. Jos ruohonleikkuri osuu vieraaseen esineeseen, toimi seuraavasti:
    - Pysäytä ruohonleikkuri, vapauta kytkinvipu ja odota, että terä pysähtyy täysin.
    - Irrota akkupaketti.
    - Tarkista ruohonleikkuri huolellisesti vaurioiden varalta.
    - Vaihda terä, jos se on jotenkin vaurioitunut. Korjaa mahdolliset vahingot ennen ruohonleikkurin uudelleen käynnistämistä ja toiminnan jatkamista.
  24. Älä käynnistä ruohonleikkuria seisossasi poistoaukon edessä.
  25. Jos ruohonleikkuri alkaa täristä epänormaalisti (tutki syy heti)
    - Tarkasta vauriot,
    - Vaihda tai korjaa vaurioituneet osat,
    - Tarkasta ja kiristä löystyneet osat.
  26. Älä koskaan suuntaa ulos lentävää materiaalia ihmisiä kohti. Vältä ulos lentävän materiaalin suuntaamista seinää tai muuta estettä kohti. Materiaali voi tällöin kimmota takaisin käyttäjää kohti. Pysäytä terä, kun ylität sorapintoja.
  27. Älä vedä ruohonleikkuria taaksepäin ellei se ole täysin välttämätöntä. Jos ruohonleikkuria on vedettävä taaksepäin aidan tai muun vastaavan esteen ohittamiseksi, katso taaksesi ja alas ennen kuin aloitat liikkua taaksepäin.
  28. Sammuta moottori ja odota, että terä pysähtyy täysin, ennen kuin irrotat ruohonkerääjän. Pidä mielessä, että terät pyörivät hetken vapaasti sammuttamisen jälkeen.
  29. Kun käytät laitetta mutaisessa maastossa, määrässä rinteessä tai liukkaassa paikassa, kiinnitä erityistä huomiota hyvän tasapainon säilyttämiseen.
  30. Älä upota laitetta lammikkiin.
  31. Kun käytät konetta, kiinnitä huomiota putkien ja johtojen sijaintiin.
- Kunnossapito ja säilytys**
1. Vaihda kuluneet tai vioittuneet osat turvallisuusyistä. Käytä vain aitoja varaosia ja tarvikkeita.
  2. Tarkasta ja huolla ruohonleikkuri säännöllisesti.
  3. Kun et käytä ruohonleikkuria, säilytä se lasten ulottumattomissa.
  4. Varmista laitteen käyttöturvallinen kunto tarkistamalla, että kaikki Mutterit, pultit ja ruuvit ovat tiukasti kiinni.
  5. Tarkista säännöllisesti, ettei ruohosäiliössä ole kulumia tai murtumia. Tarkista ennen laitteen asettamista säilöön, että ruohosäiliö on tyhjä. Kulunut ruohosäiliö on turvallisuusyistä korvattava tehdasuudella.



- Käytä vain valmistajan tässä ohjeessa ilmoittamia teriä.
- Varo laitteen säätämisen aikana, etteivät sormesi jää pyörivien terien ja ruohonleikkurin kiinteiden osien väliin.
- Tarkista säännöllisesti, että terän kiinnityspultit ovat riittävän kireällä.
- Anna ruohonleikkurin jäähtyä, ennen kuin siirrät sen varastoon.
- Kun huollat teriä, muista, että vaikka virta on katkaistu, terät voivat silti liikkua.
- Älä koskaan poista tai peukaloi turvalaitteita. Tarkista säännöllisesti, että ne toimivat oikein. Älä koskaan yritä vaikuttaa turvalaitteiden tarkoituksenmukaiseen toimintaan tai heikentää turvalaitteen toimivuutta.
- Älä jätä laitetta ulos sateeseen ja valvomatta.
- Kun varastoit laitteen, vältä sijoittamasta sitä paikkaan, jossa se altistuu suoralle auringonpaisteelle, sateelle, kuumuudelle tai kosteudelle.

#### Akkukäyttöisen työkalun käyttö ja hoito

- Lataa akkua vain valmistajan määrittämällä laturilla. Tietyille akkupaketille sopiva laturi voi aiheuttaa tulipalovaaran, jos sitä käytetään muuntypipisen akkupaketin yhteydessä.
- Käytä sähkötyökaluja vain määritysten mukaisten akkujen kanssa. Muuntypipisten akkujen käyttäminen voi aiheuttaa loukkaantumista tulipalovaaran.
- Kun akku ei ole käytössä, säilytä se erillään metalliesineistä, kuten paperiliittimistä, kolikoista, avaimista, nauloista, ruuveista ja muista pienistä metalliesineistä, jotka voivat yhdistää akun navat. Akun napojen oikosulkeminen voi aiheuttaa palovamman tai tulipalon.
- Akusta voi vuotaa nestettä, jos sitä käsitellään väärin. Vältä kosketusta. Jos nestettä pääsee iholle vahingossa, huuhtelee iho vedellä. Jos nestettä pääsee silmiin, hakeudu lääkärin hoitoon. Ulos purkautunut akkuneste voi ärsyttää ihoa tai aiheuttaa palovammoja.
- Älä käytä viallista tai muunneltua akkua tai työkalua. Vialliset tai muunnellut akut voivat toimia odottamattomasti aiheuttamalla tulipalo-, räjähdys- tai tapaturmavaaran.
- Älä altista akkua tai työkalua tulelle tai äärimmäisille lämpötiloille. Altistus tulelle tai yli 130 °C lämpötiloille voi aiheuttaa räjähdyksen.
- Noudata kaikkia latausohjeita, äläkä lataa akkua tai työkalua ohjeissa määritettyjen lämpötilarajojen ulkopuolella. Väärin tai ohjeissa määritettyjen lämpötilarajojen ulkopuolella suoritettu lataus voi aiheuttaa akkuvaurion ja kasvattaa tapaturmavaaraa.

#### Säköturvallisuus ja akku

- Älä hävitä akkuja polttamalla. Akkukenko voi räjähtää. Tarkista, onko paikallisissa määräyksissä erityisiä laitteita koskevia hävitysohjeita.
- Älä avaa tai riko akkuja. Akusta mahdollisesti vuotava elektrolyytti on syövyttävää ja saattaa vaurioittaa ihoa tai silmiä. Se saattaa olla myrkyllistä nieltynä.

- Älä lataa akkua sateessa tai kosteissa olosuhteissa.
- Älä lataa akkua ulkona.
- Älä käsittele laturia tai sen liitinosaa ja latausliittimiä märin käsin.
- Älä vaihda akkua sateessa.
- Älä kastele akun liittimiä nesteellä, kuten vedellä, äläkä upota akkua nesteeseen. Älä jätä akkua sateeseen, äläkä lataa tai käytä akkua kosteassa tai märässä paikassa tai varastoi sitä tällaiseen paikkaan. Jos liitin kastuu tai akun sisälle pääsee nestettä, akku voi mennä oikosulkuun, mikä aiheuttaa ylikuumentumisen, tulipalon tai räjähdyksen vaaran.
- Kun akku on poistettu laitteesta tai laturista, kiinnitä akun suojakansi akkuun ja varastoi se kuivaan paikkaan.
- Älä vaihda akkua märin käsin.
- Vältä vaarallisia ympäristöjä. Älä käytä konetta kosteissa tai märissä paikoissa äläkä altista sitä sateelle. Koneeseen sisään päässyt vesi lisää sähköiskun vaaraa.
- Jos akkupaketti kastuu, valuta vesi pois sisältä ja kuivaa se sitten kuivalla kankaalla. Kuivaa akkupaketti kokonaan kuivassa paikassa ennen käyttöä.

#### Huolto

- Anna pätevä korjaajan huoltaa sähkötyökalusi käyttäen vain identtisiä varaosia. Näin varmistetaan, että sähkötyökalun turvallisuus säilyy.
- Älä koskaan huolla viallisia akkuja. Akkujen huolto on suoritettava ainoastaan valmistajan tai valtuutetun huoltoliikkeen toimesta.

## SÄILYTÄ NÄMÄ OHJEET.

**VAROITUS:** ÄLÄ anna työkalun helppokäyttöisyyden (toistuvan käytön aikaansaama) johtaa sinua väärään turvallisuuden tunteeseen niin, että laiminlyöt työkalun turvaohjeiden noudattamisen. **VÄÄRINKÄYTTÖ** tai tässä käyttöohjeessa ilmoitettujen turvamääräysten laiminlyönti voi aiheuttaa vakavia henkilövahinkoja.

### Akkupakettia koskevia tärkeitä turvaohjeita

- Ennen akun käyttöönottoa tutustu kaikkiin laturissa (1), akussa (2) ja akkukäyttöisessä tuotteessa (3) oleviin varoitusteksteihin.
- Älä pura tai peukaloi imuria akkupakettia. Se voi johtaa tulipaloon, ylikuumentumiseen tai räjähdykseen.
- Jos akun toiminta-aika lyhenee merkittävästi, lopeta akun käyttö. Seurauksena voi olla ylikuumentuminen, palovammoja tai jopa räjähdys.
- Jos akkunestettä pääsee silmiin, huuhtelee puhtaalla vedellä ja hakeudu välittömästi lääkärin hoitoon. Akkuneste voi aiheuttaa näön menetyksen.

## 5. Älä oikosulje akkua.

- (1) Älä koske akun napoihin millään sähköä johtavalla materiaalilla.
- (2) Vältä akun oikosulkemista äläkä säilytä akkua yhdessä muiden metalliesineiden, kuten naulojen, kolikoiden ja niin edelleen kanssa.
- (3) Älä aseta akkua alttiiksi vedelle tai sateelle.

Oikosulku voi aiheuttaa virtapiikin, ylikuumentumista, palovammoja tai laitteen rikkoutumisen.

6. Älä säilytä ja käytä työkalua ja akkupakettia paikassa, jossa lämpötila voi nousta 50 °C:een (122 °F) tai korkeammaksi.
7. Älä hävitä akkua polttamalla, vaikka se olisi pahoin vaurioitunut tai täysin loppuun kulunut. Avotuli voi aiheuttaa akun räjähtämisen.
8. Älä naulaa, leikkaa, purista, heitä tai pudota akkupakettia tai iske sitä kovia esineitä vasten. Tällaiset toimet voivat johtaa tulipaloon, ylikuumentumiseen tai räjähdykseen.
9. Älä käytä viallista akkua.
10. Sisältyviä litium-ioni-akkuja koskevat vaarallisten aineiden lainsäädännön vaatimukset. Esimerkiksi kolmansien osapuolten huolintaliikkeiden tulee kaupallisissa kuljetuksissa noudattaa pakkaamista ja merkintöjä koskevia erityisvaatimuksia. Lähetettävän tuotteen valmistelu edellyttää vaarallisten aineiden asiantuntijan neuvontaa. Huomioi myös mahdollisesti yksityiskohtaisemmat kansalliset määräykset Akun avoimet liittimet tulee suojata teipillä tai suojuksella ja pakkaaminen tulee tehdä niin, ettei akku voi liikkua pakkauksessa.
11. Kun akkupaketti on hävitettävä, poista se laitteesta ja hävitä se turvallisesti. Hävitä akku paikallisten määräysten mukaisesti.
12. Käytä akkuja vain Makitan ilmoittamien tuotteiden kanssa. Akkujen asentaminen yhteensopimattomiin tuotteisiin voi aiheuttaa tulipalon, liiallisen ylikuumentumisen, räjähdyksen tai akkunestevuotoja.
13. Jos laitetta ei käytetä pitkään aikaan, akku on poistettava laitteesta.
14. Akkupaketin lämpötila voi käytön aikana ja sen jälkeen nousta niin kuumaksi, että se voi aiheuttaa palovammoja tai lieviä palovammoja. Käsittele kuumia akkupaketteja huolellisesti.
15. Älä kosketa työkalun liittintä välittömästi käytön jälkeen, sillä se voi olla riittävän kuuma aiheuttamaan palovammoja.
16. Älä päästä lastuja, pölyä tai maata akkupaketin liittimiin, aukkoihin ja uriin. Se voi johtaa työkalun tai akkupaketin lämpenemiseen, sytymiseen, purkautumiseen tai toimintahäiriöön, mikä voi aiheuttaa palovammoja tai vammoja.
17. Ellei työkalu tue käyttöä korkeajännitelinjojen lähellä, älä käytä akkupakettia korkeajännitelinjojen lähellä. Se voi johtaa työkalun tai akkupaketin toimintahäiriöön tai rikkoutumiseen.
18. Pidä akku poissa lasten ulottuvilta.

## SÄILYÄ NÄMÄ OHJEET.

**⚠HUOMIO:** Käytä vain alkuperäisiä Makita-akkuja. Muiden kuin aitojen Makita-akkujen, tai mahdollisesti muutettujen akkujen käyttö voi johtaa akun murtumiseen ja aiheuttaa tulipaloja, henkilö- ja omaisuusvahinkoja. Se mitätöi myös Makita-työkalun ja -laturin Makita-takuun.

## Vihjeitä akun käyttöön pidentämiseksi

1. Lataa akku ennen kuin se purkautuu täysin. Lopeta aina työkalun käyttö ja lataa akku, jos huomaat työkalun tehon vähenevän.
2. Älä koskaan lataa uudestaan täysin ladattua akkua. Ylilataaminen lyhentää akun käyttöikää.
3. Lataa akku huoneen lämpötilassa välillä 10 °C - 40 °C. Anna kuuman akun jäähtyä ennen lataamista.
4. Irrota akkupaketti työkalusta tai laturista, kun sitä ei käytetä.
5. Lataa akkupaketti, jos et käytä sitä pitkään aikaan (yli kuusi kuukautta).

## KOKOONPANO

**⚠VAROITUS:** Varmista aina, että akkupaketti on irrotettu, ennen kuin teet koneelle mitään. Ellei akkupakettia irroteta, tahaton käynnistyminen voi aiheuttaa vakavan vamman.

**⚠VAROITUS:** Älä koskaan käynnistä ruohonleikkuria, jos sen kaikkia osia ei ole täysin asennettu. Jos kaikki osat eivät ole paikallaan, kone voi käynnistyä tahattomasti ja aiheuttaa vakavia vammoja.

## Akun suojuksen asennus

**⚠VAROITUS:** Älä aseta akkupakettia paikalleen ennen akun suojuksen asentamista. Muutoin seurauksena voi olla vakava vamma.

Asenna akun kansi kokonaan ennen käyttöä. Akun kansi suojaa ruohonleikkuria ja akkupakettia mudalta, lialta ja vedeltä.

1. Aseta akun kansi niin, että ruohonleikkurin ulokeet asettuvat linjaan akun kannen reikien kanssa.

► **Kuva1:** 1. Uloke 2. Reikä 3. Akun suojus

2. Aseta molemmat kätesi akun suojuksen keskikohdan ja paina sitä.

► **Kuva2**

3. Varmista, että akun suojus on kiinnitetty kunnolla ja lukittu kunnolla lukitusvivulla.

► **Kuva3:** 1. Lukitusvipu

## Kahvan asentaminen

**⚠HUOMIO:** Asenna kahvat tukevasti.

**HUOMAUTUS:** Kun asennat kahvoja, sijoita johto siten, ettei se voi tarttua mihinkään kahvojen välissä. Jos johto on vaurioitunut, ruohonleikkurin kytkin ei ehkä toimi.

1. Aseta kahvan alaosan molemmat päät ruohonleikkurin rungon uriin, kiristä kiristysvivut ja taita ne sitten.

► **Kuva4:** 1. Kiristysvipu 2. Alakahva

Kun kiristät kiristysvipuja, kiristä niitä, kunnes vipujen renkaat lähes katoavat näkyvistä.

► **Kuva5:** 1. Rengas

**HUOMAA:** Varmista, että kahvan alaosan ja ruohonleikkurin rungon väliin ei jää rakoa, kun kiristysvivut on taitettu.

► **Kuva6**

2. Kohdista kahvan yläosassa oleva reikä kahvan alaosan reiän kanssa, aseta pultti paikalleen ulkopuolelta ja kiristä sitten siipimutteri sisäpuolelta. Tee sama toimenpide toisella puolella.

► **Kuva7:** 1. Siipimutteri 2. Pultti

**HUOMAA:** Pidä yläkahvaa lujasti niin, ettei se putoa kädestäsi.

## Levitysosan irrottaminen

1. Avaa takakansi.

► **Kuva8:** 1. Takakansi

2. Ota kiinni levitysosan kahvasta ja vedä sitten levitysosa irti ruohonleikkurista kuvan mukaisesti.

► **Kuva9:** 1. Kahva 2. Levitysosa

## Ruohosäiliön asentaminen ja irrottaminen

Ruohosäiliö asennetaan seuraavien ohjeiden mukaisesti.

1. Avaa takakansi.

► **Kuva10:** 1. Takakansi

2. Ota kiinni ruohosäiliön kahvasta ja ripusta ruohosäiliö sitten ruohonleikkurin rungossa olevaan tankoon kuvan mukaisesti.

► **Kuva11:** 1. Tanko 2. Kahva 3. Ruohosäiliö

Irrota ruohosäiliö avaamalla takakansi, tarttumalla ruohosäiliön kahvaan ja vetämällä ruohosäiliö irti.

## Levitysosan kiinnittäminen

1. Avaa takakansi ja irrota ruohosäiliö.

► **Kuva12:** 1. Takakansi 2. Ruohosäiliö

2. Ota kiinni levitysosan kahvasta ja kiinnitä se sitten ruohonleikkurin runkoon painamalla sitä kuvan mukaisesti niin pitkälle kuin se menee.

► **Kuva13:** 1. Kahva 2. Levitysosa

## TOIMINTOJEN KUVAUS

**⚠HUOMIO:** Varmista aina, että koneesta on katkaistu virta ja akkupaketti poistettu, ennen kuin säädät tai tarkistat koneen toimintaa.

## Akun asentaminen tai irrottaminen

**⚠HUOMIO:** Sammuta kone aina ennen akkupaketin kiinnittämistä tai irrottamista.

**⚠HUOMIO:** Pidä koneesta ja akkupaketista tiukasti kiinni, kun irrotat tai kiinnität akkupakettia. Jos kone tai akkupaketti putoaa käsistesi, ne voivat vaurioitua tai aiheuttaa henkilövamman.

**⚠HUOMIO:** Varmista ennen käyttöä, että akun suojuus on lukittu. Muuten muta, hiekka tai vesi voisi vaurioittaa tuotetta tai akkua.

**⚠HUOMIO:** Työnnä akkupaketti aina pohjaan asti, niin että punainen ilmaisin ei enää näy. Jos akku ei ole kunnolla paikallaan, se voi pudota koneesta ja aiheuttaa vammoja joko sinulle tai sivullisille.

**⚠HUOMIO:** Älä käytä voimaa akun asennuksessa. Jos akku ei liu'u paikalleen helposti, se on väärässä asennossa.

**⚠HUOMIO:** Pidä akun suojakannesta tiukasti kiinni, kun asennat tai irrotat akkupakettia.

### Akun kiinnittäminen paikalleen;

1. Vedä lukitusvipu ylös ja avaa sitten akun suojakansi.

► **Kuva14:** 1. Akun suojuus 2. Lukitusvipu

2. Kohdista akkupaketin kieleke ruohonleikkurin rakoon ja liu'uta sitten akkupakettia, kunnes se lukittuu paikalleen naksauttaen.

► **Kuva15:** 1. Akkupaketti

3. Sulje akun suojakansi kunnolla.

### Akun irrottaminen ruohonleikkurista;

1. Vedä lukitusvipu ylös ja avaa akun suojuus.

2. Irrota akku painamalla akkupaketin etupuolella olevaa painiketta ja vetämällä akku ulos työkalusta.

3. Sulje akun suojuus.

## Koneen/akun suojausjärjestelmä

Kone on varustettu koneen/akun suojausjärjestelmällä. Tämä järjestelmä pidentää koneen ja akun käyttöikää katkaisemalla automaattisesti moottorin virran. Kone pysähtyy automaattisesti kesken käytön, jos siinä tai akussa ilmenee jokin seuraavista tilanteista.

## Ylikuormitussuoja

Jos konetta/akkua käytetään tavalla, joka saa sen kuluttamaan epätavallisen paljon virtaa, kone pysähtyy automaattisesti ja merkkivalo syttyy punaisena. Katkaise tässä tilanteessa koneesta virta ja lopeta ylikuormitustilan aiheuttanut käyttö. Käynnistä sitten kone uudelleen kytkemällä siihen virta.

## Ylikuumenemissuoja

Jos kone ylikuumentuu, se pysähtyy automaattisesti ja merkkivalo syttyy punaisena. Anna koneen jäähtyä, ennen kuin kytket sen uudelleen päälle.

## Ylipurkautumissuoja

Jos akun varaus käy vähiin, kone pysähtyy automaattisesti ja merkkivalo syttyy punaisena. Jos kone ei toimi, vaikka kytkimiä käytetään, irrota akku koneesta ja lataa se.

## Suojaus muilta haitallisilta tapahtumilta

Suojausjärjestelmä on suunniteltu suojaamaan kone myös muilta tapahtumilta, jotka voisivat vahingoittaa konetta, ja pysäyttämään kone automaattisesti tällaisissa tapauksissa. Kun kone tai sen toiminta on pysähtynyt tilapäisesti, poista pysäytyksen syyt seuraavien vaiheiden mukaisesti.

1. Käynnistä kone uudelleen sammuttamalla se ja kytkemällä se sitten uudelleen päälle.
2. Lataa akut tai vaihda ne ladattuihin akkuihin.
3. Anna koneen ja akkujen jäähtyä.

Jos suojausjärjestelmän nollaaminen ei korjaa tilannetta, ota yhteys paikalliseen Makita-huoltoon.

**HUOMAUTUS:** Jos kone pysähtyy jostakin muusta syystä kuin yllä ilmoitetuista, katso vianmääritysohjeita.

**HUOMAA:** Merkkivalon syttymisajankohta vaihtelee työskentelyalueen lämpötilan ja akkupaketin olosuhteiden mukaan.

## Akun jäljellä olevan varaustason ilmaisimien

### ► Kuva16: 1. Merkkivalo

Kun akun varaus on vähissä, akun merkkivalo alkaa vilkkua punaisena. Jos käyttöä jatketaan, kone pysähtyy ja merkkivalo syttyy punaisena. Lataa tässä tilanteessa akkupaketti.

## Akun jäljellä olevan varaustason ilmaisimien

Painamalla tarkistuspainiketta saat näkyviin akun jäljellä olevan varauksen. Merkkivalot palavat muutaman sekunnin ajan.

### ► Kuva17: 1. Merkkivalo 2. Tarkistuspainike

Merkkivalot			Akussa jäljellä olevan varaus
Palaa	Pois päältä	Vilkkuu	
			75% - 100%
			50% - 75%
			25% - 50%
			0% - 25%
			Lataa akku.
			Akussa on saattanut olla toimintahäiriö.

**HUOMAA:** Ilmoitettu varaustaso voi erota hieman todellisesta varaustasosta sen mukaan, millaisissa oloissa ja missä lämpötilassa laitetta käytetään.

**HUOMAA:** Ensimmäinen (vasemmanpuoleisin) merkkivalo vilkkuu, kun akun suojausjärjestelmä on toiminnassa.

## Kytkimen käyttäminen

**VAROITUS:** Tarkista aina ennen akkupaketin asentamista paikalleen, että kytkinvipu kytketty oikein ja palaa alkuperäiseen asentoonsa, kun se vapautetaan. Jos konetta käytetään, kun kytkin ei toimi moitteettomasti, seurauksena voi olla hallinnan menetys ja vakava henkilövahinko.

**HUOMAA:** Ruohonleikkuri ei käynnisty painamatta katkaisinpainiketta, vaikka kytkinvipua vedetään.

**HUOMAA:** Ruohonleikkuri ei ehkä käynnisty yli-kuormituksen vuoksi, kun yrittää leikata pitkää tai tiheää ruohoa liiallisesti. Lisää tässä tapauksessa leikkuukorkeutta.

Tässä koneessa on kytkinpainike. Jos kytkinpainikkeen toiminnassa ilmenee jotakin epätavallista, lopeta käyttö heti ja pyydä valtuutettua Makita-huoltoliikettä tarkistamaan se.

1. Asenna akkupaketti ja sulje sitten akun suojakansi kunnolla.
2. Vedä kytkinvipua itseäsi kohti pitämällä samalla kytkinpainiketta painettuna. Vapauta kytkinpainike, kun moottori alkaa käydä.
- **Kuva18:** 1. Kytkinpainike 2. Kytkinvipu
3. Sammuta moottori vapauttamalla kytkinvipua.

## Leikkuusyvytyden säätäminen

**VAROITUS:** Älä koskaan työnnä jalkojasi tai käsiäsi ruohonleikkurin rungosta alle leikkuukorkeuden säädön aikana.

**VAROITUS:** Varmista aina ennen käyttöä, että vipu sopii uraan.

Leikkuukorkeuden säätöalue on 20 mm – 75 mm.

Sammuta kone, vedä leikkuukorkeuden säätövipua ulospäin ruohonleikkurin rungosta ja siirrä se haluamasi leikkuukorkeuden kohdalle.

### ► Kuva19: 1. Leikkuukorkeuden säätövipu

Seuraavassa taulukossa on ilmoitettu ruohonleikkurin rungossa olevaa numeroa vastaava leikkuukorkeus.

Numero	Leikkuukorkeus
1	20 mm
2	29 mm
3	36 mm
4	44 mm
5	53 mm
6	61 mm
7	69 mm
8	75 mm

**HUOMAA:** Leikkuukorkeuden arvoja tulee käyttää vain ohjeellisina. Riippuen nurmikon tai maanpinnan kunnosta, todellinen nurmikon korkeus saattaa olla hieman erilainen kuin asetettu korkeus.

**HUOMAA:** Kokeile leikkuukorkeutta ensin nurmikon syrjäisemmässä osassa.

## Ruohomäärän ilmaisain

► **Kuva20:** 1. Ruohomäärän ilmaisain

Ruohomäärän ilmaisain näyttää leikatun ruohon määrän.

- Jos ruohosäiliö ei ole täynnä, ilmaisain liikkuu leikkuaikana.
- Jos ruohosäiliö on täynnä, ilmaisain ei liiku leikkaamisen aikana. Lopeta silloin leikkaaminen heti ja tyhjennä säiliö. Kun olet tyhjentänyt ruohosäiliön, puhdista se, jotta sen verkkoiset päästävät ilman lävitseen.

**HUOMAA:** Tämä ilmaisain on vain karkea ohje. Säiliön sisäisen tilanteen mukaan ilmaisain ei ehkä toimi oikein kaikissa tilanteissa.

## Kahvakorkeuden säätäminen

**HUOMIO:** Ennen kuin alat irrottaa pultteja, ota tukeva ote kahvan yläosasta. Muutoin kahva voi kaatua ja aiheuttaa vammoja.

Kahvan korkeus voidaan säätää kahdelle tasolle.

1. Avaa kahvan siipimuttereita ja irrota sitten pultit ja siipimutterit.

► **Kuva21:** 1. Siipimutteri

2. Säädä kahvan korkeutta.

3. Aseta pultit reikiin ulkopuolelta ja kiristä sitten siipimutterit sisäpuolelta.

## Levitysosan käyttäminen

Levitysosaa käyttämällä leikatun ruohon voi palauttaa maahan keräämättä sitä ruohosäiliöön. Kun käytät levitysosaa koneessa, muista irrottaa ruohosäiliö.

**HUOMAUTUS:** Kun käytät konetta levitysosan kanssa, varmista, että ruohon pituus leikkuaikana on vähintään 30 mm ja että leikkauspituus on enintään 15 mm.

► **Kuva22:** (1) Vähintään 30 (2) Enintään 15

# TYÖSKENTELY

## Ruohonleikkuu

**VAROITUS:** Poista kepit ja kivet leikkuaikaa ennen leikkuaikaa aloittamista. Poista myös rikkaruohot alueelta ennen ruohon leikkaamista.

**VAROITUS:** Käytä sivusuojilla varustettuja suojalaseja aina, kun käytät ruohonleikkuria.

**HUOMIO:** Jos leikattu ruoho tai vierasesine juuttuu ruohonleikkurin rungon sisälle, muista irrottaa akkupaketit ja pukea hansikkaat ennen ruohon tai vierasesineen poistamista.

**HUOMAUTUS:** Käytä tätä konetta vain ruohon leikkaamiseen. Älä leikkaa rikkakasveja tällä koneella.

► **Kuva23**

Pidä kahvasta tukevasti molemmin käsin kiinni leikkuaikana.

Suosittelut leikkuaikaa noin 2–4 sekuntia / 1 metri.

► **Kuva24**

**HUOMAA:** Jos pitkän tai tiheän ruohon leikkaamisen jälkeen ruohon pituus osoittautuu epätasaiseksi tai jälki huonoksi tai moottori hidastuu leikkaamisen aikana, muuta leikkuaikaa pienemmäksi kuin tässä oppaassa suositellaan tai suuremman leikkuaikaa.

Etupyörien keskiviivat toimivat leikkuaikaa apuna arvioinnissa ja leikkaa kaista kerrallaan. Limitä uusi kaista noin kolmasosa puoleen väliin edellisen kaistan kanssa, niin leikatusta nurmikosta tulee tasainen.

► **Kuva25:** 1. Leikkuaikaa 2. Limitäinen alue 3. Keskiviiva

Vaihda leikkuaikaa joka kaistalle, jotta leikkuaikaa ei ole vain yksisuuntainen.

► **Kuva26**

Tarkista ruohosäiliö säännöllisesti. Tyhjennä se ruohosta ennen sen täyttymistä. Muista pysäyttää ja sammuttaa kone aina ennen säännöllistä tarkistusta.

**HUOMAUTUS:** Jos ruohonleikkuria käytetään täysinlaisella ruohosäiliöllä, terä ei pääse pyörimään esteettä, mikä rasittaa moottoria ja voi vaurioittaa sitä.

## Pitkän ruohon leikkaaminen

Älä yritä leikata pitkäksi kasvanutta nurmikkoa kokonaan yhdellä leikkuaikalla. Leikkaa sen sijaan nurmikkoa useammassa vaiheessa. Jätä päivä tai kaksi leikkuaikaa väliin, kunnes nurmikko tulee tasaisen lyhyeksi.

**HUOMAA:** Pitkän ruohon leikkaaminen lyhyeksi yhdellä kerralla voi aiheuttaa ruohon kuoleamisen. Ruoho voi myös tukkia ruohonleikkurin rungon sisäpuolella.

## Ruohosäiliön tyhjentäminen

**VAROITUS:** Onnettomuusriskin pienentämiseksi ruohosäiliön kuntoa tulee valvota jatkuvasti ja vaurioitunut tai heikentynyt säiliö on tarvittaessa vaihdettava. Vaihda ruohosäiliö tarvittaessa.

1. Vapauta kytkinvipu.
2. Irrota akkupaketti.
3. Avaa takakansi, tartu ruohosäiliön kahvaan ja vedä ruohosäiliö irti.  
► **Kuva27:** 1. Takakansi 2. Kahva
4. Tyhjennä ruohosäiliö.

## KUNNOSSAPITO

**VAROITUS:** Varmista aina ennen koneen varastointia tai kantamista tai sen tarkastus- tai huoltotoimien aloittamista, että akkupaketti on irrotettu koneesta.

**VAROITUS:** Käytä käsineitä tarkastuksen ja huollon aikana.

**VAROITUS:** Käytä sivusuojilla varustettuja suojalaseja aina, kun käytät teet tarkastus- tai huoltotoimia.

**HUOMAUTUS:** Älä koskaan käytä bensiiniä, ohenteita, alkoholia tai tms. aineita. Muutoin pinta voi halkeilla tai sen värit ja muoto voivat muuttua. Muutoin laitteeseen voi tulla värjäytyimiä, muodon vääristymiä tai halkeamia.

Tuotteen TURVALLISUUDEN ja LUOTETTAVUUDEN takaamiseksi korjaukset, muut huoltotyöt ja säädöt on teetettävä Makitan valtuutetussa huoltopisteessä Makitan varaosia käyttäen.

## Huolto

1. Irrota akkupaketti ja sulje sitten akun suojakansi.
2. Käännä ruohonleikkuri kyljelleen. Puhdista ruohonleikkurin kotelon pohjaan kerääntynyt ruohosilppu.
3. Kaada vettä laitteen pohjaa eli terän kiinnityskohdasta kohti.

**HUOMAUTUS:** Älä pese laitetta korkeapaineisella vesisuihkulla.

4. Tarkista kaikkien mutterien, pulttien, ruuvien yms. kireys.
5. Tarkista, etteivät liikkuvat osat ole vaurioiden, murtumien tai kulumien varalta. Vaurioituneet tai puuttuvat osat tulee korjata tai vaihtaa.
6. Varastoi ruohonleikkuri turvalliseen paikkaan lasten ulottumattomiin.

## Säilytys

**HUOMIO:** Jos kone asetetaan pystyasentoon, aseta kone tasaiselle ja vakaalle alustalle. Jos kone asetetaan epävakaaile pinnalle, se saattaa kaatua ja aiheuttaa vammoja.

Säilytä ruohonleikkuria sisätiloissa viileässä, kuivassa ja luki-tussa paikassa. Älä säilytä ruohonleikkuria ja laturia paikassa, jossa lämpötila voi nousta 40 °C:een tai sitä korkeammaksi.

1. Irrota akkupaketti.
2. Irrota ruohosäiliö.
3. Avaa kiristysvivut, taita kahva ja taita sitten kiristysvivut.  
► **Kuva28:** 1. Kiristysvipu
4. Löysennä kahvan siipimutterit ja taita sitten kahvan yläosa.  
► **Kuva29:** 1. Siipimutteri 2. Yläkahva
5. Aseta kone pystyasentoon.

**HUOMAA:** Kun asetat ruohonleikkurin pystyasentoon, älä pidä kiinni vain kahvasta vaan sekä ruohonleikkurin rungosta että kahvasta.

6. Säilytä ruohosäiliötä kahvan ja ruohonleikkurin rungon välissä.  
► **Kuva30:** 1. Ruohosäiliö

## Ruohonleikkurin kantaminen

**HUOMIO:** Varmista ennen ruohonleikkurin kantamista, että akkupaketti on poistettu.

Kun annat ruohonleikkuria, pidä kiinni takakahvasta ja koneen etuosan alatarattumiskohdasta kuvan mukaisesti.

- **Kuva31:** 1. Alatarattumiskohta 2. Takakahva

## Ruohonleikkuuterän irrotus ja asentaminen

**VAROITUS:** Irrota akkupaketti aina ennen terän irrottamista ja asentamista. Jos akkupakettia ei irroteta, seurauksena voi olla vakava vamma.

**VAROITUS:** Terä pyörii vielä muutaman sekunnin ajan kytkimen vapauttamisen jälkeen. Älä aloita mitään toimenpidettä, ennen kuin terä on täysin pysähtynyt.

**VAROITUS:** Käytä aina suojakäsineitä, kun käsittelet terää.

## Ruohonleikkurin terän irrottaminen

1. Käännä ruohonleikkuri kyljelleen siten, että leikkuukorkeuden säätövipu tulee yläpuolelle.
2. Voit estää terän pyörimisen työntämällä tapin, ruuvitaltan tai vastaavan työkalun ruohonleikkurin rungossa olevaan reikään.
3. Kierrä pulttia vastapäivään kiintoavaimella.  
► **Kuva32:** 1. Ruohonleikkurin terä 2. Kiintoavain 3. Ruuvitaltta 4. Reikä
4. Irrota järjestyksessä pultti ja terä.  
► **Kuva33:** 1. Terän tuki 2. Ruohonleikkurin terä 3. Pultti

## Ruohonleikkurin terän kiinnittäminen

Ruohonleikkuterä asennetaan päinvastaisessa järjestyksessä.

**VAROITUS:** Asenna ruohonleikkurin terä huolellisesti. Siinä on ylä-/alapuoli.

**VAROITUS:** Kiinnitä sitten terä paikalleen kiristämällä mutteri tiukasti myötäpäivään kiertäen.

**VAROITUS:** Varmista, että ruohonleikkurin terä ja kaikki kiinnitysosat on asennettu oikein ja kunnolla kiristetty.

**VAROITUS:** Kun vaihdat teriä, noudata aina tämän oppaan ohjeita.

## VIANMÄÄRITYS

Tarkista kone ensin itse, ennen kuin viet sen korjattavaksi. Jos havaitset ongelman, johon ei löydy ratkaisua ohjeista, älä yritä purkaa konetta. Vie se sen sijaan valtuutettuun Makita-huoltoon. Käytä korjaamiseen aina alkuperäisiä Makita-varaosia.

Epänormaali tila	Todennäköinen syy (toimintahäiriö)	Korjaus
Ruohonleikkuri ei käynnisty.	Akkupakettia ei ole asennettu.	Asenna ladattu akkupaketti.
	Akkuongelma (alijännite)	Lataa akkupaketti. Jos lataaminen ei toimi tehokkaasti, vaihda akkupakettia.
Moottori pysähtyy lyhyen käytön jälkeen.	Akun varaustila on alhainen.	Lataa akkupaketti. Jos lataaminen ei toimi tehokkaasti, vaihda akkupakettia.
	Leikkuukorkeus on liian alhainen.	Nosta leikkuukorkeutta.
Moottori ei saavuta suurinta kierroslukua.	Akkupaketti on asennettu väärin.	Asenna akkupaketti tämän käyttöohjeen ohjeiden mukaan.
	Akun teho laskee.	Lataa akkupaketti. Jos lataaminen ei toimi tehokkaasti, vaihda akkupakettia.
	Vetojärjestelmä ei toimi oikein.	Pyydä valtuutettua huoltoliikettäsi korjaamaan laite.
Ruohonleikkurin terä ei pyöri: ⇒ pysäytä ruohonleikkuri välittömästi!	Vieras esine, esimerkiksi oksa, on juuttunut lähelle terää.	Poista vieras esine.
	Vetojärjestelmä ei toimi oikein.	Pyydä valtuutettua huoltoliikettäsi korjaamaan laite.
Epänormaali ääni: ⇒ pysäytä ruohonleikkuri välittömästi!	Terä on epätasapainossa, liiallisesti tai epätasaisesti kulunut.	Vaihda terä.

## LISÄVARUSTEET

**HUOMIO:** Seuraavia lisävarusteita tai -laitteita suositellaan käytettäväksi tässä ohjeessa kuvattun Makita-koneen kanssa. Muiden lisävarusteiden tai -laitteiden käyttö voi aiheuttaa henkilövahinkoja. Käytä lisävarusteita ja -laitteita vain niiden käyttötarcoituksen mukaisesti.

Jos tarvitset apua tai yksityiskohtaisempia tietoja seuraavista lisävarusteista, ota yhteys paikalliseen Makitan huoltoon.

- Ruohonleikkurin terä
- Aito Makita-akku ja -laturi

**HUOMAA:** Jotkin luettelossa mainitut varusteet voivat sisältyä laitetoimitukseen vakiovarusteina. Ne voivat vaihdella maittain.



## SPECIFIKATIONER

Model:		LM003G	LM004G
Klippebredde (diameter af bladet)		380 mm	430 mm
Omdrejninger uden belastning		3.800 min <sup>-1</sup>	
Artikelnr. på reserveblad til plæneklipper	Lige plæneklipperblad	1913G8-3	1913H4-8
	Komposteringsblad	1913H0-6	1913H6-4
Mål (L x B x H)	under anvendelse	L: 1.370 mm til 1.420 mm B: 450 mm H: 990 mm til 1.020 mm	L: 1.390 mm til 1.440 mm B: 460 mm H: 990 mm til 1.020 mm
	under opbevaring (uden græskurv)	520 mm x 450 mm x 880 mm	520 mm x 460 mm x 885 mm
Mærkespænding		D.C. 36 V - 40 V maks.	
Nettovægt		14,9 - 17,3 kg	15,6 - 18,2 kg
Beskyttelsesgrad		IPX4	

- På grund af vores kontinuerlige forsknings- og udviklingsprogrammer kan hosstående specifikationer blive ændret uden varsel.
- Specifikationer kan variere fra land til land.
- Vægten kan være anderledes afhængigt af tilbehøret, inklusive akkuen. Den letteste og tungeste kombination i henhold til EPTA-procedure 01/2014 er vist i tabellen.

## Anvendelig akku og oplader

Akku	BL4020* / BL4025* / BL4040* / BL4050F* / BL4080F* *: Anbefalet batteri
Oplader	DC40RA / DC40RB / DC40RC






- Nogle af de akkuer og opladere, der er angivet ovenfor, er muligvis ikke tilgængelige, afhængigt af hvilket område du bor i.

**⚠ ADVARSEL: Brug kun de akkuer og opladere, der er angivet ovenfor. Brug af andre akkuer og opladere kan medføre personske og/eller brand.**

**⚠ ADVARSEL: Brug ikke en ledningstilsluttet strømforsyning som fx en batteriadapter eller bærbar strømforsyningsenhed med denne maskine. Ledningen til en sådan strømforsyning kan muligvis hindre brugen og forårsage personske.**

## Symboler

Følgende viser de symboler, der muligvis anvendes til udstyret. Sørg for, at du forstår deres betydning før brugen.

	Udvis særlig forsigtighed og opmærksomhed.
	Læs betjeningsvejledningen.
	Fare; pas på kastede genstande.
	Afstanden mellem maskinen og omkringstående skal være mindst 15 m.
	Undlad at anbringe hænder og fødder i nærheden af plæneklipperbladet under plæneklipperen. Plæneklipperbladene fortsætter med at rotere, efter at motoren er slukket.



Advarsel; Afbryd batteriet inden vedligeholdelse.



Kun for lande inden for EU  
På grund af tilstedeværelsen af farlige komponenter i udstyret kan affald af elektrisk og elektronisk udstyr, akkumulatører og batterier have en negativ indvirkning på miljøet og folkesundheden. Bortskaf ikke elektriske og elektroniske apparater eller batterier sammen med husholdningsaffald!  
I overensstemmelse med EF-direktiv om affaldshåndtering af elektrisk og elektronisk udstyr og om akkumulatører og batterier og affaldsakkumulatører og -batterier, og i overensstemmelse med national lovgivning, skal brugt elektrisk udstyr, batterier og akkumulatører opbevares separat og leveres til et separat indsamlingssted for kommunalt affald, der er etableret i henhold til bestemmelserne om miljøbeskyttelse. Dette er angivet ved symbolet på den krydsede skraldespand, der er placeret på udstyret.



Garanteret lydeffektniveau i henhold til EU-direktivet om maskiner til udendørs brug.



Lydeffektniveau i henhold til Australiens NSW forordning om støjemission

## Tilsigtet anvendelse

Maskinen er beregnet til at slå græs.

## Støj

Det typiske A-vægtede støjniveau bestemt i overensstemmelse med EN62841-4-3:

### Model LM003G

Målt lydeffektniveau ( $L_{WA}$ ): 90 dB (A)

Garanteret lydeffektniveau ( $L_{WA}$ ): 93 dB (A)

Lydryksniveau ( $L_{pA}$ ): 83 dB (A)

Usikkerhed for lydryksniveau (K): 3 dB (A)

### Model LM004G

Målt lydeffektniveau ( $L_{WA}$ ): 90 dB (A)

Garanteret lydeffektniveau ( $L_{WA}$ ): 93 dB (A)

Lydryksniveau ( $L_{pA}$ ): 81 dB (A)

Usikkerhed for lydryksniveau (K): 3 dB (A)

**BEMÆRK:** De(n) angivne støjemissionsværdi(er) er målt i overensstemmelse med en standardtestmetode og kan anvendes til at sammenligne en maskine med en anden.

**BEMÆRK:** De(n) angivne støjemissionsværdi(er) kan også anvendes i en præliminær eksponeringsvurdering.

### ⚠ ADVARSEL: Bær høreværn.

⚠ **ADVARSEL:** Støjemissionen under den faktiske anvendelse af maskinen kan være forskellig fra de(n) angivne værdi(er), afhængigt af den måde hvorpå maskinen anvendes, især den type arbejdsområde der behandles.

⚠ **ADVARSEL:** Sørg for at identificere de sikkerhedsforskrifter til beskyttelse af operatøren, som er baseret på en vurdering af eksponering under de faktiske brugsforhold (med hensyntagen til alle dele i brugscyklussen, f.eks. de gange, hvor maskinen er slukket, og når den kører i tomgang i tilgift til afbrydertiden).

## Vibration

Vibrationens totalværdi (tre-aksial vektorsum) bestemt i overensstemmelse med EN62841-4-3:

### Model LM003G

Vibrationsemission ( $a_h$ ): 2,5 m/s<sup>2</sup> eller mindre

Usikkerhed (K): 1,5 m/s<sup>2</sup>

### Model LM004G

Vibrationsemission ( $a_h$ ): 2,5 m/s<sup>2</sup> eller mindre

Usikkerhed (K): 1,5 m/s<sup>2</sup>

**BEMÆRK:** De(n) angivne totalværdi(er) for vibration er målt i overensstemmelse med en standardtestmetode og kan anvendes til at sammenligne en maskine med en anden.

**BEMÆRK:** De(n) angivne totalværdi(er) for vibration kan også anvendes i en præliminær eksponeringsvurdering.

⚠ **ADVARSEL:** Vibrationsemissionen under den faktiske anvendelse af maskinen kan være forskellig fra de(n) angivne værdi(er), afhængigt af den måde hvorpå maskinen anvendes, især den type arbejdsområde der behandles.

⚠ **ADVARSEL:** Sørg for at identificere de sikkerhedsforskrifter til beskyttelse af operatøren, som er baseret på en vurdering af eksponering under de faktiske brugsforhold (med hensyntagen til alle dele i brugscyklussen, f.eks. de gange, hvor maskinen er slukket, og når den kører i tomgang i tilgift til afbrydertiden).

## Overensstemmelseserklæringer

### Kun for lande i Europa

Overensstemmelseserklæringerne er inkluderet i Bilag A i denne brugsanvisning.

## SIKKERHEDSADVARSLER

### Almindelige sikkerhedsregler for el-værktøj

⚠ **ADVARSEL** Læs alle sikkerhedsadvarsler, instruktioner, illustrationer og specifikationer, der følger med denne maskine. Hvis du ikke følger alle nedenstående instruktioner, kan det medføre elektrisk stød, brand og/eller alvorlig personskade.

### Gem alle advarsler og instruktioner til fremtidig reference.

Ordet "el-værktøj" i advarslerne henviser til det netforsynede (netledning) el-værktøj eller batteriforsynede (akku) el-værktøj.

### Sikkerhedsadvarsler for akku-plæneklipper

1. Undlad at bruge plæneklipperen under dårlige vejrforhold, især når der er risiko for lynnedslag. Dette mindsker risikoen for at blive ramt af lynnedslag.
2. Undersøg grundigt området for dyreliv, hvor plæneklipperen skal bruges. Dyrelivet kan blive skadet af plæneklipperen under anvendelse.
3. Undersøg det område grundigt, hvor plæneklipperen skal bruges, og fjern alle sten, pinde, ledninger, knogler og andre fremmedlegemer. Udslyngede genstande kan forårsage personskade.
4. Før du bruger plæneklipperen, skal du altid inspicere visuelt for at sikre, at bladet og bladmonteringen ikke er slidt eller beskadiget. Slidte eller beskadigede dele øger risikoen for personskade.
5. Kontroller ofte græskurven for slitage eller forringelse. En slidt eller beskadiget græskurve kan øge risikoen for personskade.

6. **Hold afskærmninger på plads.** Afskærmninger skal være i funktionsdygtig stand og være korrekt monteret. En afskærmning, der er løs, beskadiget eller ikke fungerer korrekt, kan resultere i personskade.
7. **Hold alle køleluftåbninger fri for snavs.** Blokerede luftåbninger og snavs kan resultere i overophedning eller risiko for brand.
8. **Når du anvender plæneklipperen, skal du altid bære skridsikkert og beskyttende fodtøj.** Undlad at betjene plæneklipperen, når du er barfodet eller iført åbne sandaler. Dette reducerer risikoen for skade på fødderne ved kontakt med det bevægelige blad.
9. **Når du betjener plæneklipperen, skal du altid bære lange bukser.** Eksponeret hud øger sandsynligheden for skade som følge af udslyngede genstande.
10. **Undlad at betjene plæneklipperen i vådt græs. Gå, løb aldrig.** Dette reducerer risikoen for at glide og falde, hvilket kan resultere i personskade.
11. **Undlad at betjene plæneklipperen på for stejle skrånninger.** Dette reducerer risikoen for, at du mister kontrollen, glider og falder, hvilket kan resultere i personskade.
12. **Når du arbejder på skrånninger, skal du altid være sikker på dit fodfæste, altid arbejde på tværs af skrånninger, aldrig op eller ned og udvise ekstrem forsigtighed, når du skifter retning.** Dette reducerer risikoen for, at du mister kontrollen, glider og falder, hvilket kan resultere i personskade.
13. **Vær yderst forsigtig, når du bakker eller trækker plæneklipperen mod dig. Vær altid opmærksom på dine omgivelser.** Dette reducerer risikoen for at snuble under betjening.
14. **Undlad at røre ved blade og andre farlige bevægelige dele, mens de stadig er i bevægelse.** Dette reducerer risikoen for skader fra bevægelige dele.
15. **Når du fjerner fastklemt materiale eller rengør plæneklipperen, skal du sørge for, at alle afbrydere er slukket, og at akkuen er afbrudt.** Uventet betjening af plæneklipperen kan resultere i alvorlig personskade.

## GEM DENNE BRUGSANVISNING.

**⚠ ADVARSEL:** LAD IKKE bekvemmelighed eller kendskab til produktet (opnået gennem gentagen brug) forhindre, at sikkerhedsforskrifterne for produktet nøje overholdes.

**MISBRUG** eller forsømmelse af at følge de i denne brugsvejledning givne sikkerhedsforskrifter kan føre til, at De kommer alvorligt til skade.

## VIGTIGE SIKKERHEDSFORSKRIFTER

**⚠ ADVARSEL:** Læs alle sikkerhedsadvarsler og alle sikkerhedsinstruktioner. Hvis nedenstående advarsler og instruktioner ikke overholdes, kan det medføre elektrisk stød, brand og/eller alvorlig personskade.

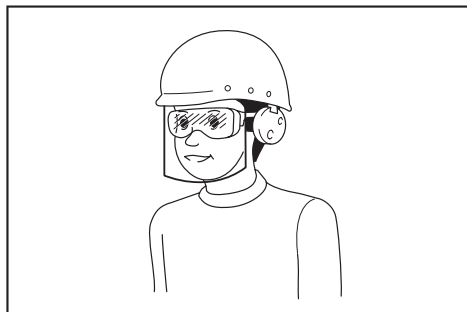
## Gem alle advarsler og instruktioner til fremtidig reference.

### Oplæring

1. Læs instruktionerne omhyggeligt. Vær bekendt med kontrollerne og den korrekte brug af plæneklipperen.
2. Lad aldrig børn eller personer, som ikke er bekendt med disse instruktioner, anvende plæneklipperen. Operatørens alder kan være begrænset af lokale bestemmelser.
3. Anvend aldrig plæneklipperen, hvis der er personer, især børn, eller kæledyr i nærheden.
4. Husk, at operatøren eller brugeren er ansvarlig for ulykker eller farlige situationer, som andre personer eller deres ejendom udsættes for.
5. Børn bør være under opsyn for at sikre, at de ikke leger med plæneklipperen.
6. Fysisk tilstand - anvend ikke plæneklipperen under indflydelse af narkotika, alkohol eller nogen form for medicin.

### Forberedelse

1. Under anvendelse af plæneklipperen skal De altid bære solidt fodtøj og lange bukser. Anvend ikke plæneklipperen med bare fødder eller åbne sandaler. Undgå at bære løst tøj eller smykker med løsthængende kæder eller slips. Disse kan sætte sig fast i de bevægelige dele.
2. Inden brug skal du altid visuelt efterse plæneklipperen for beskadigede, manglende eller forkert anbragte beskyttelsesskærme eller afskærmninger.
3. Sørg for, at der ikke er nogen personer i arbejdsområdet, inden arbejdet påbegyndes. Stop plæneklipperen, hvis der kommer nogen ind i området.
4. Bær altid beskyttelsesbriller for at beskytte dine øjne mod skader, når du bruger maskiner. Beskyttelsesbrillerne skal overholde ANSI Z87.1 i USA, EN 166 i Europa eller AS/NZS 1336 i Australien/New Zealand. I Australien/New Zealand er det desuden påbudt ved lov at bære ansigtsskærm for at beskytte dit ansigt.



Det er arbejdsgiverens ansvar at påbyde brugerne af maskinen samt andre personer i det umiddelbare arbejdsområde at bære passende sikkerhedsbeskyttelsesudstyr.

5. Inspicer omhyggeligt bladene eller boltene til bladene for revner og beskadigelse inden brugen. Revnede eller beskadigede blade eller bolte til bladene skal straks skiftes ud.
  6. Fjern fremmedlegemer såsom sten, ståltråd, flasker, ben eller store kæppe fra arbejdsområdet inden klipningen for at undgå personskade og skade på plæneklipperen.
  7. Genstande, der rammes af plæneklipperbladet, kan forårsage alvorlig personskade. Plænen bør altid undersøges omhyggeligt, og alle genstande skal fjernes inden hver plæneklipning.
  8. Se efter huller, hjulspor, buler, sten eller andre skjulte genstande. Ujævnt terræn kan forårsage et uheld, hvor du glider og falder. Højt græs kan skjule forhindringer.
  9. **Bær personligt beskyttelsesudstyr. Brug altid beskyttelsesbriller.** Beskyttelsesudstyr som f.eks. støvmaske, skridsikre sko, hjelm eller høreværn, der benyttes under de relevante forhold, forebygger personskade.
- Drift**
1. **Stræk dig ikke for langt. Bevar til enhver tid balancen. Sørg altid for et godt fodfæste på skråninger. Gå, løb aldrig.**
  2. **Stop plæneklipperen, sluk for maskinen, og sørg for, at alle bevægelige dele er stoppet helt:**
    - når De forlader plæneklipperen,
    - inden rengøring af tilstopninger eller rensning af rende,
    - inden inspektion, rengøring eller arbejde på plæneklipperen,
    - efter et fremmedlegeme er ramt. Inspicér plæneklipperen for beskadigelser, og udfør reparationer, inden du igen starter og anvender plæneklipperen,
    - når plæneklipperen begynder at vibrere unormalt.
  3. Anvend aldrig plæneklipperen med defekte dæksler eller skjolde eller uden sikkerhedsanordninger, f.eks. deflektor og/eller græskurv, på plads.
  4. Undgå at bruge plæneklipperen i dårligt vejr, især hvis der er risiko for lynnedslag.
  5. Bær til enhver tid øjebeskyttelse og solide sko, når du betjener plæneklipperen.
  6. Anvend kun plæneklipperen i dagslys eller i god kunstig belysning.
  7. Vær påpasselig med at starte plæneklipperen i overensstemmelse med instruktionerne og med fødderne på god afstand af bladet (bladene).
  8. Pas på personskade på fødder og hænder fra plæneklipperbladene.
  9. Sørg altid for, at ventilationsåbningerne holdes fri for rester.
  10. Køør plæneklipperen på tværs af skråninger, aldrig op og ned ad dem. Vær yderst forsigtig, når De skifter retning på skråninger. Anvend ikke plæneklipperen på meget stejle skråninger.
  11. Vær yderst forsigtig, når De bakker eller trækker plæneklipperen imod Dem selv.
  12. Stop bladet (bladene), hvis plæneklipperen skal vippes i transportøjemed, når andre overflader end græs krydses, og når plæneklipperen transporteres til og fra det område, hvor den skal anvendes.
  13. Vip ikke plæneklipperen, når De tænder for motoren, undtagen hvis plæneklipperen skal vippes for at starte den. I dette tilfælde må den ikke vippes mere end absolut nødvendigt, og kun den del, der vender væk fra operatøren, må løftes. Sørg altid for, at begge hænder er i betjeningspositionen, før plæneklipperen sættes tilbage på jorden.
  14. Anbring ikke hænder og fødder i nærheden af eller under de roterende dele. Hold Dem til enhver tid på god afstand af udlædningsåbningen.
  15. Transportér ikke plæneklipperen, mens der er tændt for den.
  16. Anvend ikke plæneklipperen i vådt græs.
  17. Hold altid godt fast i håndtaget.
  18. Tag ikke fat i de blotlagte skærebåde eller skærekanten, når plæneklipperen løftes eller holdes.
  19. Hold hænder og fødder på god afstand af de roterende blade. Forsigtig - bladene fortsætter med at dreje rundt, efter at der er slukket for plæneklipperen.
  20. Stop anvendelsen med det samme, hvis du bemærker noget usædvanligt. Sluk for plæneklipperen. Inspicér derefter plæneklipperen.
  21. Forsøg aldrig at foretage indstillinger af klippehøjden, mens plæneklipperen er i gang, hvis plæneklipperen har en funktion til justering af klippehøjde.
  22. Slip afbryderarmen, og vent på, at bladrotationen stopper, før du krydser indkørsler, fortove, veje og eventuelle grusbelagte områder. Sluk også for maskinen, hvis du forlader plæneklipperen, rækker ud for at samle noget op eller fjerne noget af vejen, eller af andre årsager, der kan distrahere dig fra det, du foretager dig.
  23. Hvis plæneklipperen rammer et fremmedlegeme, skal nedenstående trin følges:
    - Stop plæneklipperen, frigør afbryderarmen, og vent, indtil bladet er standset helt.
    - Afmontér akkuen.
    - Inspicér plæneklipperen grundigt for beskadigelse.
    - Skift bladet ud, hvis det på nogen måde er beskadiget. Reparér enhver skade, inden De igen starter plæneklipperen og fortsætter med at anvende den.
  24. Start ikke plæneklipperen, mens De står foran udlædningsåbningen.
  25. Hvis plæneklipperen begynder at vibrere unormalt (kontrollér straks)
    - inspicér for beskadigelse,
    - udskift eller reparér alle beskadigede dele,
    - kontrollér, om der er løse dele, og stram dem i så fald.
  26. Ret aldrig udkastet materiale mod nogen. Undgå udkastning af materiale mod en mur eller forhindring. Materiale kan blive kastet tilbage mod operatøren. Stop bladet når der køres over grusoverflader.

27. **Undlad at trække plæneklipperen tilbage medmindre det er absolut nødvendigt.** Når du er nødt til at bakke plæneklipperen tilbage fra et hegn eller lignende forhindring, skal du se ned og bagud, før og mens du bevæger dig baglæns.
28. **Sluk for motoren, og vent indtil bladet er helt standset, før du fjerner græsfangeren.** Vær opmærksom på, at bladene bevæger sig, efter at der er slukket.
29. **Vær opmærksom på Deres fodfæste, hvis De bruger maskinen på mudret jord, en våd skråning eller et glat sted.**
30. **Undlad at nedsænke maskinen i en vandpyt.**
31. **Ved betjening af maskinen skal du være opmærksom på rør og ledninger.**

#### Vedligeholdelse og opbevaring

1. **Skift af sikkerhedsårsager slidte eller beskadigede dele ud med nye.** Anvend kun originale udskiftningsdele og originalt tilbehør.
2. **Inspicer og vedligehold plæneklipperen regelmæssigt.**
3. **Når den ikke er brugt, skal du opbevare plæneklipperen utilgængeligt for børn.**
4. **Hold alle møtrikker, bolte og skruer stramme for at sikre, at udstyret er i sikker funktionsstand.**
5. **Inspicér hyppigt græskurven for slitage eller forringelse.** Kontrollér altid, at græskurven er tom inden opbevaring. Skift af sikkerhedsgrunde en udtjent græskurv ud med en fabriksny.
6. **Anvend kun originale blade fra fabrikanten, som er specificeret i denne brugsanvisning.**
7. **Vær påpasselig, når plæneklipperen justeres, således at De ikke får fingrene i klemme mellem plæneklipperens roterende blade og de faste dele.**
8. **Kontrollér med jævne mellemrum bladets befæstelsesbolt for den rigtige stramning.**
9. **Lad altid plæneklipperen køle af, inden den stilles til opbevaring.**
10. **Når De servicerer bladene, skal De være opmærksom på, at bladene stadig kan bevæge sig, selv om der er slukket for maskinen.**
11. **Fjern eller ændr aldrig sikkerhedsanordninger.** Kontrollér regelmæssigt at de fungerer ordentligt. Gør aldrig noget som kan interferere med den tilsigtede funktion af en sikkerhedsanordning eller for at reducere beskyttelsen fra en sikkerhedsanordning.
12. **Lad ikke maskinen ligge uovervåget udendørs i regnvej.**
13. **Undgå direkte sollys og regn ved opbevaring af maskinen, og opbevar den på et sted, hvor det ikke bliver varmt eller fugtigt.**

#### Brug og vedligeholdelse af batteriet

1. **Oplad kun med den oplader, som producenten angiver** En oplader, der passer til én type batteri, kan forårsage brand, hvis den anvendes med et andet batteri.
2. **Brug kun el-værktøjer sammen med de tilhørende batteripakker.** Brug af andre batteripakker kan forårsage personskade og brand.

3. **Når batteripakker ikke anvendes, skal de holdes borte fra andre metalgenstande som papirclips, mønter, nøgler, søm, skruer og andre små metalgenstande, der kan skabe forbindelse mellem terminalerne.** Hvis batteriets terminaler kortsluttes, kan det forårsage brand.
4. **I tilfælde af misbrug kan der sprøjte væske ud fra batteriet.** Undgå kontakt. Skyl med vand, hvis De kommer i kontakt med væsken. Søg læge, hvis De får væske i øjet. Væske, der sprøjter ud fra batteriet, kan medføre irritation eller forbrændinger.
5. **Undlad at bruge en akku eller maskine, der er beskadiget eller ændret.** Beskadigede eller ændrede batterier kan fungere uforudsigeligt og medføre brand, eksplosion eller risiko for personskade.
6. **Undlad at udsætte en akku eller maskine for brand eller høje temperaturer.** Udsættelse for brand eller temperaturer på over 130 °C kan medføre eksplosion.
7. **Følg alle instruktioner vedrørende opladning, og undlad at oplade akkuen eller maskinen uden for det temperaturinterval, der er angivet i instruktionerne.** Opladning, der udføres forkert eller ved temperaturer uden for det angivne temperaturinterval, kan beskadige batteriet og medføre øget risiko for brand.

#### Elektrisk sikkerhed og batterisikkerhed

1. **Undlad at kaste batterierne i åben ild.** Cellen kan eksplodere. Tjek de lokale regler for eventuelle særlige instruktioner vedrørende bortskaffelse.
2. **Undlad at åbne eller mishandle batterierne.** Lækket elektrolyt er ætsende og kan medføre skader på øjnene eller huden. Den kan være giftig, hvis den indtages.
3. **Undlad at oplade batteriet i regnvej eller under våde forhold.**
4. **Oplad ikke batteriet uden døre.**
5. **Håndter ikke oplader, herunder opladerstik, og opladerterminaler med våde hænder.**
6. **Undlad at udskifte batteriet i regnvej.**
7. **Undgå at gøre batteriets terminal våd med væsker som f.eks. vand eller at nedsænke batteriet.** Undlad at lade batteriet ligge i regnvej eller at oplade, bruge eller opbevare batteriet på et fugtigt eller vådt sted. Hvis terminalen bliver våd, eller der kommer væske ind i batteriet, kan batteriet blive kortslettet, og der er risiko for overopledning, brand eller eksplosion.
8. **Når De har fjernet batteriet fra maskinen eller opladeren, skal De sørge for at montere akku-dækslet på batteriet og opbevare det på et tørt sted.**
9. **Undlad at udskifte batteriet med våde hænder.**
10. **Undgå farlige miljøer.** Undlad at bruge maskinen på fugtige eller våde steder, og undlad at udsætte den for regn. Vand, der trænger ind i maskinen, øger risikoen for elektrisk stød.
11. **Hvis akkuen bliver våd, skal du tømme vandet ud og derefter tørre den med en tør klud. Tør akkuen helt på et tørt sted før brug.**

## Service

1. **Få udført service på el-værktøjet hos en autoriseret mekaniker, og brug kun tilsvarende reservedele.** Derved vedligeholdes el-værktøjets sikkerhed.
2. **Udfør aldrig service på beskadigede akkuer.** Service på akkuer må kun udføres af producenten eller af autoriserede reparatører.

## GEM DENNE BRUGSANVISNING.

**⚠ ADVARSEL:** LAD IKKE bekvemmelighed eller kendskab til produktet (opnået gennem gentagen brug) forhindre, at sikkerhedsforskrifterne for produktet nøje overholdes.

**MISBRUG** eller forsømmelse af at følge de i denne brugsvejledning givne sikkerhedsforskrifter kan føre til, at De kommer alvorligt til skade.

## Vigtige sikkerhedsinstruktioner for akkuen

1. Læs alle instruktioner og advarselmærkater på (1) akku-opladeren, (2) akkuen og (3) produktet, som anvender akku.
2. Adskil eller ændr ikke akkuen. Det kan muligvis resultere i en brand, overdreven varme eller eksplosion.
3. Hold straks op med anvendelsen, hvis brugstiden er blevet stærkt afkortet. Forsat anvendelse kan resultere i risiko for overophedning, forbrændinger og endog eksplosion.
4. Hvis De har fået elektrolytvæske i øjnene, skal De straks skylle den ud med rent vand og derefter øjeblikkeligt søge lægehjælp. I modsat fald kan De miste synet.
5. Vær påpasselig med ikke at komme til at kortslutte akkuen:
  - (1) Rør ikke ved terminalerne med noget ledende materiale.
  - (2) Undgå at opbevare akkuen i en beholder sammen med andre genstande af metal, for eksempel søm, mønter og lignende.
  - (3) Udsæt ikke akkuen for vand eller regn. Kortslutning af akkuen kan forårsage en kraftig øgning af strømmen, overophedning, mulige forbrændinger og endog værktøjstop.
6. Opbevar og brug ikke maskinen og akkuen på steder, hvor temperaturen muligvis kan nå eller overstige 50 °C.
7. Lad være med at brænde akkuen, selv ikke i tilfælde, hvor den har lidt alvorlig skade eller er fuldstændig udtjent. Akkuen kan eksplodere, hvis man forsøger at brænde den.
8. Slå ikke søm i, skår ikke i, knus, kast, tab ikke akkuen og stød ikke akkuen mod en hård genstand. Sådant adfærd kan muligvis resultere i en brand, overdreven varme eller eksplosion.
9. Anvend ikke en beskadiget akku.
10. De indbyggede litium-ion-batterier er underlagt lovkrav vedrørende farligt gods. Ved kommerciel transport, f.eks. af tredjeparts transportselskaber, skal særlige krav til forpakning og mærkning overholdes.

Ved forberedelse af udstyret til forsendelse skal du kontakte en ekspert i farligt gods. Overhold også eventuel mere detaljeret national lovgivning.

Tape eller tildæk åbne kontakter, og pak batteriet på en måde, så det ikke kan flytte sig rundt i pakningen.

11. **Når akkuen bortskaffes, skal du fjerne den fra maskinen og bortskaffe den på et sikkert sted. Følg de lokale love vedrørende bortskaffelsen af batterier.**
12. **Brug kun batterierne med de produkter, som Makita specificerer.** Hvis batterierne installeres i ikke-kompatible produkter, kan det medføre brand, kraftig varme, eksplosion eller udsivning af elektrolyt.
13. **Hvis maskinen ikke skal bruges i længere tid ad gangen, skal du fjerne batteriet fra maskinen.**
14. **Akkuen kan muligvis under og efter brug være varm, hvilket kan forårsage forbrændinger eller lavtemperaturforbrændinger. Vær påpasselig med håndtering af varme akkuer.**
15. **Rør ikke terminalen på maskinen straks efter brug, da den bliver varm nok til at forårsage forbrændinger.**
16. **Sørg for, at spåner, støv eller jord ikke sætter sig fast i akkuens terminaler, huller og riller.** Det kan forårsage opvarmning, antændelse, sprængning og funktionsfejl i maskinen eller akkuen, hvilket kan medføre forbrændinger eller personskade.
17. **Medmindre maskinen understøtter brugen i nærheden af elektriske højspændingsledninger, skal du ikke anvende akkuen i nærheden af elektriske højspændingsledninger.** Det kan muligvis medføre funktionsfejl på eller nedbrud af maskinen eller akkuen.
18. **Opbevar batteriet utilgængeligt for børn.**

## GEM DENNE BRUGSANVISNING.

**⚠ FORSIGTIG:** Brug kun originale batterier fra Makita. Brug af uoriginale Makita-batterier, eller batterier som er blevet ændret, kan muligvis medføre brud på batteriet, hvilket kan forårsage brand, personskade eller beskadigelse. Det ugyldiggør også Makita-garantien for Makita-maskinen og opladeren.

## Tips til opnåelse af maksimal akku-levetid

1. Oplad akkuen, inden den er helt afladet. Stop altid værktøjet, og oplad akkuen, hvis De bemærker, at værktøjeffekten er aftagende.
2. Genoplad aldrig en fuldt opladet akku. Overopladning vil afkorte akkuens levetid.
3. Oplad akkuen ved stuetemperatur ved 10 °C - 40 °C. Lad altid en varm akku få tid til at køle af, inden den oplades.
4. Når du ikke anvender akkuen, skal du fjerne den fra maskinen eller opladeren.
5. Oplad akkuen, hvis De ikke skal bruge den i længere tid (mere end seks måneder).



# SAMLING

**⚠ ADVARSEL:** Sørg altid for, at akkuen er fjernet, før du udfører noget arbejde på maskinen. Hvis du ikke fjerner akkuen, kan det medføre alvorlig personskade som følge af utilsigtet start.

**⚠ ADVARSEL:** Start aldrig plæneklipperen, medmindre den er fuldstændig samlet. Anvendelse af maskinen i kun delvist samlet tilstand kan medføre alvorlig personskade forårsaget af utilsigtet start.

## Montering af akku-dækslet

**⚠ ADVARSEL:** Undlad at sætte akkuen i, før akku-dækslet er monteret. Hvis du ikke gør det, kan det medføre alvorlig personskade.

Installer akku-dækslet helt før brugen. Akku-dækslet beskytter plæneklipperen og akkuen mod mudder, snavs og vand.

1. Anbring akku-dækslet, så de fremspringende dele på plæneklipperen og hullerne i akku-dækslet sidder ud for hinanden.

► **Fig.1:** 1. Fremspringende del 2. Hul 3. Akku-dæksel

2. Anbring hænderne midt på akku-dækslet, og tryk det ned.

► **Fig.2**

3. Sørg for, at akku-dækslet er forsvarligt fastgjort, og at akku-dækslet er låst forsvarligt med låsearmen.

► **Fig.3:** 1. Låsearm

## Montering af håndtaget

**⚠ FORSIGTIG:** Monter håndtagene forsvarligt.

**BEMÆRKNING:** Når du monterer håndtagene, skal du placere ledningen, så de ikke bliver fanget af noget mellem håndtagene. Hvis ledningen er beskadiget, fungerer plæneklipperkontakten muligvis ikke.

1. Placer begge ender af det nederste håndtag i rillerne på plæneklipperens krop, tilspænd derefter fastspændingshåndtagene, og fold derefter fastspændingshåndtagene sammen.

► **Fig.4:** 1. Fastspændingshåndtag 2. Nederste håndtag

Når du strammer fastspændingshåndtagene, skal du stramme dem, indtil ringene på håndtagene netop ikke kan ses.

► **Fig.5:** 1. Ring

**BEMÆRK:** Sørg for, at der ikke er noget mellemrum mellem det nederste håndtag og plæneklipperens krop, efter at fastspændingshåndtagene er foldet sammen.

► **Fig.6**

2. Juster hullet i det øverste håndtag med hullet i det nederste håndtag, indsæt derefter bolten udefra, og tilspænd derefter fingermøtrikken indefra. Udfør den samme procedure på den anden side.

► **Fig.7:** 1. Fingermøtrik 2. Bolt

**BEMÆRK:** Hold godt fast i det øverste håndtag, så det ikke glider ud af hånden på Dem.

## Afmontering af komposteringsproppen

1. Åbn bagdækslet.

► **Fig.8:** 1. Bagdæksel

2. Hold komposteringsproppen i håndtaget og træk den derefter ud fra plæneklipperens karosseri som vist på figuren.

► **Fig.9:** 1. Håndtag 2. Komposteringsprop

## Montering eller afmontering af græskurven

Følg nedenstående fremgangsmåde for at montere græskurven.

1. Åbn bagdækslet.

► **Fig.10:** 1. Bagdæksel

2. Hold i håndtaget på græskurven og sæt derefter krogen på græskurven på stangen på plæneklipperens karosseri som vist i illustrationen.

► **Fig.11:** 1. Stang 2. Håndtag 3. Græskurv

For at fjerne græskurven skal du åbne bagdækslet og derefter fjerne græskurven ved at holde i håndtaget.

## Montering af komposteringsproppen

1. Åbn bagdækslet, og fjern derefter græskurven.

► **Fig.12:** 1. Bagdæksel 2. Græskurv

2. Hold komposteringsproppen i håndtaget, og monter den derefter til plæneklipperens krop ved at skubbe den så langt som muligt, som vist på figuren.

► **Fig.13:** 1. Håndtag 2. Komposteringsprop



# FUNKTIONSBESKRIVELSE

**⚠️FORSIGTIG:** Sørg altid for, at maskinen er slukket, og at akkuen er fjernet, før du justerer eller kontrollerer funktionen på maskinen.

## Isætning eller fjernelse af akkuen

**⚠️FORSIGTIG:** Sluk altid for maskinen, før du monterer eller fjerner akkuen.

**⚠️FORSIGTIG:** Hold maskinen og akkuen fast, når du monterer eller fjerner akkuen. Hvis du ikke holder maskinen og akkuen fast, kan de glide ud af dine hænder og resultere i skader på maskinen, akkuen og en personskada.

**⚠️FORSIGTIG:** Sørg for, at akku-dækslet er låst inden brugen. Ellers kan mudder, snavs eller vand øve skade på produktet eller akkuen.

**⚠️FORSIGTIG:** Installer altid akkuen helt, så den røde indikator ikke kan ses. Ellers kan den falde ud af maskinen ved et uheld og forårsage personskada på dig eller personer i nærheden.

**⚠️FORSIGTIG:** Installer ikke akkuen med magt. Hvis akkuen ikke glider nemt ind, betyder det, at den ikke sættes korrekt ind.

**⚠️FORSIGTIG:** Hold godt fast i akku-dækslet, når du monterer eller afmonterer akkuen.

### Installation af akkuen:

1. Træk låsearmen op, og åbn derefter akku-dækslet.

► Fig.14: 1. Akku-dæksel 2. Låsearm

2. Justér tungen på akkuen med stikket på plæneklipperen, og skub derefter akkuen, indtil den låses på plads med et lille klik.

► Fig.15: 1. Akku

3. Luk akku-dækslet forsvarligt.

### Fjernelse af akkuen fra plæneklipperen:

1. Træk låsearmen op, og åbn akku-dækslet.

2. Træk akkuen ud fra plæneklipperen, mens knapen på forsiden af akkuen skydes i stilling.

3. Luk akku-dækslet.

## Beskyttelsessystem til maskinen/batteriet

Maskinen er udstyret med et beskyttelsessystem til maskinen/batteriet. Dette system afbryder automatisk strømmen til motoren for at forlænge maskinens og batteriets levetid. Maskinen stopper automatisk under brugen, hvis maskinen eller batteriet udsættes for et af følgende forhold.

### Overbelastningsbeskyttelse

Når maskinen/batteriet bruges på en måde, der får den/det til at forbruge en unormal mængde strøm, stopper maskinen automatisk, og indikatorlampen lyser rødt. Sluk i så fald for maskinen, og stop den anvendelse, der medførte, at maskinen blev overbelastet. Tænd derefter for maskinen for at starte den igen.

### Beskyttelse mod overophedning

Når maskinen er overophedet, stopper maskinen automatisk, og indikatorlampen lyser rødt. Lad maskinen køle ned, før der tændes for maskinen igen.

### Beskyttelse mod afladning

Når batteriladningen bliver lav, stopper maskinen automatisk, og indikatorlampen lyser rødt. Hvis maskinen ikke fungerer, selv når afbryderne betjenes, skal du afmontere batteriet fra maskinen og oplade batteriet.

### Beskyttelse mod andre årsager

Beskyttelsessystemet er også designet til andre årsager, der kan beskadige maskinen og gøre det muligt for maskinen at stoppe automatisk. Benyt følgende fremgangsmåde for at fjerne årsagerne, når maskinen er blevet midlertidigt stoppet eller stoppet under betjening.

1. Sluk for maskinen, og tænd den igen for at genstarte.
2. Oplad batteriet/batterierne, eller udskift det/med med genopladet/genopladede batteri/batterier.
3. Lad maskinen og batteriet/batterierne køle af.

Hvis der ikke kan findes nogen forbedring ved at genoprette beskyttelsessystemet, skal det lokale Makita-servicecenter kontaktes.

**BEMÆRKNING:** Hvis maskinen stopper på grund af en årsag, der ikke er beskrevet ovenfor, skal du se afsnittet om fejlfinding.

**BEMÆRK:** Det tidspunkt, hvor lampen tændes, afhænger af temperaturen i arbejdsområdet og akkuens tilstand.

## Indikation af den resterende batteriladning

► Fig.16: 1. Indikatorlampe

Når den resterende batteriladning bliver lav, blinker indikatorlampen rødt. Ved yderligere brug stopper maskinen, og indikatorlampen lyser rødt. I denne situation skal du oplade akkuen.

## Indikation af den resterende batteriladning

Tryk på kontrolknappen på akkuen for at få vist den resterende batteriladning. Indikatorlampen lyser i nogle sekunder.

► **Fig.17:** 1. Indikatorlamper 2. Kontrolknap

Indikatorlamper			Resterende ladning
Tændt	Slukket	Blinker	
■	□	▧	75% til 100%
■ ■ ■ ■			
■ ■ ■ ■	□		50% til 75%
■ ■ ■ ■	□ □		25% til 50%
■ ■ ■ ■	□ □ □ □		0% til 25%
▧	□ □ □ □		Genoplad batteriet.
■ ■ ■ ■	□ □ □ □		Der er muligvis fejl i batteriet.
	□ □ ■ ■	↑ ↓	

**BEMÆRK:** Afhængigt af brugsforholdene og den omgivende temperatur kan indikationen afvige en smule fra den faktiske ladning.

**BEMÆRK:** Den første indikatorlampe (længst mod venstre) vil blinke, når batteribeskyttelsessystemet aktiveres.

## Afbryderbetjening

**ADVARSEL:** Inden akkuen installeres, skal De altid kontrollere, at afbryderarmen fungerer, som den skal, og returnerer til udgangsstillingen, når den slippes. Anvendelse af en maskine med en afbryder, der ikke fungerer korrekt, kan føre til, at man mister herredømmet over maskinen med alvorlig personskaade som følge.

**BEMÆRK:** Plæneklipperen starter ikke, uden at De trykker på afbryderknappen, selv hvis afbryderarmen trækkes.

**BEMÆRK:** Plæneklipperen starter muligvis ikke pga. overbelastning, hvis De forsøger at slå højt eller tæt græs samtidig. Førøg i så fald klippehøjden.

Denne maskine er udstyret med en afbryderknop. Hvis du bemærker noget usædvanligt med afbryderknappen, skal du straks stoppe anvendelsen og få den kontrolleret af det nærmeste autoriserede Makita-servicecenter.

1. Montér akkuen, og luk derefter akku-dækslet ordentligt.

2. Træk afbryderarmen mod dig, mens du holder afbryderknappen nede. Slip afbryderknappen, når motoren begynder at køre.

► **Fig.18:** 1. Afbryderknop 2. Afbryderarm

3. Slip afbryderarmen for at stoppe motoren.

## Indstilling af klippehøjden

**ADVARSEL:** Stik aldrig en hånd eller et ben ind under plæneklipperen, når De indstiller klippehøjden.

**ADVARSEL:** Sørg altid for, at armen passer ordentligt ind i rillen inden brugen.

Klippehøjden kan indstilles inden for et interval mellem 20 mm og 75 mm.

Sluk for maskinen, og træk derefter justeringsarmen til klippehøjde udad på plæneklipperens krop, og flyt den til den ønskede klippehøjde.

► **Fig.19:** 1. Justeringsarm til klippehøjde

Tabellen nedenfor viser forholdet mellem nummeret på plæneklipperens karosseri og den omtrentlige klippehøjde.

Nummer	Klippehøjde
1	20 mm
2	29 mm
3	36 mm
4	44 mm
5	53 mm
6	61 mm
7	69 mm
8	75 mm

**BEMÆRK:** Tallene for klippehøjde må kun bruges som retningslinje. Afhængigt af brugsforholdene på plænen eller jorden kan den faktiske græshøjde afvige en smule i forhold til den indstillede højde.

**BEMÆRK:** Udfør en testklipping på et mindre løjnenfaldende sted for at opnå den ønskede højde.

## Græsniveauidikator

► **Fig.20:** 1. Græsniveauidikator

Græsniveauidikatoren viser mængden af det klippede græs.

- Hvis græskurven ikke er fuld, vil indikatoren bevæge sig under klipningen.
- Hvis græskurven er fuld, vil indikatoren ikke bevæge sig under klipningen. Hold i dette tilfælde straks op med at klippe græsset, og tøm kurven. Når kurven er tømt, skal De rengøre den, således at luften kan slippe ud gennem dens net.

**BEMÆRK:** Denne indikator er en omtrentlig retningslinje. Det er ikke sikkert, at indikatoren fungerer korrekt, det afhænger af forholdene i kurven.

## Indstilling af håndtagets højde

**⚠ FORSIGTIG:** Hold godt fast i det øverste håndtag, før boltene fjernes. Ellers kan håndtaget falde og forårsage personskade.

Håndtagets højde kan justeres i to niveauer.

1. Løsn fingermøtrikkerne på håndtaget, og afmonter derefter boltene og fingermøtrikkerne.  
► **Fig.21:** 1. Fingermøtrik
2. Juster håndtagets højde.
3. Indsæt boltene udefra, og tilspænd derefter fingermøtrikkerne indefra.

## Brug af komposteringsproppen

Med komposteringsproppen kan du returnere det afklippede græs til jorden uden at samle det afklippede græs i græskurven. Når du bruger maskinen sammen med komposteringsproppen, skal du sørge for at fjerne græskurven.

**BEMÆRKNING:** Når maskinen anvendes med komposteringsproppen, skal du sørge for, at den samlede længde af græs efter klipning er 30 mm eller mere, og at klippelængden er 15 mm eller mindre.

- **Fig.22:** (1) 30 mm eller mere (2) 15 mm eller mindre

## ANVENDELSE

### Klipning

**⚠ ADVARSEL:** Fjern grene og sten fra klippingsområdet inden klipningen. Fjern også på forhånd alt ukrudt fra klippingsområdet.

**⚠ ADVARSEL:** Bær altid beskyttelsesbriller eller sikkerhedsbriller med sideafskærmning, når De anvender plæneklipperen.

**⚠ FORSIGTIG:** Hvis det afklippede græs eller fremmedlegeme blokerer indersiden af plæneklipperens krop, skal du sørge for at afmontere akkuerne og bære handsker, før du fjerner græsset eller fremmedlegemet.

**BEMÆRKNING:** Brug kun denne maskine til at slå græs. Undlad at klippe ukrudt med maskinen.

- **Fig.23**

Hold godt fast i håndtaget med begge hænder, når De klipper græs.

Retningslinjen for græsklipningshastighed er ca. 2 til 4 sekunder pr. 1 meter.

- **Fig.24**

**BEMÆRK:** Når du slå en lang græsplæne eller en tæt græsplæne, skal du sænke klippehastigheden lavere end anbefalet i denne vejledning, eller hæve klippehøjden, hvis der konstateres ujævnheder i længden af græsplænen eller dårlig overflade efter slåning, eller hvis motorhastigheden falder under slåning.

Centerstregerne på forhjulene er retningslinjer for klippebredden. Klip i striber, idet centerstregerne bruges som retningslinjer. Overlap med halvdelen til en tredjedel af den forrige stribe for at klippe plænen jævnt.

- **Fig.25:** 1. Klippingsbredde 2. Overlappende område 3. Centerstreg

Skift klippingsretning hver gang for at forhindre, at græsmonsteret kun dannes i én retning.

- **Fig.26**

Kontrollér regelmæssigt græskurven for afklippet græs. Tøm græskurven, før den bliver fuld. Før hver periodisk kontrol skal du sørge for at stoppe og slukke maskinen.

**BEMÆRKNING:** Hvis plæneklipperen anvendes med græskurven fuld, kan der ikke opnås problemfri rotation af bladet, og motoren udsættes for ekstra belastning, hvilket kan føre til sammenbrud.

### Klipning af en plæne med højt græs

Forsøg ikke at klippe langt græs i en enkelt arbejds-gang. Klip i stedet græsset i flere trin. Hold en pause på en dag eller to mellem klipningerne, indtil plænen er ensartet kort.

**BEMÆRK:** Klipning af højt græs til en kort længde i en enkelt arbejds-gang kan bevirke, at græsset dør. Det afklippede græs kan også blokere plæneklipperens indvendige dele.

### Tømning af græskurven

**⚠ ADVARSEL:** For at reducere risikoen for ulykker skal De med jævne mellemrum efterse græskurven for beskadigelse eller forringet styrke. Udskift om nødvendigt græskurven.

1. Frigør afbryderarmen.
2. Fjern akkuen.
3. Åbn bagdækslet, og tag græskurven ud ved at holde i håndtaget.

- **Fig.27:** 1. Bagdæksel 2. Håndtag

4. Tøm græskurven.

# VEDLIGEHOJDELSE

**⚠ ADVARSEL:** Sørg altid for, at akkuen er taget ud af maskinen, før du opbevarer eller bærer maskinen eller forsøger på at udføre inspektion eller vedligeholdelse.

**⚠ ADVARSEL:** Bær altid handsker under udførelse af inspektion eller vedligeholdelse.

**⚠ ADVARSEL:** Bær altid beskyttelsesbriller eller sikkerhedsbriller med sideafskærmning, før De foretager inspektion eller vedligeholdelse.

**BEMÆRKNING:** Anvend aldrig benzin, rensebenzin, fortynder, alkohol og lignende. Det kan medføre misfarvning, deformation eller revner.

For at opretholde produktets SIKKERHED og PALIDELIGHED må reparation, vedligeholdelse eller justering kun udføres af et autoriseret Makita servicecenter eller fabrikksservicecenter med anvendelse af Makita reservedele.

## Vedligeholdelse

1. Fjern akkuen, og luk derefter akku-dækslet.
2. Læg plæneklipperen på siden. Rengør græsafklip, der er samlet på undersiden af plæneklipperdækket.
3. Hæld vand mod bunden af maskinen, hvor bladet er fastgjort.

**BEMÆRKNING:** Undlad at vaske maskinen med højtryksvand.

4. Kontrollér, at alle møtrikker, bolte, skruer osv. er strammet.
5. Inspicér de bevægelige dele for beskadigelse, brud og slitage. Beskadigede eller manglende dele skal repareres eller udskiftes.
6. Opbevar plæneklipperen på et sikkert sted, der er utilgængeligt for børn.

## Opbevaring

**⚠ FORSIGTIG:** Når maskinen anbringes i opretstående position, placeres maskinen på en flad og stabil overflade. Hvis maskinen er placeret på en ustabil overflade, kan maskinen vælte og forårsage personskaade.

Opbevar plæneklipperen indendørs på et køligt, tørt og aflåst sted. Opbevar ikke plæneklipperen og opladeren på steder, hvor temperaturen kan komme op på eller overstige 40 °C.

1. Fjern akkuen.
2. Fjern græskurven.
3. Fold fastspændingshåndtagene ud, fold derefter håndtaget og fold derefter fastspændingshåndtagene.  
▶ Fig.28: 1. Fastspændingshåndtag

4. Løsn fingermøtrikkerne på håndtaget, og fold derefter det øverste håndtag.  
▶ Fig.29: 1. Fingermøtrik 2. Øverste håndtag

5. Placer maskinen i opretstående position.

**BEMÆRK:** Når du placerer plæneklipperen i opretstående position, skal du ikke kun holde i håndtaget, men også i plæneklipperens krop og håndtag.

6. Opbevar græskurven mellem håndtaget og plæneklipperens karosseri.

▶ Fig.30: 1. Græskurv

## Sådan bæres plæneklipperen

**⚠ FORSIGTIG:** Før du bærer plæneklipperen, skal du sørge for, at akkuen er taget ud.

Når du bærer plæneklipperen, skal du holde i det bageste greb og den nederste holdedel på maskinens forside som vist på figuren.

▶ Fig.31: 1. Nederste holdedel 2. Bageste greb

## Afmontering eller montering af plæneklipperbladet

**⚠ ADVARSEL:** Fjern altid akkuen, når du fjerner eller monterer bladet. Hvis du ikke fjerner akkuen, kan det medføre alvorlig personskaade.

**⚠ ADVARSEL:** Bladet drejer rundt i et par sekunder, efter at afbryderen er frigjort. Undlad at starte nogen betjening, før bladet er standset helt.

**⚠ ADVARSEL:** Brug altid handsker, når De håndterer bladet.

## Fjernelse af plæneklipperbladet

1. Læg plæneklipperen på siden, så justeringsarmen til klippehøjden er på oversiden.
2. For at låse bladets rotation skal du indsætte en stift eller et værktøj som f.eks. en skruetrækker i et hul på plæneklipperens karosseri.
3. Drej bolten i retningen mod uret med topnøglen.  
▶ Fig.32: 1. Plæneklipperblad 2. Topnøgle 3. Skruetrækker 4. Hul

4. Fjern bolten og bladet i denne rækkefølge.  
▶ Fig.33: 1. Bladunderstøttelse 2. Plæneklipperblad 3. Bolt

## Montering af plæneklipperbladet

For at installere plæneklipperbladet skal De udføre proceduren for afmontering i modsat rækkefølge.

**⚠ ADVARSEL:** Monter plæneklipperbladet med forsigtighed. Det har en øverste og nederste flade.

**⚠ ADVARSEL:** Stram bolten godt til i retningen med uret for at fastgøre bladet.

**⚠ ADVARSEL:** Sørg for, at plæneklipperbladet og alle fastgørgingsdelene er monteret korrekt og strammet godt til.

**⚠ ADVARSEL:** Følg altid instruktionerne i denne brugsanvisning, når De udskifter bladene.

# FEJLFINDING

Udfør selv en inspektion, inden De anmoder om reparation. Hvis du opdager et problem, som ikke er forklaret i brugsanvisningen, må du ikke forsøge at skille maskinen ad. Rådfør Dem i stedet med et autoriseret Makita Servicecenter, og brug altid originale Makita udskiftningsdele til reparationer.

Unormal tilstand	Sandsynlig årsag (fejl)	Afhjælpning
Plæneklipperen starter ikke.	Akkuen er ikke monteret.	Monter den opladede akku.
	Akku-problem (underspænding)	Genoplad akkuen. Udskift akkuen, hvis genopladningen ikke er effektiv.
Motoren stopper efter kort tids brug.	Akkuens ladeniveau er lavt.	Genoplad akkuen. Udskift akkuen, hvis genopladningen ikke er effektiv.
	Klippehøjden er for lav.	Førøg klippehøjden.
Maks. antal omdrejninger pr. minut (RPM) nås ikke.	Akkuen er ikke sat ordentligt i.	Installér akkuen som beskrevet i denne brugsanvisning.
	Akkuens effekt mindskes.	Genoplad akkuen. Udskift akkuen, hvis genopladningen ikke er effektiv.
	Drivsystemet fungerer ikke korrekt.	Få et lokalt, autoriseret servicecenter til at reparere det.
Plæneklipperbladet roterer ikke: ⇒ Stop øjeblikkeligt plæneklipperen!	Et fremmedlegeme, f.eks. en gren, har sat sig fast i nærheden af bladet.	Fjern fremmedlegemet.
	Drivsystemet fungerer ikke korrekt.	Få et lokalt, autoriseret servicecenter til at reparere det.
Unormal vibration: ⇒ Stop øjeblikkeligt plæneklipperen!	Bladet er ubalanceret, ekstremt eller uensartet slidt.	Skift bladet ud med et nyt.

## EKSTRAUDSTYR

**⚠ FORSIGTIG:** Dette tilbehør og ekstraudstyr er anbefalet til brug med din Makita-maskine, der er beskrevet i denne brugsanvisning. Brug af andet ekstraudstyr eller tilbehør kan medføre risiko for personskade. Brug kun ekstraudstyr eller tilbehør til det formål, det er beregnet til.

Hvis De behøver hjælp ved valg af tilbehør eller ønsker yderligere informationer, bedes De kontakte Deres lokale Makita servicecenter.

- Plæneklipperblad
- Original Makita akku og oplader

**BEMÆRK:** Nogle ting på denne liste kan være inkluderet i produktpakken som standardtilbehør. De kan være forskellige fra land til land.

## SPECIFIKĀCIJAS

Modelis:		LM003G	LM004G
Pļaušanas platums (asmens diametrs)		380 mm	430 mm
Ātrums bez slodzes		3 800 min <sup>-1</sup>	
Pļaujmašīnas asmens rezerves daļas numurs	Taisns pļaujmašīnas asmens	1913G8-3	1913H4-8
	Mulčēšanas asmens	1913H0-6	1913H6-4
Izmēri (G × P × A)	ekspluatācijas laikā	G: no 1 370 mm līdz 1 420 mm P: 450 mm A: no 990 mm līdz 1 020 mm	G: 1 390–1 440 mm P: 460 mm A: 990–1 020 mm
	glabāšanas laikā (bez zāles groza)	520 mm x 450 mm x 880 mm	520 mm x 460 mm x 885 mm
Nominālais spriegums		Līdzstrāva 36 V–40 V maks.	
Neto svars		14,9 - 17,3 kg	15,6 – 18,2 kg
Aizsardzības pakāpe		IPX4	

- Nepārtrauktās izpētes un izstrādes programmas dēļ šeit uzrādītās specifikācijas var tikt mainītas bez brīdinājuma.
- Atkarībā no valsts specifikācijas var atšķirties.
- Svārs var būt atšķirīgs atkarībā no papildierīces (-ēm), tostarp akumulatora kasetnes. Tabulā ir attēlota vieglākā un smagākā kombinācija atbilstoši EPTA procedūrai 01/2014.

## Piemērotā akumulatora kasetne un lādētājs

Akumulatora kasetne	BL4020* / BL4025* / BL4040* / BL4050F* / BL4080F* *: Ieteicamais akumulators
Lādētājs	DC40RA / DC40RB / DC40RC

- Daži no iepriekš norādītajiem lādētājiem un akumulatora kasetnēm var nebūt pieejami atkarībā no jūsu mītnes reģiona.

**▲BRĪDINĀJUMS:** Izmantojiet vienīgi iepriekš norādītās akumulatora kasetnes un lādētājus. Cita tipa akumulatora kasetņu un lādētāju izmantošana var radīt traumu un/vai aizdegšanās risku.

**▲BRĪDINĀJUMS:** Ar šo darbarīku neizmantojiet strāvas apgādi, kas pievienota ar vadu, piemēram, akumulatora adapteri vai pārnēsājamo barošanas bloku. Šāda veida strāvas apgādes ierīces strāvas vads var traucēt darbību, tādējādi izraisot traumas.

## Simboli

Tālāk ir attēloti simboli, kas var attiekties uz darbarīka lietošanu. Pirms darbarīka izmantošanas pārliecinieties, vai pareizi izprotat to nozīmi.

	Esiet īpaši rūpīgs un uzmanīgs.
	Izlasiet lietošanas rokasgrāmatu.
	Bīstami! Sargieties no izvīstiem priekšmetiem.
	Attālumam starp ierīci un apkārtējiem jābūt vismaz 15 m.
	Nenovietojiet rokas un kājas pļaujmašīnas asmeņu tuvumā zem pļaujmašīnas. Pļaujmašīnas asmeņi turpina griezties arī pēc motora izslēgšanas.



Brīdinājums: pirms veicat apkopi, atvienojiet akumulatoru.



Tikai ES valstīm  
Tā kā šajā aprīkojumā ir bīstamas sastāvdaļas, elektrisko un elektronisko iekārtu, akumulatoru un bateriju atkritumi var negatīvi ietekmēt apkārtējo vidi un cilvēka veselību.  
Elektroierīces, elektroniskās ierīces un akumulatorus nedrīkst izmest kopā ar mājāsaimniecības atkritumiem!  
Saskaņā ar Eiropas direktīvu par elektrisko un elektronisko iekārtu atkritumiem, akumulatoriem un baterijām, kā arī akumulatoru un bateriju atkritumiem un šīs direktīvas pielāgošanu valsts tiesību aktiem elektrisko un elektronisko iekārtu, bateriju un akumulatoru atkritumi ir jāglabā atsevišķi un jānogādā uz sadzīves atkritumu dalītās savākšanas vietu, ievērojot attiecīgos vides aizsardzības noteikumus.  
Par to liecina uz iekārtas redzams simbols ar pārsvītrotu atkritumu konteineru uz rītniem.



Garantētais skaņas jaudas līmenis saskaņā ar ES Direktīvu par troksni ārpus telpām.



Skaņas jaudas līmenis saskaņā ar Austrālijas NSW trokšņu kontroles noteikumiem

## Paredzētā lietošana

Šī mašīna ir paredzēta zāles pļaušanai.

## Trokšņa līmenis

Tipiskais A svērtais trokšņa līmenis noteikts saskaņā ar EN62841-4-3:

### Modelis LM003G

Izmērītais skaņas jaudas līmenis ( $L_{WA}$ ): 90 dB (A)  
Garantētais skaņas jaudas līmenis ( $L_{WA}$ ): 93 dB (A)  
Skaņas spiediena līmeni ( $L_{pA}$ ): 83 dB (A)  
Skaņas spiediena līmeņa nenoteiktība (K): 3 dB (A)

### Modelis LM004G

Izmērītais skaņas jaudas līmenis ( $L_{WA}$ ): 90 dB (A)  
Garantētais skaņas jaudas līmenis ( $L_{WA}$ ): 93 dB (A)  
Skaņas spiediena līmeni ( $L_{pA}$ ): 81 dB (A)  
Skaņas spiediena līmeņa nenoteiktība (K): 3 dB (A)

**PIEZĪME:** Paziņotā trokšņa emisijas vērtība noteikta atbilstoši standarta pārbaudes metodei, un to var izmantot, lai salīdzinātu vienu darbarīku ar citu.

**PIEZĪME:** Paziņoto trokšņa emisijas vērtību arī var izmantot iedarbības sākotnējā novērtējumā.

**▲BRĪDINĀJUMS:** Lietojiet ausu aizsargus.

**▲BRĪDINĀJUMS:** Trokšņa emisija patiesos darba apstākļos var atšķirties no paziņotās vērtības atkarībā no darbarīka izmantošanas veida un jo īpaši atkarībā no apstrādājamā materiāla veida.

**▲BRĪDINĀJUMS:** Lai aizsargātu lietotāju, nosakiet drošības pasākumus, kas pamatoti ar iedarbību reālos darba apstākļos (ņemot vērā visus ekspluatācijas cikla posmus, piemēram, laiku, kamēr darbarīks ir izslēgts un kad darbojas tukšgaitā, kā arī palaides laiku).

## Vibrācija

Vibrācijas kopējā vērtība (trīsasu vektora summa) noteikta atbilstoši EN62841-4-3:

### Modelis LM003G

Vibrācijas izmete ( $a_h$ ): 2,5 m/s<sup>2</sup> vai mazāk  
Mainīgums (K): 1,5 m/s<sup>2</sup>

### Modelis LM004G

Vibrācijas izmete ( $a_h$ ): 2,5 m/s<sup>2</sup> vai mazāk  
Mainīgums (K): 1,5 m/s<sup>2</sup>

**PIEZĪME:** Paziņotā kopējā vibrācijas vērtība noteikta atbilstoši standartā pārbaudes metodei, un to var izmantot, lai salīdzinātu vienu darbarīku ar citu.

**PIEZĪME:** Paziņoto kopējo vibrācijas vērtību arī var izmantot iedarbības sākotnējā novērtējumā.

**▲BRĪDINĀJUMS:** Vibrācijas emisija patiesos darba apstākļos var atšķirties no paziņotās vērtības atkarībā no darbarīka izmantošanas veida un jo īpaši atkarībā no apstrādājamā materiāla veida.

**▲BRĪDINĀJUMS:** Lai aizsargātu lietotāju, nosakiet drošības pasākumus, kas pamatoti ar iedarbību reālos darba apstākļos (ņemot vērā visus ekspluatācijas cikla posmus, piemēram, laiku, kamēr darbarīks ir izslēgts un kad darbojas tukšgaitā, kā arī palaides laiku).

## Atbilstības deklarācijas

### Tikai Eiropas valstīm

Atbilstības deklarācijas šajā lietošanas rokasgrāmatā ir iekļautas kā A pielikums.

## DROŠĪBAS BRĪDINĀJUMI

### Vispārīgi elektrisko darbarīku drošības brīdinājumi

**▲BRĪDINĀJUMS** Izlasiet visus drošības brīdinājumus, norādījumus un tehniskos datus un izpētiet ilustrācijas, kas iekļautas šā elektriskā darbarīka komplektā. Neievērojot visus tālāk minētos noteikumus, iespējams elektriskās strāvas trieciens, aizdegšanās un/vai smagu traumu risks.

### Glabājiet visus brīdinājumus un norādījumus, lai varētu tajos ieskatīties turpmāk.

Termins „elektriskais darbarīks” brīdinājumos attiecas uz tādu elektrisko darbarīku, ko darbina ar elektrību (ar vadu), vai tādu, ko darbina ar akumulatoru (bez vada).

### Bezvada zāles pļaujmašīnas lietošanas drošības noteikumi

1. Neizmantojiet zāles pļaujmašīnu sliktos laikapstākļos, jo īpaši laikā, kad iespējams zibens. Tādējādi samazinās zibens trieciens risks.
2. Rūpīgi pārbaudiet, vai vietā, kurā izmantosit zāles pļaujmašīnu, nav savvaļas dzīvnieku. Zāles pļaujmašīnas izmantošanas laikā var savainot savvaļas dzīvniekus.
3. Rūpīgi pārbaudiet vietu, kurā izmantosit zāles pļaujmašīnu, un attīriet to no visiem akmeņiem, zariem, vadiem, kauliem un citiem svešķermeņiem. Objekti, kas atsitas, var radīt traumu.
4. Pirms izmantojat zāles pļaujmašīnu, vienmēr apskatiet, vai asmens un asmens mezgls nav nodilis vai bojāts. Nodilušas vai bojātas detaļas var paaugstināt traumu gūšanas risku.
5. Regulāri pārbaudiet, vai zāles uztvērējs nav nodilis vai nolietojies. Nodilis vai bojāts zāles uztvērējs var paaugstināt traumu gūšanas risku.



6. **Sargiem vienmēr jāatrodas paredzētajās vietās.** Lai varētu pareizi uzmontēt sargus, tiem jābūt darba kārtībā. Ja sargs uzstādīts vaļīgi, ir bojāts vai nedarbojas pareizi, var rasties traumas.
7. **Raugieties, lai dzesēšanas gaisa ieplūdes atveres nebūtu bloķētas.** Ja gaisa ieplūdes atveres ir aizklātas, zāles plaujmašīna var pārkarst un aizdegties.
8. **Strādājot ar zāles plaujmašīnu, vienmēr valkājiet nesfidošus aizsargapavus.** Nestrādājiet ar zāles plaujmašīnu, ja jums kājās nav apavu vai valkājāt atvērtas sandales. Tādējādi samazināsies kāju savainošanas risks, tām saskaroties ar kustīgu asmeni.
9. **Strādājot ar zāles plaujmašīnu, vienmēr valkājiet garās bikses.** Ja āda nav apklāta, ir lielāka varbūtība savainoties ar atlecošiem objektiem.
10. **Neizmantojiet zāles plaujmašīnu slapjā zālē.** Pārvielojieties ejot, nekad neskrieniet. Tādējādi būs mazāks risks paslīdēt un pakrist, kas varētu radīt traumas.
11. **Neizmantojiet zāles plaujmašīnu pārāk stāvās nogāzēs.** Tādējādi būs mazāks risks zaudēt kontroli, paslīdēt un pakrist, kas varētu radīt traumas.
12. **Strādājot uz nogāzēm, vienmēr nodrošiniet kāju atbalstu, vienmēr strādājiet šķērsvirzienā nogāzes slīpumam, bet nekad virzienā uz leju vai uz augšu, un ievērojiet īpašu piesardzību, mainot virzienu.** Tādējādi būs mazāks risks zaudēt kontroli, paslīdēt un pakrist, kas varētu radīt traumas.
13. **Esiet īpaši uzmanīgi, apgriežot zāles plaujmašīnu vai velkot to pret sevi.** Vienmēr apzinieties, kas jums ir apkārt. Tādējādi, izmantojot zāles plaujmašīnu, samazināsies pakļupšanas risks.
14. **Nepieskarieties asmeņiem un kustīgām bīstamām detaļām, kamēr tās kustas.** Tādējādi samazinās risks gūt traumas no kustīgām detaļām.
15. **Tirot iestrēgušus materiālus vai tirot zāles plaujmašīnu, raugieties, lai visi slēdži būtu izslēgti un akumulatora kasetne atvienota.** Negaidīta zāles plaujmašīnas ieslēgšanās var izraisīt smagas traumas.

## SAGLABĀJIET ŠOS NORĀDĪJUMUS.

**▲BRĪDINĀJUMS:** NEPIEĻAUJIET to, ka labu iemaņu vai izstrādājuma labas pārzināšanas (darbarīku atkārtoti ekspluatējot) rezultātā vairs stingri neievērojat šī izstrādājuma drošības noteikumus.

NEPAREIZI LIETOJOT darbarīku vai neievērojot šajā instrukciju rokasgrāmatā minētos drošības noteikumus, var tikt gūtas smagas traumas.

## SVARĪGI DROŠĪBAS NOTEIKUMI

**▲BRĪDINĀJUMS:** Izlasiet visus drošības brīdinājumus un visus norādījumus. Brīdinājumu un norādījumu neievērošanas gadījumā var rasties elektriskās strāvas trieciens, ugunsgrēks un/vai nopietnas traumas.

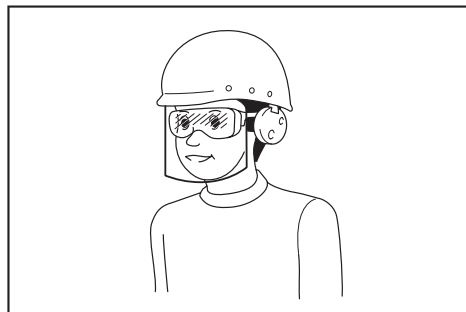
## Glabājiet visus brīdinājumus un norādījumus, lai varētu tajos ieskatīties turpmāk.

### Apmācība

1. **Uzmanīgi izlasiet norādījumus.** Izprotiet plaujmašīnas vadības funkcijas un pareizas izmantošanas instrukcijas.
2. **Nekādā gadījumā nepieļaujiet, ka zāles plaujmašīnu izmanto bērni vai cilvēki, kas nepārzina šos norādījumus plaujmašīnas izmantošanai.** Vietējie noteikumi var ierobežot lietotāja vecumu.
3. **Nekādā gadījumā nestrādājiet ar plaujmašīnu, ja tuvumā ir cilvēki (īpaši bērni) vai dzīvnieki.**
4. **Ņemiet vērā, ka operators vai lietotājs ir atbildīgs par negadījumiem vai apdraudējumu, kas radīts citiem cilvēkiem vai to īpašumam.**
5. **Bērni ir jāuzrauga, lai tie nerotaļātos ar plaujmašīnu.**
6. **Fiziskais stāvoklis — nedarbiniet plaujmašīnu, ja esat narkotiku, alkohola vai zāļu ietekmē.**

### Sagatavošanās

1. **Izmantojot plaujmašīnu, vienmēr valkājiet izturīgus apavus un garās bikses.** Nelietojiet plaujmašīnu, ja kājas ir basas vai valkājāt atvērtas sandales. Nevalkājiet apģērbu vai rotaslietas, kas ir vaļīgas vai kam ir auklas vai saites. Tās var ieķērties kustīgajās daļās.
2. **Pirms lietošanas vienmēr pārbaudiet, vai plaujmašīnas aizsargi vai vairogņi nav bojāti, pazuduši vai uzstādīti nepareizi.**
3. **Pirms plaušanas pārbaudiet, vai darba zonā nav citu cilvēku.** Apturiet plaujmašīnu, ja kāds ienāk darba zonā.
4. **Kad izmantojat mehāniskos darbarīkus, vienmēr valkājiet aizsargbrilles, lai pasargātu acis.** Aizsargbrillēm jāatbilst šādiem standartiem: ANSI Z87.1 ASV, EN 166 Eiropā un AS/NZS 1336 Austrālijā/Jaunzēlandē. Austrālijā/Jaunzēlandē ar likumu noteikts, ka darba laikā jāizmanto arī sejsargs.



Darba devējam ir jānodrošina tas, lai darbarīka operatori un citas tiešajā darba vietā esošās personas izmantotu vajadzīgo aizsargaprīkojumu.

5. Pirms ekspluatācijas rūpīgi pārbaudiet, vai asmeņiem vai asmeņu bultskrūvēm nav plaisu vai bojājumu. Iepazīstieties ar bojātus asmeņus vai asmeņu bultskrūves nekavējoties nomainiet.
6. Pirms plaušanas atīriet darba zonu no svešķermeņiem, piemēram, akmeņiem, stieplēm, pudelēm, kauliem un lieliem zariem, lai nevienam netraumētu un nesabojātu plaujmašīnu.
7. Plaujmašīnas asmens aizkerte priekšmeti var izraisīt smagas traumas. Pirms plaušanas vienmēr rūpīgi pārbaudiet, vai zālienā nav svešķermeņu.
8. Uzmanieties no bedrēm, grambām, uzkalniņiem, akmeņiem un grūti pamanāmiem priekšmetiem. Strādājot uz nelīdzenas virsmas, varat paslīdēt un nokrist, tādējādi gūstot traumas. Garā zālē var būt grūti pamanāmi šķēršļi.
9. Izmantojiet individuālos aizsardzības līdzekļus. Vienmēr lietojiet aizsargbrilles. Attiecīgos apstākļos lietojot aizsarglīdzekļus, piemēram, putekļu masku, aizsargapavus ar neslīdošu zoli, aizsargķiveri un ausu aizsargus, mazināsiet traumu risks.
11. Īpaši uzmanieties, strādājot atpakaļgaitā vai velkot plaujmašīnu pie sevis.
12. Apturiet asmeni(-ņus), ja plaujmašīna ir jāsa-  
ver, pārvietojt vai šķērsojot virsmu, kas nav zāle, kā arī pārvietojot plaujmašīnu uz plauša-  
nas vietu un no tās.
13. Iedarbinot motoru, nenasveriet plaujmašīnu, ja tikai tas nav jādara, lai tā sāktu darboties. Šādā gadījumā nenasveriet to vairāk, kā nepieciešams, un paceliet tikai to daļu, kas nav lieto-  
tāja tuvumā. Pirms plaujmašīnas novietošanas atpakaļ uz zemes vienmēr pārliecinieties, ka abas rokas atrodas darba pozīcijā.
14. Plaukstas vai pēdas nelieciet rotējošo detaļu tuvumā vai zem tām. Nekad nestāviet izvades atvērums tuvumā.
15. Netransportējiet plaujmašīnu, ja tā ir ieslēgta.
16. Nelietojiet plaujmašīnu mitrā zālē.
17. Rokturī vienmēr turiet cieši.
18. Paceļot vai turot plaujmašīnu, nesatveriet to aiz asmeņiem.
19. Rokas un kājas netuviniet rotējošiem asmeņiem. Uzmani! Asmeņi turpina griezties arī pēc plaujmašīnas izslēgšanas.

### Ekspluatācija

1. Nesniedzieties pārāk tālu. Vienmēr saglabājiet līdzsvaru. Strādājot nogāzē, raugieties, lai kāju atbalsts būtu stabils. Pārvietojieties ejot, nekad neskrieniet.
2. Apturiet plaujmašīnu, izslēdziet mašīnu un pārliecinieties, vai visas kustīgās daļas ir pilnībā apstājušās:
  - ja atstājat plaujmašīnu bez uzraudzības;
  - pirms nosprostojumu tīrīšanas vai izlaides teknes tīrīšanas;
  - pirms plaujmašīnas pārbaudīšanas, tīrīšanas vai remontēšanas;
  - pēc sadursmes ar kādu priekšmetu.
 Pārbaudiet, vai plaujmašīnai nav bojājumu, un pirms plaujmašīnas atkārtotas iedarbināšanas un lietošanas veiciet remontu,
  - ja plaujmašīna sāk neparasti vibrēt.
3. Nekādā gadījumā nelietojiet plaujmašīnu, ja bojāti tās aizsargi vai vairogi vai ja nav uzstādītas drošības ierīces, piemēram, deflektori un/ vai zāles grozs.
4. Neizmantojiet plaujmašīnu sliktos laikapstākļos, jo īpaši laikā, kad iespējams zibens.
5. Strādājot ar plaujmašīnu, vienmēr izmantojiet acu aizsarglīdzekļus un valkājiet izturīgus apavus.
6. Plaujmašīnu izmantojiet tikai dienas gaismā vai labā mākslīgajā apgaismojumā.
7. Plaujmašīnu iedarbiniet uzmanīgi saskaņā ar norādījumiem un netuvinot pēdas asmeņim(-ņiem).
8. Uzmanieties, lai plaujmašīnas asmens nesavainotu jūsu kājas un rokas.
9. Vienmēr nodrošiniet, lai ventilācijas atverēs nebūtu netīrumu.
10. Plaujiet slīpi pāri nogāzei, nekad nepļaujiet uz augšu vai uz leju. Mainot virzienu nogāzēs, uzmanieties īpaši. Nepļaujiet pārāk stāvas nogāzes.
20. Ja ievērojāt ko neparastu, nekavējoties pārtrauciet darbu. Izslēdziet plaujmašīnu. Pēc tam pārbaudiet plaujmašīnu.
21. Ja plaujmašīnai ir griešanas augstuma regulēšanas funkcija, nekad nemēģiniet regulēt griešanas augstumu, kamēr plaujmašīna darbojas.
22. Pirms piebraucamo ceļu, taku, ceļu un ar granti klātu vietu šķērsošanas atlaidiet slēdža sviru un ļaujiet asmeņim apstāties. Turklāt arī izslēdziet plaujmašīnu, ja atstājat to, sniedzaties kaut ko pacelt vai cenšaties noņemt kādu šķērslī, kā arī citu apstākļu gadījumā, kas neļauj pilnībā koncentrēties veicamajam darbam.
23. Ja plaujmašīna trāpa kādam objektam, rīkojieties šādi:
  - Apturiet plaujmašīnu, atlaidiet slēdža sviru un uzgaidiet, līdz asmens pilnībā apstājas.
  - Izmēģiniet akumulatora kasetni.
  - Rūpīgi pārbaudiet, vai plaujmašīnai nav bojājumu.
  - Nomainiet asmeni, ja tas ir bojāts. Bojājumu novērsiet pirms plaujmašīnas atkārtotas iedarbināšanas un turpināšanas.
24. Neiedarbiniet plaujmašīnu, ja stāvat pretī izvades atvērsumam.
25. Ja plaujmašīna sāk neparasti vibrēt (nekavējoties pārbaudiet)
  - pārbaudiet, vai nav bojājumu;
  - nomainiet vai saremontējiet bojātas daļas;
  - pārbaudiet un pieskrūvējiet vajīgās detaļas.
26. Nekad nevērsiet izvadīto materiālu pret citiem cilvēkiem. Materiālu nedrīkst izvadīt pret sienu vai kādu citu šķērslī. Materiāls pēc rikošeta var lidot operatora virzienā. Šķērsojot akmeņainas virsmas, apstādiniet asmeni.
27. Nevelciet plaujmašīnu atpakaļgaitā, ja tikai tas nav absolūti nepieciešams. Ja esat spiests vilkt plaujmašīnu atpakaļgaitā prom no zoga vai cita šķēršļa, vispirms un arī kustības laikā skatieties uz leju un aizmuguri.

28. Pirms zāles uztvērēja izņemšanas izslēdziet motoru un uzgaidiet, līdz asmens ir pilnībā apstājies. Ņemiet vērā, ka asmens pēc izslēgšanas turpina kustēties inerces dēļ.
29. Izmantojot ierīci dubļainā vietā, uz mitras sliņas virsmas vai slidenā vietā, raugieties, lai kājām būtu stabils atbalsts.
30. Negremdējiet ierīci peļķē.
31. Darbarīka izmantošanas laikā pievērsiet uzmanību caurulēm un vadiem.

#### Apkope un glabāšana

1. Drošības nolūkā nomainiet nodilušas vai nolietotas daļas. Izmantojiet tikai oriģinālās rezerves daļas un piederumus.
2. Regulāri pārbaudiet pļaujmašīnu un veiciet tās apkopi.
3. Kad pļaujmašīnu neizmantojat, glabājiet to bērniem nepieejamā vietā.
4. Visus uzgriežņus, bultskrūves un skrūves uzturiet cieši pievilktus, lai aprīkojums aizvien būtu drošā darba stāvoklī.
5. Regulāri pārbaudiet, vai zāles grozs nav nodilis vai nolietojies. Kad ierīci liekat glabāšanā, pārbaudiet, vai zāles grozs ir tukšs. Nodilušu zāles grozu drošības nolūkā nomainiet pret jaunu rūpnīcas rezerves grozu.
6. Izmantojiet tikai šajā rokasgrāmatā norādītos ražotāja oriģinālos asmeņus.
7. Uzmanieties, regulējot pļaujmašīnu, lai pirksti neiesprūstu starp ierīces kustīgajiem asmeņiem un fiksētajām daļām.
8. Bieži pārbaudiet, vai stiprinājuma skrūve pievilkta pietiekami cieši.
9. Pirms novietošanas glabātavā ļaujiet pļaujmašīnai atdzist.
10. Veicot asmeņu apkopi, ņemiet vērā, ka, lai gan barošanas avots ir izslēgts, asmeņus joprojām var pārvietot.
11. Nekad neizņemiet no neizjauciet drošības ierīces. Regulāri pārbaudiet, vai tās darbojas pareizi. Nekad neveiciet darbības, kas varētu traucēt drošības ierīces darbību vai samazināt aizsardzību, ko sniedz drošības ierīce.
12. Lietus laikā neatstājiet pļaujmašīnu ārpus telpām bez uzraudzības.
13. Novietojot ierīci glabāšanai, izvairieties no tiešiem saules stariem un lietus un novietojiet to vietā, kur nekļūst karsts vai mitrs.

#### Bezvada darbarīka lietošana un apkope

1. Uzlādei izmantojiet tikai ražotāja norādītos lādētājus. Vienam akumulatoru tipam paredzēta uzlādētāja izmantošana cita tipa akumulatoru uzlādei var radīt aizdegšanās bīstamību.
2. Izmantojiet mehanizētos darbarīkus tikai ar paredzētajiem akumulatoriem. Jebkura cita tipa akumulatoru izmantošana var radīt traumu un aizdegšanās bīstamību.
3. Kamēr akumulators netiek izmantots, neturiet to blakus metāla priekšmetiem, piemēram, saspaudēm, monētām, atslēgām, naglām, skrūvēm un citiem nelieliem metāla priekšmetiem, kas var savienot izvadus. Akumulatora spaiļu īssavienojums var izraisīt apdegumus vai aizdegšanos.

4. Nepareizas lietošanas gadījumā no akumulatora var izteciēt šķidrums, nepieskarieties tam. Ja nejausi pieskārties šķidrumam, noskalojiet skarto vietu ar ūdeni. Ja šķidrums nokļūst acīs, papildus iepriekš minētajam, vērsieties pie ārsta. No akumulatora izteciējušais šķidrums var izraisīt kairinājumu vai apdegumus.
5. Ja akumulatora bloks vai darbarīks ir bojāts vai pārveidots, nelietojiet to. Bojāti vai pārveidoti akumulatori var darboties nepareizi, izraisot aizdegšanos, sprādzienu vai traumu.
6. Akumulatora bloku un darbarīku nepakļaujiet uguns un pārmērīgi augstas temperatūras ietekmei. Ja akumulatora bloks vai darbarīks tiek pakļauts uguns vai par 130 °C augstākas temperatūras iedarbībai, var notikt sprādziens.
7. Izpildiet visus uzlādes norādījumus un neuzlādējiet akumulatora bloku ārpus norādītajiem noteiktā temperatūras diapazona. Nepareiza uzlāde vai temperatūra, kas ir ārpus noteiktā diapazona, var sabojāt akumulatoru un palielināt aizdegšanās draudus.

#### Elektrodrošība un akumulatora drošība

1. Neatbrīvojieties no akumulatora(-iem), to(-s) dedzinot. Var rasties eksplozija. Skatiet attiecīgos valsts noteikumus, lai uzzinātu īpašus norādījumus izmešanai atkritumos.
2. Akumulatoru(-s) nedrīkst atvērt vai sabojāt. Izteciējušais elektrolīts ir kodīgs un var nodarīt kaitējumu acim vai ādai. Norijot tas var būt toksisks.
3. Nelādējiet akumulatoru lietū vai mitrās vietās.
4. Nelādējiet akumulatoru ārpus telpām.
5. Neaiztieciot lādētāju, kā arī lādētāja spraudni vai spaiļes ar slapjām rokām.
6. Neveiciet akumulatora nomaiņu lietū.
7. Nesamitriniet izvadu vai akumulatoru ar šķidrumu, piemēram, ūdeni, vai neiegremdējiet akumulatoru. Neatstājiet akumulatoru lietū, kā arī nelādējiet, neizmantojiet vai neglabājiet akumulatoru mitrā vai slapjā vietā. Ja izvads kļūst mitrs vai akumulatorā iekļūst šķidrums, akumulatorā var rasties īsslēgums un pastāv pārkaršanas, aizdegšanās vai sprādziena risks.
8. Pēc akumulatora izņemšanas no ierīces vai lādētāja raugieties, lai akumulatora vāks tiek piestiprināts pie akumulatora, un glabājiet to sausā vietā.
9. Nemainiet akumulatoru ar mitrām rokām.
10. Izvairieties no bīstamas vides. Neizmantojiet darbarīku mitrās vai slapjās vietās un lietū. Ja darbarīkā iekļūst ūdens, palielinās elektriskās strāvas trieciena rašanās risks.
11. Ja akumulatora kasetnē iekļūst ūdens, noteiciet ūdeni un izslaukiet kasetni ar sausu drānu. Pirms lietošanas pilnībā nožāvējiet akumulatora kasetni sausā vietā.

#### Apkope

1. Uzticiet sava elektriskā darbarīka apkopi kvalificētam remontstrādniekam, izmantojiet tikai identiskas rezerves daļas. Tas garantēs to, ka elektriskā darbarīka drošības pakāpe nesamazināsies.
2. Nekādā gadījumā nelietojiet bojātus akumulatora blokus. Akumulatora bloka apkopi drīkst veikt tikai to ražotājs vai pilnvaroti apkopes centri.

## SAGLABĀJIET ŠOS NORĀDĪJUMUS.

**▲BRĪDINĀJUMS:** NEPIEĻAUJIET to, ka labu iemaņu vai izstrādājuma labas pārzināšanas (darbarīku atkārtoti ekspluatējot) rezultātā vairs stingri neievērojāt šī izstrādājuma drošības noteikumus.

**NEPAREIZI LIETOJOT** darbarīku vai neievērojot šajā instrukciju rokasgrāmatā minētos drošības noteikumus, var tikt gūtas smagas traumas.

## Svarīgi drošības norādījumi par akumulatora kasetni

1. Pirms akumulatora lietošanas izlasiet visus norādījumus un brīdinājumus, kuri attiecas uz (1) akumulatora lādētāju, (2) akumulatoru un (3) ierīci, kurā tiek izmantots akumulators.
2. Akumulatora kasetni nedrīkst ne pārveidot, ne izjaukt. Citādi var tikt izraisīta aizdegšanās, pārmērīgs karstums vai sprādziens.
3. Ja akumulatora darbības laiks kļūva ievērojami īsāks, nekavējoties pārtrauciet to izmantot. Citādi, tas var izraisīt pārkarsējumu, uzliesmojumu vai pat sprādzienu.
4. Ja elektrolīts nonāk acīs, izskalojiet tās ar tīru ūdens un nekavējoties griezieties pie ārsta. Tas var izraisīt redzes zaudēšanu.
5. Neradiet īssavienojumu akumulatora kasetnē:
  - (1) Nepieskarieties spaiļēm ar elektrību vadošiem materiāliem.
  - (2) Neuzglabājiet akumulatoru kasetni kopā ar citiem metāla priekšmetiem, tādiem kā naglas, monētas u. c.
  - (3) Nepakļaujiet akumulatora kasetni ūdens vai lietus iedarbībai.Akumulatora īssavienojums var radīt spēcīgu strāvas plūsmu, pārkarsānu, uzliesmojumu un pat sabojāt akumulatoru.
6. Neglabājiet un neizmantojiet darbarīku un akumulatora kasetni vietās, kur temperatūra var sasniegt vai pārsniegt 50 °C (122 °F).
7. Nededziniet akumulatora kasetni, pat ja tā ir stipri bojāta vai pilnībā nolietota. Akumulatora kasetne ugunī var eksplodēt.
8. Akumulatora kasetni nedrīkst naglot, griezt, saspīest, mest vai nomet, kā arī pa to nedrīkst sist ar cietu priekšmetu. Šādas darbības var izraisīt aizdegšanos, pārmērīgu karstumu vai sprādzienu.
9. Neizmantojiet bojātu akumulatoru.
10. Uz izmantotajiem litija jonu akumulatoriem attiecas likumdošanas prasības par bīstamiem izstrādājumiem.  
Komerציאלā transportēšanā, ko veic, piemēram, trešās puses, transporta uzņēmumi, jāievēro uz iesaiņojuma un marķējuma norādītās īpašās prasības.  
Lai izstrādājumu sagatavotu nosūtīšanai, jāsaziņās ar bīstamo materiālu speciālistu. Ievērojiet arī citus attiecināmos valsts normatīvus.  
Vajējus kontaktus nosedziet ar līmlenti vai citādi pārklājiet, bet akumulatoru iesaiņojiet tā, lai sāini tas nevarētu izkustēties.

11. Lai utilizētu akumulatora kasetni, izņemiet to no darbarīka un likvidējiet drošā vietā. Ievērojiet vietējos noteikumus par akumulatora likvidēšanu.
12. Izmantojiet šos akumulatorus tikai ar izstrādājumiem, kurus norādījis Makita. Ievietojot šos akumulatorus nesaderīgās izstrādājumos, var rasties ugunsgrēks, pārmērīgs karstums, tie var uzsprāgt vai no tiem var iztecēt elektrolīts.
13. Ja darbarīks netiks lietots ilgu laiku, no tā jāizņem akumulators.
14. Lietošanas laikā vai pēc tās akumulatora kasetne var uzkrāt siltumu, kas var izraisīt apdegumus vai zemas temperatūras apdegumus. Ar karstu akumulatora kasetni apejieties rūpīgi.
15. Nepieskarieties darbarīka izvadam uzreiz pēc lietošanas, jo tas var būt sakarsis un izraisīt apdegumus.
16. Neļaujiet akumulatora kasetnes spaiļēs, atvērēs un ievāēs uzkrāties skaidām, putekļiem vai netīrumiem. Tas var izraisīt sasilšanu, aizdegšanos, sprādzienu instrumenta vai akumulatora kasetnes nepareizu darbību, un lietotājs var gūt apdegumus vai ievainojumus.
17. Neizmantojiet akumulatora kasetni augstsprieguma līniju tuvumā, izņemot gadījumus, kad darbarīks ir piemērots lietošanai augstsprieguma līniju tuvumā. Citādi darbarīks vai akumulatora kasetne var sākt darboties nepareizi vai tikt sabojāti.
18. Glabājiet akumulatoru bērniem nepieejamā vietā.

## SAGLABĀJIET ŠOS NORĀDĪJUMUS.

**▲UZMANĪBU:** Lietojiet tikai oriģinālos Makita akumulatorus. Ja lietojat neoriģinālus Makita akumulatorus vai pārveidotus akumulatorus, tie var uzsprāgt un izraisīt aizdegšanos, traumas un materiālos zaudējumus. Tikas anulēta arī Makita darbarīka un lādētāja garantija.

## Ieteikumi akumulatora kalpošanas laika pagarināšanai

1. Uzlādējiet akumulatora kasetni, pirms tā ir pilnībā izlādējusies. Vienmēr, kad ievērojāt, ka darbarīka darba jauda zudusi, apturiet darbarīku un uzlādējiet akumulatora kasetni.
2. Nekad neuzlādējiet pilnībā uzlādētu akumulatora kasetni. Pārmērīga uzlāde saīsina akumulatora kalpošanas laiku.
3. Uzlādējiet akumulatora kasetni istabas temperatūrā 10 °C - 40 °C. Karstai akumulatora kasetnei pirms uzlādes ļaujiet atdzist.
4. Kad akumulatora kasetne netiek izmantota, izņemiet to no darbarīka vai lādētāja.
5. Uzlādējiet litija jonu akumulatora kasetni, ja to ilgstoši nelietosit (vairāk nekā sešus mēnešus).

# MONTĀŽA

**▲BRĪDINĀJUMS:** Pirms jebkādu darbu veikšanas ar ierīci obligāti pārbaudiet, vai akumulatora kasetne ir izņemta. Ja neizņem akumulatora kasetni, ierīces nejausa ieslēgšanās var izraisīt nopietnus ievainojumus.

**▲BRĪDINĀJUMS:** Neieslēdziet plaujmašīnu, ja tā nav pilnībā salikta. Nejaushi ieslēdzot daļēji saliktu plaujmašīnu, var gūt smagas traumas.

## Akumulatora vāka uzstādīšana

**▲BRĪDINĀJUMS:** Neievietojiet akumulatora kasetni pirms akumulatora vāka uzstādīšanas. Neievērojot šo noteikumu, var gūt nopietnus ievainojumus.

Pirms plaujmašīnas lietošanas pilnībā uzstādiet akumulatora vāku. Akumulatora vāks plaujmašīnu un akumulatora kasetni aizsargā pret dubļiem, netīrumiem un ūdeni.

1. Novietojiet akumulatora pārsegu uz plaujmašīnas tā, lai tā izvirkējumi savietotos ar akumulatora pārsega caurumiem.

► **Att.1:** 1. Izvirkējums 2. Atvere 3. Akumulatora vāks

2. Akumulatora vāka vidū uzlieciet plaukstu un piespiediet vāku.

► **Att.2**

3. Pārbaudiet, vai akumulatora vāks ir stingri piestiprināts un vai tas ir kārtīgi nofiksēts ar bloķēšanas sviru.

► **Att.3:** 1. Bloķēšanas svira

## Roktura uzstādīšana

**▲UZMANĪBU:** Stingri uzstādiet rokturus.

**IEVĒRĪBAI:** Uzstādot rokturus, vadu novietojiet tā, lai tas neaizķertos aiz kādas daļas starp rokturiem. Ja vads ir bojāts, plaujmašīnas slēdzis, iespējams, nedarbosies.

1. Ievietojiet abus apakšējā roktura galus rievās plaujmašīnas korpusā, tad pievelciet fiksācijas sviras un pēc tam pielokiet fiksācijas sviras.

► **Att.4:** 1. Fiksācijas svira 2. Apakšējais rokturis

Pievelkot fiksācijas sviras, pievelciet tās, līdz vairs nav redzami gredzeni uz svirām.

► **Att.5:** 1. Gredzens

**PIEZĪME:** Pārliecinieties, ka pēc fiksācijas sviru pielocīšanas nav spraugas starp apakšējo rokturi un plaujmašīnas korpusu.

► **Att.6**

2. Savietojiet atveri augšējā rokturī ar atveri apakšējā rokturī, ievietojiet bultskrūvi no ārpusē un tad pievelciet spārnuzgriezni no iekšpusē. Šādu procedūru veiciet arī otrā pusē.

► **Att.7:** 1. Spārnuzgrieznis 2. Bultskrūve

**PIEZĪME:** Lai augšējais rokturis neizkristu jums no rokām, turiet to cieši.

## Mulčēšanas spraudņa noņemšana

1. Atveriet aizmugurējo pārsegu.

► **Att.8:** 1. Aizmugurējais pārsegs

2. Satveriet mulčēšanas spraudņa rokturi un tad izvelciet to no plaujmašīnas, kā parādīts attēlā.

► **Att.9:** 1. Rokturis 2. Mulčēšanas spraudnis

## Zāles groza uzstādīšana vai noņemšana

Lai uzstādītu zāles grozu, rīkojieties, kā norādīts tālāk.

1. Atveriet aizmugurējo pārsegu.

► **Att.10:** 1. Aizmugurējais pārsegs

2. Turiet zāles groza rokturi un uzāķēriet zāles grozu uz plaujmašīnas korpusa stieņa, kā redzams attēlā.

► **Att.11:** 1. Stienis 2. Rokturis 3. Zāles grozs

Lai noņemtu zāles grozu, atveriet aizmugurējo pārsegu un, turot aiz roktura, noņemiet zāles grozu.

## Mulčēšanas spraudņa piestiprināšana

1. Atveriet aizmugurējo pārsegu un izņemiet zāles grozu.

► **Att.12:** 1. Aizmugurējais pārsegs 2. Zāles grozs

2. Satveriet mulčēšanas spraudņa rokturi un tad piestipriniet to plaujmašīnas korpusam, iespiežot to līdz atdurei, kā parādīts attēlā.

► **Att.13:** 1. Rokturis 2. Mulčēšanas spraudnis

# FUNKCIJU APRAKSTS

**⚠UZMANĪBU:** Pirms ierīces regulēšanas vai tās darbības pārbaudīšanas vienmēr pārlicinieties, vai tā ir izslēgta un akumulatora kasetne ir izņemta.

## Akumulatora kasetnes uzstādīšana un izņemšana

**⚠UZMANĪBU:** Pirms akumulatora kasetnes uzstādīšanas vai izņemšanas vienmēr izslēdziet ierīci.

**⚠UZMANĪBU:** Uzstādot vai izņemot akumulatora kasetni, cieši satveriet darbarīku un akumulatora kasetni. Ja darbarīks un akumulatora kasetne netiek turēti cieši, tie var izkrist no rokām, tādējādi radot akumulatora kasetnes bojājumus vai izraisot traumas.

**⚠UZMANĪBU:** Pirms lietošanas pārbaudiet, vai akumulatora vāks ir bloķēts. Citādi dubļi, neīrūmi vai ūdens var izraisīt izstrādājuma vai akumulatora kasetnes bojājumus.

**⚠UZMANĪBU:** Vienmēr ievietojiet akumulatora kasetni līdz galam, lai nav redzams sarkanās krāsas indikators. Citādi akumulators var nejauši izkrist no ierīces un radīt jums vai apkārtējiem traumas.

**⚠UZMANĪBU:** Neievietojiet akumulatora kasetni ar spēku. Ja kasetne neslīd ietvarā viegli, tā nav pareizi ielikta.

**⚠UZMANĪBU:** Ieliekot vai izņemot akumulatora kasetni, cieši turiet akumulatora vāku.

### Darbības akumulatora kasetnes uzstādīšanai

1. Pavelciet bloķēšanas sviru un tad atveriet akumulatora vāku.

▶ **Att.14:** 1. Akumulatora vāks 2. Bloķēšanas svira

2. Savietojiet akumulatora kasetnes mēlīti ar atveri uz plaujmašīnas un bīdīt kasetni, līdz tā ar nelielu klikšķi nofiksējas vietā.

▶ **Att.15:** 1. Akumulatora kasetne

3. Cieši aizveriet akumulatora vāku.

### Darbības akumulatora kasetnes izņemšanai no plaujmašīnas

1. Pavelciet bloķēšanas sviru uz augšu un atveriet akumulatora pārsegu.

2. Akumulatora kasetni izņemiet no plaujmašīnas, vienlaikus bīdot pogu kasetnes priekšpusē.

3. Aizveriet akumulatora vāku.

## Ierīces/akumulatora aizsardzības sistēma

Ierīce ir aprīkota ar ierīces/akumulatora aizsardzības sistēmu. Šī sistēma automātiski izslēdz motora barošanu, tādējādi pagarinot ierīces un akumulatora darbību. Lietošanas laikā ierīce automātiski pārstāj darboties, ja ierīci vai akumulatoru pakļauj kādam no tālāk minētajiem apstākļiem.

### Aizsardzība pret pārslodzi

Ja ierīci/akumulatoru lieto tā, ka tas patērē pārmērīgi lielu strāvas daudzumu, ierīce automātiski pārstāj darboties un indikatora lampiņa iedegas sarkanā krāsā. Šādā gadījumā izslēdziet ierīci un pārtrauciet darbību, kas izraisīja pārslodzi. Pēc tam ieslēdziet ierīci, lai atsāktu darbu.

### Aizsardzība pret pārkaršanu

Ja ierīce ir pārkarusi, tā automātiski pārstāj darboties un indikatora lampiņa iedegas sarkanā krāsā. Pirms atkārtotas ieslēgšanas ļaujiet ierīcei atdzist.

### Aizsardzība pret akumulatora pārmērīgu izlādi

Ja atlikusī akumulatora jauda kļūst pārāk zema, ierīce automātiski pārstāj darboties un indikatora lampiņa iedegas sarkanā krāsā. Ja ierīce nedarbojas, pat ieslēdzot slēdzus, izņemiet akumulatoru no ierīces un uzlādējiet akumulatoru.

### Aizsardzība pret citiem cēloņiem

Aizsardzības sistēma ir paredzēta arī pret citiem cēloņiem, kas varētu izraisīt plaujmašīnas bojājumus, un nodrošina automātisku plaujmašīnas apturēšanu. Ja plaujmašīnas darbība ir īslaicīgi apstājusies vai tā pārstājusi darboties, cēloņu novēršanai veiciet visas tālāk norādītās darbības.

1. Izslēdziet un ieslēdziet plaujmašīnu, lai to no jauna iedarbinātu.
2. Uzlādējiet akumulatoru(-s) vai nomainiet to(-s) ar uzlādētu(-iem) akumulatoru(-iem).
3. Ļaujiet plaujmašīnai un akumulatoram(-iem) atdzist.

Ja pēc aizsardzības sistēmas atjaunošanas nav uzlabojumu, sazinieties ar vietējo Makita tehnikās apkopes centru.

**IEVĒRĪBAI:** Ja ierīce izslēdzas kāda iepriekš neaprauktīta iemesla dēļ, skatiet sadaļu par problēmu novēršanu.

**PIEZĪME:** Indikatora iedegšanās laiks ir atkarīgs no temperatūras darba vietā un akumulatora kasetnes stāvokļa.

### Atlikušās akumulatora jaudas indikators

▶ **Att.16:** 1. Indikatora lampiņa

Kad atlikusī akumulatora jauda kļūst pārāk zema, indikatora lampiņa sāk mirgot sarkanā krāsā. Ja ierīci turpina lietot, tā pārstāj darboties un indikatora lampiņa iedegas sarkanā krāsā. Šādā gadījumā uzlādējiet akumulatora kasetni.



## Atlikušās akumulatora jaudas indikators

Nospiediet akumulatora kasetnes pārbaudes pogu, lai pārbaudītu akumulatora atlikušo uzlādes līmeni. Indikatori iedegsies uz dažām sekundēm.

► **Att.17:** 1. Indikatora lampas 2. Pārbaudes poga

Indikatora lampas			Atlikusī jauda
lededzis	izslēgts	Mirgo	
■	□	▧	No 75% līdz 100%
■	■	■	No 50% līdz 75%
■	■	□	No 25% līdz 50%
■	□	□	No 0% līdz 25%
▧	□	□	Uzlādējiet akumulatoru.
■	■	□	Iespējama akumulatora kļūme.
□	□	■	

**PIEZĪME:** Reālā jauda var nedaudz atšķirties no norādītās atkarībā no lietošanas apstākļiem un apkārtējās temperatūras.

**PIEZĪME:** Akumulatora aizsardzības sistēmas darbības laikā mirgo pirmais (kreisais malējais) indikators.

## Slēdža darbība

**▲BRĪDINĀJUMS:** Pirms akumulatora kasetnes uzstādīšanas, vienmēr pārbaudiet, vai slēdža svira darbojas pareizi un pēc atlaišanas atgriežas sākotnējā stāvoklī. Lietojot mašīnu, kuras slēdzis nedarbojas pareizi, tā var kļūt nevadāma un radīt nopietnas traumas.

**PIEZĪME:** Pļaujmašīna nesāk darboties bez slēdža pogas nospiešanas pat tad, ja ir pārbīdīta slēdža svira.

**PIEZĪME:** Mēģinot pļaut garu, mitru zāli, pārslodzes dēļ pļaujmašīnu var neizdoties iedarbināt. Šādā gadījumā palieliniet pļaušanas augstumu.

Šī ierīce ir aprīkota ar slēdža pogu. Ja pamanāt slēdža pogu darbojamies neparasti, nekavējoties pārtrauciet ekspluatāciju un nododiet to pārbaudei tuvākajā Makita pilnvarotā servisa centrā.

1. Uzstādiet akumulatora kasetni un pēc tam cieši aizveriet akumulatora vāku.
  2. Pavelciet slēdža mēlīti pret sevi, vienlaicīgi turot nospiešu slēdža pogu. Atlaidiet slēdža pogu, tiklīdz motors sāk darboties.
- **Att.18:** 1. Slēdža poga 2. Slēdža svira
3. Lai apturētu motoru, atlaidiet slēdža sviru.

## Pļaušanas augstuma regulēšana

**▲BRĪDINĀJUMS:** Nekad nelieciet rokas un kājas zem pļaujmašīnas, kad regulējat pļaušanas augstumu.

**▲BRĪDINĀJUMS:** Pirms lietošanas vienmēr pārbaudiet, vai svira pilnībā nofiksējusies rievā.

Pļaušanas augstumu var regulēt diapazonā no 20 mm līdz 75 mm.

Izslēdziet mašīnu, pēc tam pavelciet pļaušanas augstuma regulēšanas sviru uz āru no pļaujmašīnas korpusa un tad novietojiet to vēlamajā pļaušanas augstumā.

► **Att.19:** 1. Pļaušanas augstuma regulēšanas svira

Tabulā tālāk ir redzama attiecība starp skaitli, kas norādīts uz pļaujmašīnas korpusa, un aptuveno pļaušanas augstumu.

Skaitlis	Pļaušanas augstums
1	20 mm
2	29 mm
3	36 mm
4	44 mm
5	53 mm
6	61 mm
7	69 mm
8	75 mm

**PIEZĪME:** Pļaušanas augstumu norādošie skaitļi jāuzskata tikai par informatīviem. Mauriņa vai grunts stāvokļa dēļ faktiskais zāliena augstums var nedaudz atšķirties no iestatītā augstuma.

**PIEZĪME:** Lai noregulētu nepieciešamo augstumu, zāles pļaušanu izmēģiniet mazāk redzamā vietā.

## Zāles līmeņa indikators

► **Att.20:** 1. Zāles līmeņa indikators

Zāles līmeņa indikators rāda nopļautās zāles daudzumu.

- Ja zāles grozs nav pilns, indikators pļaušanas laikā pārvietojas.
- Ja zāles grozs ir pilns, indikators pļaušanas laikā nepārvietojas. Šādā gadījumā nekavējoties pārtrauciet pļaut un iztukšojiet grozu. Pēc groza iztukšošanas to iztīriet, lai tā siets laistu cauri gaisu.

**PIEZĪME:** Šā indikatora rādījums ir aptuvenš. Groza iekšpusē stāvokļa dēļ indikators var nedarboties pareizi.



## Rokturu augstuma regulēšana

**⚠UZMANĪBU:** Pirms bulskrūvju izņemšanas, stingri satveriet augšējo rokturi. Citādi rokturis var nokrist un izraisīt traumu.

Rokturu augstumu var regulēt divos līmeņos.

1. Atskrūvējiet valjīgāk roktura spārnuzgriežņus, tad izņemiet bulskrūves un spārnuzgriežņus.  
▶ **Att.21:** 1. Spārnuzgrieznis
2. Regulējiet rokturu augstumu.
3. Ievietojiet bulskrūves no ārpusē un tad pievelciet spārnuzgriežņus no iekšpuses.

## Mulčēšanas spraudņa lietošana

Mulčēšanas spraudnis ļauj atgriezt nopļauto zāli zemē, nesavācot to zāles grozā. Darbinot darbarīku, kuram ir uzstādīts mulčēšanas spraudnis, noteikti noņemiet zāles grozu.

**IEVĒRĪBAI:** Lietojot ierīci, kurai ir uzstādīts mulčēšanas spraudnis, pārlicinieties, ka zāles garums pēc griešanas ir vismaz 30 mm un nogrieztās zāles garums ir 15 mm vai mazāk.

- ▶ **Att.22:** (1) 30 mm un vairāk (2) 15 mm un mazāk

## EKSPLUATĀCIJA

### Pļaušana

**⚠BRĪDINĀJUMS:** Pirms pļaušanas no pļaušanas vietas aizvāciet žaģarus un akmeņus. Pļaušanas vietu attīriet arī no nezālēm.

**⚠BRĪDINĀJUMS:** Lietojot pļaujmašīnu, vienmēr valkājiet aizsargbrilles vai brilles ar sānu aizsargiem.

**⚠UZMANĪBU:** Ja nopļautā zāle vai svešķermeņi nobloķē pļaujmašīnas korpusa iekšpusi, obligāti izņemiet akumulatora kasetnes un uzvelciet cimdus, pirms noņemat zāli vai svešķermeņus.

**IEVĒRĪBAI:** Lietojiet šo ierīci tikai zāles pļaušanai. Nepļaujiet ar šo ierīci nezāles.

- ▶ **Att.23**

Pļaujot cieši ar abām rokām turiet zāles pļaujmašīnas rokturi.

Orientējošais pļaušanas ātrums ir aptuveni no 2 līdz 4 sekundēm uz 1 metru.

- ▶ **Att.24**

**PIEZĪME:** Pļaujot garu vai biezu zāli, ja pēc pļaušanas tiek konstatēts nevienmērīgs zāles garums vai slikts kopējais izskats vai arī pļaušanas laikā tiek konstatēta motora darbības ātruma samazināšanās, samaziniet pļaušanas ātrumu līdz mazākam, nekā ieteikts šajā rokasgrāmatā, vai palieliniet pļaušanas augstumu.

Priekšējo riteņu centra līnijas ir pļaušanas platuma vadlīnijas. Izmantojot centra līnijas kā vadlīnijas, pļaujiet joslās. Lai zālienu nopļautu līdzēni, pļaušanas joslai par vienu pusi vai trešdaļu jāpārklājas ar iepriekšējo joslu.

- ▶ **Att.25:** 1. Pļaušanas platums 2. Pārklāšanās zona 3. Centra līnija

Pļaušanas virzienu katru reizi mainiet, lai zāles plāvuma raksts neveidotos tikai vienā virzienā.

- ▶ **Att.26**

Periodiski pārbaudiet nopļauto zāli zāles grozā. Izņemiet zāli no groza, pirms tas ir pilns. Pirms katras periodiskās pārbaudes obligāti apturiet un izslēdziet ierīci.

**IEVĒRĪBAI:** Izmantojot pļaujmašīnu ar pilnu zāles grozu, asmeņi nevarēs brīvi griezties un motoram radīsies papildu slodze, kas var izraisīt bojājumus.

## Pļaujot zālienu ar garu zāli

Nemēģiniet nopļaut garu zāli vienā paņēmiēnā. Labāk pļaujiet to vairākos piegājienos. Lai mairiņu nopļautu vienmērīgi tsi, pļaujiet ik pēc dienas vai divām.

**PIEZĪME:** Ja garu zāli vienā reizē nopļauj pavisam īsu, tā var iznīkt. Nopļautā zāle var iesprūst pļaujmašīnas korpusā.

## Zāles groza iztukšošana

**⚠BRĪDINĀJUMS:** Lai nepieļautu negadījumus, regulāri pārbaudiet, vai zāles grozs nav bojāts vai nodilis. Ja nepieciešams, nomainiet zāles grozu.

1. Atlaidiet slēdža sviru.
2. Izņemiet akumulatora kasetni.
3. Atveriet aizmugurējo pārsegu un aiz roktura izņemiet zāles grozu.  
▶ **Att.27:** 1. Aizmugurējais pārsegs 2. Rokturis
4. Iztukšojiet zāles grozu.

## TEHNISKĀ APKOPE

**⚠BRĪDINĀJUMS:** Vienmēr pirms ierīces glabāšanas vai nešanas, vai pārbaudes vai apkopes darbu veikšanas izņemiet no tās akumulatora kasetni.

**⚠BRĪDINĀJUMS:** Veicot pārbaudi vai apkopi, valkājiet cimdus.

**⚠BRĪDINĀJUMS:** Veicot pļaujmašīnas apkopes vai pārbaudes darbus, vienmēr valkājiet aizsargbrilles vai brilles ar sānu aizsargiem.

**IEVĒRĪBAI:** Nekad neizmantojiet gazoļīnu, benzīnu, atšķaidītāju, spirtu vai līdzīgus šķidrums. Tas var radīt izbalēšanu, deformāciju vai plaisas.

Lai saglabātu izstrādājuma DROŠU un UZTICAMU darbību, remontdarbus, apkopi un regulēšanu uzticiet veikt tikai Makita pilnvarotam vai rūpnīcas apkopes centram, un vienmēr izmantojiet tikai Makita rezerves daļas.

## Apkope

1. Izņemiet akumulatora kasetni un pēc tam aizveriet akumulatora vāku.
2. Nolieciet zāles pļaujmašīnu uz sāna. Notīriet zāles atgriezumus, kas sakrājušies zāles pļaujmašīnas apakšā.
3. Ūdeni lejiet virzienā uz ierīces apakšpusi, kur piestiprināts asmens.

**IEVĒRĪBAI:** Nemazgājiet ierīci ar augstspiediena ūdens strūklu.

4. Pārbaudiet, vai visi uzgriežņi, bultskrūves, skrūves u. c. ir pievilkti cieši.
5. Pārbaudiet, vai kustīgās daļas nav bojātas, salūzušas vai nodilušas. Bojātās vai trūkstošās daļas jāremontē vai jāaizvieto.
6. Glabājiet pļaujmašīnu drošā, bērniem nepieejamā vietā.

## Glabāšana

**UZMANĪBU:** Novietojot ierīci vertikālā stāvoklī, novietojiet to uz līdzenas un stabilas virsmas. Ja ierīci novieto uz nestabilas virsmas, tā var apgāzties un izraisīt ievainojumus.

Glabājiet pļaujmašīnu iekšējās vēsā, sausā un slēgtā vietā. Neglabājiet pļaujmašīnu un lādētāju vietās, kur temperatūra var sasniegt vai pārsniegt 40 °C.

1. Izņemiet akumulatora kasetni.
2. Noņemiet zāles grozu.
3. Atlokiet fiksācijas sviras, pēc tam nolokiet rokturi un pēc tam nolokiet fiksācijas sviras.  
► **Att.28:** 1. Fiksācijas svira
4. Atskrūvējiet roktura spārnuzgriežņus un tad nolokiet augšējo rokturi.  
► **Att.29:** 1. Spārnuzgriežnis 2. Augšējais rokturis
5. Novietojiet ierīci vertikālā stāvoklī.

**PIEZĪME:** Novietojot pļaujmašīnu vertikālā stāvoklī, neturiet tikai aiz roktura, bet turiet aiz pļaujmašīnas korpusa un roktura.

6. Zāles grozu glabājiet starp rokturi un pļaujmašīnas korpusu.  
► **Att.30:** 1. Zāles grozs

## Pļaujmašīnas pārnēsāšana

**UZMANĪBU:** Pirms pļaujmašīnas pārnēsāšanas pārliecinieties, vai makumulatora kasetne ir izņemta.

Nesot pļaujmašīnu, turiet to aiz aizmugures roktura un apakšējā tvērēja pļaujmašīnas priekšpusē, kā parādīts attēlā.

- **Att.31:** 1. Apakšējais tvērēklis 2. Aizmugures rokturis

## Pļaujmašīnas asmens noņemšana vai uzstādīšana

**BRĪDINĀJUMS:** Uzstādot vai noņemot asmeni, vienmēr izņemiet akumulatora kasetni. Ja akumulatora kasetne nav izņemta, ir iespējams gūt smagus ievainojumus.

**BRĪDINĀJUMS:** Asmens pēc slēdža atlaišanas turpina kustēties pēc inerces. Neveiciet nekādas darbības, kamēr asmens nav pilnībā apstājies.

**BRĪDINĀJUMS:** Rīkojoties ar asmeni, vienmēr valkājiet cimdus.

## Pļaujmašīnas asmens noņemšana

1. Pļaujmašīnu novietojiet uz sāniem tā, lai pļaušanas augstuma regulēšanas svira atrastos augšpusē.
2. Lai bloķētu asmens rotāciju, pļaujmašīnas korpusa atverē ievietojiet tapu vai skrūvgriezi līdzīgu priekšmetu.
3. Ar uzgriežņu atslēgu grieziet skrūvi pretēji pulksteņrādītāju kustības virzienam.  
► **Att.32:** 1. Pļaujmašīnas asmens 2. Uzgriežņu atslēga 3. Skrūvgriezis 4. Atvere
4. Noņemiet bultskrūvi un asmeni norādītajā secībā.  
► **Att.33:** 1. Asmens stiprinājums 2. Pļaujmašīnas asmens 3. Bultskrūve

## Pļaujmašīnas asmens uzstādīšana

Lai uzstādītu pļaujmašīnas asmeni, noņemšanas darbības izpildiet pretējā secībā.

**BRĪDINĀJUMS:** Uzmanīgi uzstādiet pļaujmašīnas asmeni. Tam ir augšējā/apakšējā virsma.

**BRĪDINĀJUMS:** Lai asmeni nostiprinātu, skrūvi pievelciet pulksteņrādītāju kustības virzienā.

**BRĪDINĀJUMS:** Pārliecinieties, ka pļaujmašīnas asmens un visas fiksējošās daļas ir pareizi uzstādītas un cieši pievilktas.

**BRĪDINĀJUMS:** Nomainot asmeņus, vienmēr izpildiet norādījumus šajā rokasgrāmatā.

# PROBLĒMU NOVĒRŠANA

Pirms vienošanās par remontu vispirms veiciet savu pārbaudi. Ja konstatējat problēmu, kas rokasgrāmatā nav aprakstīta, nemēģiniet izjaukt darbarīku. Tā vietā vērsieties Makita pilnvarotā servisa centrā un remontam vienmēr izmantojiet tikai Makita rezerves daļas.

Neatbilstošas darbības stāvoklis	Iespējamais iemesls (kļūme)	Risinājums
Plaujmašīna nesāk darboties.	Akumulatora kasetne nav ievietota.	Ievietojiet uzlādētu akumulatora kasetni.
	Akumulatora kļūme (zems spriegums)	Uzlādējiet akumulatora kasetni. Ja uzlāde nav veiksmīga, nomainiet akumulatora kasetni.
Motors izslēdzas pēc neilgas darbināšanas.	Akumulatora uzlādes līmenis ir par zemu.	Uzlādējiet akumulatora kasetni. Ja uzlāde nav veiksmīga, nomainiet akumulatora kasetni.
	Griešanas augstums ir par mazu.	Palieliniet griešanas augstumu.
Motors nesasniedz maksimālo apgriezumu skaitu minūtē.	Akumulatora kasetne nav uzstādīta pareizi.	Akumulatora kasetni uzstādiet pēc norādījumiem šajā rokasgrāmatā.
	Samazinās akumulatora jauda.	Uzlādējiet akumulatora kasetni. Ja uzlāde nav veiksmīga, nomainiet akumulatora kasetni.
	Piedziņas sistēma nedarbojas pareizi.	Ierīci aizgādājiet uz remontu vietējā pilnvarotā apkopes centrā.
Plaujmašīnas asmens negriežas: ⇒ nekavējoties apturiet plaujmašīnu!	Pie asmens iesprūdis kāds svešķermenis, piemēram, zars.	Izņemiet svešķermeni.
	Piedziņas sistēma nedarbojas pareizi.	Ierīci aizgādājiet uz remontu vietējā pilnvarotā apkopes centrā.
Pārmērīga vibrācija: ⇒ nekavējoties apturiet plaujmašīnu!	Asmens nav nolīmeņots, ir pārmērīgi vai nevienmērīgi nodilis.	Nomainiet asmeni.

## PAPILDU PIEDERUMI

**⚠ UZMANĪBU:** Kopā ar šajā rokasgrāmatā aprakstīto Makita darbarīku ieteicams izmantot norādītos piederumus vai palīgierīces. Izmantojot citus piederumus vai palīgierīces, var izraisīt traumas. Piederumu vai palīgierīci izmantojiet tikai paredzētajam nolūkam.

Ja jums vajadzīga palīdzība vai precīzāka informācija par šiem piederumiem, vērsieties savā tuvākajā Makita apkopes centrā.

- Plaujmašīnas asmens
- Makita oriģinālais akumulators un lādētājs

**PIEZĪME:** Daži sarakstā norādītie izstrādājumi var būt iekļauti izstrādājuma komplektācijā kā standarta piederumi. Tie dažādās valstīs var būt atšķirīgi.

## SPECIFIKACIJOS

Modelis:		LM003G	LM004G
Pjovimo plotis (peilio skersmuo)		380 mm	430 mm
Be apkrovos		3 800 min <sup>-1</sup>	
Pakaitinio vejąplovės peilio dalies numeris	Tiesus vejąplovės peilis	1913G8-3	1913H4-8
	Mulččiavimo peilis	1913H0-6	1913H6-4
Matmenys (I x P x A)	dirbant	I: nuo 1 370 mm iki 1 420 mm P: 450 mm A: nuo 990 mm iki 1 020 mm	I: nuo 1 390 mm iki 1 440 mm P: 460 mm A: nuo 990 mm iki 1 020 mm
	Laikant (be žolės surinkimo krepšio)	520 mm x 450 mm x 880 mm	520 mm x 460 mm x 885 mm
Nominali įtampa		Nuol. sr. 36 V – 40 V maks.	
Grynasis svoris		14,9 - 17,3kg	15,6 - 18,2kg
Apsaugos laipsnis		IPX4	

- Atlikame tęsinius tyrimus ir nuolatos tobuliname savo gaminius, todėl čia pateikiamos specifikacijos gali būti keičiamos be įspėjimo.
- Skirtingose šalyse specifikacijos gali skirtis.
- Svoris gali priklausyti nuo priedo (-ų), įskaitant akumulatoriaus kasetę. Lengviausias ir sunkiausias deriniai pagal EPTA 2014 m. sausio mėn. procedūrą yra parodyti lentelėje.

## Tinkama akumulatoriaus kasetė ir (arba) įkroviklis

Akumulatoriaus kasetė	BL4020* / BL4025* / BL4040* / BL4050F* / BL4080F* *: rekomenduojamas akumulatoriaus
Įkroviklis	DC40RA / DC40RB / DC40RC






- Atsižvelgiant į gyvenamosios vietos regioną, kai kurios pirmiau nurodytos akumulatoriaus kasetės ir įkrovikliai gali būti neprieinami.

**⚠️ ĮSPĖJIMAS:** Naudokite tik akumulatoriaus kasetes ir įkroviklius, kurie nurodyti anksčiau. Naudojant bet kurias kitas akumulatoriaus kasetes ir įkroviklius, gali kilti sužeidimo ir gaisro pavojus.

**⚠️ ĮSPĖJIMAS:** Su šia mašina nenaudokite laidu prijungiamo maitinimo šaltinio, pavyzdžiui, akumulatoriaus adapterio ar nešiojamojo maitinimo šaltinio. Tokio maitinimo šaltinio kabelis gali trukdyti dirbti ir sukelti sužalojimų.

## Simboliai

Toliau yra nurodyti simboliai, kurie gali būti naudojami įrangai. Prieš naudodami įsitinkinkite, kad suprantate jų reikšmę.

	Būkite itin atsargūs ir dėmesingi.
	Perskaitykite instrukcijų vadovą.
	Pavojus; saugokitės skriejančių objektų.
	Tarp įrenginio ir šalia esančių žmonių turi būti bent 15 m atstumas.
	Laikykite rankas ir pėdas atokiai nuo vejąplovės dugne esančių peilių. Išjungus variklį, vejąplovės peiliai dar kurį laiką sukasi.



Įspėjimas: prieš atlikdami technines priežiūros darbus, atjunkite akumulatorių.



Taikoma tik ES šalims  
Kadangi įrangoje yra pavojingų komponentų, panaudota elektrinė ir elektroninė įranga, akumulatoriai ir baterijos gali turėti neigiamo poveikio aplinkai ir žmonių sveikatai.  
Nešalinkite elektros ir elektroninių prietaisų ar baterijų kartu su buitiniams atliekomis! Pagal Europos direktyvą dėl elektros ir elektroninės įrangos atliekų bei akumulatorių ir baterijų ir panaudotų akumulatorių ir baterijų bei jos pritaikymą nacionaliniams įstatymams, panaudota elektros ir elektroninė įranga, baterijos ir akumulatoriai turi būti surenkami atskirai ir pristatomi į atskirą buitinių atliekų surinkimo punktą, kuris veikia pagal aplinkos apsaugos taisykles. Tai rodo perbrauktas konteinerio ant ratukų simbolis, pateiktas ant įrangos.



Garantuojamas garso galios lygis pagal ES lauko triukšmo direktyvą.



Garso galios lygis pagal Australijos NSW triukšmo kontrolės reglamentą

## Numatytoji naudojimo paskirtis

Įrenginys skirtas tik vejai pjauti.

## Triukšmas

Įprastas triukšmo A lygis, nustatytas pagal EN62841-4-3:

### Modelis LM003G

Išmatuotasis garso galios lygis ( $L_{WA}$ ): 90 dB (A)  
Garantuotasis garso galios lygis ( $L_{WA}$ ): 93 dB (A)  
Garso slėgio lygis ( $L_{pA}$ ): 83 dB (A)  
Garso slėgio lygio neapibrėžtumas (K): 3 dB (A)

### Modelis LM004G

Išmatuotasis garso galios lygis ( $L_{WA}$ ): 90 dB (A)  
Garantuotasis garso galios lygis ( $L_{WA}$ ): 93 dB (A)  
Garso slėgio lygis ( $L_{pA}$ ): 81 dB (A)  
Garso slėgio lygio neapibrėžtumas (K): 3 dB (A)

**PASTABA:** Paskelbta (-os) triukšmo reikšmė (-ės) nustatyta (-os) pagal standartinį testavimo metodą ir jį galima naudoti vienam įrankiui palyginti su kitu.

**PASTABA:** Paskelbta (-os) triukšmo reikšmė (-ės) taip pat gali būti naudojama (-os) norint preliminariai įvertinti triukšmo poveikį.

**ĮSPĖJIMAS:** Dėvėkite ausų apsaugą.

**ĮSPĖJIMAS:** Faktiškai naudojant elektrinį įrankį, keliamo triukšmo dydis gali skirtis nuo paskelbtos (-ų) reikšmės (-ių), priklausomai nuo būdų, kuriais yra naudojamas šis įrankis, ir ypač nuo to, kokio tipo ruošinys apdirbamas.

**ĮSPĖJIMAS:** Siekdami apsaugoti operatorių, būtinai įvertinkite saugos priemones, remdamiesi vibracijos poveikio įvertinimu esant faktinėms naudojimo sąlygoms (atsižvelgdami į visas darbo ciklo dalis, pavyzdžiui, ne tik kiek laiko įrankis veikia, bet ir kiek kartų jis yra išjungiamas bei kai jis veikia be apkrovų).

## Vibracija

Vibracijos bendroji vertė (trიაšio vektoriaus suma) nustatyta pagal EN62841-4-3 standartą:

### Modelis LM003G

Vibracijos emisija ( $a_h$ ): 2,5 m/s<sup>2</sup> arba mažiau  
Paklaida (K): 1,5 m/s<sup>2</sup>

### Modelis LM004G

Vibracijos emisija ( $a_h$ ): 2,5 m/s<sup>2</sup> arba mažiau  
Paklaida (K): 1,5 m/s<sup>2</sup>

**PASTABA:** Paskelbta (-os) vibracijos bendroji (-osios) reikšmė (-ės) nustatyta (-os) pagal standartinį testavimo metodą ir jį galima naudoti vienam įrankiui palyginti su kitu.

**PASTABA:** Paskelbta (-os) vibracijos bendroji (-osios) reikšmė (-ės) taip pat gali būti naudojama (-os) norint preliminariai įvertinti vibracijos poveikį.

**ĮSPĖJIMAS:** Faktiškai naudojant elektrinį įrankį, keliamos vibracijos dydis gali skirtis nuo paskelbtos (-ų) reikšmės (-ių), priklausomai nuo būdų, kuriais yra naudojamas šis įrankis, ir ypač nuo to, kokio tipo ruošinys apdirbamas.

**ĮSPĖJIMAS:** Siekdami apsaugoti operatorių, būtinai įvertinkite saugos priemones, remdamiesi vibracijos poveikio įvertinimu esant faktinėms naudojimo sąlygoms (atsižvelgdami į visas darbo ciklo dalis, pavyzdžiui, ne tik kiek laiko įrankis veikia, bet ir kiek kartų jis yra išjungiamas bei kai jis veikia be apkrovų).

## Atitiktis deklaracijos

### Tik Europos šalims

Atitiktis deklaracijos įtrauktos į šios naudojimo instrukcijos A priedą.

## SAUGOS ĮSPĖJIMAI

### Bendrieji įspėjimai dirbant elektriniais įrankiais

**ĮSPĖJIMAS** Perskaitykite visus saugos įspėjimus, nurodymus, peržiūrėkite paveikslėlius ir technines sąlygas, pateiktas su šiuo elektriniu įrankiu. Nesilaikant toliau pateiktų nurodymų, galima patirti elektros šoką, sunkų sužalojimą ir (arba) sukelti gaisrą.

### Išsaugokite visus įspėjimus ir instrukcijas, kad galėtumėte jas peržiūrėti ateityje.

Terminas „elektrinis įrankis“ pateiktuose įspėjimuose reiškia į maitinimo tinklą jungiamą (laidinį) elektrinį įrankį arba akumuliatoriaus maitinamą (belaidį) elektrinį įrankį.

### Saugos įspėjimai dėl belaidžių vejamųjų naudojimo

1. **Nenaudokite vejamųjų esant blogam orui, ypač jei gali žaibuoti.** Taip sumažinsite žaibo nutrenkimo pavojų.
2. **Kruopščiai patikrinkite vietą, kurioje naudosite vejamąjį, ar nėra laukinių gyvūnų.** Veikianti vejamąjį gali sužaloti laukinius gyvūnus.
3. **Kruopščiai patikrinkite vietą, kurioje bus naudojama vejamąjį, ir surinkite visus akmenis, šakas, vielas, kaulus ir kitus pašalinius daiktus.** Nusviesti daiktai gali sužaloti.

4. **Prieš naudodami vejąpovę visada apžiūrėkite, ar peilis ir peilio mazgas nėra nusidėvėję arba pažeisti.** Nusidėvėję ar pažeistos dalys didina sužalojimo riziką.
5. **Dažnai tikrinkite, ar žolės gaudyklė nesudėvėjusi ar nesugedusi.** Dėl susidėvėjusios ar sugedusios gaudyklės gali padidėti sužalojimo rizika.
6. **Laikykite apsauginius įtaisus jiems skirtose vietose.** Apsauginiai įtaisai turi būti tinkamos būklės ir tinkamai sumontuoti. Naudojant atsilaisvinusį, pažeistą arba tinkamai neveikiantį apsauginį įtaisą galima susižaloti.
7. **Pasirūpinkite, kad visose vėsinimo oro įtraukimo angose nebūtų šiukšlių.** Dėl užsikimšusių oro įleidimo angų ir šiukšlių prietaisas gali perkaisti ar gali kilti gaisro pavojus.
8. **Naudodami šią vejąpovę, visada avėkite neslidžią apsauginę avalynę.** Niekomet nedirbkite su vejąpove, jeigu esate basi arba avite atvirus sandalus. Tai sumažina pėdų sužalojimo riziką, joms prilietus judantį peilį.
9. **Naudodami vejąpovę, visuomet mūvėkite ilgas kelnes.** Dėl nepridengtos odos padidėja tikimybė patirti sužalojimų, kuriuos sukelia išsviesti objektai.
10. **Nepjaukite vejąpove šlapios žolės. Vaikščiokite, o ne bėgiokite.** Taip kils mažesnis pavojus paslysti, nugriūti ir susižaloti.
11. **Nenaudokite vejąpovės per didelio nuolydžio nuokalnėse.** Taip kils mažesnis pavojus nesuvaldyti įrankio, paslysti, nugriūti ir susižaloti.
12. **Dirbdami nuožulniose vietose, visada tvirtai stovėkite ir dirbkite skersai nuožulnumos – niekada neikite aukštin arba žemyn taip pat būkite itin atsargūs, kai keičiate kryptį.** Taip kils mažesnis pavojus nesuvaldyti įrankio, paslysti, nugriūti ir susižaloti.
13. **Būkite itin atsargūs, važiuodami atbuline eiga arba traukdami vejąpovę savęs link. Visada žinokite aplinką.** Taip sumažės užkliuvimo dirbant tikimybė.
14. **Nelieskite peilių ir kitų pavojų keliančių judančių dalių, kol jos vis dar nesustoja.** Taip sumažės judančių dalių keliamo sužalojimo rizika.
15. **Šalindami įstrigusias medžiagas arba atlikdami vejąpovės techninę priežiūrą, įsitinkinkite, kad visi maitinimo mygtukai išjungti, o akumuliatoriaus paketas išimtas arba atjungtas.** Naudojant vejąpovę ne taip, kaip numatyta, galima sunkiai susižeisti.

## SAUGOKITE ŠIAS INSTRUKCIJAS.

**⚠️ISPĖJIMAS: NELEISKITE,** kad patogumas ir gaminio pažinimas (įgyjamas pakartotinai naudojant) susilpnintų griežtą saugos taisyklių, taikytinų šiam gaminiui, laikymąsi.

Dėl **NETINKAMO NAUDOJIMO** arba saugos taisyklių, kurios pateiktos šioje instrukcijoje, nesilaikymo galima rimtai susižeisti.

## SVARBIOS SAUGOS INSTRUKCIJOS

**⚠️ISPĖJIMAS:** Perskaitykite visus saugos įspėjimus ir visą instrukciją. Nesilaikydami toliau pateiktų įspėjimų ir instrukcijų galite patirti elektros smūgi, gaisrą ir (arba) sunkų sužeidimą.

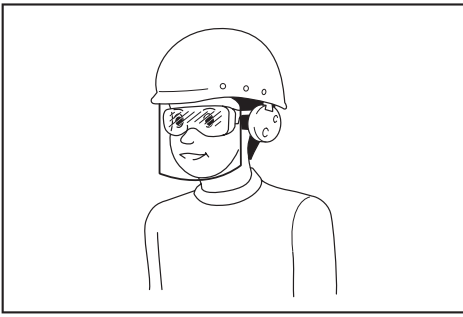
## Išsaugokite visus įspėjimus ir instrukcijas, kad galėtumėte jas peržiūrėti ateityje.

### Mokymas

1. **Atidžiai perskaitykite šią instrukciją.** Nuodugniai susipažinkite su valdikliais ir išsiaiškinkite, kaip tinkamai naudoti vejąpovę.
2. **Niekomet neleiskite vejąpovės naudoti vaikams arba su šia instrukcija nesusipažinusiems žmonėms.** Operatoriaus amžius gali būti reglamentuojamas vietinių įstatymų.
3. **Niekomet nenaudokite vejąpovės, jei netoliese yra žmonių, ypač vaikų ar naminių gyvūnų.**
4. **Atminkite, kad operatorius yra atsakingas už nelaimingus atsitikimus ar nelaimes, atsitikusias kitiems žmonėms, arba jų turtui padarytą žalą.**
5. **Būtina prižiūrėti vaikus, kad jie nežaistų su vejąpove.**
6. **Fizinės sąlygos – nenaudokite vejąpovės, jeigu esate apsvaigę nuo alkoholio, narkotikų arba kokių nors vaistų.**

### Pasiruošimas

1. **Naudodami vejąpovę, visuomet avėkite tvirtą avalynę ir mūvėkite ilgas kelnes.** Niekomet nedirbkite vejąpove, jeigu esate basi arba avite atvirus sandalus. Nedėvėkite laisvų drabužių ir kabančių papuošalų, nesurištų virvelių arba kaklaraiščių. Juos gali įtraukti judančios dalys.
2. **Prieš naudodami vejąpovę, visada apžiūrėkite, ar ji nepažeista, ar netrūksta apsauginių įtaisų ir skydų, ar jie tinkamai uždėti.**
3. **Prieš padėdami pjauti žolę, įsitinkinkite, ar toje vietoje nėra kitų žmonių. Išjunkite vejąpovę, jeigu į darbo vietą kas nors ateina.**
4. **Visada naudodami elektrinius įrankius užsidėkite apsauginius akinus, kad apsaugotumėte savo akis nuo sužalojimų. Akiniai turi atitikti ANSI Z87.1 reikalavimus JAV, EN 166 reikalavimus Europoje arba AS/NZS 1336 reikalavimus Australijoje / Naujojoje Zelandijoje. Australijoje / Naujojoje Zelandijoje taip pat teisiškai privaloma naudoti veido skydelį.**



Darbdavys privalo užtikrinti, kad įrankio operatoriai ir kiti šalia jo darbo vietos esantys asmenys naudotų tinkamas apsaugos priemones.

5. Prieš naudodami patikrinkite peilius arba peilių varžtus, ar nėra įtrūkimų ar pažeidimų. Nedelsdami pakeiskite įtrūkusius arba pažeistus peilius arba peilių varžtus.
6. Prieš pradėdami pjauti žolę, surinkite nuo vejos pašalinius daiktus, pavyzdžiui, akmenis, laidus, butelius, kaulus ir dideles šakas, kad nesusižeistumėte ir nesugadintumėte vejapjovės.
7. Vejapjovės peilio užkliudyti objektai gali sunkiai sužaloti. Prieš kiekvieną vejos pjovimą, veją visada reikia atidžiai apžiūrėti ir surinkti nuo jos visus daiktus.
8. Saugokitės duobių, provėžų, nelygumų, akmenų ir kitų nematomų objektų. Nelygioje vietoje galima paslysti ir griūti. Aukšta žolė gali slėpti kliūtis.
9. Naudokite asmenines saugos priemones. Visada naudokite akių apsaugos priemones. Apsauginės priemonės, pavyzdžiui, respiratorius, apsauginiai batai neslidžiais padais, šalmas ar ausų apsaugos, naudojamoms atitinkamomis sąlygomis, sumažina susižeidimo pavojų.

#### Naudojimas

1. Nepersisverkite. Visuomet išlaikykite pusiausvyrą. Dirbdami nuokalnėse, visada tvirtai stovėkite. Vaikščiokite, o ne bėgiokite.
2. Sustabdykite ir išjunkite vejapjovę, įsitikinkite, kad visos judančios dalys visiškai sustojo:
  - kai paliekate vejapjovę be priežiūros,
  - prieš pradėdami valyti užsikimšimus arba prieš atkimšdami išmetimo lataką,
  - prieš tikrindami, valydami arba dirbdami vejapjovę,
  - užkliudę pašalinį objektą. Prieš vėl įjungdami vejapjovę ir pradėdami dirbti, apžiūrėkite, ar nėra gedimų, ir juos pašalinkite;
  - jeigu vejapjovė pradeda neįprastai vibruoti.
3. Niekada nenaudokite vejapjovės su pažeistais apsauginiais skydais arba gaubtais ar be tinkamai sumontuotų saugos įtaisų, pavyzdžiui, kreiptuvų ir (arba) žolės surinkimo krepšio.
4. Vejapjovės nenaudokite esant blogam orui ir ypač tada, kai gali žaibuoti.
5. Naudodami vejapjovę, visada dėvėkite akių apsaugos priemones ir avėkite tvirtus batus.
6. Vejapjovę naudokite tik dienos metu arba esant geram dirbtiniam apšvietimui.

7. Atsargiai įjunkite vejapjovę, kaip nurodyta instrukcijoje; pėdos turi būti pakankamu atstumu nuo peilio (-ių).
8. Saugokitės, kad vejapjovės peilis nesužeistų kojų ir rankų.
9. Ventiliacijos angos visą laiką turi būti atviros ir švarios.
10. Pjaukite žolę, važiuodami nuokalnėmis aukštyrni žemyn, o ne skersai. Keisdami kryptis nuokalnėse, būkite itin atsargūs. Nepjaukite žolės pernelyg stačiose nuokalnėse.
11. Būkite itin atsargūs, važiuodami atbuline eiga arba traukdami vejapjovę savęs link.
12. Sustabdykite peilį (-ius), jeigu vejapjovę reikia paversti, kad ją galima būtų perkelti per žolę neapaugusius paviršius, ir gabendami vejapjovę iš vietos, kurioje ji buvo naudojama, ir į tą vietą, kurioje ji bus naudojama.
13. Paleisdami variklį, vejapjovės nepakreipkite, išskyrus tą atvejį, jeigu vejapjovę reikia pakreipti, kad ją būtų galima paleisti. Tokiu atveju pakreipkite ją tik tiek, kiek tai visiškai būtina, ir kelkite tik tą dalį, kuri yra nukreipta tolyn nuo operatoriaus. Prieš nuleidžiant vejapjovę ant žemės, visada užtikrinkite, kad abi rankos būtų darbinėje padėtyje.
14. Nekiškite rankų ar kojų artyn prie besisukančių dalių arba po jomis. Visada stovėkite atokiai nuo išmetimo angos.
15. Negabenkite veikiančios vejapjovės.
16. Vejapjovę nepjaukite šlapios žolės.
17. Visada tvirtai laikykite rankeną.
18. Paimdami arba laikydami vejapjovę, neimkite už atvirų pjovimo peilių arba pjovimo briaunų.
19. Laikykite pėdas ir rankas atokiai nuo besisukančių peilių. Dėmesio – išjungus vejapjovę, pjovimo peiliai dar sukasi iš inercijos.
20. Pasterbėję ką nors neįprasto, tučtuojau nutraukite darbą. Išjunkite vejapjovę. Tada patikrinkite vejapjovę.
21. Nereguluokite pjovimo aukščio, kai vejapjovė veikia, jei vejapjovė turi pjovimo aukščio reguliavimo funkciją.
22. Prieš kirsdami kelius, takus, vieškelius ir bet kokias žvyru padengtas vietas, atleiskite svirtinį jungiklį ir palaukite, kol peiliai nebesisuks. Taip pat išjunkite įrenginį, jeigu vejapjovę paliekate be priežiūros, jeigu siekiate kažką pakelti arba patraukti iš kelio, arba dėl bet kokios kitos priežasties, kuri gali atitraukti jus nuo atliekamo darbo.
23. Jeigu vejapjovė užkliudo pašalinį objektą, atlikite šiuos veiksmus:
  - Išjunkite vejapjovę, atleiskite svirtinį jungiklį ir palaukite, kol peilis visiškai sustos.
  - Išimkite akumuliatoriaus kasetę.
  - Apžiūrėkite vejapjovę, ar ji neapgadinta.
  - Pakeiskite peilį, jeigu jis kaip nors apgadintas. Prieš užvesdami ir toliau naudodami vejapjovę, pašalinkite bet kokius gedimus.
24. Neužveskite vejapjovės variklio, stovėdami priešais išmetimo angą.



25. Jeigu vejamajam pradeda nejprastai vibruoti, nedelsdami
  - patikrinkite, ar nėra gedimo;
  - pakeiskite arba pataisykite bet kurias sugadintas dalis;
  - patikrinkite ir priveržkite visas atsilaisvinusias dalis.
26. Išmetamos medžiagos niekada nenukreipkite į kitus žmones. Stenkitės nemesti medžiagos sienos ar kliūtys link. Medžiaga gali atšokti atgal operatoriaus link. Kirsdami žvyruotus paviršius, sustabdykite peilį.
27. Vejamajoms neturkite atgal, nebent tai būtų būtina. Kai vejamajam tenka atitraukti nuo tvoros ar kitos panašios kliūtis ir prieš eidami atbulomis, pasižiūrėkite žemyn ir atgal.
28. Prieš nuimdami žolės gaudyklę, išjunkite variklį ir palaukite, kol peilis visiškai nustos sukstis. Turėkite omenyje, kad išjungus vejamajam, peiliai dar sukasi iš inercijos.
29. Kai naudojate mašiną ant purvinos dirvos, drėgno nuolydžio ar slidžios vietos, atkreipkite dėmesį į pagrindą po kojomis.
30. Nenaudokite mašinos balose.
31. Naudodami mašiną atkreipkite dėmesį į vamzdelius ir laidus.

#### Techninė priežiūra ir laikymas

1. Saugumo sumetimais pakeiskite nusidėvėjusias arba sugadintas dalis. Prireikus priedų arba atsarginių dalių, naudokite tik originalias dalis.
2. Vejamajam reguliariai apžiūrėkite ir sutvarkykite.
3. Nenaudojamą vejamajam laikykite vaikams nepasiekiamoje vietoje.
4. Visos veržlės, varžtai ir sraigčiai turi būti tvirtai prisukti, kad būtų užtikrintos saugios įrenginio darbo sąlygos.
5. Dažnai tikrinkite, ar žolės surinkimo krepšys nesusidėvėjęs ir yra tinkamos būklės. Prieš paratydami įrenginį, būtina ištuštinkite žolės surinkimo krepšį. Norėdami užtikrinti saugą, nusidėvėjusį žolės surinkimo krepšį pakeiskite nauju originaliu atsarginiu krepšiu.
6. Naudokite tik šioje instrukcijoje nurodytus originalius peilius.
7. Reguluodami vejamajam būkite atsargūs, kad pirštų neįtrauktų judantys peiliai ir nejudančios jos dalys.
8. Dažnai tikrinkite, ar tinkamai priveržti peilių montavimo varžtai.
9. Prieš pastatydami vejamajam į saugojimo vietą, palaukite, kol ji visiškai atvės.
10. Prieš pradėdami peilių techninės priežiūros darbus, nepamirškite, kad nors maitinimo šaltinis yra išjungtas, peiliai vis tiek gali sukstis.
11. Niekada nenuimkite ir negadininkite apsauginių įtaisų. Reguliariai tikrinkite, ar jie gerai veikia. Nedarykite nieko, kas apsauginiam įtaisui trukdytų atlikti jo funkciją ar sumažintų jo suteikiamą apsaugą.
12. Nepalikite mašinos lauke lyjant.
13. Mašinos laikymo vietoje neturėtų būti tiesioginių saulės spindulių ir lietaus; laikykite ją ten, kur ji nesušlaps ir neįkais.

#### Akumuliatorinio įrankio naudojimas ir priežiūra

1. Įkraukite naudodami tik gamintojo nurodytą įkroviklį. Įkroviklis, kuris tinka vienam akumuliatorių tipui įkrauti, gali kelti gaisro pavojų, jei bus naudojamas su kitų tipų akumuliatoriais.
2. Elektrinius įrankius naudokite tik su specialiai jiems skirtais akumuliatoriais. Naudojant bet kurį kitą akumuliatorių gali kilti sužeidimo ir gaisro pavojus.
3. Kai akumuliatorius nėra naudojamas, laikykite jį toliau nuo kitų metalinių daiktų, pavyzdžiui, poferius sąvaržėlių, monetų, raktų, vinių, varžtų ir kitų mažų metalinių daiktų, dėl kurių gali kilti trumpasis jungimas tarp kontaktų. Akumuliatorių kontaktų trumpasis jungimas gali būti nudegimų arba gaisro priežastimi.
4. Netinkamai naudojant iš akumuliatoriaus gali ištekėti skysčio. Venkite sąlyčio su juo. Jei sąlytis atsitiktinai įvyko, gausiai nuplaukite vandeniu. Jei skysčio pateko į akis, kreipkitės į gydytoją. Iš akumuliatoriaus išbėgęs skystis gali sudirginti arba nudeginti odą.
5. Nenaudokite sugadinto ar modifikuoto akumuliatoriaus arba įrankio. Sugadinti arba modifikuoti akumuliatoriai gali veikti nejprastai, todėl gali kilti gaisras, sprongimas arba sužalojimo rizika.
6. Saugokite akumuliatorių arba įrankį nuo ugnies ar pernelyg aukštos temperatūros. Dėl ugnies ar 130 °C viršijančios temperatūros gali kilti sprongimas.
7. Laikytės visų įkrovimo nurodymų ir nekraukite akumuliatoriaus ar įrankio, kai temperatūra neatitinka nurodymuose pateikto temperatūros intervalo. Netinkamai įkraunant arba įkraunant esant kitam nei nustatytas temperatūros intervalui, gali būti sugadinti akumuliatoriaus ar padidėti gaisro rizika.

#### Elektros ir akumuliatoriaus sauga

1. Nemeskite akumuliatoriaus (-ių) į ugnį. Akumuliatoriaus elementas gali sprogti. Pasitikrinkite, ar vietiniai įstatymai nenurodo specialius išmetimo būdo.
2. Neatidarykite ir neardykite akumuliatoriaus (-ių). Ištekėjęs elektrolitas yra esdinančioji medžiaga, kuri gali pažeisti akis ar odą. Nurytas jis gali apnuodyti.
3. Nenaudokite akumuliatoriaus lyjant arba drėgnose vietose.
4. Nekraukite akumuliatoriaus lauke.
5. Neimkite įkroviklio, įskaitant įkroviklio kištuką ir gnybtus, drėgnomis rankomis.
6. Nekeiskite akumuliatoriaus lyjant.
7. Negalima šlapinti akumuliatoriaus gnybto skysčiu, pvz., vandeniu, arba panardinti akumuliatoriaus. Nepalikite akumuliatoriaus lietuje, neįkraukite, nenaudokite ir nekeiskite akumuliatoriaus šlapioje arba drėgnoje vietoje. Jei gnybtas sušlampa arba į akumuliatoriaus vidų patenka skysčio, gali kilti trumpasis akumuliatoriaus jungimas ir perkaitimo, gaisro arba sprongimo pavojus.
8. Išėmę akumuliatorių iš mašinos arba įkroviklio, būtina uždėkite akumuliatoriaus dangtelį ant akumuliatoriaus ir laikykite jį sausoje vietoje.

9. Nekeiskite akumulatoriaus šlapiomis rankomis.
10. Nedirbkite pavojingomis sąlygomis. Nenaudokite šio įrenginio drėgnoje arba šlapioje vietoje ir saugokite jį nuo lietaus. Į įrenginį patekęs vanduo padidins elektros šoko pavojų.
11. Jeigu akumulatoriaus kasetė sudrėksta, pašalinkite vandenį iš vidaus ir tuomet išvalykite sausa šluoste. Prieš naudodami, visiškai išdžiovinkite akumulatoriaus kasetę sausoje vietoje.

#### Techninė priežiūra

1. Tegu jūsų elektrinio įrankio techninę priežiūrą atlieka kvalifikuotas remonto meistras, naudodamas tik identiškas atsargines dalis. Tai užtikrina, kad elektrinis įrankis liks saugus naudoti.
2. Niekada neatlikite pažeistų akumuliatorių techninės priežiūros. Akumuliatorių techninę priežiūrą turi atlikti tik gamintojas arba įgaliotieji techninės priežiūros paslaugų teikėjai.

## SAUGOKITE ŠIAS INSTRUKCIJAS.

**⚠️PSPĖJIMAS:** NELEISKITE, kad patogumas ir gaminio pažinimas (įgyjamas pakartotinai naudojant) susilpnintų griežtą saugos taisyklių, taikytinų šiam gaminiui, laikymąsi.

Dėl NETINKAMO NAUDOJIMO arba saugos taisyklių, kurios pateiktos šioje instrukcijoje, nesilaikymo galima rimtai susižeisti.

### Svarbios saugos instrukcijos, taikomos akumulatoriaus kasetei

1. Prieš naudodami akumulatoriaus kasetę, perskaitykite visas instrukcijas ir perspėjimus ant (1) akumuliatorių įkroviklio, (2) akumuliatorių ir (3) akumuliatorių naudojančio gaminio.
2. Neardykite ir negadinkite akumulatoriaus kasetės. Dėl to ji gali užsidegti, per daug įkaisti arba sprogti.
3. Jei įrankio darbo laikas žymiai sutrumpėjo, nedelsdami nutraukite darbą su įrankiu. Tai gali kelti perkaitimo, nudegimų ar net sprogdimo pavojų.
4. Jei elektrolitas pateko į akis, plaukite jas tyru vandeniu ir nedelsdami kreipkitės į gydytoją. Gali kilti regėjimo praradimo pavojus.
5. Neužtrumpinkite akumulatoriaus kasetės:
  - (1) Nelieskite kontaktų degiomis medžiagomis.
  - (2) Venkite laikyti akumulatoriaus kasetę kartu su kitais metaliniais daiktais, pavyzdžiui, vinimis, monetomis ir pan.
  - (3) Saugokite akumulatoriaus kasetę nuo vandens ir lietaus.

Trumpasis jungimas akumuliatoriuje gali sukelti stiprią srovę, perkaitimą, galimus nudegimus ar net akumulatoriaus gedimą.

6. Nelaikykite ir nenaudokite įrankio ir akumulatoriaus kasetės vietoje, kur temperatūra gali pasiekti ar viršyti 50 °C (122 °F).
7. Nedeginkite akumulatoriaus kasetės, net jei yra stipriai pažeista ar visiškai susidėvėjusi. Ugnyje akumulatoriaus kasetė gali sprogti.
8. Akumulatoriaus kasetės nekalkite, nepauskykite ir nemėtykite ir taip pat į ją netrankykite kietu daiktu. Taip elgiantis, ji gali užsidegti, per daug įkaisti arba sprogti.
9. Nenaudokite pažeisto akumulatoriaus.
10. Įdėtomis ličio jonų akumuliatoriams taikomi Pavojingų prekių teisės akto reikalavimai. Komercinis transportas, pvz., trečiųjų šalių, prekių vežimo atstovų, turi laikytis specialaus reikalavimo ant pakuotės ir ženklavimo. Norėdami paruošti siųstiną prekę, pasitarkite su pavojingų medžiagų specialistu. Be to, laikykitės gaminto išsamesnių nacionalinių reglamentų. Užklijuokite juosta arba padenkite atvirus kontaktus ir supakuokite akumuliatorių taip, kad ji pakuotėje nejudėtų.
11. Kai išmetate akumulatoriaus kasetę, išimkite ją iš įrankio ir išmeskite saugioje vietoje. Vadovaukitės vietos reglamentais dėl akumuliatorių išmetimo.
12. Baterijas naudokite tik su „Makita“ nurodytais gaminiais. Baterijas įdėjus į netinkamus gaminius gali kilti gaisras, gaminys pernelyg įkaisti, kilti sprogimas arba pratekėti elektrolitas.
13. Jei įrankis bus ilgą laiką nenaudojamas, akumuliatorių būtina išimti iš įrankio.
14. Darbo metu ir po akumulatoriaus kasetė gali būti įkaitusi ir dėl to nudeginti. Imdami akumulatoriaus kasetes, būkite atsargūs.
15. Tuojau pat po naudojimo nelieskite įrankio gnybtų, nes jie gali būti įkaitę tiek, kad nudegins.
16. Nelieskite, kad į akumulatoriaus kasetės gnybtus, angas ir griovelius patektų drožlių, dulkių ar žemių. Jos gali sukelti kaitimą, užsidegti, sprogti ir sukelti įrankio ar akumulatoriaus kasetės gedimą, dėl ko galima nusideginti ar susižaloti.
17. Jeigu įrankis nėra pritaikytas naudoti šalia aukštos įtampės elektros linijų, akumulatoriaus kasetės nenaudokite šalia aukštos įtampės elektros linijų. Dėl to gali sutrikti įrankio ar akumulatoriaus kasetės veikimas arba jie gali sugesti.
18. Laikykite akumuliatorių vaikams nepasiekiamoje vietoje.

## SAUGOKITE ŠIAS INSTRUKCIJAS.

**⚠️PERSPĖJIMAS:** Naudokite tik originalų „Makita“ akumuliatorių. Neoriginalaus „Makita“ arba pakeisto akumulatoriaus naudojimas gali nulemti gaisrą, asmens sužalojimą ir pažeidimą. Tai taip pat panaikina „Makita“ suteikiamą „Makita“ įrankio ir įkroviklio garantiją.

## Patarimai, ką daryti, kad akumuliatorius veiktų kuo ilgiau

1. Pakraukite akumuliatoriaus kasetę prieš jai visiškai išsikraunant. Visuomet nustokite naudoti įrankį ir pakraukite akumuliatoriaus kasetę, kai pastebite, kad įrankio galia sumažėjo.
2. Niekada nekraukite iki galo įkrautos akumuliatoriaus kasetės. Perkraunant trumpėja akumuliatoriaus eksploatacijos laikas.
3. Akumuliatoriaus kasetę kraukite esant kambario temperatūrai 10 - 40 °C. Prieš pradėdami krauti, leiskite įkaitusiai akumuliatoriaus kasetei atvėsti.
4. Kai akumuliatoriaus kasetės nenaudojate, ją išimkite iš įrankio ar įkroviklio.
5. Įkraukite akumuliatoriaus kasetę, jei jos nenaudojate ilgą laiką (ilgiau nei šešis mėnesius).

## SURINKIMAS

**⚠️ ĮSPĖJIMAS:** Prieš pradėdami bet kokius darbus prie įrenginio, būtinai išimkite akumuliatoriaus kasetę. Neišėmus akumuliatoriaus kasetės, atsitiktinai įsijungus įrenginiui galima sunkiai susižeisti.

**⚠️ ĮSPĖJIMAS:** Niekada nepaleiskite vejąplovės, kol ji nėra visiškai surinkta. Naudojant iš dalies surinktą mašiną, ji gali netyčia pasileisti ir sunkiai sužeisti.

## Akumuliatoriaus skyriaus dangtelio montavimas

**⚠️ ĮSPĖJIMAS:** Nekiškite akumuliatoriaus kasetės, kol nesumontavote akumuliatoriaus skyriaus dangtelio. Nesilaikant šių nurodymų, kyla pavojus sunkiai susižeisti.

Prieš darbą visiškai uždarykite akumuliatoriaus skyriaus dangtelį. Akumuliatoriaus skyriaus dangtelis apsaugo vejąplovę ir akumuliatoriaus kasetę nuo purvo, nešvarumų ir vandens.

1. Akumuliatoriaus skyriaus dangtelį uždėkite taip, kad ant vejąplovės esančios iškyšos sutaptų su akumuliatoriaus dangtyje esančiomis skylutėmis.  
▶ **Pav.1:** 1. Iškyša 2. Skylutė 3. Akumuliatoriaus skyriaus dangtelis
2. Dėkite rankas ant akumuliatoriaus skyriaus dangtelio vidurio ir paspauskite jį.  
▶ **Pav.2**
3. Užtikrinkite, kad akumuliatoriaus skyriaus dangtelis būtų patikimai pritvirtintas ir saugiai užfiksuotas fiksavimo svirtimi.  
▶ **Pav.3:** 1. Fiksavimo svirtis

## Rankenos montavimas

**⚠️ PERSPĖJIMAS:** Saugiai sumontuokite rankenas.

**PASTABA:** Įrengdami rankenas nutieskite kabelį taip, kad tarp rankenų jo niekas neužkabintų. Jei kabelis bus apgadintas, gali neveikti vejąplovės jungiklis.

1. Įstatykite abu apatinės rankenos galus į vejąplovės korpuso griovelius. Tada priveržkite ir užlenkite prispaudimo svirtis.

▶ **Pav.4:** 1. Prispaudimo svirtis 2. Apatinė rankena

Prispaudimo svirtis priveržkite taip, kad ant jų esančių žiedų tiesiog nesimatytų.

▶ **Pav.5:** 1. Žiedas

**PASTABA:** Kai užlenksite prispaudimo svirtis, žiūrėkite, kad nebūtų tarpo tarp apatinės rankenos ir vejąplovės korpuso.

▶ **Pav.6**

2. Sulygiuokite kiaurymę viršutinėje rankenoje su kiauryme apatinėje, tada iš išorės įkiškite varžtą ir iš vidaus priveržkite sparnuotąją varžlę. Tą pačią procedūrą pakartokite kitoje pusėje.

▶ **Pav.7:** 1. Sparnuotoji varžlė 2. Varžtas

**PASTABA:** Tvirtai laikykite už viršutinės rankenos, kad ji neiškristų jums iš rankos.

## Mulčiavimo kaiščio nuėmimas

1. Atidarykite galinį dangtelį.

▶ **Pav.8:** 1. Galinis dangtelis

2. Mulčiavimo kaištį laikydami už rankenos, kaip parodyta paveikslėlyje, ištraukite iš vejąplovės korpuso.

▶ **Pav.9:** 1. Rankena 2. Mulčiavimo kaištis

## Žolės surinkimo krepšio uždėjimas ir nuėmimas

Norėdami uždėti žolės surinkimo krepšį, atlikite toliau nurodytus veiksmus.

1. Atidarykite galinį dangtelį.

▶ **Pav.10:** 1. Galinis dangtelis

2. Suimkite žolės surinkimo krepšio rankeną, tada pakabinkite žolės krepšį ant vejąplovės korpuso strypo, kaip parodyta paveikslėlyje.

▶ **Pav.11:** 1. Strypas 2. Rankena 3. Žolės surinkimo krepšys

Norėdami nuimti žolės surinkimo krepšį, atidarykite galinį dangtelį ir nuimkite žolės surinkimo krepšį, suėmę už jo rankenos.

## Mulčiavimo kaiščio uždėjimas

1. Atidarykite galinį dangtelį ir išimkite žolės surinkimo krepšį.

▶ **Pav.12:** 1. Galinis dangtelis 2. Žolės surinkimo krepšys

2. Laikydami mulčiavimo kaištį už rankenos, prijunkite prie vejąplovės korpuso įstumdami iki galo, kaip parodyta iliustracijoje.

▶ **Pav.13:** 1. Rankena 2. Mulčiavimo kaištis

# VEIKIMO APRAŠYMAS

**▲ PERSPĖJIMAS:** Prieš pradėdami reguliuoti įrenginį arba tikrinti jo veikimą, visuomet būtinai išjunkite įrenginį ir išimkite akumulatoriaus kasetę.

## Akumulatoriaus kasetės uždėjimas ir nuėmimas

**▲ PERSPĖJIMAS:** Prieš įdėdami arba išimdami akumulatoriaus kasetę, visada išjunkite mašiną.

**▲ PERSPĖJIMAS:** Įdėdami arba išimdami akumulatoriaus kasetę, tvirtai laikykite mašiną ir akumulatoriaus kasetę. Jeigu mašiną ir akumulatoriaus kasetę laikysite netvirtai, jie gali išslysti iš rankų, todėl mašina ir akumulatoriaus kasetė gali būti sugadinti, o naudotojas sužalotas.

**▲ PERSPĖJIMAS:** Prieš pradėdami naudoti, įsitikinkite, ar akumulatoriaus dangtelis užfiksuotas. Kitaip gali patekti purvo, nešvarumų arba vandens ir gaminyje arba akumulatoriaus kasetėje gali sugesti.

**▲ PERSPĖJIMAS:** Akumulatoriaus kasetę visada įkiškite iki galo, kol nebematysite raudono indikatoriaus. Kitaip ji gali atsitiktinai iškristi iš mašinos ir sužeisti jus arba aplinkinius žmones.

**▲ PERSPĖJIMAS:** Nekiškite akumulatoriaus kasetės jėga. Jeigu kasetė sunkiai lenda, ją kišate netinkamai.

**▲ PERSPĖJIMAS:** Įdėdami arba išimdami akumuliatorių tvirtai laikykite akumulatoriaus dangtį.

### Norėdami įdėti akumulatoriaus kasetę;

1. Ištraukite fiksavimo svirtį ir atidarykite akumulatoriaus dangtelį.

► **Pav.14:** 1. Akumulatoriaus skyriaus dangtelis  
2. Fiksavimo svirtis

2. Sulygiuokite akumulatoriaus kasetės liežuvėlį su grioveliu ir įstumkite kasetę, kad ji spragtelėdama užsifikuotų.

► **Pav.15:** 1. Akumulatoriaus kasetė

3. Tvirtai uždarykite akumulatoriaus dangtį.

### Norėdami ištraukti akumulatoriaus kasetę iš vejapjovės;

1. Ištraukite fiksavimo svirtį ir atidarykite akumulatoriaus dangtelį.

2. Stumdami mygtuką, esantį kasetės priekyje, ištraukite akumulatoriaus kasetę iš vejapjovės.

3. Uždenkite akumulatoriaus skyriaus dangtelį.

## Mašinos / akumulatoriaus apsaugos sistema

Įrenginyje įdiegta įrenginio ir akumulatoriaus apsaugos sistema. Kad pailgėtų įrenginio ir akumulatoriaus eksploatacija, ši sistema automatiškai atjungia motoro maitinimą. Susidarius vienai iš toliau nurodytų įrenginio arba akumulatoriaus veikimo sąlygų, įrenginys veikimo metu automatiškai išsijungia.

### Apsauga nuo perkrovos

Kai įrenginys arba akumulatorius naudojami taip, kad neįprastai padidėja srovės stipris, įrenginys automatiškai sustoja, o indikatoriaus lemputė ima šviesti raudona spalva. Tokiu atveju išjunkite įrenginį ir nutraukite darbą, dėl kurio atsirado įrenginio perkrova. Tada vėl įjunkite įrenginį ir pradėkite iš naujo.

### Apsauga nuo perkaitimo

Jei įrenginys arba akumulatorius perkaista, įrenginys automatiškai sustoja ir ima šviesti raudona indikatoriaus lemputė. Prieš įjungdami vėl, palaukite, kol įrenginys atvės.

### Apsauga nuo visiško išsikrovimo

Kai išsikrauna akumulatorius, įrenginys automatiškai sustoja ir įsijungia raudona indikatoriaus lemputė. Jei įrenginys neveikia net ir junginėjant jungiklius, išimkite akumuliatorių iš įrenginio ir įkraukite.

### Apsauga nuo kitų sutrikimų

Apsaugos sistema taip pat apsaugo nuo kitų sutrikimų, galinčių pažeisti įrenginį, todėl automatiškai jį išjungia. Įrenginiui laikinai sustojus arba veikimo metu išsijungus, imkitės visų toliau nurodytų veiksmų ir pašalinkite sutrikimo priežastis.

1. Išjunkite įrenginį, tada vėl įjunkite, kad paleistumėte iš naujo.
2. Įkraukite akumuliatorių (-ius) arba jį (juos) pakeiskite įkrautu (-ais) akumulatoriumi (-iais).
3. Palaukite, kol įrenginys ir akumulatorius (-iai) atvės.

Jei atstačius apsaugos sistemą veikimas nepagerėja, kreipkitės į vietos „Makita“ techninės priežiūros centrą.

**PASTABA:** Jei įrenginys sustoja dėl pirmiau neapibūdintos priežasties, žr. trikčių šalinimo skirsnį.

**PASTABA:** Laikas, kuriam praėjus lemputė dega pastoviai, priklauso nuo darbo vietoje esančios temperatūros ir akumulatoriaus kasetės būklės.

## Likusios akumulatoriaus galios rodymas

► **Pav.16:** 1. Indikatoriaus lemputė

Kai išsikrauna akumulatorius, pradeda mirksėti raudona indikatoriaus lemputė. Jei įrenginys naudojamas toliau, jis išsijungia ir įsijungia raudona indikatoriaus lemputė. Tokiu atveju įkraukite akumuliatorių.

## Likusios akumulatoriaus galios rodymas

Paspauskite akumulatoriaus kasetės tikrinimo mygtuką, kad būtų rodoma likusios akumulatoriaus energija. Maždaug trims sekundėms užsidegs indikatorių lemputės.

► **Pav.17:** 1. Indikatorių lemputės 2. Tikrinimo mygtukas

Indikatorių lemputės			Likusi galia
Šviečia	Nešviečia	Blyksi	
■	□	⚡	
■ ■ ■ ■			75 - 100 %
■ ■ ■ □			50 - 75 %
■ ■ □ □			25 - 50 %
■ □ □ □			0 - 25 %
⚡ □ □ □			Įkraukite akumulatorių.
■ ■ □ □	↑ ↓		Galimai įvyko akumulatoriaus veikimo triktis.
□ □ ■ ■			

**PASTABA:** Rodmuo gali šiek tiek skirtis nuo faktinės energijos lygio – tai priklauso nuo naudojimo sąlygų ir aplinkos temperatūros.

**PASTABA:** Veikiant akumulatoriaus apsaugos sistemai ims mirksėti pirmoji (toliausiai kairėje) indikatoriaus lemputė.

## Jungiklio veikimas

**ĮSPĖJIMAS:** Prieš įdėdami akumulatoriaus kasetę, visada patikrinkite, ar svirtinis jungiklis veikia tinkamai ir atleistas sugrįžta į pradinę padėtį. Naudojant mašiną, kurios jungiklis netinkamai veikia, galima jos nesuvaldyti ir sunkiai susižaloti.

**PASTABA:** Nepaspaudus įjungimo mygtuko, vejąpovė nepasileidžia net ir patraukus už svirtinio jungiklio.

**PASTABA:** Vejąpovės variklis gali būti neužvestas dėl perkrovos, kai vienu metu pjaunate ilgai ar tankią žolę. Tokiu atveju padidinkite pjovimo aukštį.

Šiame įrenginyje yra įjungimo mygtukas. Jei pastebėjote, kad įjungimo mygtukas veikia neįprastai, tuoj pat nutraukite darbą ir pasirūpinkite, kad įrenginys būtų patikrintas artimiausiame įgaliotajame „Makita“ priežiūros centre.

1. Įdėkite akumulatoriaus kasetę, tada gerai uždarykite akumulatoriaus skyriaus dangtelį.

2. Laikydami nuspaudę įjungimo mygtuką, traukite svirtinį jungiklį savęs link. Kai tik variklis pasileidžia, įjungimo mygtuką atleiskite.

► **Pav.18:** 1. Mygtukas 2. Svirtinis jungiklis

3. Jeigu norite išjungti variklį, atleiskite svirtinį jungiklį.

## Žolės pjovimo aukščio reguliavimas

**ĮSPĖJIMAS:** Reguliuodami žolės pjovimo aukštį, niekada neikiškite rankų ar kojų po vejąpovės korpusu.

**ĮSPĖJIMAS:** Prieš pradėdami darbą, visada įsitikinkite, ar svirtis tinkamai įtaisyta griovelyje.

Žolės pjovimo aukštį galima reguliuoti nuo 20 mm iki 75 mm.

Išjunkite įrenginį, tada traukite pjovimo aukščio reguliavimo svirtelę vejąpovės korpuso išorėje ir nustatykite į norimą pjovimo aukštį.

► **Pav.19:** 1. Pjovimo aukščio reguliavimo svirtis

Toliau pateiktoje lentelėje parodytas ryšys tarp skaičių, esančių ant vejąpovės korpuso, ir apytikslio pjovimo aukščio.

Skaičius	Pjovimo aukštis
1	20 mm
2	29 mm
3	36 mm
4	44 mm
5	53 mm
6	61 mm
7	69 mm
8	75 mm

**PASTABA:** Žolės pjovimo aukščio paveikslėliai yra tik orientacinio pobūdžio. Atsižvelgiant į vejos ar žemės paviršiaus sąlygas, faktinis vejos aukštis gali šiek tiek skirtis nuo nustatytojo.

**PASTABA:** Pradžioje pabandykite pjauti žolę mažiau pastebimoje vietoje, kad nustatytumėte pageidaujamą aukštį.

## Žolės lygio indikatorius

► **Pav.20:** 1. Žolės lygio indikatorius

Žolės lygio indikatorius rodo nupjautos žolės kiekį.

- Kai žolės surinkimo krepšys nepilnas, pjaunant žolę indikatorius juda.
- Kai žolės surinkimo krepšys pilnas, pjaunant žolę indikatorius nejuda. Tokiu atveju tuoj pat liaukitės pjovę žolę ir ištuštinkite krepšį. Ištuštinę krepšį, išvalykite jį, kad pro tinklę galėtumėte išėiti oras.

**PASTABA:** Šis indikatorius nėra tikslus kontrolinis įtaisas. Atsižvelgiant į krepšio viduje esančias sąlygas, šis indikatorius gali veikti netinkamai.

## Rankenos aukščio reguliavimas

**⚠ PERSPĖJIMAS:** Prieš atsukdami varžtus, tvirtai suimkite už viršutinės rankenos. Priešingu atveju rankena gali nukristi ir sužaloti.

Rankenos aukštį galima nustatyti į du lygius.

1. Atlaisvinkite rankenos sparnuotąsias veržles, tada nuimkite varžtus ir sparnuotąsias veržles.

► **Pav.21:** 1. Varžtas su rankenėle

2. Nustatykite rankenos aukštį.

3. Įkiškite varžtus iš išorės, tada priveržkite sparnuotąsias veržles iš vidaus.

## Mulčiavimo kaitiščio naudojimas

Mulčiavimo kaitištis leidžia grąžinti nupjautą žolę ant žemės paviršiaus, kad ji nesikaupytų žolės surinkimo krepšyje. Mašiną naudojant su mulčiavimo kaitiščiu, būtina nuimti žolės surinkimo krepšį.

**PASTABA:** Mašiną naudodami su mulčiavimo kaitiščiu, užtikrinkite, kad bendras žolės ilgis po pjovimo būtų 30 mm ar didesnis, o pjovimo ilgis būtų 15 mm ar mažesnis.

► **Pav.22:** (1) 30 mm ar daugiau (2) 15 mm ar mažiau

## NAUDOJIMAS

### Žolės pjovimas

**⚠ ĮSPĖJIMAS:** Prieš pradėdami pjauti žolę, surinkite nuo vejos šakas ir akmenis. Prieš pradėdami pjauti žolę, taip pat išraukite visas piktžoles.

**⚠ ĮSPĖJIMAS:** Naudodami vejapjovę, visada dėvėkite apsauginius akinius arba apsauginius akinius su šoniniais apsauginiais skydais.

**⚠ PERSPĖJIMAS:** Jei nupjauta žolė ar pašalinis objektas įstringa vejapjovės korpuso viduje, prieš šalinant žolę ar pašalinį objektą būtina išimkite akumulatoriaus kasetes ir užsimaukite pirštines.

**PASTABA:** Įrenginį naudokite tik vejai pjauti. Šiuo įrenginiu nepjaukite piktžolių.

► **Pav.23**

Pjaudami žolę, tvirtai abiem rankomis laikykite rankeną. Vejos pjovimo greičio orientyras – maždaug 2–4 sekundės 1 metrui.

► **Pav.24**

**PASTABA:** Jei, pjaudami aukštą arba tankią veją, pastebėjote jos aukščio netolygumų arba prastos pjovimo kokybės apraiškų, taip pat jei pjaunant veją sumažėjo variklio sukimosi greitis, sumažinkite pjovimo greitį (dar labiau, nei rekomenduojama šiame vadove) arba padidinkite pjovimo aukštį.

Priekinių ratų vidurio linijos yra pjovimo pločio orientyrai. Vadovaudamiesi vidurio linijomis kaip orientyrais, pjaukite juostomis. Jei norite tolygiai nupjauti veją, pjaunant naują juostą, turi persidengti nuo pusės iki trečdaliao ankstesnės juostos.

► **Pav.25:** 1. Pjovimo plotis 2. Persidengianti sritis 3. Vidurio linija

Kaskart pakeiskite pjovimo kryptį, kad vejos pjovimo raštas nesusiformuotų tik viena kryptimi.

► **Pav.26**

Reguliarai tikrinkite nupjautos žolės surinkimo krepšį. Ištuštinkite žolę, kol jis dar nėra pilnas. Prieš kiekvieną reguliarią patikrinimą būtina sustabdykite ir išjunkite įrenginį.

**PASTABA:** Naudojant vejapjovę su pilnu žolės surinkimo krepšiu, peiliai negali tolygiai suktsi, o varikliui tenka papildoma apkrova, todėl jis gali sugesti.

## Aukštos žolės pjovimas

Nebandykite nupjauti žolės per vieną kartą. Ją pjaukite tam tikrais etapais. Tarp pjovimų palaukite dieną ar dvi, kol veją nupjausite tolygiai.

**PASTABA:** Nupjovus ilgą žolę iki trumpo ilgio per vieną kartą, ji gali nuvysti. Nupjauta žolė taip pat gali susikaupti vejapjovės korpuse.

## Žolės surinkimo krepšio ištuštinimas

**⚠ ĮSPĖJIMAS:** Norėdami sumažinti nelaimingų atsitikimų pavojų, reguliariai tikrinkite žolės surinkimo krepšį, ar jis nesugadintas arba nesusilpnėjęs. Jei reikia, pakeiskite žolės surinkimo krepšį.

1. Atleiskite svirtinį jungiklį.
2. Išimkite akumulatoriaus kasetę.
3. Atidarykite galinį gaubtą ir nuimkite žolės surinkimo krepšį, suėmę jį už jo rankenos.
- **Pav.27:** 1. Galinis dangtelis 2. Rankena
4. Išpilkite žolę iš žolės surinkimo krepšio.

## TECHNINĖ PRIEŽIŪRA

**⚠ ĮSPĖJIMAS:** Prieš sandėliuodami vejapjovę arba ją nešdami, taip pat – prieš pradėdami jos tikrinimo arba techninės priežiūros darbus užtikrinkite, kad būtų išimta akumulatoriaus kasetė.

**⚠ ĮSPĖJIMAS:** Atlikdami patikrinimo arba techninės priežiūros darbus, mėvėkite pirštines.

**⚠ ĮSPĖJIMAS:** Naudodami arba prižiūrėdami vejapjovę, visada dėvėkite apsauginius akinius arba apsauginius akinius su šoniniais apsauginiais skydais.

**PASTABA:** Niekada nenaudokite gazolino, benzino, tirpiklio, spirito arba panašių medžiagų. Gali atsirasti išblukimų, deformacijų arba įtrūkimų.

Kad gamins būtų SAUGUS ir PATIKIMAS, jį taisyti, apžiūrėti ar vykdyti bet kokią kitą priežiūrą ar derinimą turį įgaliojasis kompanijos „Makita“ techninės priežiūros centras; reikia naudoti tik kompanijos „Makita“ pagamintas atsargines dalis.



## Priežiūra

1. Išimkite akumulatoriaus kasetę, tada uždarykite akumulatoriaus skyriaus dangtelį.
2. Paguldysite vejamą ant šono. Išvalykite žolės nuopjovas, susikaupusias vejamą dugno apatinėje pusėje.
3. Pilkite vandenį mašinos apačios link, kur pritvirtintas peilis.

**PASTABA:** Neplaukite mašinos aukšto slėgio vandeniu.

4. Patikrinkite, ar tvirtai priveržtos visos veržlės, varžtai, sraigčiai ir pan.
5. Apžiūrėkite visas judamąsias dalis, ar jos nėra sugadintos, sulūžusios ar nusidėvėjusios. Sugadintas arba trūkstantas dalis reikia remontuoti arba keisti naujomis.
6. Vejamą laikykite saugioje, vaikams nepasiekiamoje vietoje.

## Laikymas

**▲PERSPĖJIMAS:** Prirėkus pastatyti įrenginį stačią įsitikinkite, kad pagrindas, ant kurio stote, yra plokščias ir stabilus. Jei įrenginį statysite ant nestabiliu pagrindo, jis gali nuvirsti ir ką nors sužaloti.

Vejamą laikykite vėsioje, sausoje rakinamoje patalpoje. Vejamą ir kroviklio nelaikykite tokiose vietose, kur temperatūra gali siekti arba viršyti 40 °C.

1. Išimkite akumulatoriaus kasetę.
2. Nuimkite žolės surinkimo krepšį.
3. Atlenkite prispaudimo svirtis, tada užlenkite rankeną ir prispaudimo svirtis.  
► **Pav.28:** 1. Prispaudimo svirtis
4. Atlaisvinkite rankenos sparnuotąsias veržles, tada užlenkite viršutinę rankeną.  
► **Pav.29:** 1. Sparnuotoji veržlė 2. Viršutinė rankena
5. Pastatykite įrenginį stačią.

**PASTABA:** Statydami vejamą stačią, laikykite ne tik už rankenos, bet ir už vejamą korpuso.

6. Žolės surinkimo krepšį laikykite tarp rankenos ir vejamą korpuso.  
► **Pav.30:** 1. Žolės surinkimo krepšys

## Vejamą nešimas

**▲PERSPĖJIMAS:** Prieš nešdami vejamą, būtinai išimkite akumulatoriaus kasetę.

Nešdami vejamą laikykite už galinės rankenos ir apatinės laikymo dalies (įrenginio priekyje), kaip parodyta iliustracijoje.

- **Pav.31:** 1. Apatinė laikymo dalis 2. Galinė rankena

## Vejamą peilio uždėjimas ir nuėmimas

**▲JSPĖJIMAS:** Prieš nuimdami arba montuodami peilį visada išimkite akumulatoriaus kasetę. Neišėmus akumulatoriaus kasetės galima sunkiai susižeisti.

**▲JSPĖJIMAS:** Atleidus jungiklį, peilis sukasi iš inercijos dar kelias sekundes. Kol peilis visiškai nesustojo, nepradėkite dirbti.

**▲JSPĖJIMAS:** Montuodami peilį, visuomet mūvėkite pirštines.

## Vejamą peilio nuėmimas

1. Paverskite vejamą ant šono, kad pjovimo aukščio reguliavimo svirtis būtų viršuje.
2. Norėdami užfiksuoti peilio sukimąsi, į vejamą korpusą esančią angą įkiškite kaištį arba įrankį, pvz., atsuktuvą.
3. Veržliarakčiu sukite varžtą prieš laikrodžio rodyklę.  
► **Pav.32:** 1. Vejamą peilis 2. Veržliarakštis 3. Atsuktuvas 4. Kiaurymė
4. Eilės tvarka nuimkite varžtą ir peilį.  
► **Pav.33:** 1. Peilio laikiklis 2. Vejamą peilis 3. Varžtas

## Vejamą peilio įdėjimas

Jei norite sumontuoti vejamą peilį, vykdykite nuėmimo procedūrą atvirkščia tvarka.

**▲JSPĖJIMAS:** Uždėdami vejamą peilį būkite atidūs. Jis turi viršutinę / apatinę puses.

**▲JSPĖJIMAS:** Tvirtai užveržkite sraigimą, sukdamai jį pagal laikrodžio rodyklę, kad užtvirtintumėte peilį.

**▲JSPĖJIMAS:** Įsitikinkite, kad vejamą peilis ir visos tvirtinamosios detalės gerai uždėti ir priveržti.

**▲JSPĖJIMAS:** Peilius visada keiskite laikydamiesi šiame vadove pateiktų instrukcijų.



# GEDIMŲ ŠALINIMAS

Prieš kreipdamiesi dėl remonto darbų, pirmiausia patikrinkite gedimus patys. Jeigu susidursite su problema, kuri nėra paaiškinta vadove, nemėginkite išrinkti mašinos. Verčiau kreipkitės į įgaliotuosius „Makita“ techninės priežiūros centrus, kuriuose remontui visuomet naudojamos „Makita“ pakaitinės dalys.

Neįprasta būklė	Tikėtina priežastis (triktis)	Ištaisomoji priemonė
Vejaplovė nepaleidžiama.	Neįdėtas akumuliatorius.	Įdėkite įkrautą akumuliatorių.
	Akumuliatoriaus problema (per mažą įtampą)	Įkraukite akumuliatoriaus kasetę. Jei įkrauti nepavyksta, pakeiskite akumuliatoriaus kasetę.
Po trumpo naudojimo variklis nustoja veikti.	Žemas akumuliatoriaus įkrovos lygis.	Įkraukite akumuliatoriaus kasetę. Jei įkrauti nepavyksta, pakeiskite akumuliatoriaus kasetę.
	Pjovimo aukštis per mažas.	Padidinkite pjovimo aukštį.
Variklis nepasiekia didžiausių apsisukimų per minutę.	Netinkamai įdėta akumuliatoriaus kasetė.	Akumuliatoriaus kasetę įdėkite, kaip aprašyta šiame vadove.
	Akumuliatoriaus galia mažėja.	Įkraukite akumuliatoriaus kasetę. Jei įkrauti nepavyksta, pakeiskite akumuliatoriaus kasetę.
	Netinkamai veikia pavaros sistema.	Dėl remonto kreipkitės į vietinį įgaliotąjį techninės priežiūros centrą.
Vejaplovės peilis nesisuka: ⇒ nedelsdami sustabdykite vejaplovę!	Šalia peilio įstrigo pašalinis objektas, pvz., šaka.	Pašalinkite pašalinį objektą.
	Netinkamai veikia pavaros sistema.	Dėl remonto kreipkitės į vietinį įgaliotąjį techninės priežiūros centrą.
Neįprasta vibracija: ⇒ nedelsdami sustabdykite vejaplovę!	Peilis nesubalansuotas, pernelyg ar netolygiai nusidėvėjęs.	Pakeiskite peilį.

## PASIRENKAMI PRIEDAI

**⚠ PERSPĖJIMAS:** Su šiame vadove nurodyta „Makita“ mašina rekomenduojama naudoti šiuos įtaisus arba priedus. Naudojant bet kokius kitus įtaisus arba priedus, gali kilti pavojus sužaloti žmogus. Įtaisus arba priedus naudokite tik pagal nurodytą paskirtį.

Jeigu norite daugiau sužinoti apie tuos priedus, kreipkitės į artimiausią „Makita“ techninės priežiūros centrą.

- Vejaplovės peilis
- Originalūs „Makita“ akumuliatorius ir įkroviklis

**PASTABA:** Kai kurie sąraše esantys priedai gali būti pristatomi gaminio pakuotėje kaip standartiniai priedai. Įvairiose šalyse jie gali skirtis.

## TEHNILISED ANDMED

Mudel:	LM003G	LM004G	
Niitmislaius (tera läbimõõt)	380 mm	430 mm	
Koormuseta kiirus	3 800 min <sup>-1</sup>		
Vahetatava niiduki tera osa number	Sirge niiduki tera	1913G8-3	1913H4-8
	Multšimistera	1913H0-6	1913H6-4
Mõõtmed (P × L × K)	töötamise ajal	P: 1 370 mm kuni 1 420 mm L: 450 mm K: 990 mm kuni 1 020 mm	P: 1 390 mm kuni 1 440 mm L: 460 mm K: 990 mm kuni 1 020 mm
	hoiustatult (ilma murukogujata)	520 mm × 450 mm × 880 mm	520 mm × 460 mm × 885 mm
Nimipinge	Alalisvool 36 V – 40 V max		
Netokaal	14,9 - 17,3 kg	15,6 - 18,2 kg	
Kaitseaste	IPX4		

- Meie pideva uuringu- ja arendusprogrammi tõttu võidakse tehnilisi andmeid muuta ilma sellest ette teatamata.
- Tehnilised andmed võivad riigiti erineda.
- Kaal võib erineda olenevalt lisaseadistest, kaasa arvatud akukassetist. Kergeim ja raskeim kombinatsioon EPTA-protseduuri 01/2014 kohaselt on toodud tabelis.

## Sobiv akukasset ja laadija

Akukasset	BL4020* / BL4025* / BL4040* / BL4050F* / BL4080F* *: Soovituslik aku
Laadija	DC40RA / DC40RB / DC40RC

- Mõned eespool loetletud akukassetid ja -laadid ei pruugi olla teie riigis saadaval.

**⚠ HOIATUS:** Kasutage ainult ülalpool loetletud akukasseid ja laadureid. Muude akukassetide ja laadurite kasutamine võib tekitada vigastusi ja/või tulekahju.

**⚠ HOIATUS:** Ärge kasutage selle masinaga juhtmega vooluvarustust nagu akuadapter või portatiivne akukomplekt. Sellise vooluvarustuse juhe võib tööd takistada ja põhjustada kehavigastusi.

## Sümbolid

Alljärgnevalt kirjeldatakse tingimärke, mida võidakse seadmetel kasutada. Enne seadme kasutamist tehke endale selgeks nende tähendus.



Olge äärmiselt ettevaatlik ja tähelepanelik.



Lugege juhendit.



Ohtlik; pidage silmas õhkupaiskuvaid objekte.



Masina ja kõrvalseisjate vaheline kaugus peab olema vähemalt 15 m.



Ärge pange kunagi käsi või jalgu niiduki all oleva löike-tera lähedusse. Niiduki löike-terad pöörlevad edasi ka pärast mootori väljalülitamist.



Hoiatus; lahutage aku enne hooldamist.



Ainult EL-i riikide puhul  
Seadmes sisalduvate ohtlike osade tõttu võivad elektri- ja elektroonikaseadmete jäätmel, akud ja patareid avaldada negatiivset mõju keskkonnale ja inimeste tervisele. Elektri- ja elektroonikaseadmeid ega akusid ei tohi kõrvaldada koos olmejäätmetega! Euroopa elektri- ja elektroonikaseadmete jäätmel, akude ja patareide ning nende jäätmel direktiivi ja riikliku õigusse ülevõtmise kohaselt tuleb elektri- ja elektroonikaseadmete, akude ja patareide jäätmel koguda eraldi ning viia eraldi-seisvasse olmejäätmete kogumispunkti, mis tegutses kooskõlas keskkonnakaitse eeskirjadega. Sellele osutab seadmele paigaldatud läbikiirjutatud ratasest prügikasti sümbol.



Garanteeritud helivõimsustase ELi välis-tingimustes kasutatavate seadmete müratase direktiivi kohaselt.



Helivõimsustase Austraalia NSW mürakontrolli määрус kohaselt

## Kavandatud kasutus

Masin on ette nähtud muru niitmiseks.

## Müra

Tüüpiline A-korrigeeritud müratase, määratud standardi EN62841-4-3 kohaselt:

### Mudel LM003G

Mõõdetud helivõimsuse tase ( $L_{WA}$ ): 90 dB (A)  
Garanteeritud helivõimsuse tase ( $L_{WA}$ ): 93 dB (A)  
Helirõhutase ( $L_{pA}$ ): 83 dB (A)  
Helirõhutaseme määramatus (K): 3 dB (A)

### Mudel LM004G

Mõõdetud helivõimsuse tase ( $L_{WA}$ ): 90 dB (A)  
Garanteeritud helivõimsuse tase ( $L_{WA}$ ): 93 dB (A)  
Helirõhutase ( $L_{pA}$ ): 81 dB (A)  
Helirõhutaseme määramatus (K): 3 dB (A)

**MÄRKUS:** Deklareeritud müra väärtust (väärtuseid) on mõõdetud kooskõlas standardse katsemeetodiga ning seda võib kasutada ühe seadme võrdlemiseks teisega.

**MÄRKUS:** Deklareeritud müra väärtust (väärtuseid) võib kasutada ka mürataseme esmaseks hindamiseks.

**⚠️HOIATUS:** Kasutage kõrvakaitsmeid.

**⚠️HOIATUS:** Müratase võib elektritööriista tegelikkuses kasutamise ajal erineda deklareeritud väärtus(t)est olenevalt tööriista kasutusviisidest ja eriti töödeldavast toorikust.

**⚠️HOIATUS:** Rakendage operaatori kaitsmiseks kindlasti piisavaid ohutusabinõusid, mis põhinevad hinnangulisel müratasemel tegelikus tööolukorras (võttes arvesse tööperioodi kõiki osasid, näiteks korrad, kui seade lülitatakse välja ja seade töötab tühikäigul, lisaks tööajale).

## Vibratsioon

Vibratsiooni koguväärtus (kolmeteljeliste vektorite summa) määratud standardi EN62841-4-3 kohaselt:

### Mudel LM003G

Vibratsiooniheide ( $a_h$ ): 2,5 m/s<sup>2</sup> või vähem  
Määramatus (K): 1,5 m/s<sup>2</sup>

### Mudel LM004G

Vibratsiooniheide ( $a_h$ ): 2,5 m/s<sup>2</sup> või vähem  
Määramatus (K): 1,5 m/s<sup>2</sup>

**MÄRKUS:** Deklareeritud vibratsiooni koguväärtust (-väärtuseid) on mõõdetud kooskõlas standardse katsemeetodiga ning seda võib kasutada ühe seadme võrdlemiseks teisega.

**MÄRKUS:** Deklareeritud vibratsiooni koguväärtust (-väärtuseid) võib kasutada ka mürataseme esmaseks hindamiseks.

**⚠️HOIATUS:** Vibratsioonitase võib elektritööriista tegelikkuses kasutamise ajal erineda deklareeritud väärtus(t)est olenevalt tööriista kasutusviisidest ja eriti töödeldavast toorikust.

**⚠️HOIATUS:** Rakendage operaatori kaitsmiseks kindlasti piisavaid ohutusabinõusid, mis põhinevad hinnangulisel müratasemel tegelikus tööolukorras (võttes arvesse tööperioodi kõiki osasid, näiteks korrad, kui seade lülitatakse välja ja seade töötab tühikäigul, lisaks tööajale).

## Vastavusdeklaratsioon

### Ainult Euroopa riikide puhul

Vastavusdeklaratsioonid on selle juhendi A-lisas.

## OHUTUSHOIATUSED

### Üldised elektritööriistade ohutushoiatused

**⚠️HOIATUS** Lugege läbi kõik selle elektritööriista kaasas olevad ohutushoiatused, juhised, illustreeritud näidised ja tehnilised andmed. Alljärgnevate juhiste eiramine võib põhjustada elektrilöögi, süttimise ja/või raske kehavigastuse.

### Hoidke edaspidisteks viideks alles kõik hoiatused ja juhtnõidid.

Hoiatuses kasutatud termini „elektritööriist“ all peetakse silmas elektriga töötavaid (juhtmega) elektritööriistu või akuga töötavaid (juhtmeta) elektritööriistu.

### Juhtmeta muruniiduki ohutushoiatused

1. **Ärge kasutage muruniidukit halbades ilmastikuoludes, eriti kui valitakse äikesoht.** Sellega vähendate pikselöögiohtu.
2. **Kontrollige põhjalikult eluslooduse ala, kus muruniidukit kasutatakse.** Muruniiduk võib töötamise ajal metsloomi vigastada.
3. **Kontrollige põhjalikult ala, kus muruniidukit kasutatakse ning eemaldage kõik kivid, pulgad, traadid, luud ja muud võõrkehad.** Masina alt lendav ese võib tekitada kehavigastusi.
4. **Enne muruniiduki kasutamist kontrollige alati visuaalselt, et tera ja terakomplekt poleks kulumud ega kahjustatud.** Kulunud või kahjustatud osad suurendavad vigastuste ohtu.
5. **Kontrollige murupüüdur sageli kulumist või muul viisil kahjustumist.** Kulunud või kahjustatud murupüüdur võib suurendada kehavigastuste ohtu.
6. **Hoidke kaitsmed oma kohal. Kaitsmed peavad olema töökorras ja korralikult paigaldatud.** Kaitse, mis on tulnud lahti, kahjustatud või ei tööta korralikult, võib tekitada kehavigastusi.
7. **Hoidke kõik jahutusõhuavad prahtist puhtad.** Blokeeritud õhu sisselaskeavad ja praht võivad põhjustada ülekuumenemist või tuleohtu.
8. **Kandke muruniidukiga töötamise ajal alati mitelibisevaid ja kaitsvaid jalatseid.** Ärge tööta muruniidukoga, kui olete paljajalu või kannate lahtisi sandaale. See vähendab kokkupuutel liikuva teraga jalgade vigastamise võimalust.
9. **Kandke muruniidukiga töötamise ajal alati pikki pükse.** Katmata nahk suurendab masina alt lendavatest esemetest tekkivate vigastuste tõenäosust.

- Vältige muruniiduki kasutamist määrjas rohus. Kõndige, ärge kunagi jookske. See vähendab libisemise ja kukkumise ohtu, mis võib tekitada kehavigastusi.
- Ärge kasutage muruniidukit liiga järskudel kallakutel. See vähendab kontrolli kaotamise, libisemise ja kukkumise ohtu, mis võib tekitada kehavigastusi.
- Kallakutel töötades veenduge alati, et teie jalgealune oleks kindel, töötage alati kallaku esiküljega risti, mitte kunagi üles või alla ning olge suunda muutes alati väga ettevaatlik. See vähendab kontrolli kaotamise, libisemise ja kukkumise ohtu, mis võib tekitada kehavigastusi.
- Olge eriti ettevaatlik muruniidukit tagurpidi liigutades või enda poole tõmmates. Jälgige alati ümbristsevat. See vähendab töötamise ajal komistamise ohtu.
- Ärge puudutage terasid ega muid ohtlikke liikuvaid osi, kui need veel liiguvad. See vähendab liikuvatest osadest tekitatud vigastuste ohtu.
- Kinnijäänud materjali eemaldamisel või muruniiduki hooldamisel veenduge, et kõik toitelülitid oleks välja lülitatud ning akupakk oleks lahti ühendatud. Muruniiduki juhuslik käivitamine võib tekitada raskeid kehavigastusi.

## HOIDKE JUHEND ALLES.

**⚠️ HOIATUS:** ÄRGE UNUSTAGE järgida toote ohutusnõudeid mugavuse või toote (korduskasutamise saavutatud) hea tundmise tõttu.

VALE KASUTUS või kasutusjuhendi ohutuseeskirjade eiramine võib põhjustada tervisekahjustusi.

## TÄHTSAD OHUTUSJUHISED

**⚠️ HOIATUS:** Lugege läbi kõik ohutushoiatused ja juhtnõõrid. Hoiatuste ja juhtnõõride mittejärgmine võib põhjustada elektrišokki, tulekahju ja/või tõsisid vigastusi.

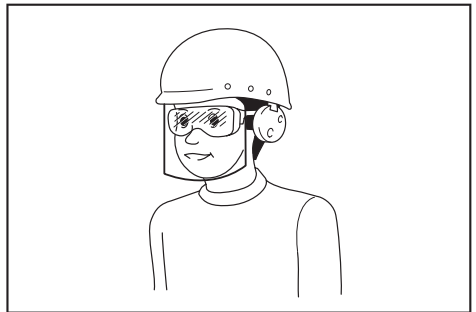
## Hoidke edaspidisteks viideteks alles kõik hoiatused ja juhtnõõrid.

### Õpe

- Lugege tähelepanelikult juhiseid. Õppige põhjalikult tundma niiduki juhtimiseadiseid ja õiget kasutamist.
- Mitte mingil juhul ärge lubage niidukit kasutada lastel ega isikutel, kes pole tutvunud kasutusjuhendiga. Kohalikud määrused võivad seada piiranguid kasutaja vanusele.
- Ärge kunagi kasutage niidukit siis, kui läheduses viibivad inimesed (eriti lapsed) või lemmikloomad.
- Pidage meeles, et muruniiduki omanik või kasutaja vastutab teistele isikutele põhjustatud vigastuste või nende varale tekitatud kahjustuste eest.
- Jälgige, et lapsed niidukiga ei mängiks.
- Füüsiline seisund – ärge kasutage niidukit, kui olete uimastite, alkoholi või ravimite mõju all.

### Ettevalmistus

- Kandke niidukiga töötamise ajal alati tugevaid jalatseid ja pikki pükse. Ärge töötage niidukiga, kui olete paljajalu või kannate lahtisi sandaale. Vältige liiga avarate ja rippuvate lipsude või nõõridega riiete või ehete kandmist. Need võivad liikuvate osade vahele kinni jääda.
- Enne kasutamist kontrollige visuaalselt, et niiduki kaitsmed ega katted poleks kahjustunud, kadunud või vales kohas.
- Enne niitmise alustamist veenduge, et niidetaval alal poleks teisi inimesi. Seisake niiduk, kui keegi siseneb niidetavale alale.
- Kandke elektritööriistu kasutades oma silmade vigastuste eest kaitsmiseks alati kaitseprille. Prillid peavad vastama USA-s standardile ANSI Z87.1, Euroopas standardile EN 166 või Austraalias/Uus-Meremaal standardile AS/NZS 1336. Austraalias/Uus-Meremaal on näo kaitsmiseks seadusega nõutud ka näokaitsme kasutamine.



Tööandja kohustus on nõuda, et tööriista operaatorid ja teised tööpiirkonnas viibivad isikud kannaksid sobivat ohutusvarustust.

- Kontrollige löiketerasid või terapolte enne kasutamist hoolikalt mõrde või kahjustuste suhtes. Vahetage mõranenud või kahjustatud löiketerad või löiketerade poldid kohe välja.
- Eemaldage võõrkehad (nt kivid, traadijupid, pudelid, luud ja suuremad oksad) niidetavalt alalt enne niitmise alustamist, et vältida tervisekahjustusi ja niiduki kahjustamist.
- Kui niiduki löiketera tabab mõnda eset, võib see põhjustada tõsisid tervisekahjustusi. Muru tuleb enne niitmist alati tähelepanelikult kontrollida ja kõigist esemetest puhastada.
- Jälgige auke, rõõpaid, muhke, kive või muid varjatud esemeid. Ebatasane maapind võib põhjustada libisemist ja kukkumist. Pika muru sisse võivad olla peidetud takistused.
- Kasutage isikukaitsevahendeid. Kandke alati silmakaitseid. Kaitsevahendid, näiteks oludesse sobiv tolmu mask, libisemiskindlad turvalatsid, kõva peakate või kõrvaklapid, vähendavad tervisekahjustusi.

### Kasutamine

- Ärge küünitage liiga kaugele ette. Hoidke alati tasakaalu. Jälgige kallakutel alati, et teil oleks kindel jalgealune. Kõndige, ärge kunagi jookske.

2. Seisake niiduk ja lülitage masin välja ning veenduge, et kõik liikuvad osad oleksid täielikult seiskunud:
    - alati, kui niiduki juurest lahkute;
    - enne niidukist takistuste või väljaviskerennist ummistuste eemaldamist;
    - enne niiduki kontrollimist, puhastamist või hooldamist;
    - pärast seda, kui lõiketera on võõrkeha tabanud. Kontrollige, et niidukil poleks kahjustusi, ning tehke kõik vajalikud remonditööd enne selle taaskäivitamist ja niitmise jätkamist,
    - alati kui niiduk hakkab ebatavaliselt vibreerima.
  3. Ärge kasutage kunagi niidukit, mille kaitsekatted on defektseks või mille ohutusseadised (nt suunaja ja/või murukogur) on eemaldatud.
  4. Vältige niiduki kasutamist halva ilmaga, eriti kui valitseb äikesoht.
  5. Niidukiga töötamisel peavad silmad olema alati kaitsitud ja tuleb kanda toekaid jalanõusid.
  6. Töötage niidukiga ainult päevavalguses või hea tehisvalgustuse olemasolul.
  7. Niiduki sisselülitamisel järgige tähelepanelikult juhtnõure ja hoidke jalad lõiketera(de)st eemal.
  8. Olge tähelepanelik, et te ei vigastaks niiduki teradega oma jalgu ega käsi.
  9. Kandke hoolt selle eest, et ventilatsioonivad oleksid alati prahist puhtad.
  10. Niitke kallakuid küljelt küljele ja mitte kunagi ülevalt alla või alt üles. Olge kallakutel liikumissuunda muutes äärmiselt ettevaatlik. Ärge niitke liiga järskudel kallakutel.
  11. Olge eriti ettevaatlik niidukit tagurpidi liigutades või enda poole tõmmates.
  12. Seisake lõiketera(d), kui niidukit tuleb kallutada, et liikuda üle alade, mis ei ole muruga kaetud, ning siis, kui viite niidukit niitmisalale või sealt ära.
  13. Ärge kallutage niidukit, kui mootorit sisse lülitate, v.a juhul, kui see on käivitamiseks vajalik. Sellisel juhul ärge kallutage niidukit rohkem kui vaja ning tõstke ainult seda osa, mis jääb kasutajast eemale. Enne niiduki maapinnale tagasi asetamist veenduge alati, et mõlemad käed oleksid tööasendis.
  14. Ärge pange käsi ja jalgu pöörlevate osade lähedale ega nende alla. Hoidke väljaviskeava alati takistustest puhtana.
  15. Ärge transportige niidukit, kui see on sisse lülitatud.
  16. Vältige niiduki kasutamist märjas rohus.
  17. Hoidke alati käepidemest kindlalt kinni.
  18. Ärge haarake niidukit hoides või üles tõstes katmata lõiketeradest või -servadest.
  19. Hoidke käed ja jalad pöörlevatest lõiketeradest eemal. Ettevaatust! Toite väljalülitamise järel pöörlevad terad vaba hooga edasi.
  20. Kui märkate midagi ebatavalist, lõpetage kohe töö. Lülitage niiduk välja. Seejärel kontrollige niidukit.
  21. Kui niidukil on lõikekõrguse reguleerimise võimalus, ärge püüdke reguleerida niitmiskõrgust niiduki töötamise ajal.
  22. Enne sissesõiduteede, kõnniteede, teede või kruusaga kaetud alade ületamist vabastage hooblüüti ja oodake, kuni lõiketera seiskub. Samuti seisake masin, kui lahkute niiduki juurest, küünitate midagi oma liikumisteelt üles võtma või eemaldama, või mõne muu põhjuse korral, mis ei lase teil oma tegevusele keskenduda.
  23. Kui niiduki lõiketera tabab võõrkeha, toimige järgmiselt:
    - Peatage niiduk, vabastage hooblüüti ja oodake, kuni lõiketera on täielikult seiskunud.
    - Eemaldage akukasett.
    - Kontrollige niidukit põhjalikult igasuguste kahjustuste suhtes.
    - Vahetage lõiketera välja, kui see on mingil moel kahjustada saanud. Enne niiduki taaskäivitamist ja töö jätkamist parandage kõik kahjustused.
  24. Ärge seisake seadet käivitamise ajal väljaviskeava ees.
  25. Kui niiduk hakkab ebanormaalselt vibreerima, siis
    - kontrollige seda kohe kahjustuste suhtes;
    - asendage või parandage kõik kahjustunud osad;
    - kontrollige osade pingust ja pinguldage lahitud osad.
  26. Ärge kunagi suunake välja heidetavat materjali kellegi poole. Vältige materjali seinale või takistusele heitmist. Materjal võib kasutaja poole tagasi lennata. Kruusapindade ületamisel seisake tera.
  27. Tõmmake niidukit tagasisuunas ainult äärmisel juhul. Kui peate niidukit aia või muu sarnase takistuse juurest eemale tõmbama, vaadake enne tagasisuunas liikumist alla ja seljataha.
  28. Enne murupüüdari eemaldamist lülitage mootor välja ja oodake, kuni tera on täielikult peatunud. Olge ettevaatlik, sest terad liiguvad pärast väljalülitamist vabakäiguga edasi.
  29. Masina kasutamisel perisel, libedal maapinnal või märjal kallakul pöörake tähelepanu kindlale jalgealusele.
  30. Ärge ajage masinat sügavale lompi.
  31. Masinaga töötamisel pöörake tähelepanu torudele ja juhtmetele.
- Hooldus ja hoiundamine**
1. Ohutuse tagamiseks vahetage kulunud või kahjustunud osad uute vastu. Kasutage ainult originaalvaruosid ja -tarvikuid.
  2. Kontrollige ja hooldage niidukit regulaarselt.
  3. Kui niidukit ei kasutata, hoidke seda lastele kättesaamatus kohas.
  4. Seadme ohutu talitluse tagamiseks hoidke kõik mutrid, poldid ja kruvid tugevasti pinguldatusena.
  5. Kontrollige murukogurit sageli kulumise või muul viisil kahjustumise suhtes. Enne hoiustamist veenduge alati, et murukogur oleks tühi. Ohutuse tagamiseks asendage kulunud murukogur alati tootja originaalosaga.
  6. Kasutage ainult juhendis kirjeldatud tootja originaallõiketeri.

7. Olge niiduki reguleerimisel ettevaatlik, et vältida sõrmede muljumist niiduki fikseeritud osade ja liikuvate lõiketerade vahele.
8. Kontrollige lõiketera fiksaatorpolti regulaarselt korrektse pinguse suhtes.
9. Laske niidukil alati enne hoiustamist maha jahtuda.
10. Olge lõiketerade hooldamisel teadlik sellest, et kuigi toide on välja lülitatud, võivad lõiketerad siiski liikuda.
11. Ärge kunagi eemaldage ega muutke oma-võlliselt kaitseseadmeid. Kontrollige nende töökorra regulaarselt. Ärge kunagi tehke midagi, mis häiriks kaitseseadme kavandatud funktsiooni või vähendaks kaitseseadme kaitsevõimet.
12. Ärge jätke masinat järelevalveta vihma kätte.
13. Masina hoiule panemisel vältige otsest päike-valgust ja vihma ning see ei tohiks muutuda hoiukohas liiga kuumaks ega niiskeks.
3. Ärge laadige akut vihma käes ega märjas keskkonnas.
4. Ärge laadige akut välistingimustes.
5. Ärge käsitsege laadurit, sh laaduri pistikut ja laadimisterminali märgade kätega.
6. Ärge vahetage akut vihma käes.
7. Ärge tehke aku kontakte vee vm vedelikuga märjaks ega pange akut vee alla. Ärge jätke akut vihma kätte, samuti ärge laadige, kasutage ega hoiustage akut niiske või märjas kohas. Kui aku kontakt saab märjaks või vedelik tungib aku sisse, võib aku lühistada ning tekkida ülekuumenemise, süttimise või plahvatuse oht.
8. Pärast masinast või laadijast aku eemaldamist kinnitage akukate kindlasti akule ja hoidke akut kuivas kohas.
9. Ärge vahetage akut märgade kätega.
10. Vältige ohtlikku keskkonda. Ärge kasutage masinat niisketes või märgades kohtades ega jätke seda vihma kätte. Masina sisse sattunud vesi suurendab elektrilöögiohtu.
11. Kui akukasett saab märjaks, laske vesi välja ja pühkige seda kuiva lapiga. Enne kasutamist kuivatage akukasett täielikult kuivas kohas.

#### Akuga tööriista kasutamine ja hooldus

1. Laadige alati laadijaga, mille tootja on heaks kiitnud. Laadija, mis sobib kasutamiseks ühte tüüpi akuga, võib kaasa tuua tulekahjuohtu, kui seda kasutada koos mõnda teist tüüpi akuga.
2. Kasutage elektritööriista üksnes spetsiaalselt neile toodetud akudega. Mis tahes muude akude kasutamine võib tekitada tervisekahjustusi või tulekahjuohtu.
3. Kui akut ei kasutata, ärge hoidke seda koos muude metallesemetega, nagu kirjaklambrid, mündid, võtmed, naelad, kruvid jm väiksed metallesemed, mis võivad tekitada ühenduse klemmide vahel. Akuklemmide lühis võib põhjustada põletusi ja tulekahjuohtu.
4. Väärkasutamise tagajärjel võib akust valguda välja vedelikku; ärge seda puudutage. Kui olete selle vedelikuga siiski kogemata kokku puutunud, uhtke kohta veega. Kui vedelik on sattunud silma, minge arsti juurde. Akust väljavalgunud vedelik võib põhjustada ärritust ja põletusi.
5. Ärge kasutage akupaketti ega tööriista, mis on kahjustatud või muudetud. Kahjustatud või muudetud akud võivad käituda etteaimamatult, põhjustades süttimis-, plahvatus- või vigastusohu.
6. Kaitske akupaketti ja tööriista tule ja kõrge temperatuuri eest. Tule või kõrgema kui 130 °C temperatuuriga kokkupuutumine võib tuua kaasa plahvatuse.
7. Pidage kinni kõigist laadimisjuhustest ja ärge laadige akupaketti ega tööriista väljaspool juhendis märgitud temperatuurivahemikku. Valesi või väljaspool märgitud temperatuurivahemikku laadimine võib kahjustada akupaketti ja suurendada süttimisohtu.

#### Elektriohtus ja aku ohutu talitlus

1. Ärge visake kasutatud akut (akusid) tulle. Element võib plahvata. Kasutatud akude käitlemise võimalikud erinõuded leiate kohalikest eeskirjadest.
2. Akut (akusid) ei tohi avada ega kahjustada. Väljavalgunud elektrolüüt on söövitava toimega ning võib kahjustada silmi ja nahka. See võib osutada allaneelamisel mürgiseks.

#### Hooldus

1. Laske elektritööriista hooldada eksperdil, kes kasutab vaid originaalvaruosi. Siis püsib elektritööriista ohutus.
2. Ärge hooldage kahjustatud akupakette. Akupakette võivad hooldada ainult tootja või ametlikud teenusepakkujad.

## HOIDKE JUHEND ALLES.

**⚠️ HOIATUS:** ÄRGE UNUSTAGE järgida toote ohutusnõudeid mugavuse või toote (korduskasutamise saavutatud) hea tundmise tõttu.  
VALE KASUTUS või kasutusjuhendi ohutuseeskirjade eiramine võib põhjustada tervisekahjustusi.

### Akupassetiga seotud olulised ohutusjuhised

1. Enne akukasetti kasutamist lugege (1) akulaadijal, (2) akul ja (3) seadmel olevad juhtnõidid ja hoiatused läbi.
2. Ärge võtke akukasetti lahti ega muutke seda. See võib põhjustada tulekahju, liigset kuumust või plahvatuse.
3. Kui tööaeg järsult lüheneb, siis lõpetage kohe kasutamine. Edasise kasutamise tulemuseks võib olla ülekuumenemisoht, võimalikud põletused või isegi plahvatus.
4. Kui elektrolüüt satub silma, siis loputage silma puhta veega ja pöörduge koheselt arsti poole. Selline õnnetus võib põhjustada pimedaksjäämist.
5. Ärge tekitage akukasettis lühist:
  - (1) Ärge puutuge klemme elektrijuhtidega.
  - (2) Ärge hoidke akukasetti tööriistakastis koos metallesemetega, nagu naelad, mündid jne.
  - (3) Ärge tehke akukasetti märjaks ega jätke seda vihma kätte.

Aku lühis võib põhjustada tugevat elektri-  
voolu, ülekuumenemist, põletusi ning ka sea-  
det tõsiselt kahjustada.

- Ärge hoidke ega kasutage tööriista ja akukas-  
setti kohtades, kus temperatuur võib tõusta  
üle 50 °C (122 °F).
- Ärge põletage akukasetti isegi siis, kui see on  
saanud tõsiselt vigastada või on täiesti kulu-  
nud. Akukasett võib tules plahvatada.
- Ärge naelutage, löigake, muljuge, visake aku-  
kassetti ega laske sel kukkuda, samuti ärge  
lööge selle pihta kõva esemega. Selline tegevus  
võib põhjustada tulekahju, liigset kuumust või  
plahvatuse.
- Ärge kasutage kahjustatud akut.
- Sisalduvatele liitium-ioonakudele võivad kohal-  
duda ohtlike kaupade õigusaktide nõuded.  
Kaubanduslikul transportimisel, näiteks kolman-  
date poolte või transpordiettevõtete poolt, tuleb  
järgida pakendil ja siltidel toodud erinõudeid.  
Transportimiseks ettevalmistamisel on vajalik  
pidada nõu ohtliku materjali eksperdigaga. Samuti  
tuleb järgida võimalike riiklike regulatsioonide  
üksikasjalikumaid nõudeid.  
Katke teibiga või varjake avatud kontaktid ja  
pakendage aku selliselt, et see ei saaks pakendis  
liikuda.
- Kasutuskõlbmatuks muutunud akukasetti  
kõrvaldamiseks eemaldage see tööriistast ja  
viige selleks ette nähtud kohta. Järgige kasu-  
tuskõlbmatuks muutunud aku kõrvaldamisel  
kohalike eeskirju.
- Kasutage akusid ainult Makita heaks kiidetud  
toodetega. Akude paigaldamine selleks mitte  
ettenähtud toodetele võib põhjustada süttimist,  
ülemäärast kuumust, plahvatamist või elektrilöödi  
lekkimist.
- Kui tööriista ei kasutata pika ajaperioodi jook-  
sul, tuleb aku tööriistast eemaldada.
- Kasutamise ajal ja pärast kasutamist võib  
akukasett kuumeneda, mis võib põhjustada  
põletusi või madala temperatuuri põletusi.  
Olge kuuma akukasetti kandmisel ettevaatlik.
- Ärge puudutage tööriista klemmi kohe pärast  
kasutamist, sest see võib olla kuum ja põhjus-  
tada põletusi.
- Hoidke akukasetti klemmid, avad ja sooned  
tükikestest, tolmust ja mullast puhtad. See  
võib põhjustada tööriista või aku ülekuumenemist,  
süttimist, purunemist ja talitlushäireid, mis võib  
lõppeda põletuste või kehavigastustega.
- Kui tööriist ei kannata kasutamist kõrgepinge-  
geliinide lähedal, ärge kasutage akukasetti  
kõrgepingeliinide lähedal. Muidu võib tööriist või  
akukasett puruneda või sellel tõrge tekkida.
- Hoidke akut lastele kättesaamatult.

## HOIDKE JUHEND ALLES.

**⚠ETTEVAATUST:** Kasutage ainult Makita  
originaalakusid. Mitte Makita originaalakude või  
muudetud akude kasutamine võib põhjustada akude  
süttimise, kehavigastuse ja kahjustuse. Samuti muu-  
dab see kehtetuks Makita tööriista ja laadija Makita  
garantii.

## Vihjeid aku maksimaalse kasu- tusaja tagamise kohta

- Laadige akukasetti enne selle täielikku  
tühjenemist. Kui märkate, et tööriist töötab  
väiksema võimsusega, peatage töö ja laadige  
akukasetti.
- Ärge laadige täielikult laetud akukasetti.  
Ülelaadimine lühendab akude kasutusiga.
- Laadige akukasetti toatemperatuuril 10 °C -  
40 °C. Enne laadimist laske kuumenenud aku-  
kassetil maha jahtuda.
- Kui te ei kasuta parajasti akukasetti, eemal-  
dage see tööriistast või laadurist.
- Kui te ei kasuta akukasetti kauem kui kuus  
kuud, laadige see.

## KOKKUPANEK

**⚠HOIATUS:** Veenduge enne masinal igasu-  
guste tööde tegemist alati, et akukasett oleks  
eemaldatud. Akukasetti eemaldamata jätmine võib  
põhjustada niiduki juhuslikul käivitumisel raskeid  
kehavigastusi.

**⚠HOIATUS:** Ärge käivitage kunagi niidukit, kui  
see pole täielikult monteeritud. Osaliselt kokku-  
pandud masina juhuslik käivitamine võib põhjustada  
tõsiseid kehavigastusi.

## Akukatte paigaldamine

**⚠HOIATUS:** Ärge paigaldage akukasetti enne  
akukatte paigaldamist. Muidu võib tagajärjeks olla  
raske vigastus.

Enne töötamise algust paigaldage täielikult akukate.  
Akukate kaitseb niidukit ja akukasetti pori, prahi ja vee  
eest.

- Asetage akukate selliselt, et niiduki endid oleksid  
kohakuti akukattes asuvate avadega.  
▶ **Joon.1:** 1. Eend 2. Ava 3. Akukate
- Asetage käed akukatte keskele ja suruge seda.  
▶ **Joon.2**
- Veenduge, et akukate oleks kindlalt kinnitatud ja  
lukustushoovaga tugevalt lukustatud.  
▶ **Joon.3:** 1. Lukustushoob

## Käepideme paigaldamine

**⚠ETTEVAATUST:** Paigaldage käepidemed  
tugevalt.

**TÄHELEPANU:** Käepidemete paigaldamisel pai-  
gutage juhtmed nii, et need ei jääks käepidemete  
vahel millegi külge kinni. Kui juhe on kahjustunud,  
ei pruugi niiduki lüliti toimida.



1. Asetage alumise käepideme mõlemad otsad niidukikerel olevatesse soontesse ning seejärel pingutage kinnitushoovad ja pange need kokku.

► **Joon.4:** 1. Kinnitushoob 2. Alumine käepide

Kinnitushoobade kinnitamisel kinnitage need, kuni hoobadel olevaid rõngaid pole enam näha.

► **Joon.5:** 1. Rõngas

**MÄRKUS:** Jälgige, et alumise käepideme ja niidukikere vahel ei oleks pärast kinnitushoobade kokkupanekut tühimikku.

► **Joon.6**

2. Viige ülemises käepidemes olev ava kohakuti alumises käepidemes oleva avaga, sisestage seejärel väljastpoolt polt ja keerake mutter seestpoolt kinni. Korrake sama protseduuri teisel pool.

► **Joon.7:** 1. Tiibmutter 2. Polt

**MÄRKUS:** Hoidke ülemist käepidet kindlalt, nii et see ei kukuks teil käest maha.

## Multšimiskorgi eemaldamine

1. Avage tagakaas.

► **Joon.8:** 1. Tagakaas

2. Hoidke multšimiskorki käepidemest ja tõmmake see joonisel näidatud viisil niiduki kerest välja.

► **Joon.9:** 1. Käepide 2. Multšimiskork

## Murukorvi paigaldamine või eemaldamine

Murukorvi paigaldamiseks tegutsege järgmiselt.

1. Avage tagakaas.

► **Joon.10:** 1. Tagakaas

2. Hoidke murukorvi käepidemest ja seejärel haakige murukorv niiduki kerel olevale vardale, nagu on näidatud joonisel.

► **Joon.11:** 1. Varras 2. Käepide 3. Murukogur

Murukorvi eemaldamiseks avage tagakaas ja võtke käepidemest hoides murukorv välja.

## Multšimiskorgi kinnitamine

1. Avage tagakaas ja eemaldage murukogur.

► **Joon.12:** 1. Tagakaas 2. Murukogur

2. Hoidke multšimiskorki käepidemest ja seejärel kinnitage see niidukikerale, lükates selle võimalikult kaugele, nagu joonisel on näidatud.

► **Joon.13:** 1. Käepide 2. Multšimiskork

# FUNKTSIONAALNE KIRJELDUS

**⚠ETTEVAATUST:** Enne masina reguleerimist või kontrollimist lülitage see alati välja ja eemaldage akukassett.

## Akukasseti paigaldamine või eemaldamine

**⚠ETTEVAATUST:** Lülitage masin alati enne akukasseti paigaldamist või eemaldamist välja.

**⚠ETTEVAATUST:** Akukasseti paigaldamisel või eemaldamisel tuleb masinat ja akukassetti kindlalt paigal hoida. Kui masinat ja akukassetti ei hoita kindlalt paigal, võivad need käest libiseda ning kahjustada masinat ja akukassetti või põhjustada kehavigastusi.

**⚠ETTEVAATUST:** Enne kasutamist lukustage kindlasti akukate. Muidu võivad pori, muld või vesi põhjustada toote või akukasseti kahjustuse.

**⚠ETTEVAATUST:** Paigaldage akukassett alati täies ulatuses nii, et punane näidik poleks nähtaval. Muidu võib see juhuslikult masinast välja kukkuda ja põhjustada teile või läheduses viibivatele isikutele vigastusi.

**⚠ETTEVAATUST:** Ärge rakendage akukasseti paigaldamisel jõudu. Kui kassett ei lähe kergesti sisse, pole see õigesti paigaldatud.

**⚠ETTEVAATUST:** Akukasseti paigaldamisel ja eemaldamisel hoidke akukatet tugevalt kinni.

## Akukasseti paigaldamine

1. Tõmmake lukustushoob üles ja avage seejärel akukate.

► **Joon.14:** 1. Akukate 2. Lukustushoob

2. Viige akukasseti keel kohakuti niidukil asuva pesaga ja lükake kassetti, kuni see klõpsatusega oma kohale kinnitub.

► **Joon.15:** 1. Akukassett

3. Sulgege akukate tugevalt.

## Niiduki akukasseti eemaldamine

1. Tõmmake lukustushoob üles ja avage akukate.

2. Tõmmake akukassetti niidukist, lükates samal ajal kasseti esiküljel paiknevat nuppu.

3. Sulgege akukate.

## Masina/aku kaitsesüsteem

Masinal on masina/aku kaitsesüsteem. Süsteem lülitab masina ja aku tööea pikendamiseks mootori automaatselt välja. Masin seiskub töö ajal automaatselt, kui masinal või akul esineb mõni järgmistest tingimustest.

## Ülekoormuskaitse

Kui masinat/akut kasutatakse viisil, mis tekitab ebatavaliselt kõrge voolutaseme, siis seiskub masin automaatselt ja süttib punane märgutuli. Sellisel juhul lülitage masin välja ja lõpetage kasutamine, mis põhjustas masina ülekoormuse. Pärast seda käivitage masin uuesti.

## Ülekuumenemiskaitse

Kui masin on ülekuumenenud, seiskub see automaatselt ja süttib punane märgutuli. Laske masinal maha jahtuda, enne kui selle uuesti sisse lülitate.

## Ülelaadimiskaitse

Kui akuvõimsus väheneb, seiskub masin automaatselt ja süttib punane märgutuli. Kui masin ei hakka tööle ka lülitite kasutamisel, eemaldage masinast aku ja laadige seda.

## Kaitse muude põhjuste korral

Kaitsesüsteem on mõeldud ka muude põhjuste jaoks, mis võivad masinat kahjustada, ja see võimaldab masinal automaatselt seiskuda. Kui masin on ajutiselt peatatud või seiskunud, toimige põhjuste kõrvaldamiseks alljärgnevalt.

1. Lülitage masin välja ja seejärel taaskäivitamiseks uuesti sisse.
2. Laadige akut (akusid) või asendage aku (akud).
3. Laske masinal ja akul (akudel) maha jahtuda.

Kui kaitsesüsteemi taastamisega ei õnnestu olukorda parandada, võtke ühendust kohaliku Makita hoolduskeskusega.

**TÄHELEPANU:** Kui masin on seiskunud mõnel muul põhjusel, mida eespool ei kirjeldatud, lugege veaotsingut käsitlevat jaotist.

**MÄRKUS:** Aeg, millal lamp süttib, oleneb töökoha temperatuurist ja akukaskesti seisundist.

## Aku jääkmahutavuse näit









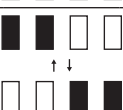

► **Joon.16:** 1. Märgutuli

Kui aku on peaaegu tühi, hakkab vilkuma punane märgutuli. Kasutamise jätkamisel masin seiskub ja punane märgutuli jääb põlema. Sellisel juhul laadige akukaskesti.

## Aku jääkmahutavuse näit

Akukaskesti järelejäänud mahutavuse kontrollimiseks vajutage kontrollimise nuppu. Märgulambid süttivad mõneks sekundiks.

► **Joon.17:** 1. Märgulambid 2. Kontrollimise nupp

Märgulambid			Jääkmahutavus
 Põleb	 Ei põle	 Vilgub	
			75 - 100%
			50 - 75%
			25 - 50%
			0 - 25%
			Laadige akut.
			Akul võib olla tõrge.
			

**MÄRKUS:** Näidatud mahutavus võib veidi erineda tegelikust mahutavusest olenevalt kasutustingimustest ja ümbritseva keskkonna temperatuurist.

**MÄRKUS:** Esimene (taga vasakul asuv) märgutuli vilgub, kui akukaskestisüsteem töötab.

## Lüliti funktsioneerimine

**⚠ HOIATUS:** Kontrollige alati enne akukaskesti sisestamist seda, kas hooblüliti töötab nõuetekohaselt ja kas see liigub pärast vabastamist algasendisse tagasi. Masina juhtimine lüliti abil, mis ei toimi korralikult, võib kaasa tuua kontrolli kaotamise sae üle ja põhjustada tõsisid vigastusi.

**MÄRKUS:** Niiduk ei käivitu, kui te toitelüliti ei vajuta (seda ka juhul, kui hooblüliti tõmbate).

**MÄRKUS:** Niiduk ei pruugi ülekoormuse tõttu käivituda, kui üritate niita liiga kõrget või tihedat heina. Sellisel juhul suurendage niitmiskõrgust.

Sellel masinal on lülitisnupp. Kui märkate lülitisnupu juures midagi ebatavalist, lõpetage kohe kasutamine ja laske lülitisnupu lähimas Makita volitatud teeninduskeskuses kontrollida.

1. Paigaldage akukaskesti ja seejärel sulgege akukaskesti tugevalt.
2. Tõmmake hooblüliti enda poole samal ajal, kui lülitisnupu all hoiate. Vabastage lülitisnupp niipea, kui mootor käivitub.

► **Joon.18:** 1. Lülitisnupp 2. Hooblüliti

3. Vabastage hooblüliti, et mootor seisata.

## Niitmiskõrguse reguleerimine

**⚠HOIATUS:** Ärge pange niitmiskõrguse reguleerimisel käsi või jalgu kunagi niiduki alla.

**⚠HOIATUS:** Veenduge alati enne seadme kasutamist, et hoob sobitaks soonde.

Niitmiskõrgust saab reguleerida vahemikus 20 mm ja 75 mm. Lülitage masin välja ja seejärel tõmmake niitmiskõrguse reguleerimishooba niiduki korpusest väljapoole ja viige soovitud niitmiskõrgusele.

► **Joon.19:** 1. Niitmiskõrguse reguleerimishoob

Allpool esitatud tabelis on näidatud suhet niiduki kerel oleva numbri ja ligikaudse niitmiskõrguse vahel.

Number	Niitmiskõrgus
1	20 mm
2	29 mm
3	36 mm
4	44 mm
5	53 mm
6	61 mm
7	69 mm
8	75 mm

**MÄRKUS:** Niitmiskõrguse näitajaid tuleks kasutada orientiirina. Maapinna ja muru seisundist olenevalt võib tegelik murukõrgus olla valitud kõrgusest erinev.

**MÄRKUS:** Katsetage muru niitmiskõrguse seadistust vähem nähtavas kohas, et leida sobiv kõrgus.

## Rohutaseme indikaator

► **Joon.20:** 1. Rohutaseme indikaator

Rohutaseme indikaator näitab niidetud rohu mahtu.

- Kui murukogur ei ole täis, siis indikaator „ujub“ niitmise ajal.
- Kui murukogur on täis, siis indikaator ei „uju“ niitmise ajal. Sellisel juhul peatage kohe niitmine ja tühjendage kogur. Pärast koguri tühjendamist puhastage seda niimoodi, et õhk pääseks läbi võrgusilmade.

**MÄRKUS:** Selle indikaatori puhul on tegemist ligikaudse näidikuga. Kruvikeeraja on varustatud kruvide sisestamise sügavuse regulaatoriga.

## Käepideme kõrguse reguleerimine

**⚠ETTEVAATUST:** Enne poltide eemaldamist hoidke ülemisest käepidemest kindlalt kinni. Muidu võib käepide maha kukkuda ja kehavigastuse põhjustada.

Käepideme kõrgust saab reguleerida kahele tasemele.

1. Keerake lahti käepideme tiibmutrid ning eemaldage seejärel poldid ja tiibmutrid.

► **Joon.21:** 1. Tiibmutter

2. Reguleerige käepideme kõrgust.

3. Sisestage poldid väljastpoolt ning keerake seejärel tiibmutrid seestpoolt kinni.

## Multšimiskorgi kasutamine

Multšimiskork võimaldab teil niidetud muru tagasi maha lasta, ilma et see murukogurisse kogutaks. Kui kasutate masinat multšimiskorgiga, siis eemaldage kindlasti murukogur.

**TÄHELEPANU:** Masina multšimiskorgiga kasutamisel veenduge, et muru kogupikkus pärast niitmist oleks 30 mm või rohkem, ja lõikepikkus oleks 15 mm või vähem.

► **Joon.22:** (1) 30 mm või rohkem (2) 15 mm või vähem

## TÖÖRIISTA KASUTAMINE

### Niitmine

**⚠HOIATUS:** Puhastage niidetav ala enne niitmist okstest ja kividest. Lisaks puhastage niidetav ala enne niitmist ka umbrohost.

**⚠HOIATUS:** Kandke niiduki kasutamisel alati kaitseprille (või nt külgmiste kaitsetega kaitseprille).

**⚠ETTEVAATUST:** Kui muru või võörkeha on niiduki korpuse seestpoolt ummistanud, võtke akukassetid välja ning pange enne muru või võörkeha eemaldamist kindad kätte.

**TÄHELEPANU:** Kasutage seda seadet ainult muru niitmiseks. Ärge kasutage seda seadet umbrohu niitmiseks.

► **Joon.23**

Hoidke niitmisel kindlalt kahe käega käepidemest kinni.

Soovitatav niitmiskiirus on umbes 1 meetri 2-4 sekundiga.

► **Joon.24**

**MÄRKUS:** Kui kõrge või tiheda muru niitmisel saadakse ebaühtlase kõrguse või halva kvaliteediga tulemus või kui niitmise ajal väheneb mootori kiirus, vähendage niitmiskiirus alla selles juhendis soovitatatu või tõstke niitmiskõrgust.

Niitmislaiuse orientiiriks on esirataste keskjooned. Niitke ribade kaupa, kasutades keskjooni abijoontena. Niitke kuni ühe kolmandiku ulatuses eelmise riba peal (kattuv ala) – nii niidate muru ühtlaselt.

► **Joon.25:** 1. Niitmislaius 2. Kattuv ala 3. Keskjoon

Muutke iga kord niitmise suunda, et ei tekiks ühesuunalist muru mustrit.

► **Joon.26**

Kontrollige regulaarselt murukoguris oleva niidetud muru kogust. Tühjendage murukogur enne selle täitumist. Enne iga korralist kontrolli peatage ja seisake masin.

**TÄHELEPANU:** Täis murukogur takistab niiduki lõiketeradel sujuvalt pöörelda ja lisab mootorile lisakoormuse, mis võib põhjustada mootoririkkeid.

## Kõrge muru niitmine

Ärge niitke kõrget muru korraga. Selle asemel niitke muru mitmes etapis. Jätke niitmiste vahele üks kuni kaks päeva, et muru muutuks ühtlaseks.

**MÄRKUS:** Kõrge rohu korraga lühikeseks niitmine võib põhjustada muru kuivamise. Samuti võib niidetud muru ummistada seest niiduki korpuse.

## Murukoguri tühjendamine

**⚠️HOIATUS:** Õnnetuste ärahoidmiseks kontrollige murukogurit regulaarselt kahjustuste või tugevuse vähenemise suhtes. Vajaduse korral vahetage murukoguri.

1. Vabastage hooblülit.
2. Eemaldage akukasett.
3. Avage tagakaas ja võtke käepidemest hoides murukoguja korv välja.  
▶ **Joon.27:** 1. Tagakaas 2. Käepide
4. Tühjendage murukoguri.

## HOOLDUS

**⚠️HOIATUS:** Veenduge alati enne masina houstamist, kandmist, kontrollimist või hooldamist, et akukasett oleks masinast eemaldatud.

**⚠️HOIATUS:** Kandke kontrollimise või hooldamise ajal kaitsekindaid.

**⚠️HOIATUS:** Kandke niiduki kontrollimisel või hooldamisel alati kaitseprille või külgmiste kaitsemetega kaitseprille.

**TÄHELEPANU:** Ärge kunagi kasutage bensiini, vedeldit, alkoholi ega midagi muud sarnast. Selle tulemuseks võib olla luitumine, deformatsioon või pragunemine.

Toote OHUTUSE ja TÕÕKINDLUSE tagamiseks tuleb vajalikud remonttööd ning muud hooldus- ja reguleerimistööd lasta teha Makita volitatud teeninduskeskustes või tehase teeninduskeskustes. Alati tuleb kasutada Makita varuosi.

## Hooldus

1. Eemaldage akukasett ja seejärel sulgege akukate.
2. Pange niiduk küljele. Puhastage niiduki kere alla kogunenud murujäägid.
3. Valage vett masina põhja suunas, kuhu kinnitati tera.

**TÄHELEPANU:** Ärge peske masinat kõrgsurvepesuriga.

4. Kontrollige kõikide mutrite, poltide, kruvide jne pingust.
5. Kontrollige liikuvaid osi kahjustuste, purunemise ja kulumise suhtes. Kahjustatud või puuduvad osad tuleb remontida või välja vahetada.
6. Hoidke niidukit turvalises ja lastele kättesaamatus kohas.

## Hoiustamine

**⚠️ETTEVAATUST:** Masina viimisel püstiasendisse pange masin tasasele ja stabiilsele aluspinnale. Kui masin asetatakse ebastabiilsele pinnale, võib see ümber minna ja vigastusi põhjustada.

Hoidke niidukit siseruumis jahedas, kuivas ja lukustatud kohas. Ärge hoidke niidukit ega laadurit kohtades, kus temperatuur võib tõusta üle 40 °C.

1. Eemaldage akukasett.
2. Eemaldage murukoguri.
3. Tõmmake kinnitushoovad lahti, seejärel pange käepide kokku ning siis pange kinnitushoovad kokku.  
▶ **Joon.28:** 1. Kinnitushoov
4. Keerake lahti käepidemel olevad tiibmutrid ja seejärel pange ülemine käepide kokku.  
▶ **Joon.29:** 1. Tiibmutter 2. Ülemine käepide
5. Pange masin püstiasendisse.

**MÄRKUS:** Niiduki viimisel püstiasendisse ärge hoidke ainult käepidemest, vaid niiduki kerest ja käepidemest.

6. Hoidke murukogurit käepideme ja niiduki kere vahel.  
▶ **Joon.30:** 1. Murukoguri

## Niiduki kandmine

**⚠️ETTEVAATUST:** Enne niiduki kandmist veenduge, et akukasett oleks eemaldatud.

Niiduki kandmisel hoidke tagumisest käepidemest ja masina esiosal olevast alumisest hoideosast, nagu joonisel on näidatud.

- ▶ **Joon.31:** 1. Alumine hoideosa 2. Tagumine käepide

## Niiduki tera eemaldamine või paigaldamine

**⚠️HOIATUS:** Eemaldage akukasett alati enne lõiketera eemaldamist või paigaldamist. Akukasetti eemaldamata jätmine võib tuua kaasa raskeid vigastusi.

**⚠️HOIATUS:** Pärast lüliti vabastamist pöörleb lõiketera mõned sekundid tühikäigul. Ärge alustage toiminguid enne, kui tera on täielikult seiskunud.

**⚠️HOIATUS:** Kandke lõiketera käsitsemisel alati kaitsekindaid.

## Niiduki tera eemaldamine

1. Asetage niiduk küljele, nii et niitmiskõrguse reguleerimishoov jääks üles.
2. Tera pöörlemise lukustamiseks sisestage tihvt või mõni tööriist, näiteks kruvikeeraja niiduki kerel olevasse avasse.
3. Keerake polti mutrivõtmega vastupäeva.  
▶ **Joon.32:** 1. Niiduki tera 2. Mutrivõti 3. Kruvikeeraja 4. Ava
4. Eemaldage järjekorras polt ja tera.  
▶ **Joon.33:** 1. Tera tugi 2. Niiduki tera 3. Polt

## Niiduki tera paigaldamine

Niiduki tera paigaldamiseks järgige eemaldamise protseduuri vastupidises järjekorras.

**⚠️HOIATUS:** Paigaldage niiduki tera hoolikalt. Sellel on ülemine/alumine külg.

**⚠️HOIATUS:** Seejärel pinguldage polti päripäeva, et löiketera fikseerida.

**⚠️HOIATUS:** Veenduge, et niiduki tera ja kõik selle kinnitusosad oleksid korralikult paigaldatud ja kindlalt pingutatud.

**⚠️HOIATUS:** Terasid vahetades järgige alati juhendis toodud juhtnööre.

## VEAOTSING

Enne parandustöökotta pöördumist kontrollige esmalt ise seadet. Ärge proovige masinat lahti võtta, kui leiате probleemi, mida kasutusjuhendis ei kirjeldata. Selle asemel pöörduge Makita volitatud teeninduskeskusesse, kus kasutatakse parandamisel alati Makita tagavaraosi.

Tõrge	Võimalik põhjus (riike)	Lahendus
Niiduk ei käivitu.	Akukassett ei ole paigaldatud.	Paigaldage laetud akukassett.
	Akuga seotud probleem (alapinge)	Laadige akukassett. Kui laadimine ei anna tulemust, vahetage akukassett välja.
Mootor seiskub pärast lühiajalist töötamist.	Aku laetustase on madal.	Laadige akukassett. Kui laadimine ei anna tulemust, vahetage akukassett välja.
	Niitmiskõrgus on liiga madal.	Suurendage niitmiskõrgust.
Mootor ei saavuta maksimaalset pöörlemiskiirust.	Akukassett ei ole õigesti paigaldatud.	Paigaldage akukassett juhendis kirjeldatud viisil.
	Aku võimsus langeb.	Laadige akukassett. Kui laadimine ei anna tulemust, vahetage akukassett välja.
	Veosüsteem ei tööta korralikult.	Paluge volitatud teeninduskeskuses teha parandustööd.
Niiduki tera ei pöörle: ⇒ seisake kohe niiduk!	Kõrvaline ese, näiteks puuoks on tera blokeerunud.	Eemaldage kõrvaline ese.
	Veosüsteem ei tööta korralikult.	Paluge volitatud teeninduskeskuses teha parandustööd.
Ebatavaline vibratsioon: ⇒ seisake kohe niiduk!	Tera ei ole tasakaalus või on ülemäärä või ebaühtlaselt kulunud.	Vahetage tera.

## VALIKULISED TARIKUD

**⚠️ETTEVAATUST:** Neid tarvikuid ja liseseadmeid on soovitatav kasutada koos Makita masinaga, mille kasutamist selles kasutusjuhendis kirjeldatakse. Muude tarvikute ja liseseadmete kasutamisega võib kaasnedä vigastusoht. Kasutage tarvikuid ja liseseadmeid ainult otstarbekohaselt.

Saate vajaduse korral kohalikust Makita teeninduskeskusest lisateavet nende tarvikute kohta.

- Niiduki tera
- Makita algupärane aku ja laadija

**MÄRKUS:** Mõned nimekirjas loetletud tarvikud võivad olla lisatud põhivarustusena toote pakendisse. Need võivad riigiti erineda.

## ТЕХНИЧЕСКИЕ ХАРАКТЕРИСТИКИ

Модель:		LM003G	LM004G
Ширина скашивания (диаметр лезвия)		380 мм	430 мм
Число оборотов без нагрузки		3 800 мин <sup>-1</sup>	
Сменное лезвие газонокосилки, номер детали	Прямое лезвие газонокосилки	1913G8-3	1913H4-8
	Мульчирующее лезвие	1913H0-6	1913H6-4
Размеры (Д × Ш × В)	во время работы	Д: от 1 370 мм до 1 420 мм Ш: 450 мм В: от 990 мм до 1 020 мм	Д: от 1 390 мм до 1 440 мм Ш: 460 мм В: от 990 мм до 1 020 мм
	в положении для хранения (без корзины для травы)	520 мм x 450 мм x 880 мм	520 мм x 460 мм x 885 мм
Номинальное напряжение		36–40 В пост. тока макс.	
Масса нетто		14,9 – 17,3 кг	15,6 – 18,2 кг
Степень защиты		IPX4	

- Благодаря нашей постоянно действующей программе исследований и разработок указанные здесь технические характеристики могут быть изменены без предварительного уведомления.
- Технические характеристики могут различаться в зависимости от страны.
- Масса может отличаться в зависимости от дополнительного оборудования. Обратите внимание, что блок аккумулятора также считается дополнительным оборудованием. В таблице представлены комбинации с наибольшим и наименьшим весом в соответствии с процедурой EPTA 01/2014.

### Подходящий блок аккумулятора и зарядное устройство

Блок аккумулятора	BL4020* / BL4025* / BL4040* / BL4050F* / BL4080F* *: рекомендуемый аккумулятор
Зарядное устройство	DC40RA / DC40RB / DC40RC

- В зависимости от региона проживания некоторые блоки аккумуляторов и зарядные устройства, перечисленные выше, могут быть недоступны.

**⚠ ОСТОРОЖНО:** Используйте только перечисленные выше блоки аккумуляторов и зарядные устройства. Использование других блоков аккумуляторов и зарядных устройств может привести к травме и/или пожару.

**⚠ ОСТОРОЖНО:** Не используйте с этой машиной проводной источник электропитания, например переходник зарядного устройства или портативный блок питания. Кабель этого источника электропитания может помешать работе и стать причиной травмы.

### Символы

Ниже приведены символы, которые могут использоваться для обозначения оборудования. Перед использованием убедитесь в том, что вы понимаете их значение.



Обратите особое внимание.



Прочитайте руководство по эксплуатации.



Опасность! Возможен разлет твердых предметов.



Расстояние от машины до находящихся поблизости людей должно быть не менее 15 м.



Не приближайте руки и ноги к лезвию газонокосилки под ее днищем. После выключения электродвигателя лезвие газонокосилки продолжают вращаться.



Осторожно! Перед техническим обслуживанием необходимо отсоединить аккумулятор.



Только для стран ЕС  
В связи с наличием в оборудовании опасных компонентов отходы электрического и электронного оборудования, аккумуляторы и батареи могут оказывать негативное влияние на окружающую среду и здоровье человека. Не выбрасывайте электрические и электронные устройства или батареи вместе с бытовыми отходами!  
В соответствии с директивой ЕС по отходам электрического и электронного оборудования, по аккумуляторам, батареям и отходам аккумуляторов и батарей, а также в соответствии с ее адаптацией к национальному законодательству, отходы электрического оборудования, батареи и аккумуляторы следует хранить отдельно и доставлять на пункт раздельного сбора коммунальных отходов, работающий с соблюдением правил охраны окружающей среды. Это обозначено символом в виде перечеркнутого мусорного контейнера на колесах, нанесенным на оборудование.



Гарантированный уровень звуковой мощности в соответствии с Директивой ЕС по шумам вне помещений.



Уровень звуковой мощности в соответствии с Регламентом Австралии (Новый Южный Уэльс) по контролю за шумом

## Назначение

Газонокосилка предназначена для стрижки газонов.

## Шум

Типичный уровень взвешенного звукового давления (A), измеренный в соответствии с EN62841-4-3:

### Модель LM003G

Измеренный уровень звуковой мощности ( $L_{WA}$ ): 90 дБ (A)  
Гарантированный уровень звуковой мощности ( $L_{WA}$ ): 93 дБ (A)  
Уровень звукового давления ( $L_{PA}$ ): 83 дБ (A)  
Погрешность уровня звукового давления (K): 3 дБ (A)

### Модель LM004G

Измеренный уровень звуковой мощности ( $L_{WA}$ ): 90 дБ (A)  
Гарантированный уровень звуковой мощности ( $L_{WA}$ ): 93 дБ (A)  
Уровень звукового давления ( $L_{PA}$ ): 81 дБ (A)  
Погрешность уровня звукового давления (K): 3 дБ (A)

**ПРИМЕЧАНИЕ:** Заявленное значение распространения шума измерено в соответствии со стандартной методикой испытаний и может быть использовано для сравнения инструментов.

**ПРИМЕЧАНИЕ:** Заявленное значение распространения шума можно также использовать для предварительных оценок воздействия.

**▲ОСТОРОЖНО:** Используйте средства защиты слуха.

**▲ОСТОРОЖНО:** Распространение шума во время фактического использования электроинструмента может отличаться от заявленного значения в зависимости от способа применения инструмента и в особенности от типа обрабатываемой детали.

**▲ОСТОРОЖНО:** Обязательно определите меры безопасности для защиты оператора, основанные на оценке воздействия в реальных условиях использования (с учетом всех этапов рабочего цикла, таких как выключение инструмента, работа без нагрузки и включение).

## Вибрация

Суммарное значение вибрации (сумма векторов по трем осям), определенное в соответствии с EN62841-4-3:

### Модель LM003G

Распространение вибрации ( $a_w$ ): 2,5 м/с<sup>2</sup> или менее  
Погрешность (K): 1,5 м/с<sup>2</sup>

### Модель LM004G

Распространение вибрации ( $a_w$ ): 2,5 м/с<sup>2</sup> или менее  
Погрешность (K): 1,5 м/с<sup>2</sup>

**ПРИМЕЧАНИЕ:** Заявленное общее значение распространения вибрации измерено в соответствии со стандартной методикой испытаний и может быть использовано для сравнения инструментов.

**ПРИМЕЧАНИЕ:** Заявленное общее значение распространения вибрации можно также использовать для предварительных оценок воздействия.

**▲ОСТОРОЖНО:** Распространение вибрации во время фактического использования электроинструмента может отличаться от заявленного значения в зависимости от способа применения инструмента и в особенности от типа обрабатываемой детали.

**▲ОСТОРОЖНО:** Обязательно определите меры безопасности для защиты оператора, основанные на оценке воздействия в реальных условиях использования (с учетом всех этапов рабочего цикла, таких как выключение инструмента, работа без нагрузки и включение).

## Декларации о соответствии

*Только для европейских стран*

Декларации о соответствии включены в Приложение А к настоящему руководству по эксплуатации.



# МЕРЫ БЕЗОПАСНОСТИ

## Общие рекомендации по технике безопасности для электроинструментов

**▲ОСТОРОЖНО** Ознакомьтесь со всеми инструкциями по технике безопасности, указаниями, иллюстрациями и техническими характеристиками, прилагаемыми к данному электроинструменту. Несоблюдение всех приведенных далее инструкций может привести к поражению электрическим током, возгоранию и/или тяжелым травмам.

## Сохраните брошюру с инструкциями и рекомендациями для дальнейшего использования.

Термин "электроинструмент" в предупреждениях относится ко всему инструменту, работающему от сети (с проводом) или на аккумуляторах (без провода).

## Правила техники безопасности при использовании аккумуляторной газонокосилки

1. Не используйте газонокосилку в неблагоприятных погодных условиях, особенно если возможны грозовые разряды. Это снизит риск удара молнией.
2. Внимательно осмотрите место, где будет использоваться газонокосилка, и убедитесь, что там нет диких животных. Во время работы газонокосилки оказавшиеся поблизости дикие животные могут получить травмы.
3. Внимательно осмотрите место, где будет использоваться газонокосилка, и уберите оттуда все камни, палки, провода, кости и другие посторонние предметы. Отброшенные предметы могут нанести травму.
4. Прежде чем использовать газонокосилку, обязательно осмотрите ее лезвие и убедитесь, что лезвие и узел лезвия не изношены и не повреждены. Изношенные или поврежденные части повышают риск травмы.
5. Чаще проверяйте травосборник на предмет износа или повреждений. Изношенный или поврежденный травосборник повышает риск травмы.
6. Ограждения должны всегда находиться на месте. Ограждения должны быть в рабочем состоянии и установлены надлежащим образом. Плохо закрепленное, поврежденное или не работающее надлежащим образом ограждение может стать причиной травмы.
7. Не допускайте засорения отверстий для притока охлаждающего воздуха. Засорение отверстий для притока охлаждающего воздуха может привести к перегреву и возгоранию.

8. На время работы с газонокосилкой обязательно надевайте нескользящую защитную обувь. Не работайте с газонокосилкой босиком или в открытых сандалиях. Это позволит снизить риск получения травмы при соприкосновении ноги с движущимся лезвием.
9. На время работы с газонокосилкой обязательно надевайте длинные брюки. Отсутствие защиты кожи повышает вероятность получить травму от отлетающих предметов.
10. Не используйте газонокосилку на мокрой траве. Передвигайтесь шагом, не бегите. Это позволит снизить вероятность того, что вы поскользнетесь и упадете, что, в свою очередь, может привести к травме.
11. Не используйте газонокосилку на чрезмерно крутых склонах. Это позволит снизить вероятность того, что вы потеряете контроль над инструментом, поскользнетесь и упадете, что, в свою очередь, может привести к травме.
12. При работе на склонах всегда крепко стойте на ногах, двигайтесь поперек склона, а не вверх или вниз по склону, и соблюдайте особую осторожность при изменении направления движения. Это позволит снизить вероятность того, что вы потеряете контроль над инструментом, поскользнетесь и упадете, что, в свою очередь, может привести к травме.
13. Соблюдайте особую осторожность, перемещая газонокосилку задним ходом или подтягивая ее к себе. Всегда контролируйте окружающую обстановку. Это позволит снизить вероятность того, что вы споткнетесь во время работы.
14. Не прикасайтесь к лезвиям и другим опасным движущимся частям до их полной остановки. Это позволит снизить вероятность получения травмы движущимися частями.
15. При удалении застрявших обрезков или очистке газонокосилки убедитесь, что все выключатели питания выключены, а аккумуляторный блок отсоединен. Неожиданное включение газонокосилки может привести к тяжелой травме.

## СОХРАНИТЕ ДАННЫЕ ИНСТРУКЦИИ.

**▲ОСТОРОЖНО: НЕ ДОПУСКАЙТЕ**, чтобы удобство или опыт эксплуатации данного устройства (полученный от многократного использования) доминировали над строгим соблюдением правил техники безопасности при обращении с этим устройством.

**НЕПРАВИЛЬНОЕ ИСПОЛЬЗОВАНИЕ** инструмента или несоблюдение правил техники безопасности, указанных в данном руководстве, может привести к тяжелой травме.

## ВАЖНЫЕ ИНСТРУКЦИИ ПО ТЕХНИКЕ БЕЗОПАСНОСТИ

**⚠ ОСТОРОЖНО:** Ознакомьтесь со всеми инструкциями и рекомендациями по технике безопасности. Невыполнение инструкций и рекомендаций может привести к поражению электротоком, пожару и/или тяжелым травмам.

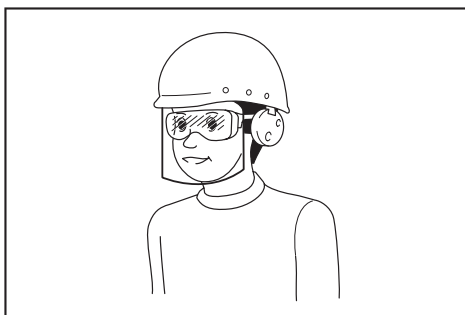
### Сохраните брошюру с инструкциями и рекомендациями для дальнейшего использования.

#### Инструктаж

1. Внимательно прочитайте инструкции. Ознакомьтесь со всеми элементами управления и правилами надлежащей эксплуатации газонокосилки.
2. Не разрешайте детям и лицам, не знакомым с данными инструкциями, пользоваться косилкой. В местном законодательстве могут существовать возрастные ограничения для операторов.
3. Запрещается эксплуатировать газонокосилку, если поблизости находятся люди (в особенности дети) или животные.
4. Помните, что оператор/пользователь несет ответственность за происшествия и опасные ситуации с другими людьми или их собственностью.
5. Следует следить за маленькими детьми, чтобы они не использовали газонокосилку в качестве игрушки.
6. Физическое состояние – не эксплуатируйте газонокосилку, находясь под действием наркотиков, алкоголя или лекарств.

#### Подготовка

1. На время эксплуатации косилки обязательно надевайте прочную обувь и длинные брюки. Не пользуйтесь оборудованном босиком или в открытых сандалиях. Не следует носить галстук, свободную одежду или украшения, а также одежду, украшенную свисающими шнурами. Их может затянуть движущимися деталями.
2. Перед началом работы осматривайте газонокосилку на предмет поврежденных, отсутствующих или неправильно установленных ограждений или экранов.
3. Перед началом работы убедитесь, что поблизости никого нет. Если кто-либо приблизился, выключите газонокосилку.
4. Во время работы с электроинструментом всегда надевайте защитные очки. Очки должны соответствовать ANSI Z87.1 для США, EN 166 для Европы, или AS/NZS 1336 для Австралии и Новой Зеландии. В Австралии и Новой Зеландии оператор также обязан носить защитную маску.



Ответственность за использование средств защиты операторами и другим персоналом вблизи рабочей зоны возлагается на работодателя.

5. Перед эксплуатацией тщательно осмотрите лезвия и болты лезвий и убедитесь в отсутствии трещин или повреждений. Немедленно замените треснувшие или поврежденные лезвия или болты лезвий.
6. Перед началом работы очистите площадку от посторонних предметов (камней, проволоки, бутылок, костей и больших палок), чтобы не допустить травм или повреждения газонокосилки.
7. Предметы, отброшенные лезвием газонокосилки, могут нанести тяжелые травмы. Перед началом работы необходимо тщательно осмотреть газон и очистить его от всех предметов.
8. Осматривайте газон на предмет углублений, колеи, ухабов, камней или других скрытых предметов. Неровности поверхности могут стать причиной поскользывания и падения. Высокая трава может скрывать препятствия.
9. Используйте индивидуальные средства защиты. Всегда надевайте защитные очки. Такие средства индивидуальной защиты, как маска от пыли, защитная нескользящая обувь, каска или наушники, используемые в соответствующих условиях, позволяют снизить риск получения травмы.

#### Выполнение работы

1. Во время работы с устройством не тянитесь. Всегда сохраняйте равновесие. При работе на склонах занимайте устойчивое положение. Передвигайтесь шагом, не бегите.
2. Остановите газонокосилку, выключите машину и убедитесь в том, что все движущиеся части полностью остановились, если:
  - оставляете машину;
  - планируете устранить засоры и удалить предметы, закупорившие желоб;
  - собираетесь проверять, очищать оборудование или выполнять его обслуживание;
  - оборудование ударилось о посторонний предмет. Перед повторным запуском осмотрите машину на предмет повреждений и устраните неисправность;
  - при появлении аномальной вибрации в газонокосилке.

3. Запрещается использовать машину с неисправными ограждениями и экранами или без защитных приспособлений, например дефлекторов или бункера для сбора травы.
  4. Не рекомендуется использовать газонокосилку в неблагоприятных погодных условиях, особенно если существует риск удара молнии.
  5. При эксплуатации газонокосилки обязательно носите средства защиты глаз и прочную обувь.
  6. Используйте устройство только в дневное время или при хорошем искусственном освещении.
  7. Осторожно включайте газонокосилку в соответствии с инструкциями, ноги при этом должны находиться как можно дальше от лезвия.
  8. Соблюдайте меры безопасности во избежание травмирования ног и рук лезвием газонокосилки.
  9. Следите за тем, чтобы вентиляционные отверстия не были засорены.
  10. Выполняйте стрижку газонов поперек склона, а не вниз-вверх. Соблюдайте особую осторожность, меняя направление движения на склонах. Не выполняйте стрижку чересчур крутых склонов.
  11. Соблюдайте особую осторожность, перемещая газонокосилку задним ходом или подтягивая ее к себе.
  12. Обязательно остановите лезвие(я), если машину необходимо наклонить для транспортировки по поверхности, отличной от травы, либо при транспортировке машины к месту эксплуатации и обратно.
  13. Не наклоняйте газонокосилку при включении двигателя, кроме случаев, когда ее необходимо наклонять для пуска. В этом случае наклоняйте ее на минимально необходимый угол и поднимайте только дальнюю от оператора часть. При опускании газонокосилки на землю всегда крепко держите рукоятку обеими руками.
  14. Не помещайте руки или ноги под вращающиеся детали или вблизи них. Никогда не становитесь перед разгрузочным отверстием.
  15. Не транспортируйте включенную газонокосилку.
  16. Не рекомендуется использовать машину на мокрой траве.
  17. Постоянно надежно удерживайте рукоятку.
  18. Поднимая или удерживая косилку, не беритесь за оголенные ножи или режущие крошки.
  19. Не приближайте руки и ноги к вращающимся ножам. Внимание - лезвия продолжают вращаться после отключения газонокосилки.
  20. Немедленно прекратите выполнение операции, если заметите отклонения в работе. Выключите газонокосилку. Затем осмотрите газонокосилку.
  21. Запрещается регулировать высоту скашивания во время движения газонокосилки (если газонокосилка позволяет регулировать высоту скашивания).
  22. Отпустите рычаг переключателя и дождитесь остановки лезвия, прежде чем переходить улицы, пешеходные дорожки, дороги и любые участки с гравийным покрытием. Кроме того, выключайте машину, если выпускаете газонокосилку из рук, нагибаетесь, чтобы подобрать или убрать что-либо с дороги, или по любой другой причине, которая может отвлечь от работы.
  23. Если газонокосилка ударилась о посторонний предмет, выполните следующие:
    - выключите газонокосилку, отпустите рычажный выключатель и дождитесь полной остановки лезвия;
    - снимите блок аккумулятора.
    - внимательно осмотрите газонокосилку на предмет повреждений;
    - замените лезвие, если оно повреждено.
 Устраните повреждения, прежде чем перезапускать газонокосилку и возобновлять работу.
  24. Не включайте двигатель, стоя перед разгрузочным отверстием.
  25. Если начинается непредусмотренная вибрация машины (немедленно проверьте)
    - осмотрите на предмет повреждений;
    - замените или отремонтируйте поврежденные детали;
    - проверьте на предмет ослабленных деталей и подтяните их.
  26. Не направляйте поток срезанного материала на людей. Не направляйте поток срезанного материала на стену или какой-либо предмет. Срезанный материал может отскочить в сторону оператора. Остановите лезвия на время транспортировки по поверхности из гравия.
  27. Не тяните газонокосилку назад без крайней необходимости. Если необходимо отвести косилку от забора или другого аналогичного препятствия, смотрите назад себе под ноги до начала движения, а также во время движения задним ходом.
  28. Прежде чем снимать травосборник, отключите двигатель и подождите, пока лезвие полностью остановится. Имейте в виду, что лезвия продолжают вращаться после отключения.
  29. При использовании устройства в грязи, на влажном склоне или на скользкой поверхности будьте осторожны, чтобы не поскользнуться.
  30. Не допускайте погружения устройства в лужи.
  31. При работе с машиной следите за тем, чтобы не допустить контакта с трубопроводом или проводами.
- Техническое обслуживание и хранение**
1. Чтобы обеспечить безопасность, заменяйте изношенные и поврежденные детали. Используйте только оригинальные сменные части и приспособления.

2. Регулярно осматривайте и выполняйте техническое обслуживание газонокосилки.
  3. Когда газонокосилка не используется, храните ее в недоступном для детей месте.
  4. Все гайки, болты и винты должны быть надежно затянуты — это обеспечит безопасность и работоспособность.
  5. Чаще проверяйте корзину для травы на предмет износа или повреждений. Помещая устройство на хранение, обязательно очистите корзину для травы. Для обеспечения безопасности замените изношенную корзину для травы на новую.
  6. Пользуйтесь только оригинальными лезвиями производителя, указанными в данном руководстве.
  7. Соблюдайте осторожность при регулировке газонокосилки, чтобы не допустить защемления пальцев между движущимися лезвиями и неподвижными деталями машины.
  8. Чаще проверяйте надежность затяжки болта крепления лезвия.
  9. Перед постановкой на хранение дайте косилке остыть.
  10. При обслуживании лезвий следует помнить, что лезвия могут двигаться даже при отключенном питании.
  11. Не удаляйте предохранительные устройства и не вносите изменения в их конструкцию. Регулярно проверяйте правильность их работы. Не предпринимайте никаких действий, которые могут повлиять на функционирование предохранительного устройства или снизить степень защиты, обеспечиваемой предохранительным устройством.
  12. Не оставляйте устройство без присмотра под открытым небом в дождь.
  13. Не храните устройство в помещениях с высокой влажностью или температурой, на солнце или под дождем.
4. При неправильном обращении из аккумуляторного блока может потечь жидкость. Избегайте контакта с ней. В случае контакта с кожей промойте место контакта обильным количеством воды. В случае попадания в глаза обратитесь к врачу. Жидкость из аккумулятора может вызвать раздражение или ожоги.
  5. Не используйте поврежденные или модифицированные инструменты и аккумуляторные блоки. Поврежденные или модифицированные аккумуляторы могут работать некорректно, что может привести к пожару, взрыву или травмированию.
  6. Не подвергайте аккумуляторный блок или инструмент воздействию огня или высокой температуры. Воздействие огня или температуры выше 130 °C может привести к взрыву.
  7. Следуйте всем инструкциям по зарядке и не заряжайте аккумуляторный блок или инструмент при температурных условиях, выходящих за пределы диапазона, указанного в инструкции. Зарядка ненадлежащим образом или при температурных условиях, выходящих за пределы указанного диапазона, может привести к повреждению батареи и повысить риск пожара.

#### Электробезопасность

Эксплуатация и обслуживание электроинструмента, работающего на аккумуляторах

1. Заряжайте аккумулятор только зарядным устройством, указанным изготовителем. Зарядное устройство, подходящее для одного типа аккумуляторов, может привести к пожару при его использовании с другим аккумуляторным блоком.
2. Используйте электроинструмент только с указанными аккумуляторными блоками. Использование других аккумуляторных блоков может привести к травме или пожару.
3. Когда аккумуляторный блок не используется, храните его отдельно от металлических предметов, таких как скрепки, монеты, ключи, гвозди, шурупы или другие небольшие металлические предметы, которые могут привести к закорачиванию контактов аккумуляторного блока между собой. Короткое замыкание между контактами аккумуляторного блока может привести к ожогам или пожару.
1. Не бросайте аккумуляторные блоки в огонь. Они могут взорваться. Уточните местные правила утилизации аккумуляторов.
2. Не вскрывайте и не разбивайте аккумуляторы. Содержащийся в них электролит очень едкий, вы можете повредить глаза или кожу. При проглатывании это вещество может вызвать отравление.
3. Не заряжайте аккумулятор под дождем или в местах с повышенной влажностью.
4. Не заряжайте аккумулятор на улице.
5. Не касайтесь зарядного устройства, а также штекера и контактов зарядного устройства влажными руками.
6. Запрещается заменять аккумулятор под дождем.
7. Избегайте смачивания клемм аккумулятора жидкостью, например водой, и не допускайте погружения аккумулятора в жидкость. Запрещается оставлять аккумулятор под дождем, заряжать, использовать или хранить аккумулятор в местах с повышенной влажностью. Мокрые клеммы или попадание жидкости внутрь аккумулятора могут привести к короткому замыканию аккумулятора, его перегреву, возгоранию или взрыву.
8. После извлечения аккумулятора из газонокосилки или зарядного устройства обязательно присоедините к аккумулятору крышку отсека аккумулятора и оставьте его в сухом месте.
9. Запрещается выполнять замену аккумулятора мокрыми руками.
10. Избегайте опасных сред. Не используйте машину в местах с повышенной влажностью и под дождем. Попавшая в машину вода повышает опасность поражения электрическим током.

11. В случае попадания воды на блок аккумулятора вылейте воду из блока и протрите его сухой тканью. Прежде чем использовать блок аккумулятора, дайте ему полностью высохнуть в сухом месте.

#### Сервисное обслуживание

1. Сервисное обслуживание электроинструмента должно проводиться только квалифицированным специалистом по ремонту и только с использованием идентичных запасных частей. Это позволит обеспечить безопасность электроинструмента.
2. Запрещается обслуживать поврежденные аккумуляторные блоки. Обслуживание аккумуляторных блоков должен осуществлять только производитель или авторизованные поставщики услуг.

## СОХРАНИТЕ ДАННЫЕ ИНСТРУКЦИИ.

**▲ ОСТОРОЖНО:** НЕ ДОПУСКАЙТЕ, чтобы удобство или опыт эксплуатации данного устройства (полученный от многократного использования) доминировали над строгим соблюдением правил техники безопасности при обращении с этим устройством.

**НЕПРАВИЛЬНОЕ ИСПОЛЬЗОВАНИЕ** инструмента или несоблюдение правил техники безопасности, указанных в данном руководстве, может привести к тяжелой травме.

### Важные правила техники безопасности для работы с аккумуляторным блоком

1. Перед использованием аккумуляторного блока прочитайте все инструкции и предупреждающие надписи на (1) зарядном устройстве, (2) аккумуляторном блоке и (3) инструменте, работающем от аккумуляторного блока.
2. Не разбирайте блок аккумулятора и не меняйте его конструкцию. Это может привести к пожару, перегреву или взрыву.
3. Если время работы аккумуляторного блока значительно сократилось, немедленно прекратите работу. В противном случае, может возникнуть перегрев блока, что приведет к ожогам и даже к взрыву.
4. В случае попадания электролита в глаза промойте их обильным количеством чистой воды и немедленно обратитесь к врачу. Это может привести к потере зрения.
5. Не замыкайте контакты аккумуляторного блока между собой:
  - (1) Не прикасайтесь к контактам какими-либо токопроводящими предметами.
  - (2) Не храните аккумуляторный блок в контейнере вместе с другими металлическими предметами, такими как гвозди, монеты и т. п.
  - (3) Не допускайте попадания на аккумуляторный блок воды или дождя.

Замыкание контактов аккумуляторного блока между собой может привести к возникновению большого тока, перегреву, возможному ожогу и даже поломке блока.

6. Не храните и не используйте инструмент и аккумуляторный блок в местах, где температура может достигать или превышать 50 °C (122 °F).
7. Не бросайте аккумуляторный блок в огонь, даже если он сильно поврежден или полностью вышел из строя. Аккумуляторный блок может взорваться под действием огня.
8. Запрещено вбивать гвозди в блок аккумулятора, резать, ломать, бросать, ронять блок аккумулятора или ударять его твердым предметом. Это может привести к пожару, перегреву или взрыву.
9. Не используйте поврежденный аккумуляторный блок.
10. Входящие в комплект литий-ионные аккумуляторы должны эксплуатироваться в соответствии с требованиями законодательства об опасных товарах.

При коммерческой транспортировке, например, третьей стороной или экспедитором, необходимо нанести на упаковку специальные предупреждения и маркировку.

В процессе подготовки устройства к отправке обязательно проконсультируйтесь со специалистом по опасным материалам. Также соблюдайте местные требования и нормы. Они могут быть строже.

Закройте или закрепите разомкнутые контакты и упакуйте аккумулятор так, чтобы он не перемещался по упаковке.
11. Для утилизации блока аккумулятора извлеките его из инструмента и утилизируйте безопасным способом. Выполняйте требования местного законодательства по утилизации аккумуляторного блока.
12. Используйте аккумуляторы только с продукцией, указанной Makita. Установа аккумулятора на продукцию, не соответствующую требованиям, может привести к пожару, перегреву, взрыву или утечке электролита.
13. Если инструментом не будут пользоваться в течение длительного периода времени, извлеките аккумулятор из инструмента.
14. Во время и после использования блок аккумулятора может нагреваться, что может стать причиной ожогов или низкотемпературных ожогов. Будьте осторожны при обращении с горячим блоком аккумулятора.
15. Не прикасайтесь к контактам инструмента сразу после использования, поскольку они могут быть достаточно горячими, чтобы вызвать ожоги.
16. Не допускайте налипания на контакты, отверстия и пазы блока аккумулятора опилок, пыли или земли. Это может стать причиной перегрева, возгорания, взрыва или неисправности инструмента или блока аккумулятора, что может привести к ожогам или травмам.

17. Если инструмент не рассчитан на использование вблизи высоковольтных линий электропередач, не используйте блок аккумулятора вблизи высоковольтных линий электропередач. Это может привести к неисправности, поломке инструмента или блока аккумулятора.
18. Храните аккумулятор в недоступном для детей месте.

## СОХРАНИТЕ ДАННЫЕ ИНСТРУКЦИИ.

**ВНИМАНИЕ:** Используйте только фирменные аккумуляторные батареи Makita. Использование аккумуляторных батарей, не произведенных Makita, или батарей, которые были подвергнуты модификациям, может привести к взрыву аккумулятора, пожару, травмам и повреждению имущества. Это также автоматически аннулирует гарантию Makita на инструмент и зарядное устройство Makita.

## Советы по обеспечению максимального срока службы аккумулятора

1. Заряжайте блок аккумуляторов перед его полной разрядкой. Обязательно прекратите работу с инструментом и зарядите блок аккумуляторов, если вы заметили снижение мощности инструмента.
2. Никогда не подзаряжайте полностью заряженный блок аккумуляторов. Перезарядка сокращает срок службы аккумулятора.
3. Заряжайте блок аккумуляторов при комнатной температуре в 10 - 40 °C (50 - 104 °F). Перед зарядкой горячего блока аккумулятора дайте ему остыть.
4. Если блок аккумулятора не используется, извлеките его из инструмента или зарядного устройства.
5. Зарядите ионно-литиевый аккумуляторный блок, если вы не будете пользоваться инструментом длительное время (более шести месяцев).

## СБОРКА

**ОСТОРОЖНО:** Перед выполнением каких-либо операций с машиной обязательно убедитесь в том, что блок аккумулятора извлечен. Несоблюдение правил извлечения блока аккумулятора может привести к тяжелой травме в результате случайного запуска.

**ОСТОРОЖНО:** Не запускайте частично собранную газонокосилку. Использование машины в частично собранном виде может стать причиной тяжелой травмы в результате случайного пуска.

## Установка крышки аккумулятора

**ОСТОРОЖНО:** Не вставляйте блок аккумулятора до установки крышки аккумуляторного отсека. Несоблюдение этого требования может привести к серьезной травме.

Перед эксплуатацией инструмента полностью установите крышку аккумулятора. Крышка аккумулятора защищает газонокосилку и блок аккумулятора от грязи, пыли и воды.

1. Расположите крышку аккумулятора таким образом, чтобы выступы на косилке совместились с отверстиями в крышке.
  - **Рис. 1:** 1. Выступ 2. Отверстие 3. Крышка аккумуляторной батареи
2. Нажмите руками на середину крышки аккумулятора.
  - **Рис. 2**
3. Убедитесь в том, что крышка аккумуляторного отсека надежно закреплена и прочно заблокирована со стопорным рычагом.
  - **Рис. 3:** 1. Стопорный рычаг

## Установка рукоятки

**ВНИМАНИЕ:** Устанавливайте рукоятки надежно.

**ПРИМЕЧАНИЕ:** При установке рукояток расположите провод так, чтобы он не защемлялся между рукоятками. Если шнур поврежден, то выключатель косилки может не работать.

1. Поместите оба конца нижней рукоятки в пазы корпуса косилки, а затем затяните зажимные рычаги и сложите их.
  - **Рис. 4:** 1. Зажимной рычаг 2. Нижняя рукоятка

При затяжке зажимных рычагов затягивайте их до тех пор, пока кольца на рычагах не исчезнут из виду.
 

- **Рис. 5:** 1. Кольцо

**ПРИМЕЧАНИЕ:** После складывания рычагов убедитесь в отсутствии зазора между нижней рукояткой и корпусом косилки.
 

- **Рис. 6**



2. Совместите отверстие в верхней рукоятке с отверстием в нижней рукоятке, а затем вставьте болт снаружи и затяните накатную гайку изнутри. Выполните ту же процедуру с другой стороны.

► **Рис.7:** 1. Накатная гайка 2. Болт

**ПРИМЕЧАНИЕ:** Удерживайте верхнюю рукоятку ровно, чтобы она не выскальзывала из вашей руки.

## Удаление вставки для мульчирования

1. Откройте заднюю крышку.  
► **Рис.8:** 1. Задняя крышка
2. Удерживайте вставку для мульчирования за рукоятку и извлеките ее из корпуса газонокосилки, как показано на рисунке.  
► **Рис.9:** 1. Рукоятка 2. Вставка для мульчирования

## Установка или удаление корзины для травы

Установка корзины для травы выполняется по указанной далее процедуре.

1. Откройте заднюю крышку.  
► **Рис.10:** 1. Задняя крышка
2. Удерживая рукоятку корзины для травы, зацепите корзину для травы за стержень корпуса газонокосилки, как показано на рисунке.  
► **Рис.11:** 1. Стержень 2. Рукоятка 3. Корзина для травы

Для снятия корзины для травы откройте заднюю крышку и извлеките корзину для травы, удерживая рукоятку.

## Установка вставки для мульчирования

1. Откройте заднюю крышку и снимите корзину для травы.  
► **Рис.12:** 1. Задняя крышка 2. Корзина для травы
2. Удерживайте вставку для мульчирования за рукоятку и вставьте ее в корпус косилки, протолкнув до упора, как показано на рисунке.  
► **Рис.13:** 1. Рукоятка 2. Вставка для мульчирования

## ОПИСАНИЕ РАБОТЫ

**⚠ВНИМАНИЕ:** Перед регулировкой или проверкой функционирования машины обязательно выключите ее и снимите блок аккумулятора.

## Установка или снятие блока аккумуляторов

**⚠ВНИМАНИЕ:** Перед установкой и извлечением блока аккумулятора выключайте машину.

**⚠ВНИМАНИЕ:** При установке и извлечении блока аккумулятора крепко удерживайте машину и блок аккумулятора. Если не удерживать машину и блок аккумулятора крепко, они могут выскользнуть из рук, что приведет к повреждению машины и блока аккумулятора, а также травмированию оператора.

**⚠ВНИМАНИЕ:** Перед использованием убедитесь, что заперли крышку блока аккумулятора. В противном случае грязь, мусор или вода могут повредить изделие или блок аккумулятора.

**⚠ВНИМАНИЕ:** Обязательно устанавливайте блок аккумулятора до конца, чтобы красный индикатор не был виден. В противном случае блок может выпасть из машины и нанести травму вам или другим людям.

**⚠ВНИМАНИЕ:** Не прилагайте чрезмерных усилий при установке блока аккумулятора. Если блок не двигается свободно, значит он вставлен неправильно.

**⚠ВНИМАНИЕ:** При установке и извлечении блока аккумулятора крепко удерживайте крышку аккумуляторного отсека.

Чтобы установить блок аккумулятора:

1. Потяните вверх стопорный рычаг и откройте крышку отсека аккумулятора.  
► **Рис.14:** 1. Крышка аккумуляторной батареи 2. Стопорный рычаг
2. Совместите язычок на блоке аккумулятора с канавкой на газонокосилке, затем вставьте блок до щелчка.  
► **Рис.15:** 1. Блок аккумулятора
3. Плотно закройте крышку аккумуляторного отсека.

Чтобы извлечь блок аккумулятора из газонокосилки:

1. Потяните вверх стопорный рычаг и откройте крышку аккумуляторного отсека.
2. Потяните блок аккумулятора, удерживая нажатой кнопку на лицевой стороне, и извлеките блок.
3. Закройте крышку аккумулятора.



## Система защиты машины / аккумулятора

На машине предусмотрена система защиты машины / аккумулятора. Эта система автоматически отключает питание двигателя для продления срока службы машины и аккумулятора. Машина автоматически отключится в указанных далее случаях, влияющих на работу самой машины или аккумулятора.

### Защита от перегрузки

Если из-за способа эксплуатации устройство/аккумулятор потребляет аномально высокий ток, устройство автоматически выключится, а индикатор загорается красным. В этом случае отключите устройство и прекратите работу, из-за которой произошла перегрузка. Затем включите устройство для перезапуска.

### Защита от перегрева

В случае перегрева машина останавливается автоматически, а индикатор загорается красным. Дайте ей остыть перед повторным включением.

### Защита от переразрядки

При истощении заряда аккумулятора машина останавливается автоматически, а индикатор загорается красным. Если машина не работает даже после нажатия переключателей, снимите аккумулятор с машины и зарядите его.

### Защита от других неполадок

Система защиты также обеспечивает защиту от других неполадок, способных повредить машину, и обеспечивает автоматическую остановку машины. В случае временной остановки или прекращения работы машины выполните все перечисленные ниже действия для устранения причины остановки.

1. Выключите и снова включите машину для ее перезапуска.
2. Зарядите аккумулятор(-ы) или замените его(их) заряженным(-и).
3. Дайте машине и аккумулятору(-ам) остыть.

Если после возврата системы защиты в исходное состояние ситуация не изменится, обратитесь в сервисный центр Makita.

**ПРИМЕЧАНИЕ:** Если машина останавливается по причине, не описанной выше, см. раздел, касающийся поиска и устранения неисправностей.

**ПРИМЕЧАНИЕ:** Время, через которое загорается индикатор, зависит от температуры на рабочем месте и состояния блока аккумулятора.

## Индикация оставшегося заряда аккумулятора

► Рис.16: 1. Индикатор

При низком заряде аккумулятора индикатор мигает красным. При дальнейшем использовании машина останавливается, а индикатор загорается красным. В этом случае следует зарядить блок аккумулятора.

## Индикация оставшегося заряда аккумулятора

Нажмите кнопку проверки на аккумуляторном блоке для проверки заряда. Индикаторы загорятся на несколько секунд.

► Рис.17: 1. Индикаторы 2. Кнопка проверки

Индикаторы			Уровень заряда
Горит	Выкл.	Мигает	
■ ■ ■ ■			от 75 до 100%
■ ■ ■ □			от 50 до 75%
■ ■ □ □			от 25 до 50%
■ □ □ □			от 0 до 25%
▧ □ □ □			Зарядите аккумуляторную батарею.
■ ■ □ □ □ □ ■ ■		↑ ↓	Возможно, аккумуляторная батарея неисправна.

**ПРИМЕЧАНИЕ:** В зависимости от условий эксплуатации и температуры окружающего воздуха индикация может незначительно отличаться от фактического значения.

**ПРИМЕЧАНИЕ:** Первая (дальняя левая) индикаторная лампа будет мигать во время работы защитной системы аккумулятора.

## Действие выключателя

**⚠ОСТОРОЖНО:** Перед установкой блока аккумулятора обязательно убедитесь в том, что рычажный выключатель работает правильно и возвращается в исходное положение после отпускания. Эксплуатация машины с неисправным переключателем может привести к потере контроля над ней и получению тяжелой травмы.

**ПРИМЕЧАНИЕ:** Если не нажать кнопку включения, газонокосилка не запустится, даже если потянуть рычажный выключатель.

**ПРИМЕЧАНИЕ:** Газонокосилка может не запуститься по причине перегрузки, если вы косите высокую или густую траву. В таком случае увеличьте высоту стрижки.

Данная машина оснащена кнопкой включения. Заметив какие-либо отклонения в работе кнопки включения, немедленно прекратите работу и проверьте ее в ближайшем авторизованном сервисном центре Makita.

1. Установите блок аккумулятора, а затем плотно закройте крышку аккумуляторного отсека.

2. Потяните рычаг переключателя к себе, удерживая нажатой кнопку включения. Сразу после запуска двигателя отпустите кнопку включения.

► **Рис.18:** 1. Кнопка включения 2. Рычаг переключателя

3. Для выключения двигателя отпустите рычажный выключатель.

## Регулировка высоты стрижки

**⚠ ОСТОРОЖНО:** При регулировке высоты стрижки не подсовывайте руку или ногу под газонокосилку.

**⚠ ОСТОРОЖНО:** Перед началом работы обязательно проверяйте, что рычаг хорошо входит в паз.

Высоту скашивания можно регулировать в диапазоне от 20 мм до 75 мм.

Выключите машину, потяните рычаг регулировки высоты скашивания наружу относительно корпуса газонокосилки и переместите его в положение, соответствующее желаемой высоте скашивания.

► **Рис.19:** 1. Рычаг регулировки высоты скашивания

В таблице ниже показано соотношение цифр на корпусе газонокосилки и приблизительной высоты скашивания.

Цифра	Высота скашивания
1	20 мм
2	29 мм
3	36 мм
4	44 мм
5	53 мм
6	61 мм
7	69 мм
8	75 мм

**ПРИМЕЧАНИЕ:** Значения высоты стрижки приведены только для справки. В зависимости от состояния газона и почвы конечная высота скошенной травы может незначительно отличаться от заданной.

**ПРИМЕЧАНИЕ:** Чтобы добиться желаемой высоты, выполните пробное скашивание на не слишком заметном участке газона.

## Индикатор уровня травы

► **Рис.20:** 1. Индикатор уровня травы

Индикатор уровня травы показывает объем скошенной травы.

- Если корзина для травы не заполнена до верха, индикатор во время работы плавает.
- Если корзина для травы заполнена, индикатор во время работы неподвижен. В этом случае немедленно прекратите скашивание и опорожните корзину. Опорожнив корзину, очистите ее, чтобы воздух легко проходил через сетку.

**ПРИМЕЧАНИЕ:** Данный индикатор показывает приблизительный объем. В зависимости от условий внутри корзины индикатор может работать с ошибками.

## Регулировка высоты рукоятки

**⚠ ВНИМАНИЕ:** Прежде чем удалить болты, крепко возьмитесь за верхнюю рукоятку. Несоблюдение данного требования может привести к получению травм при падении рукоятки.

Рукоятка имеет двухступенчатую регулировку высоты.

1. Ослабьте накатные гайки рукоятки и удалите болты и накатные гайки.

► **Рис.21:** 1. Накатная гайка

2. Отрегулируйте высоту рукоятки.

3. Вставьте болты снаружи, затем наденьте шайбы снаружи и затяните накатные гайки.

## Использование вставки для мульчирования

Вставка для мульчирования позволяет сбрасывать измельченную траву обратно на газон без сбора в корзину для травы. При работе с машиной, на которой установлена вставка для мульчирования, снимите корзину для травы.

**ПРИМЕЧАНИЕ:** При использовании машины со вставкой для мульчирования убедитесь в том, что общая длина травы после срезания составляет не менее 30 мм, а длина среза – не более 15 мм.

► **Рис.22:** (1) 30 мм или больше (2) 15 мм или меньше

# ЭКСПЛУАТАЦИЯ

## Скашивание

**▲ ОСТОРОЖНО:** Перед скашиванием убери-те с газона ветки и камни. Кроме того, забла-говременно очистите газон от сорняков.

**▲ ОСТОРОЖНО:** При использовании газо-нокосилки обязательно надевайте защитные очки с боковыми щитками.

**▲ ВНИМАНИЕ:** Если внутри корпуса газо-нокосилки набилась скошенная трава или посторонние предметы, то перед извлече-нием травы или посторонних предметов обязательно снимите блоки аккумуляторов и наденьте перчатки.

**ПРИМЕЧАНИЕ:** Используйте машину только для стрижки газонов. Не используйте ее для скашивания сорняков.

### ► Рис.23

Во время работы крепко удерживайте рукоятку обеими руками.

Рекомендованная скорость скашивания должна составлять приблизительно 2-4 секунды на 1 метр.

### ► Рис.24

**ПРИМЕЧАНИЕ:** При стрижке газона с высокой или плотной травой, если после скашивания трава выглядит неровной плохо скошенной либо в про-цессе скашивания наблюдается падение оборотов двигателя ниже уровня, рекомендуемого в настоя-щем руководстве, то следует уменьшить скорость или увеличить высоту скашивания.

Центральные линии на передних колесах показы-вают ширину полосы скашивания. Используйте их в качестве направляющих, косите полосами. Чтобы равномерно подстричь газон, захватывайте поло-вину или третью часть предыдущей полосы.

► Рис.25: 1. Ширина скашивания 2. Зона захвата 3. Центральная линия

Каждый раз меняйте направление движения, чтобы избежать пригибания травы в одном направлении.

### ► Рис.26

Периодически проверяйте степень заполнения кор-зины для травы. Опорожняйте корзину до ее запол-нения. Перед каждой периодической проверкой обязательно останавливайте и выключайте машину.

**ПРИМЕЧАНИЕ:** Эксплуатация газонокосилки с заполненной корзиной для травы мешает плавному вращению лезвия и оказывает дополнительную нагрузку на двигатель, что может привести к поломке.

## Скашивание высокой травы

Не старайтесь скосить длинную траву за один про-ход. Вместо этого выполняйте работу в несколько этапов. Скашивайте газон с интервалом в один или два дня до тех пор, пока он не станет ровным.

**ПРИМЕЧАНИЕ:** Скашивание высокой травы за один проход может стать причиной ее засыхания. Скошенная трава также может застрять в корпусе косилки.

## Опорожнение корзины для травы

**▲ ОСТОРОЖНО:** Чтобы снизить риск несчастного случая, регулярно проверяйте корзину для травы на предмет повреждений и потери прочности. При необходимости заме-ните ее.

1. Отпустите рычажный выключатель.
  2. Снимите блок аккумулятора.
  3. Откройте заднюю крышку и извлеките корзину для травы за специальную рукоятку.
- Рис.27: 1. Задняя крышка 2. Ручка
4. Опорожните корзину для травы.

## ОБСЛУЖИВАНИЕ

**▲ ОСТОРОЖНО:** Перед помещением на хра-нение, переноской, осмотром или техническим обслуживанием машины обязательно выни-майте блок аккумулятора.

**▲ ОСТОРОЖНО:** При осмотре и обслужива-нии надевайте защитные перчатки.

**▲ ОСТОРОЖНО:** При осмотре и техниче-ском обслуживании газонокосилки обяза-тельно надевайте защитные очки с боковыми щитками.

**ПРИМЕЧАНИЕ:** Запрещается использовать бензин, растворители, спирт и другие подоб-ные жидкости. Это может привести к обесце-чиванию, деформации и трещинам.

Для обеспечения БЕЗОПАСНОСТИ и НАДЕЖНОСТИ оборудования ремонт, любое другое техобслуживание или регулировку необходимо про-изводить в уполномоченных сервис-центрах Makita или сервис-центрах предприятия с использованием только сменных частей производства Makita.

## Обслуживание

1. Выньте блок аккумулятора и закройте крышку аккумуляторного отсека.
2. Положите газонокосилку на бок. Удалите обрезки травы с днища газонокосилки.
3. Вода должна стекать к нижней части устройства, где крепится лезвие.

**ПРИМЕЧАНИЕ:** Запрещается мыть устройство струей воды с высоким напором.

4. Проверьте надежность затяжки всех гаек, болтов, винтов и т. п.
5. Осмотрите подвижные части на предмет повреждений, поломок и износа. Необходимо отремонтировать или заменить поврежденные компоненты.
6. Храните газонокосилку в безопасном месте, недоступном для детей.

## Хранение

**ВНИМАНИЕ:** При установке машины в вертикальное положение ее следует разместить на ровной и устойчивой поверхности. Если поставить машину на неустойчивую поверхность, она может опрокинуться и нанести травмы.

Храните газонокосилку в помещении, в сухом, прохладном, запираемом месте. Не храните газонокосилку и зарядное устройство в местах, где температура может подниматься до 40 °C и выше.

1. Снимите блок аккумулятора.
2. Снимите корзину для травы.
3. Разложите зажимные рычаги, а затем сложите рукоятку и сложите зажимные рычаги.  
► **Рис.28:** 1. Зажимной рычаг
4. Ослабьте накатные гайки рукоятки, а затем сложите верхнюю рукоятку.  
► **Рис.29:** 1. Накатная гайка 2. Верхняя рукоятка
5. Установите машину в вертикальное положение.

**ПРИМЕЧАНИЕ:** При установке косилки в вертикальное положение не пытайтесь удерживать ее только за рукоятку; придерживайте корпус косилки и рукоятку.

6. Храните корзину для травы между рукояткой и корпусом газонокосилки.  
► **Рис.30:** 1. Корзина для травы

## Переноска газонокосилки

**ВНИМАНИЕ:** Прежде чем переносить газонокосилку, обязательно снимите блок аккумулятора.

При переноске косилки удерживайте ее за заднюю рукоятку и расположенный в передней части машины участок для удержания снизу, как показано на рисунке.

- **Рис.31:** 1. Участок для удержания снизу  
2. Задняя рукоятка

## Снятие или установка лезвия косилки

**ОСТОРОЖНО:** При снятии или установке лезвия обязательно вынимайте блок аккумулятора. Невыполнение требования об извлечении блока аккумулятора может привести к тяжелой травме.

**ОСТОРОЖНО:** После отпущания выключателя лезвие продолжает вращаться по инерции в течение нескольких секунд. Не приступайте к выполнению каких-либо операций, пока лезвие полностью не остановится.

**ОСТОРОЖНО:** При работе с лезвием обязательно надевайте защитные перчатки.

## Снятие лезвия газонокосилки

1. Положите косилку на бок, чтобы рычаг регулировки высоты скашивания оказался сверху.

2. Для блокировки вращения лезвия вставьте острый предмет или инструмент типа отвертки в отверстие на корпусе газонокосилки.

3. Поверните болт гаечным ключом против часовой стрелки.

► **Рис.32:** 1. Лезвие газонокосилки 2. Гаечный ключ 3. Отвертка 4. Отверстие

4. Последовательно извлеките болт и лезвие газонокосилки.

► **Рис.33:** 1. Опора лезвия 2. Лезвие газонокосилки 3. Болт

## Установка лезвия газонокосилки

Установка лезвия газонокосилки выполняется в порядке, обратном процедуре снятия.

**ОСТОРОЖНО:** Осторожно установите лезвие газонокосилки. Лезвие имеет верхнюю и нижнюю сторону.

**ОСТОРОЖНО:** Надежно затяните болт по часовой стрелке, чтобы зафиксировать лезвие.

**ОСТОРОЖНО:** Убедитесь в том, что лезвие газонокосилки и все крепежные детали установлены правильно и надежно затянуты.

**ОСТОРОЖНО:** При замене лезвий всегда следуйте инструкциям, приведенным в руководстве по эксплуатации.

# ПОИСК И УСТРАНЕНИЕ НЕИСПРАВНОСТЕЙ

Прежде чем обращаться по поводу ремонта, проведите осмотр самостоятельно. Если обнаружена неисправность, не указанная в руководстве, не пытайтесь разобрать инструмент. Обратитесь в один из авторизованных сервисных центров Makita, в которых для ремонта используются только оригинальные детали Makita.

Состояние неисправности	Возможная причина (неисправности)	Способ устранения
Газонокосилка не запускается.	Блок аккумулятора не установлен.	Установите заряженный блок аккумулятора.
	Неисправен аккумулятор (под напряжением)	Зарядите блок аккумулятора. Если перезарядка не помогает, замените блок аккумулятора.
После непродолжительного использования двигатель останавливается.	Низкий уровень заряда аккумулятора.	Зарядите блок аккумулятора. Если перезарядка не помогает, замените блок аккумулятора.
	Установлена слишком малая высота срезания.	Увеличьте высоту срезания.
Двигатель не достигает максимальной частоты вращения.	Неправильно установлен блок аккумулятора.	Вставьте блок аккумулятора, как описано в этом руководстве.
	Заряд аккумулятора падает.	Зарядите блок аккумулятора. Если перезарядка не помогает, замените блок аккумулятора.
	Привод работает неправильно.	Обратитесь в местный авторизованный центр для ремонта.
Лезвие газонокосилки не вращается: ⇒ немедленно выключите косилку!	Посторонний объект (например, ветка) застрял у лезвия.	Удалите посторонний предмет.
	Привод работает неправильно.	Обратитесь в местный авторизованный центр для ремонта.
Сильная вибрация: ⇒ немедленно выключите косилку!	Лезвие разбалансировано, изношено слишком сильно или неравномерно.	Замените лезвие.

## ДОПОЛНИТЕЛЬНЫЕ ПРИНАДЛЕЖНОСТИ

**⚠ ВНИМАНИЕ:** Эти принадлежности или насадки рекомендованы для использования с машиной Makita, указанной в этом руководстве. Использование других принадлежностей или насадок может привести к травме. Используйте принадлежность или насадку только по назначению.

Если вам необходимо содействие в получении дополнительной информации по этим принадлежностям, свяжитесь с вашим сервис-центром Makita.

- Лезвие газонокосилки
- Оригинальный аккумулятор и зарядное устройство Makita

**ПРИМЕЧАНИЕ:** Некоторые элементы из списка могут входить в комплект машины в качестве стандартных принадлежностей. Они могут различаться в зависимости от страны.

# Makita Europe N.V.

Jan-Baptist Vinkstraat 2, 3070 Kortenberg, Belgium

# Makita Corporation

3-11-8, Sumiyoshi-cho, Anjo, Aichi 446-8502 Japan

[www.makita.com](http://www.makita.com)



885A44-980  
EN, SV, NO, FI, DA,  
LV, LT, ET, RU  
20230711