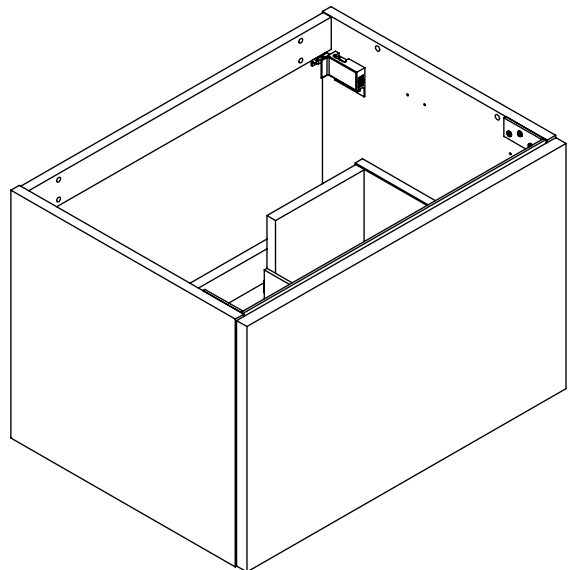
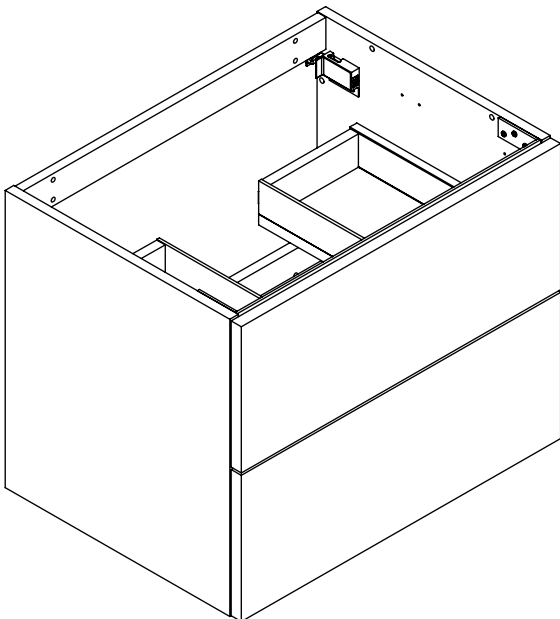
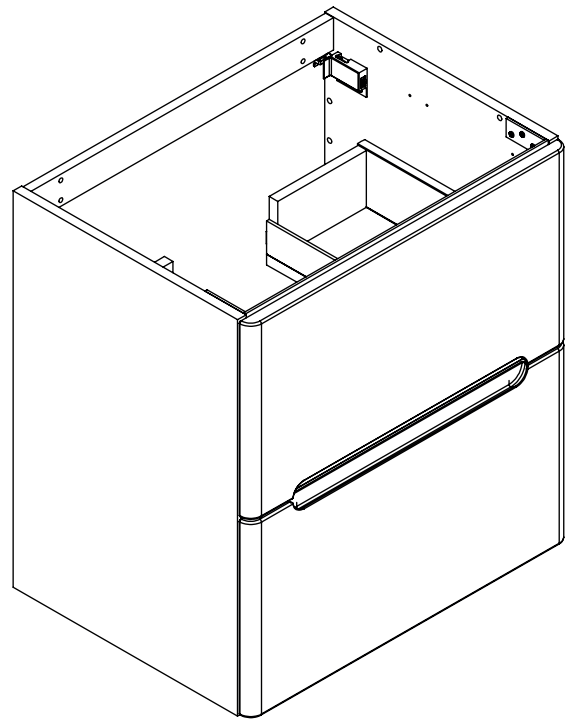
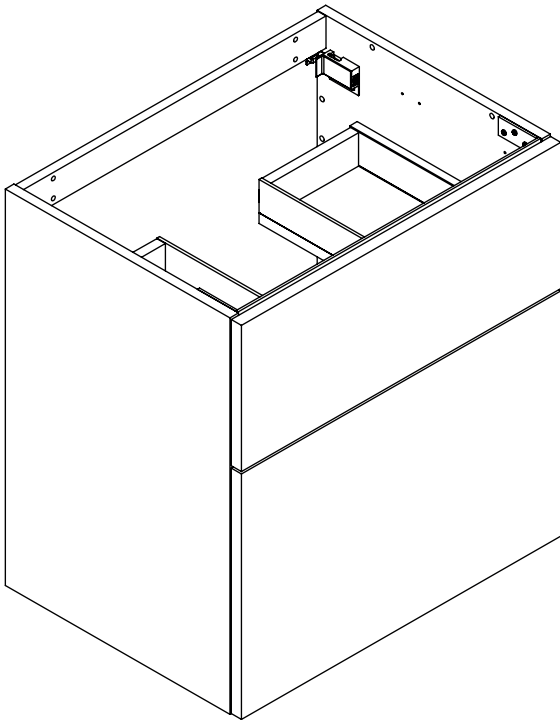




DANSANI
DANISH BATHROOM DESIGN





8x
5-500



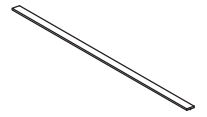
2x
546500146



8x
5,0-60SU

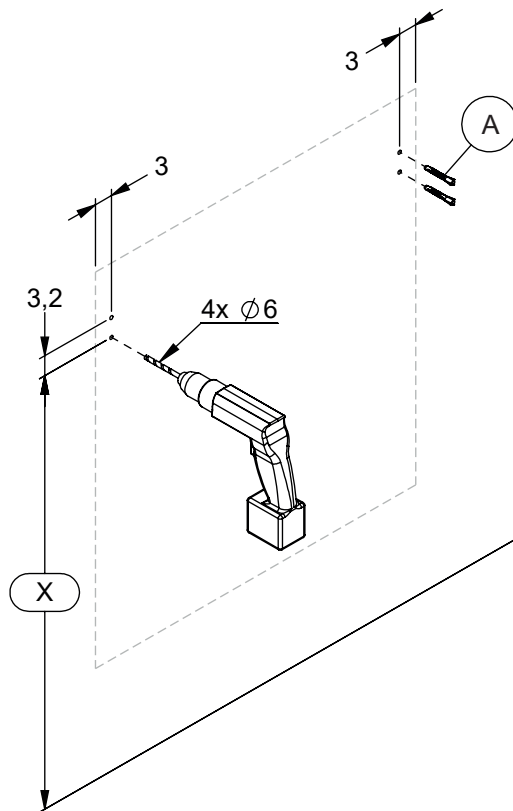
o

8x
19500000



2x/4x
190311512/513

1

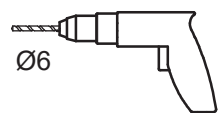


A



4x
5-500

1



Ø6

2



SILICONE

3

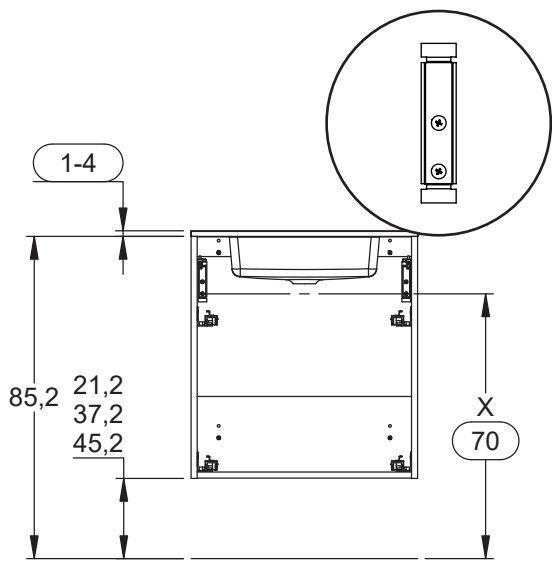


A

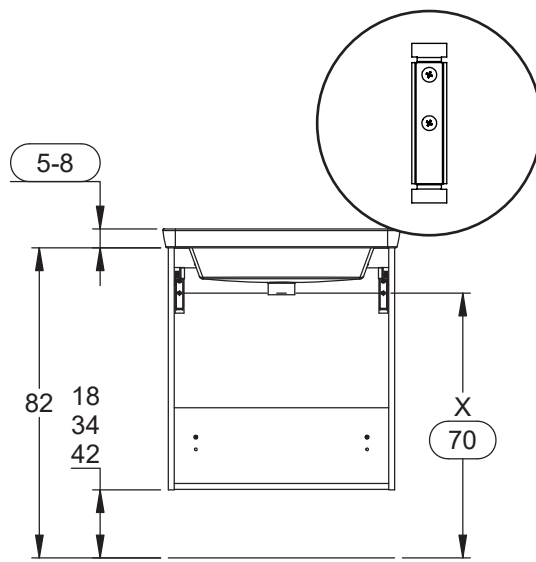
4



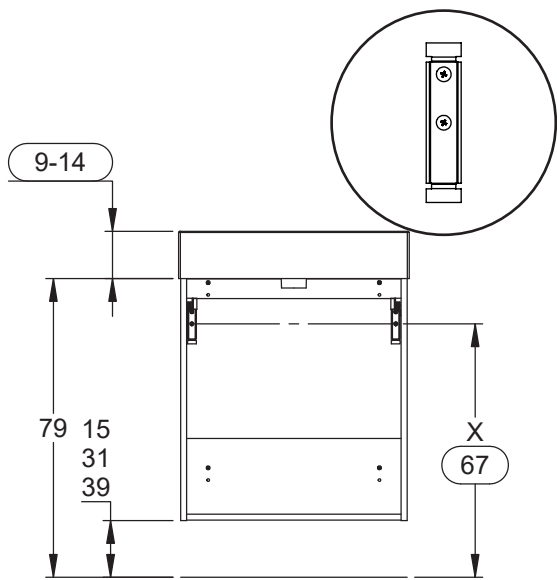
SILICONE



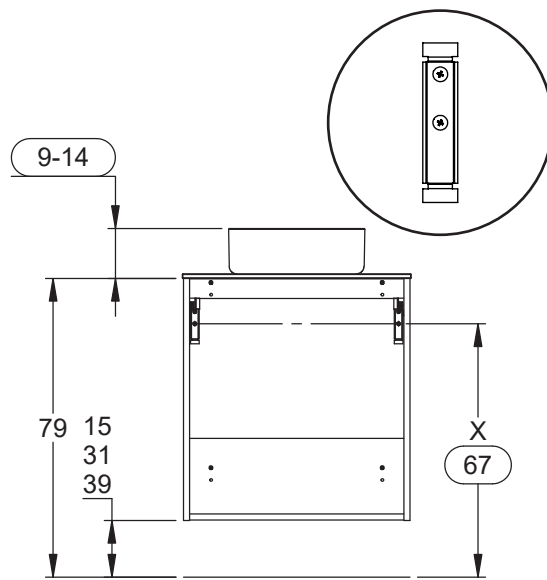
→ 2A



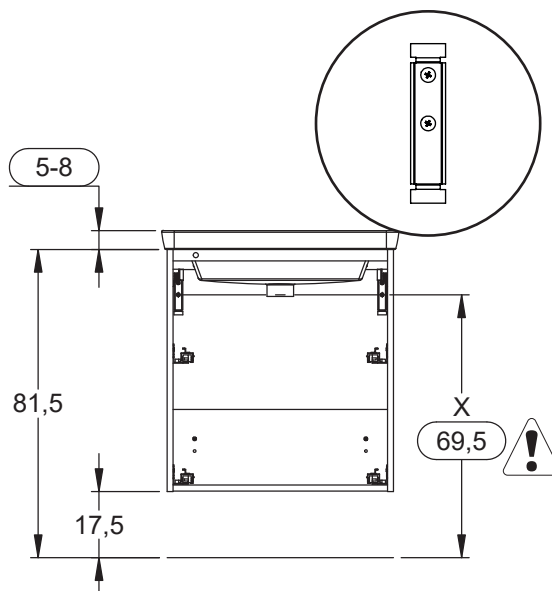
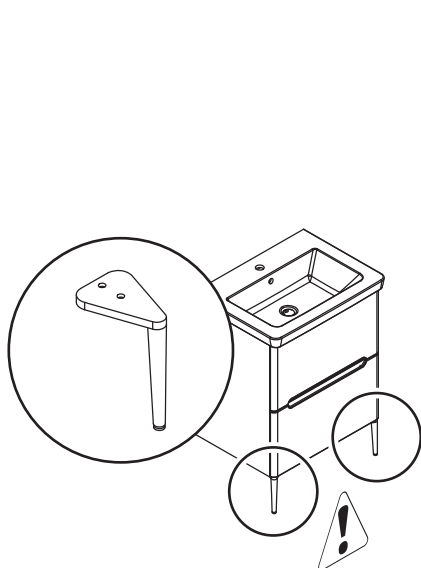
→ 2B



→ 2B

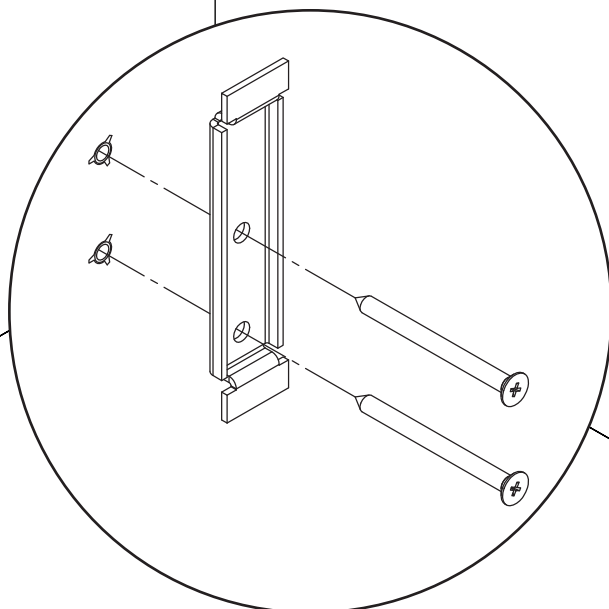
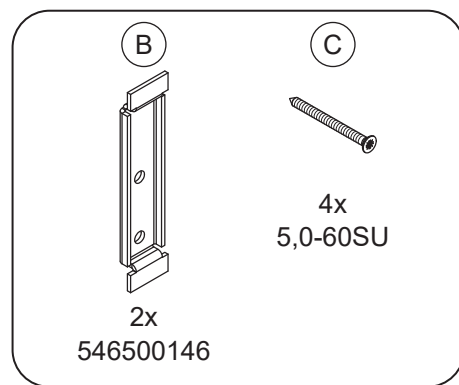
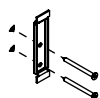
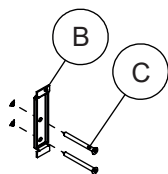
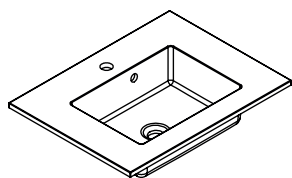


→ 2B

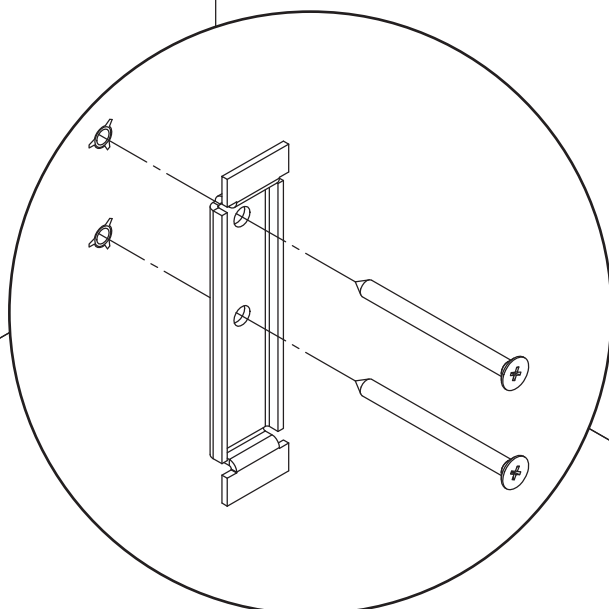
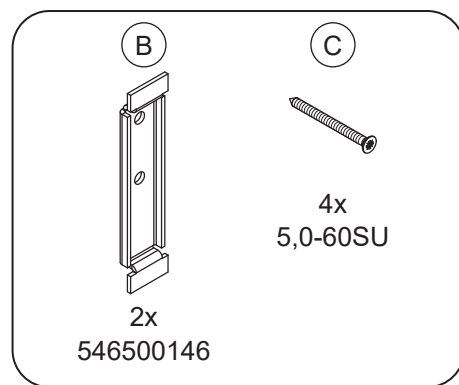
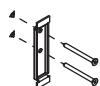
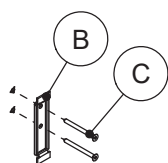
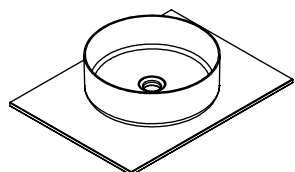
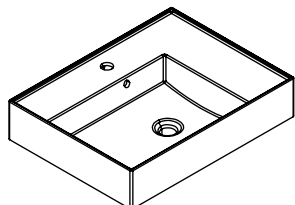
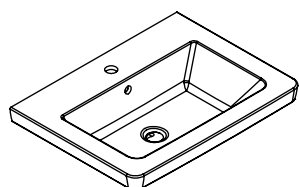


→ 2B

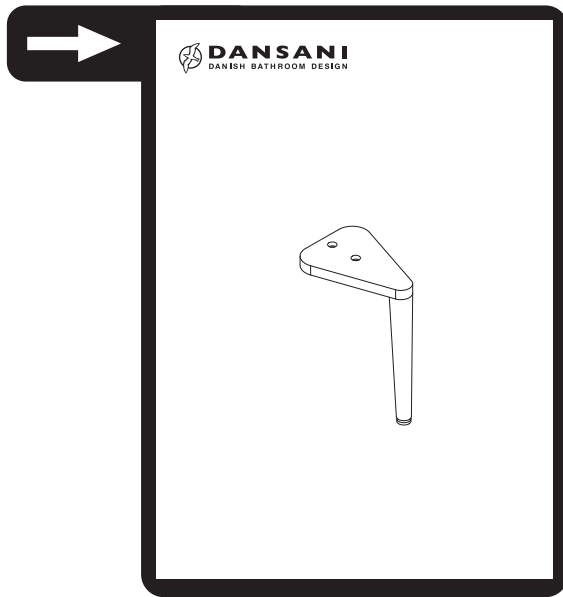
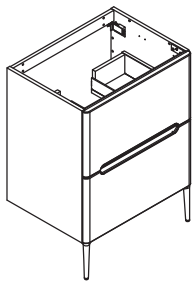
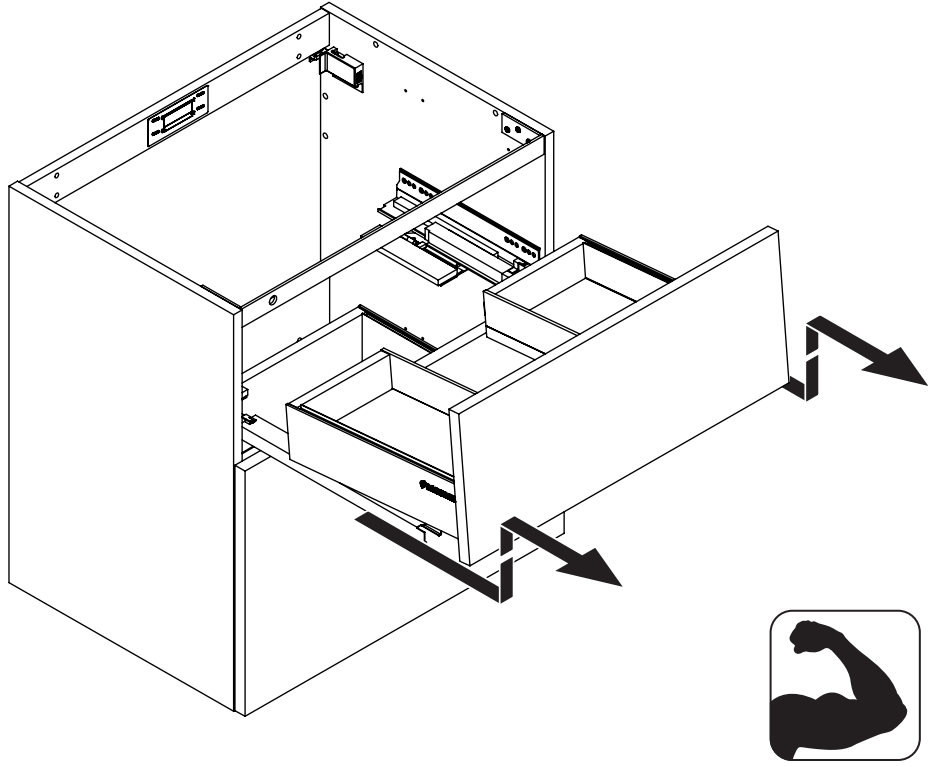
2A



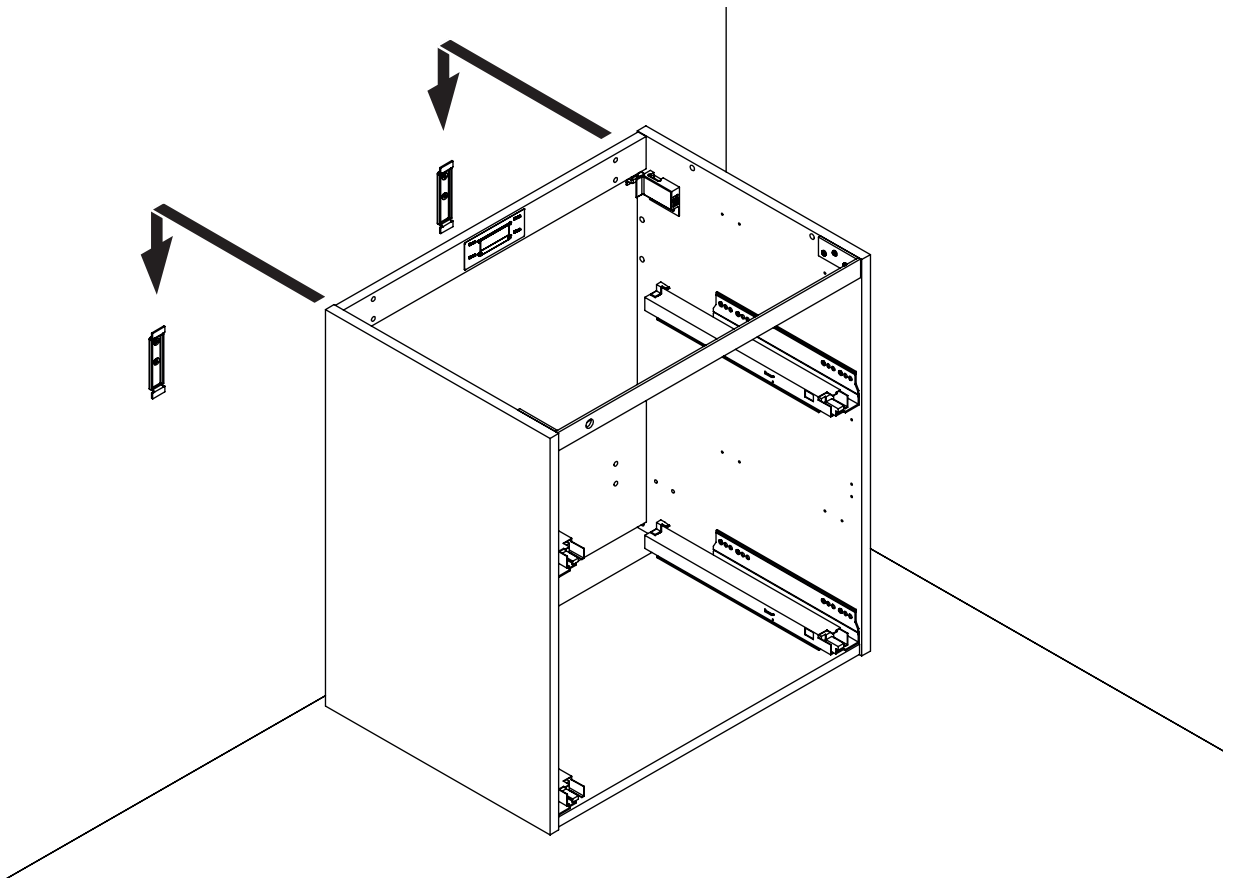
2B



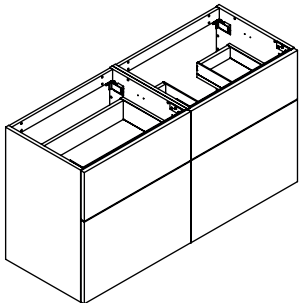
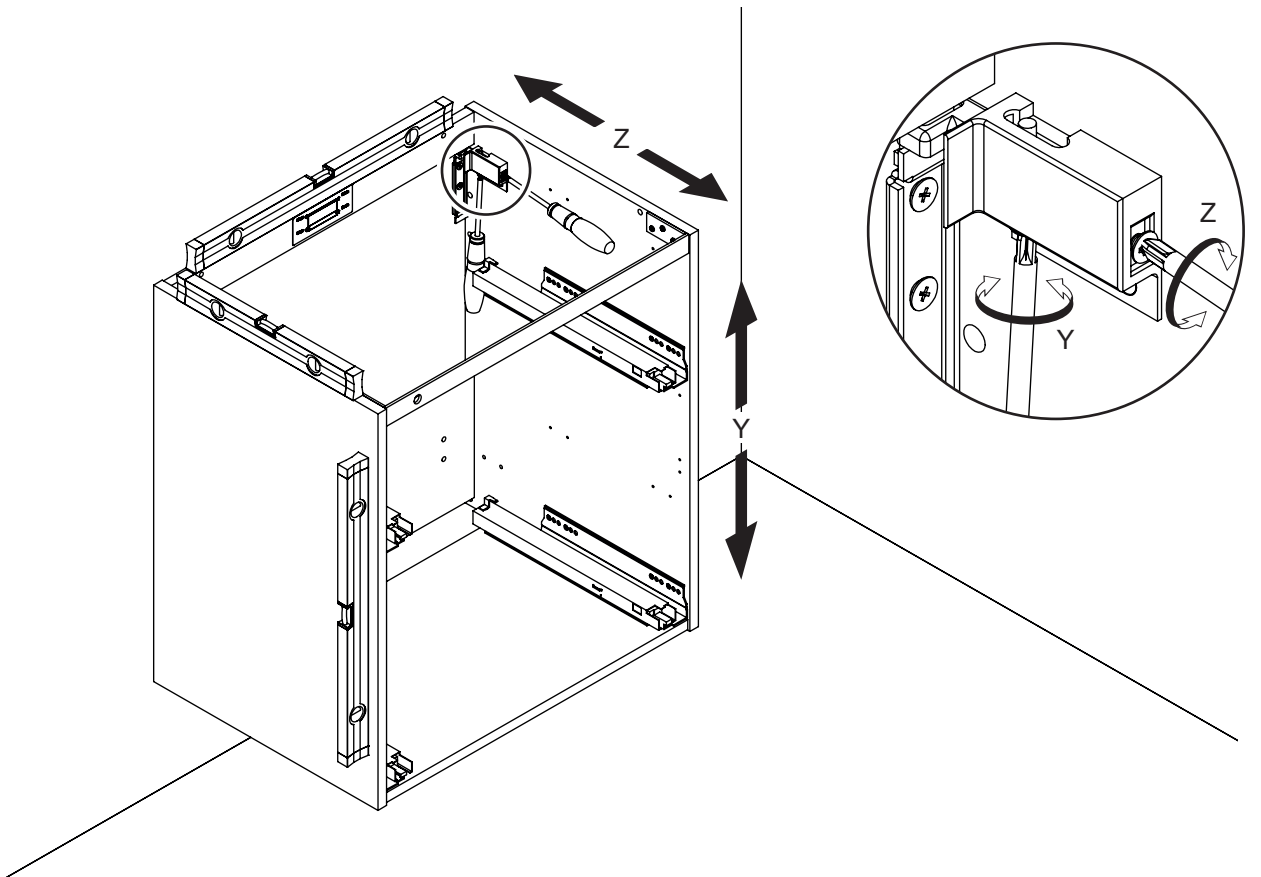
3



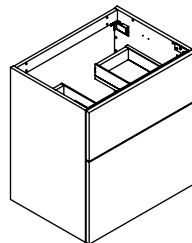
4



5

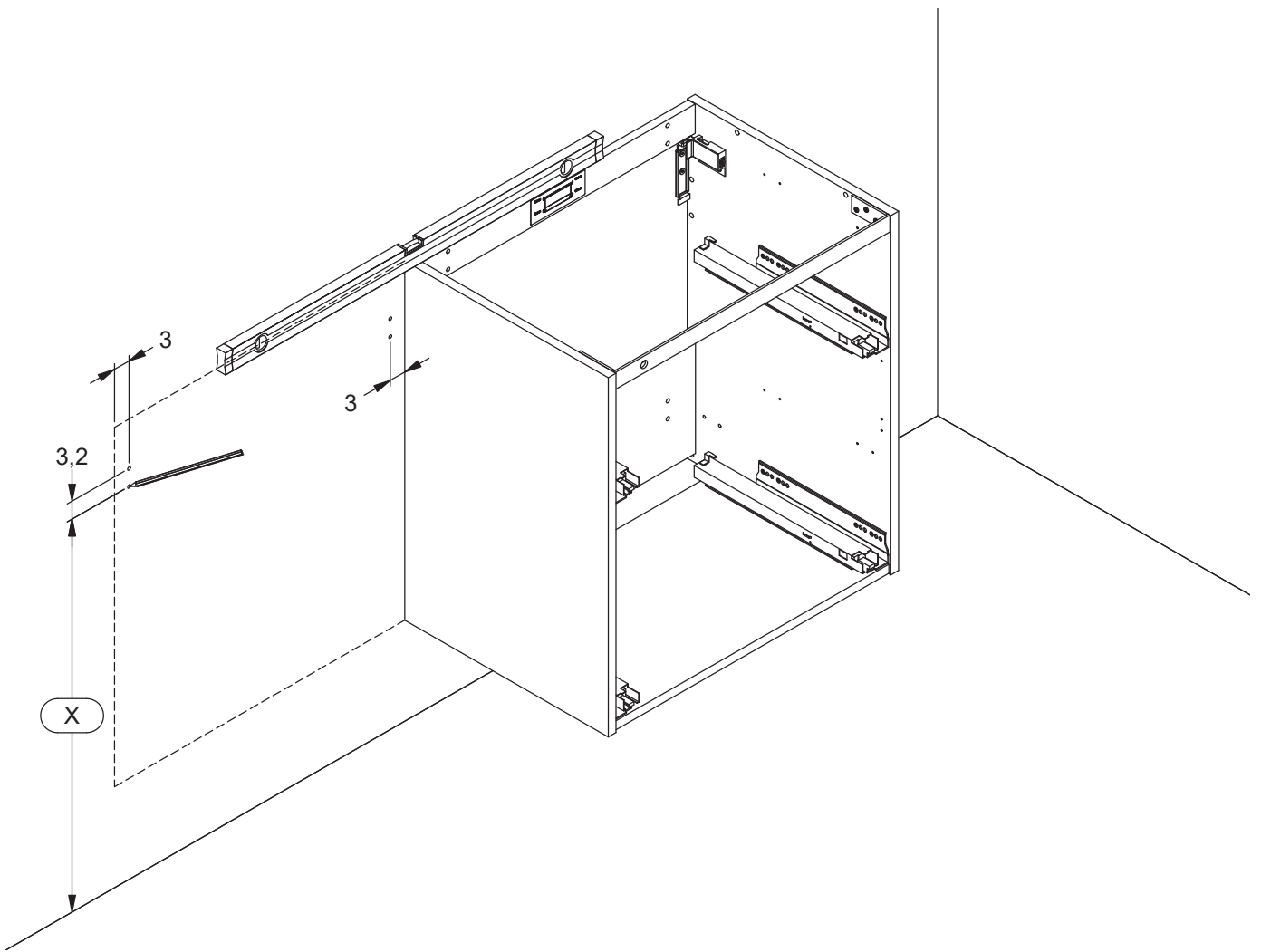


→ 6

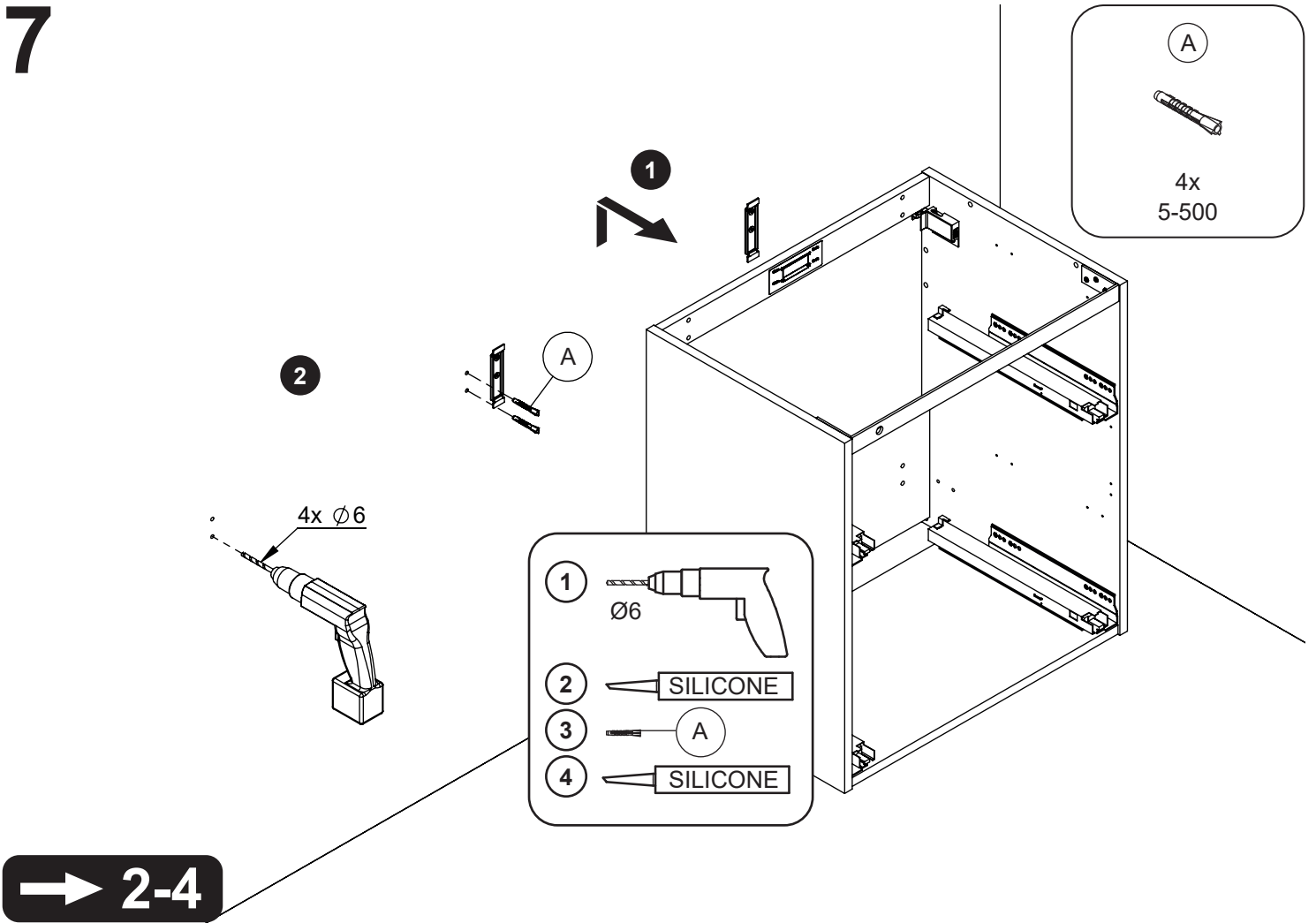


→ 9


6




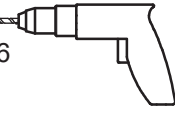
7





(A)




4x
5-500

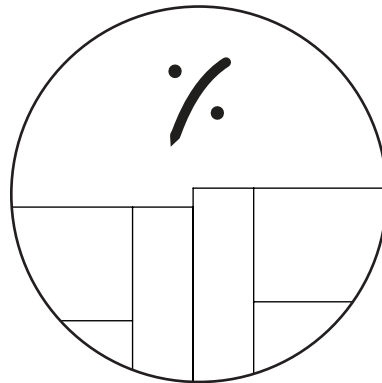
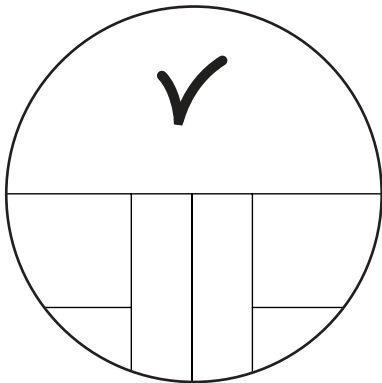
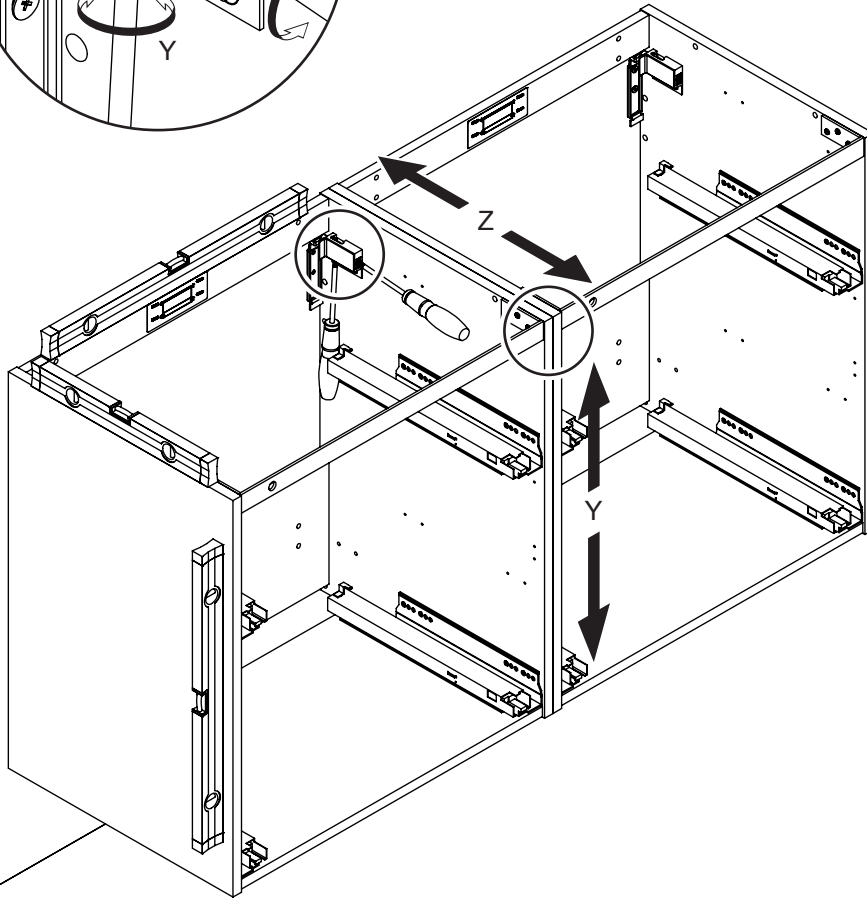
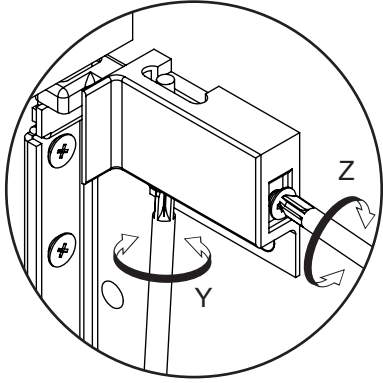
(1)  Ø6 

(2)  SILICONE

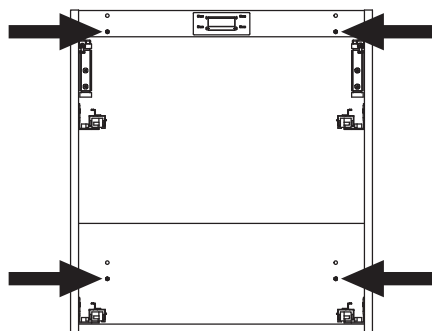
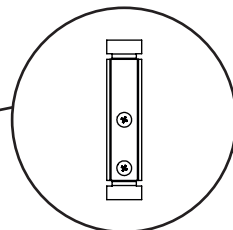
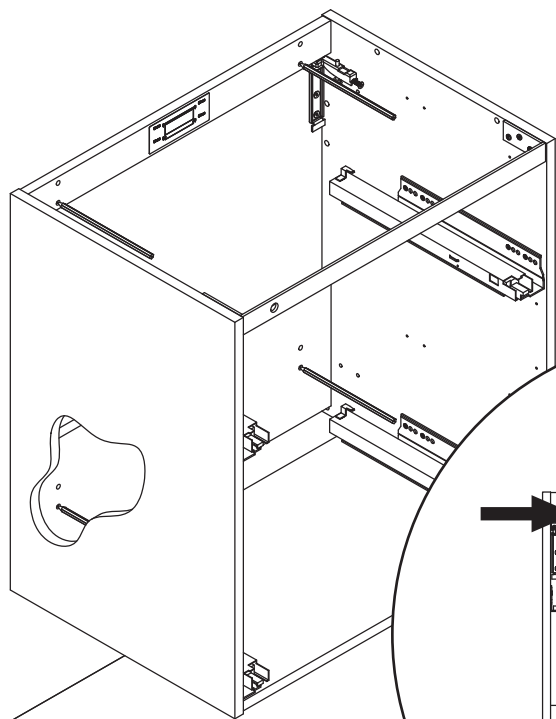
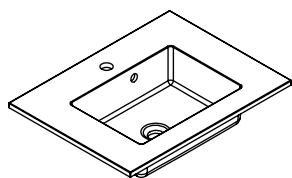
(3)  (A)

(4)  SILICONE

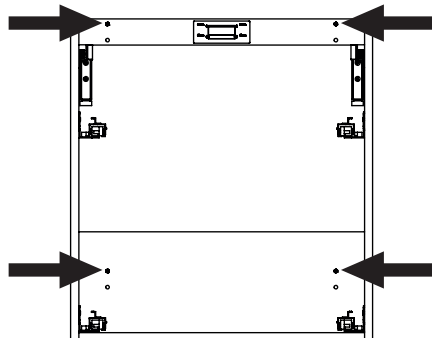
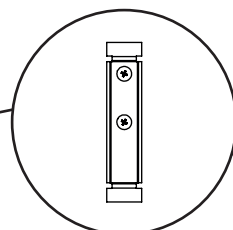
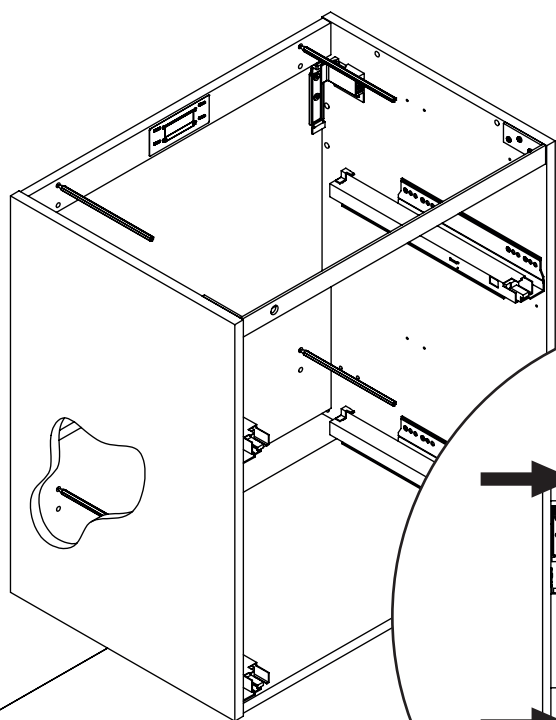
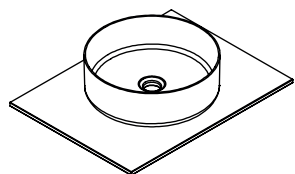
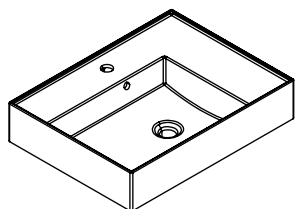
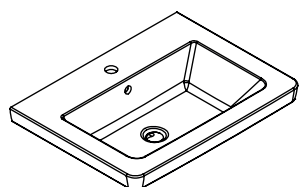
→ 2-4



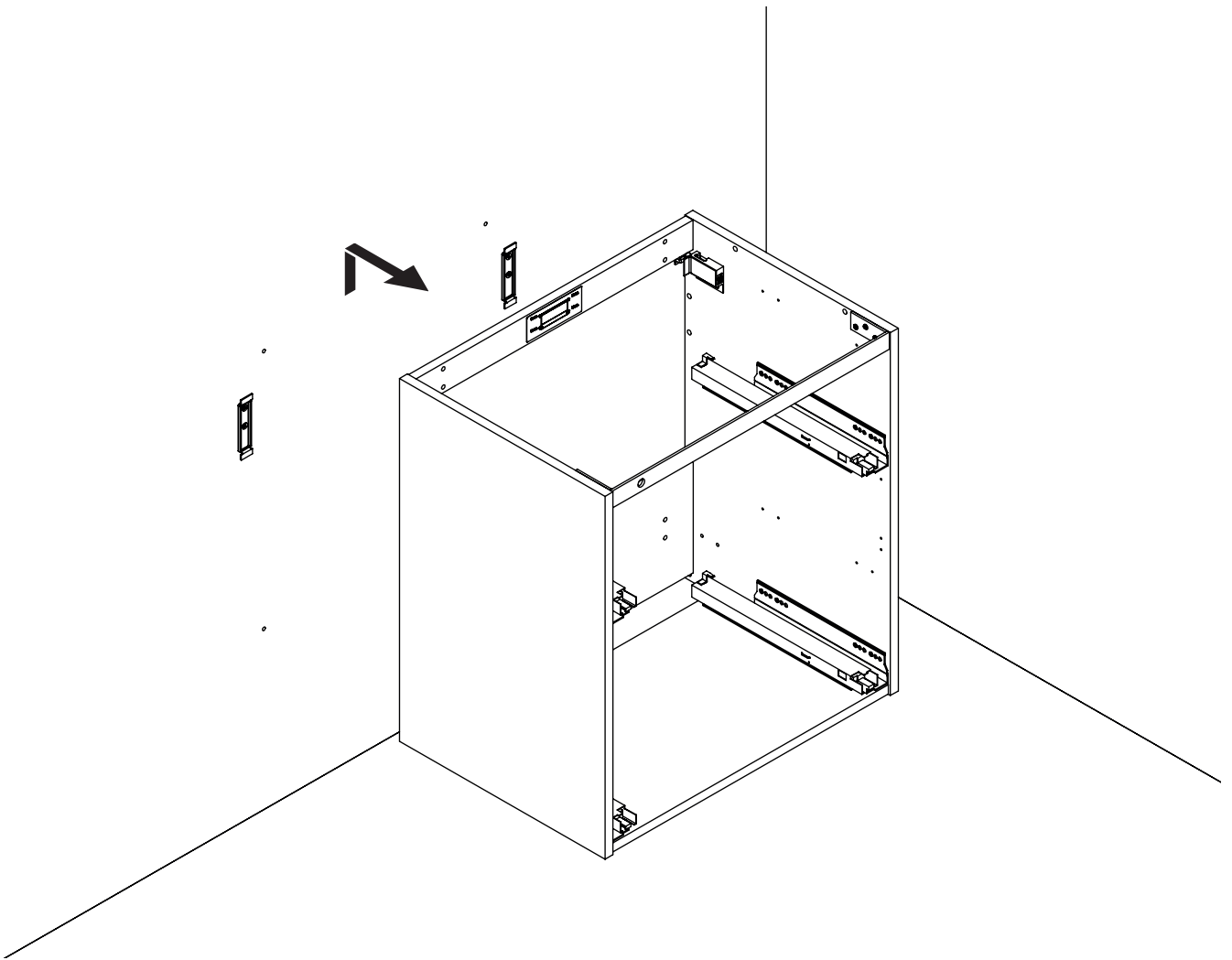
9A



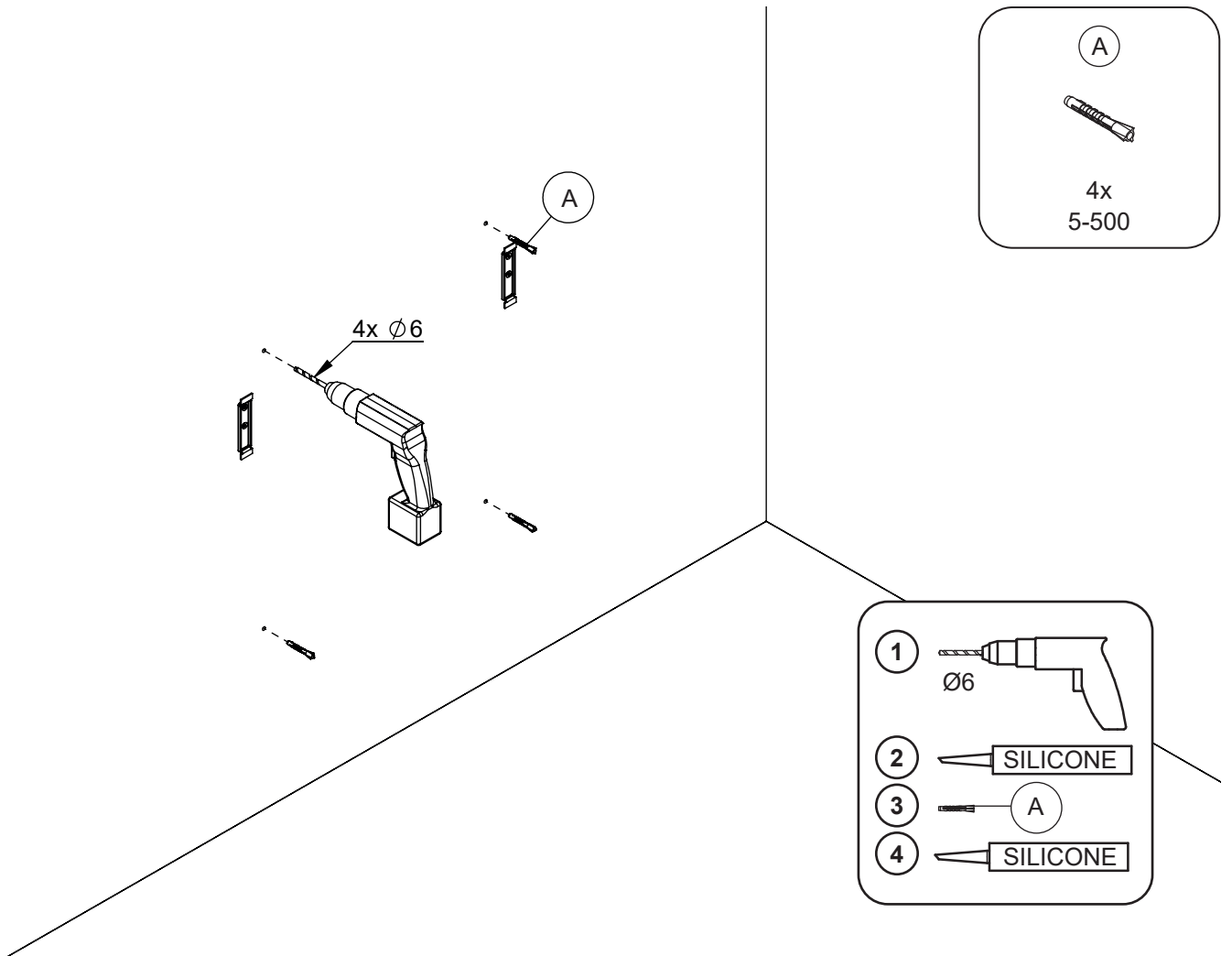
9B



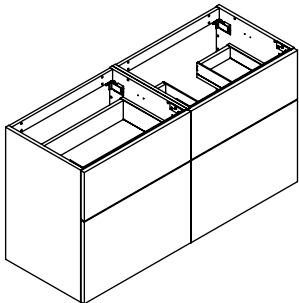
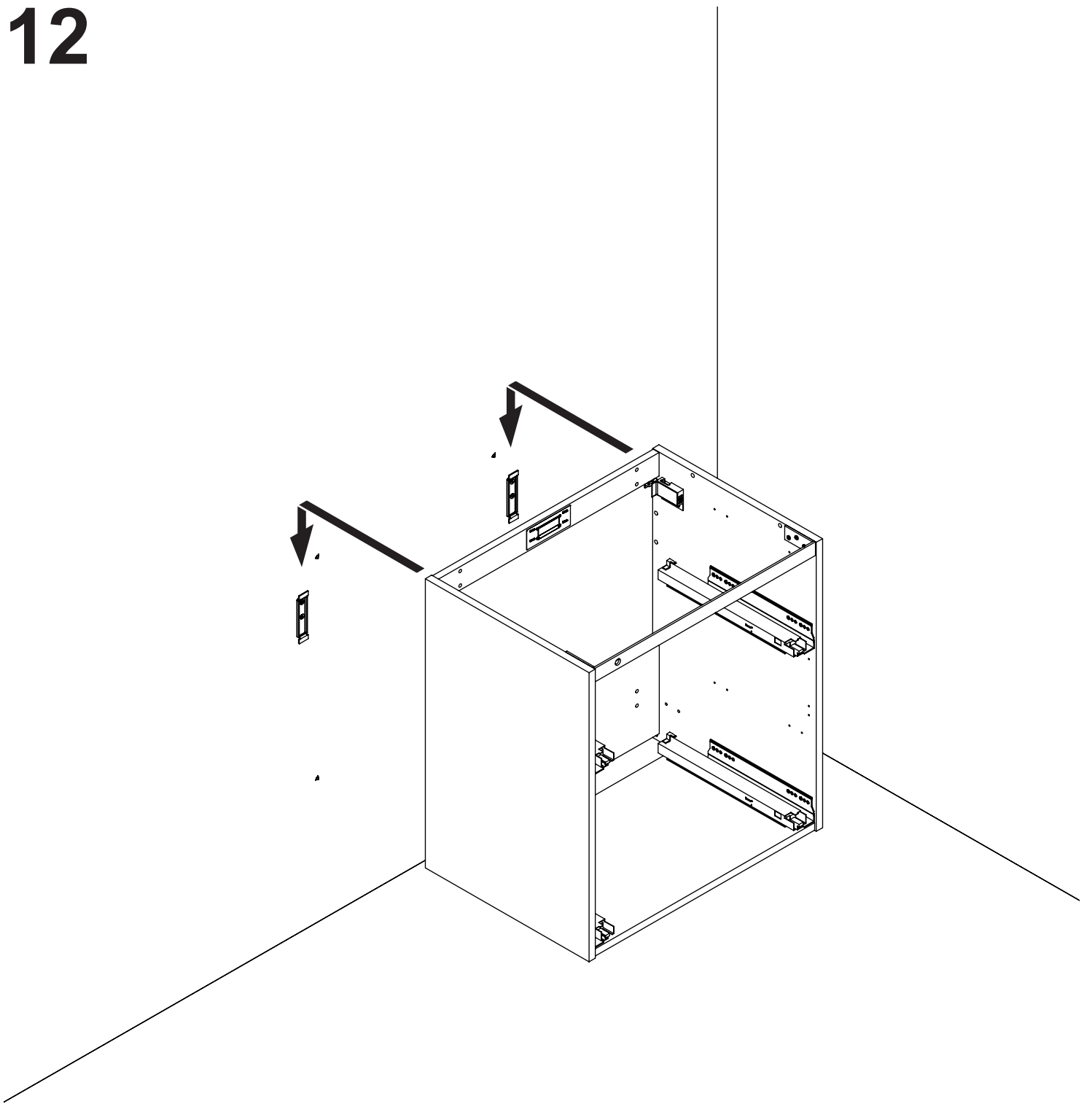
10



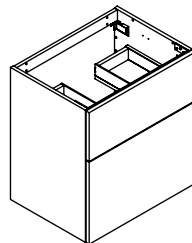
11



12

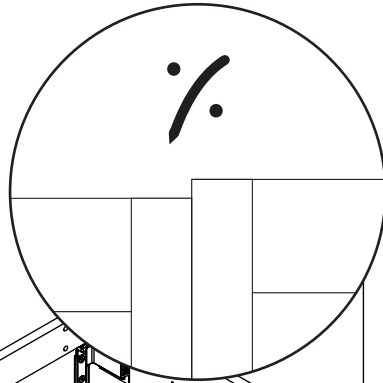
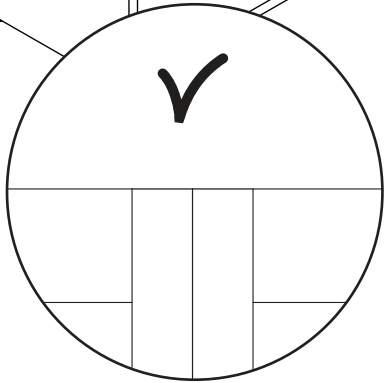
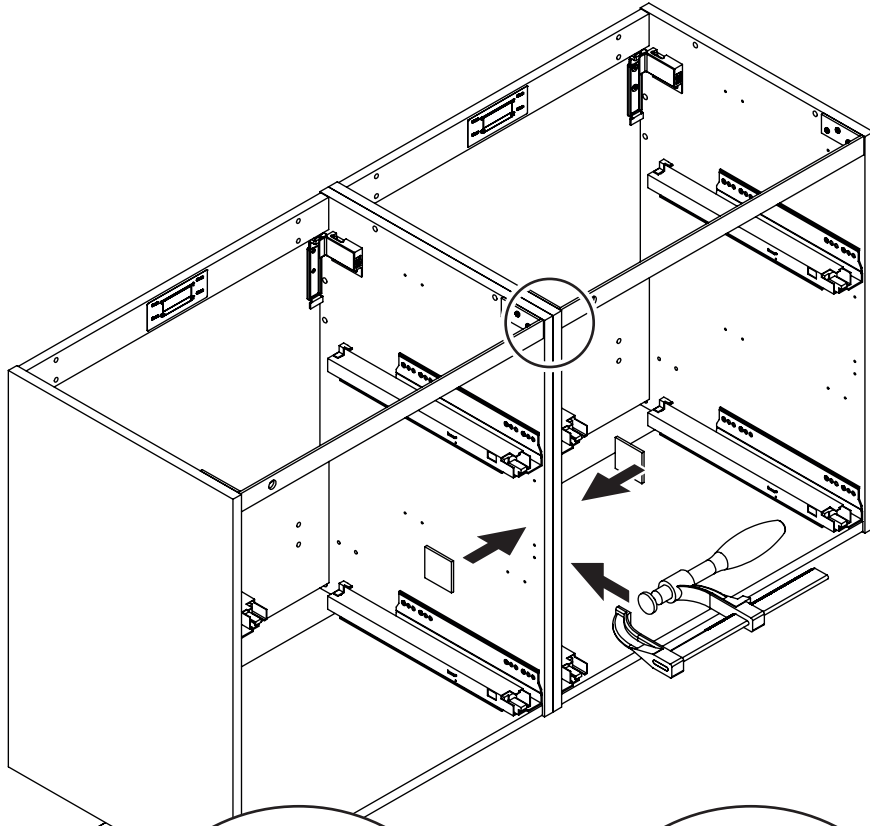


→ 13

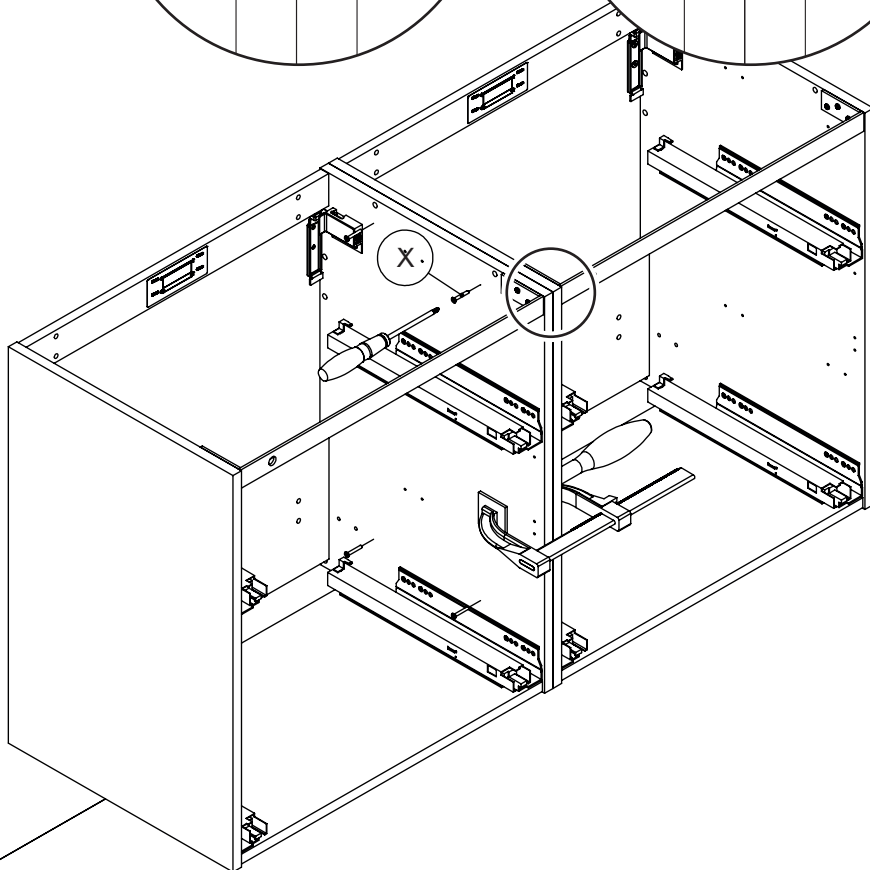



→ 15

13

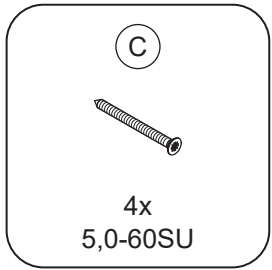
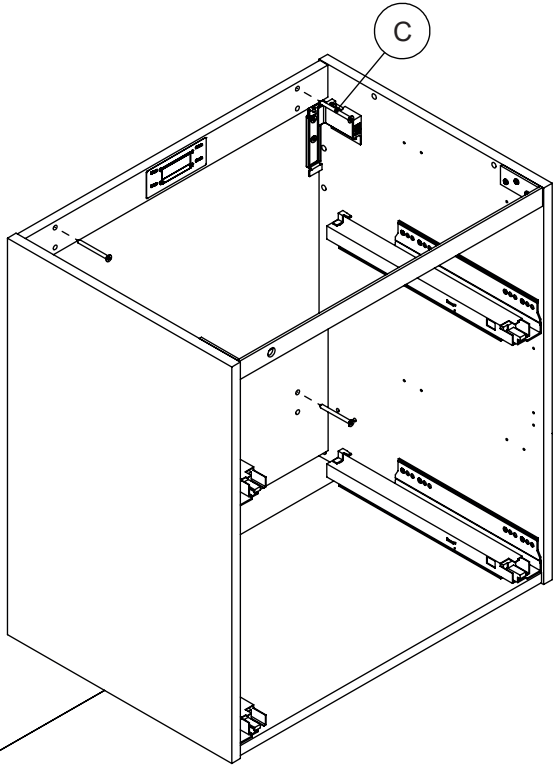


14

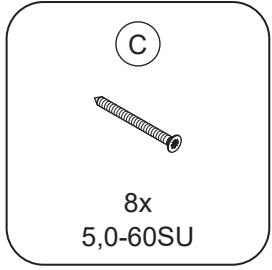
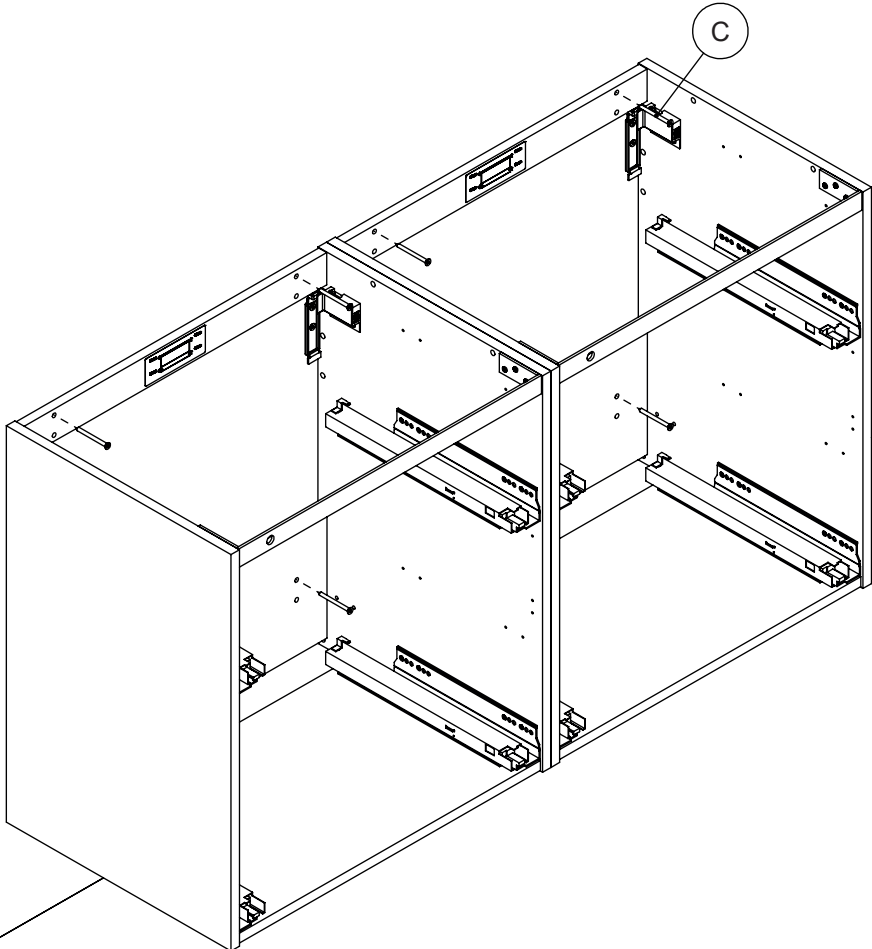


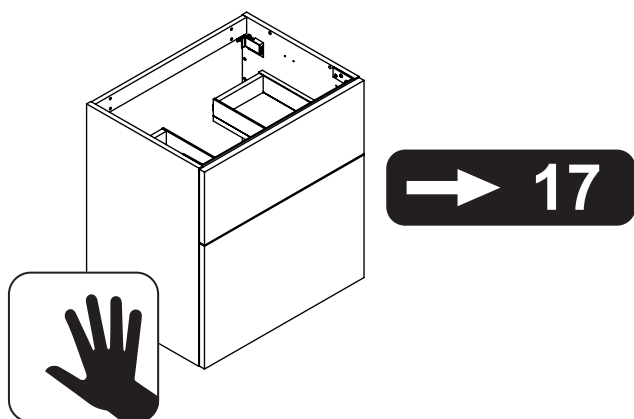
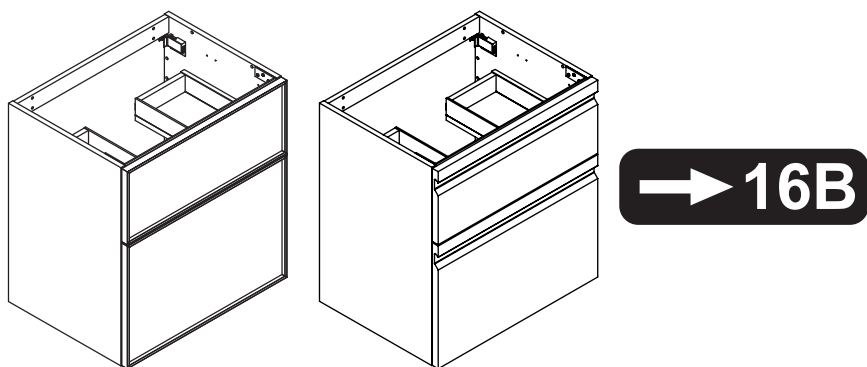
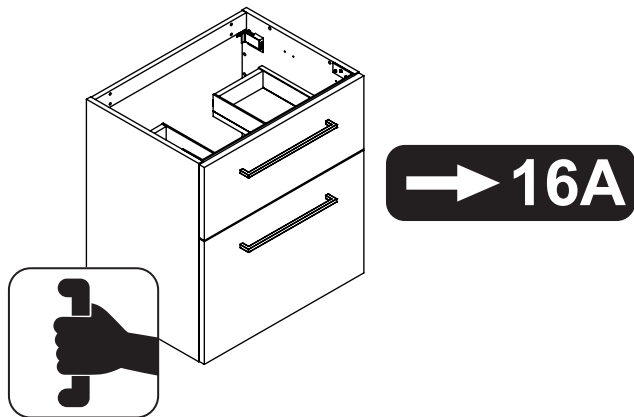
(X)

4x
4,0-30SU

15A

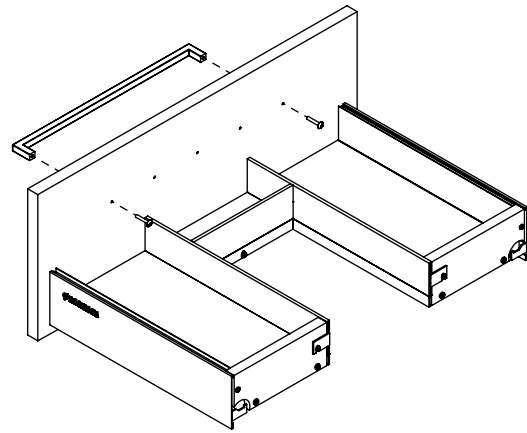
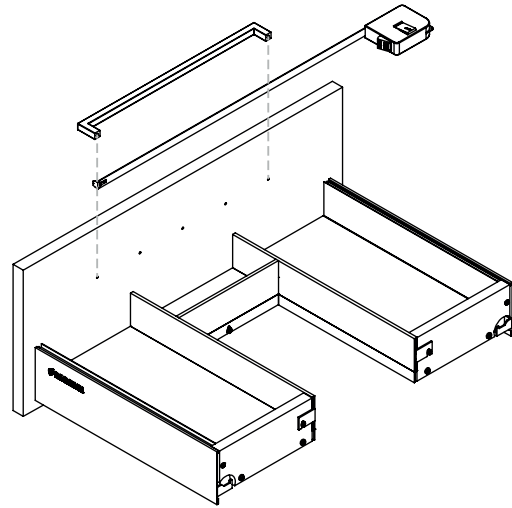
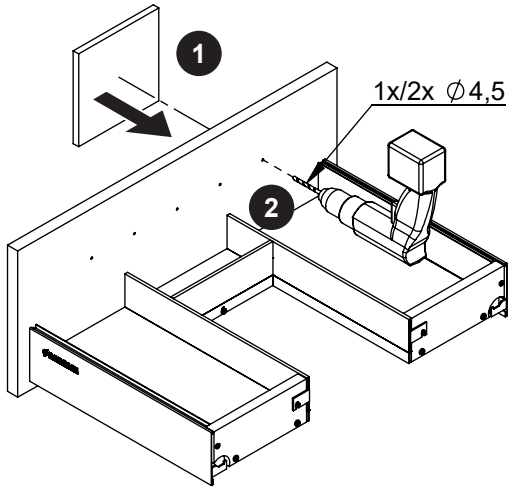


15B

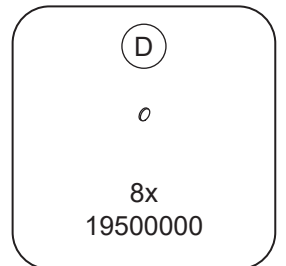
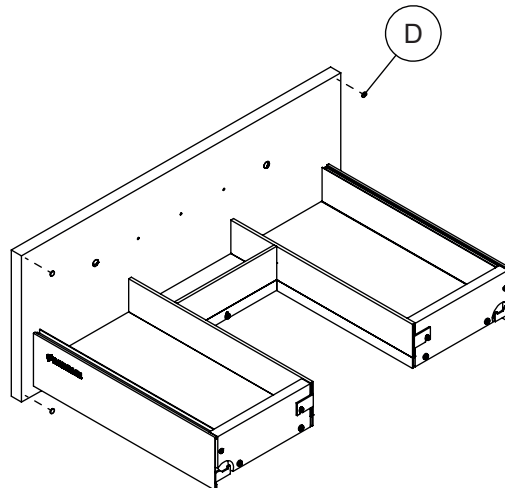




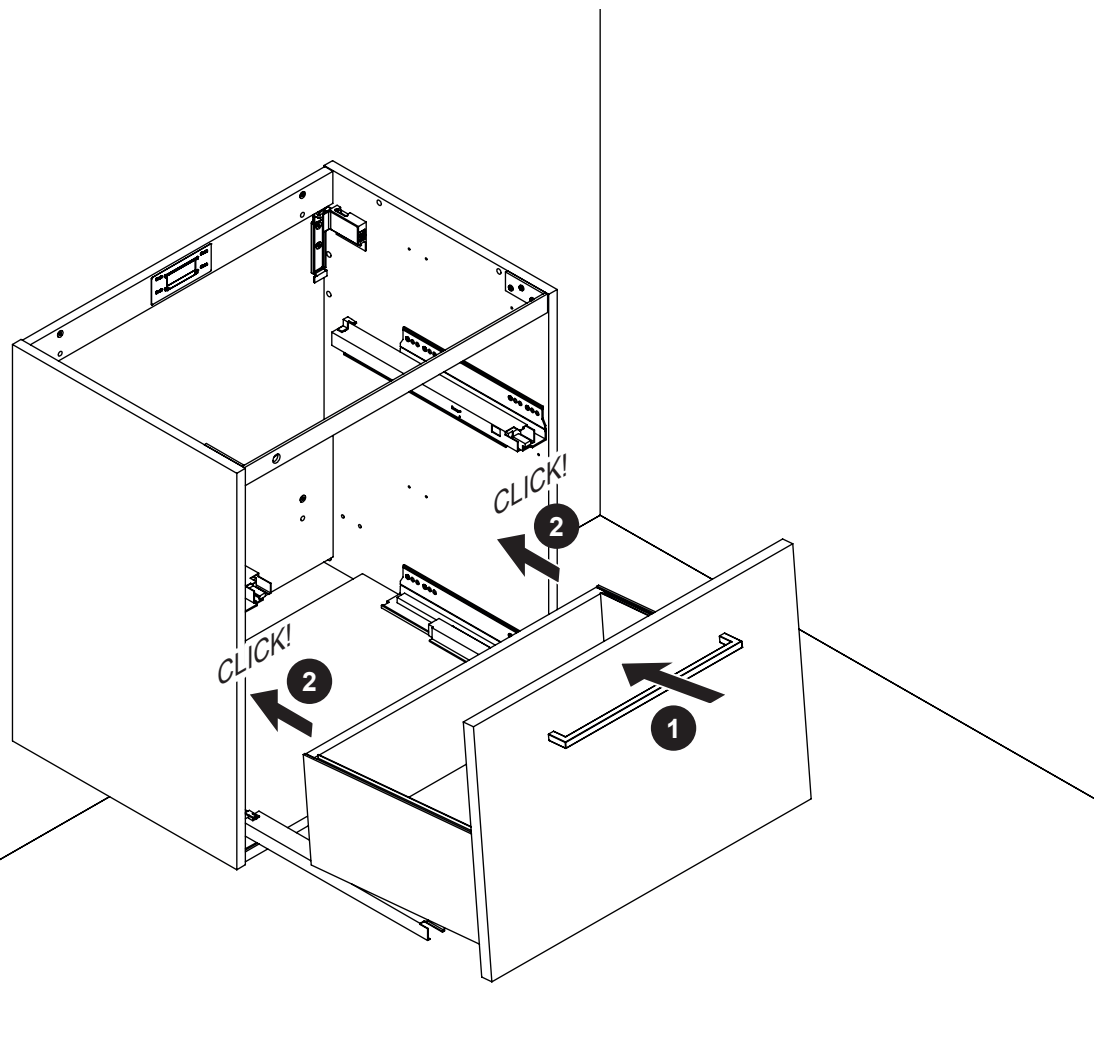
16A



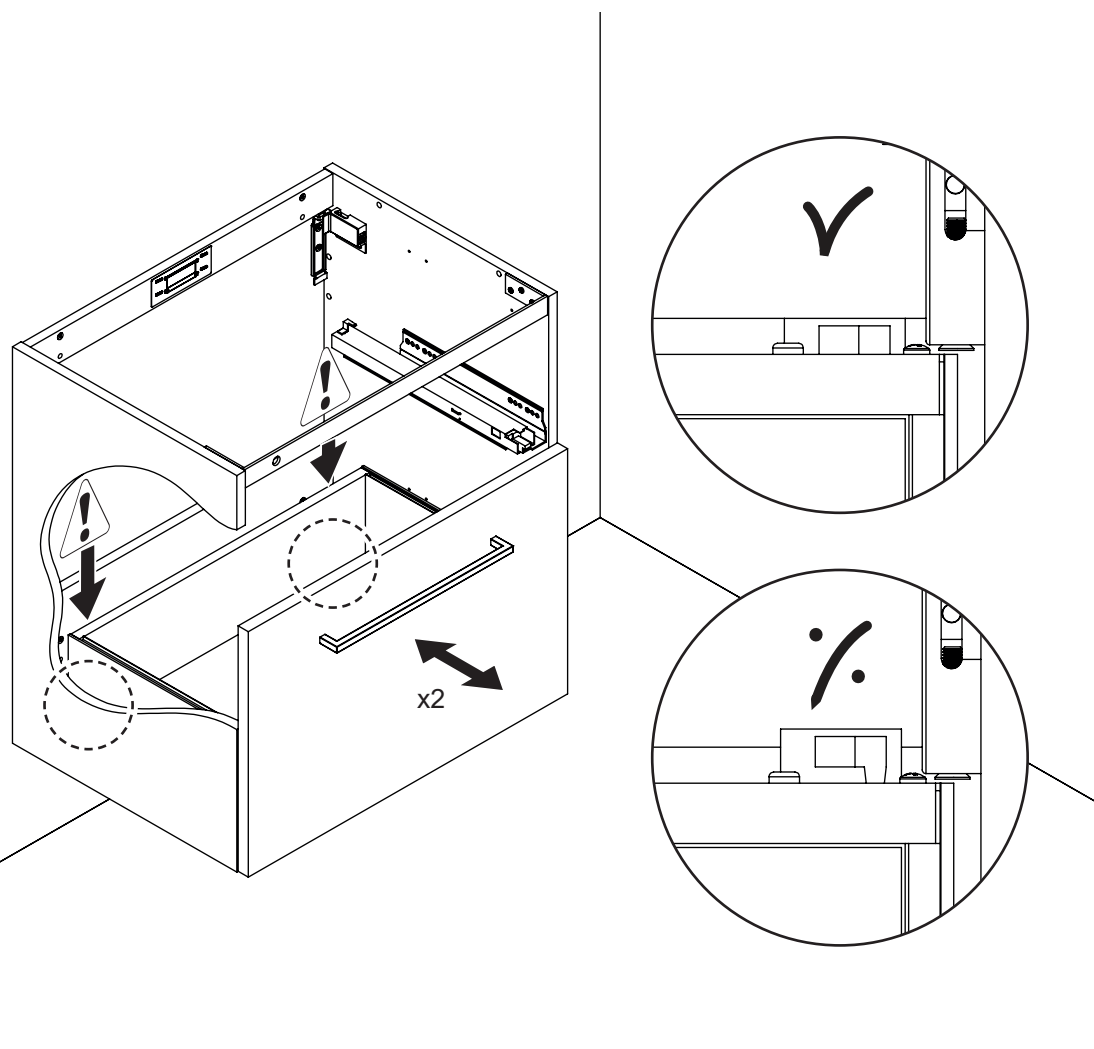
16B



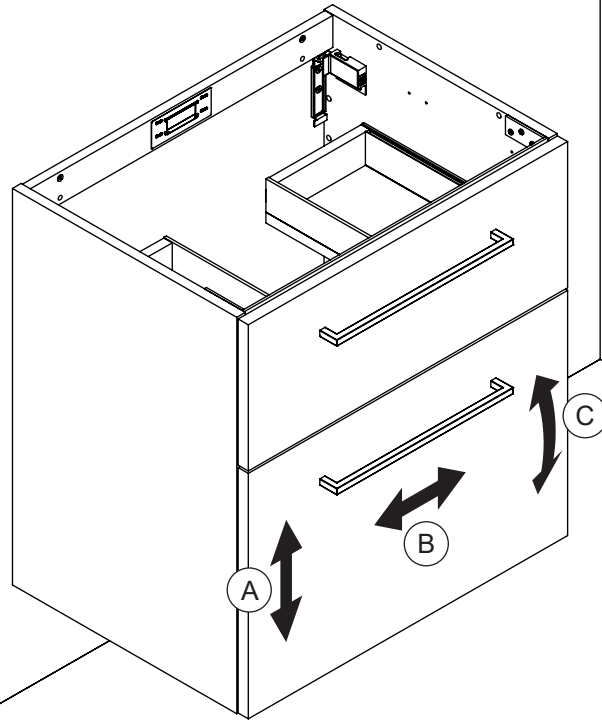
17



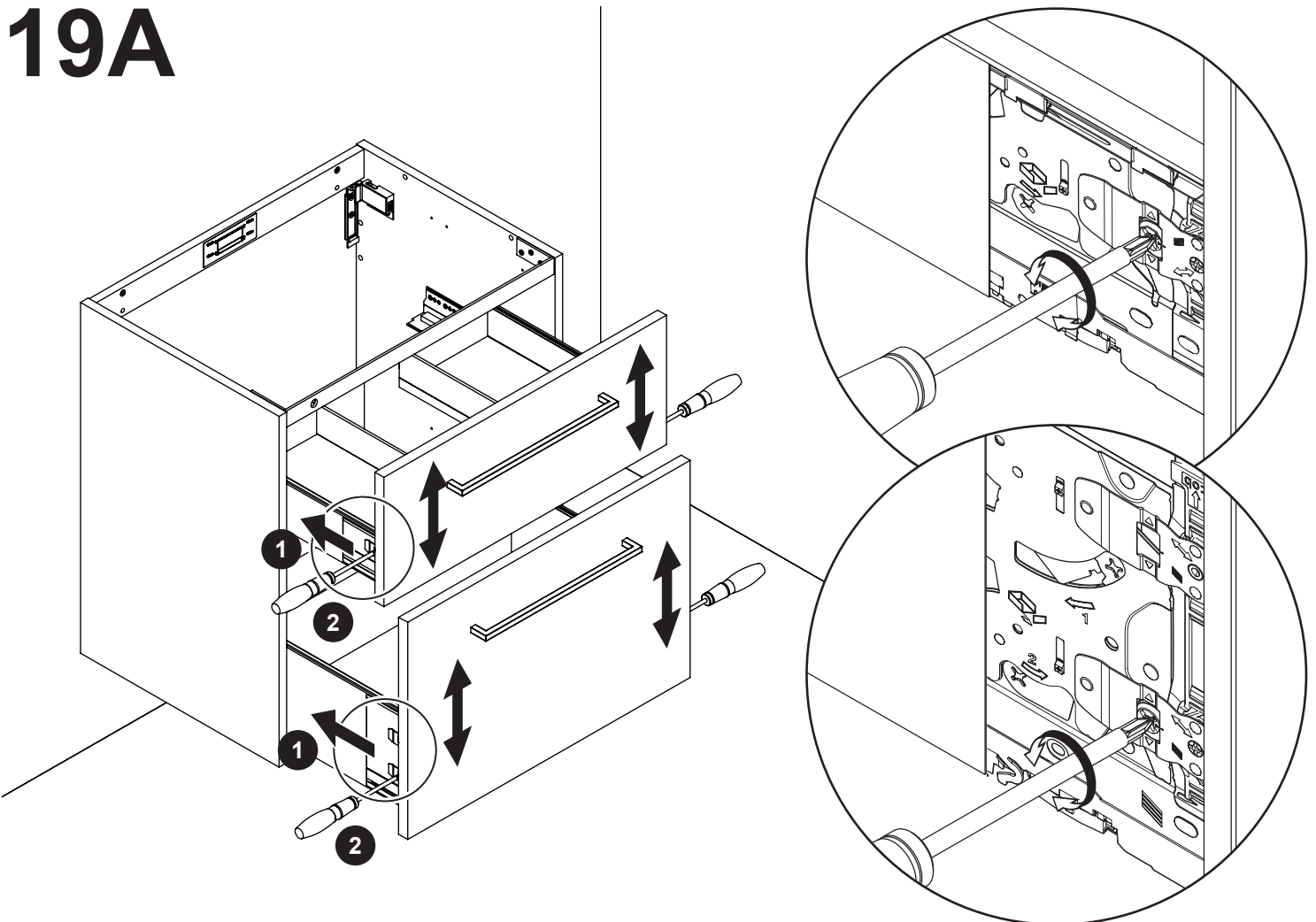
18



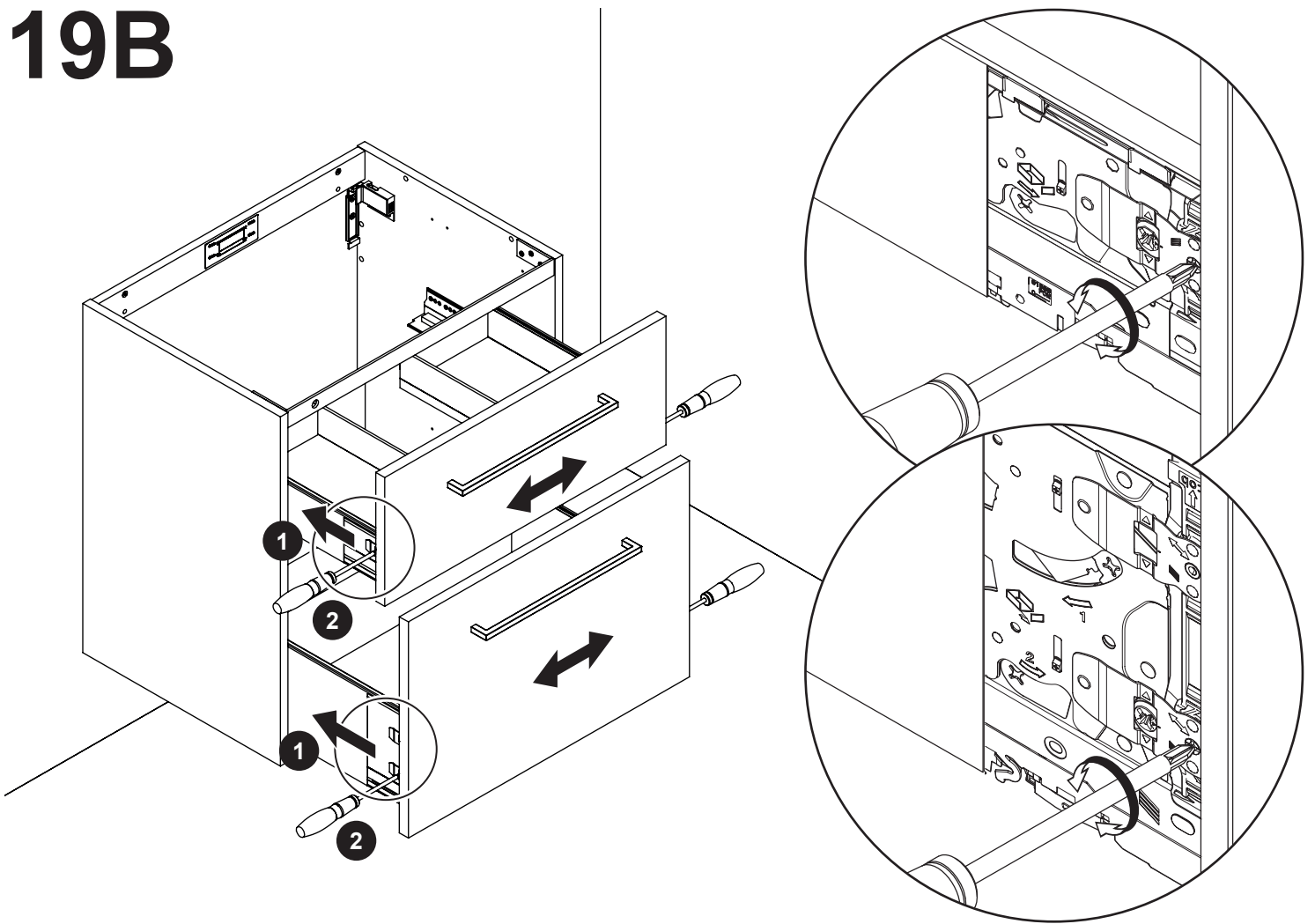
19



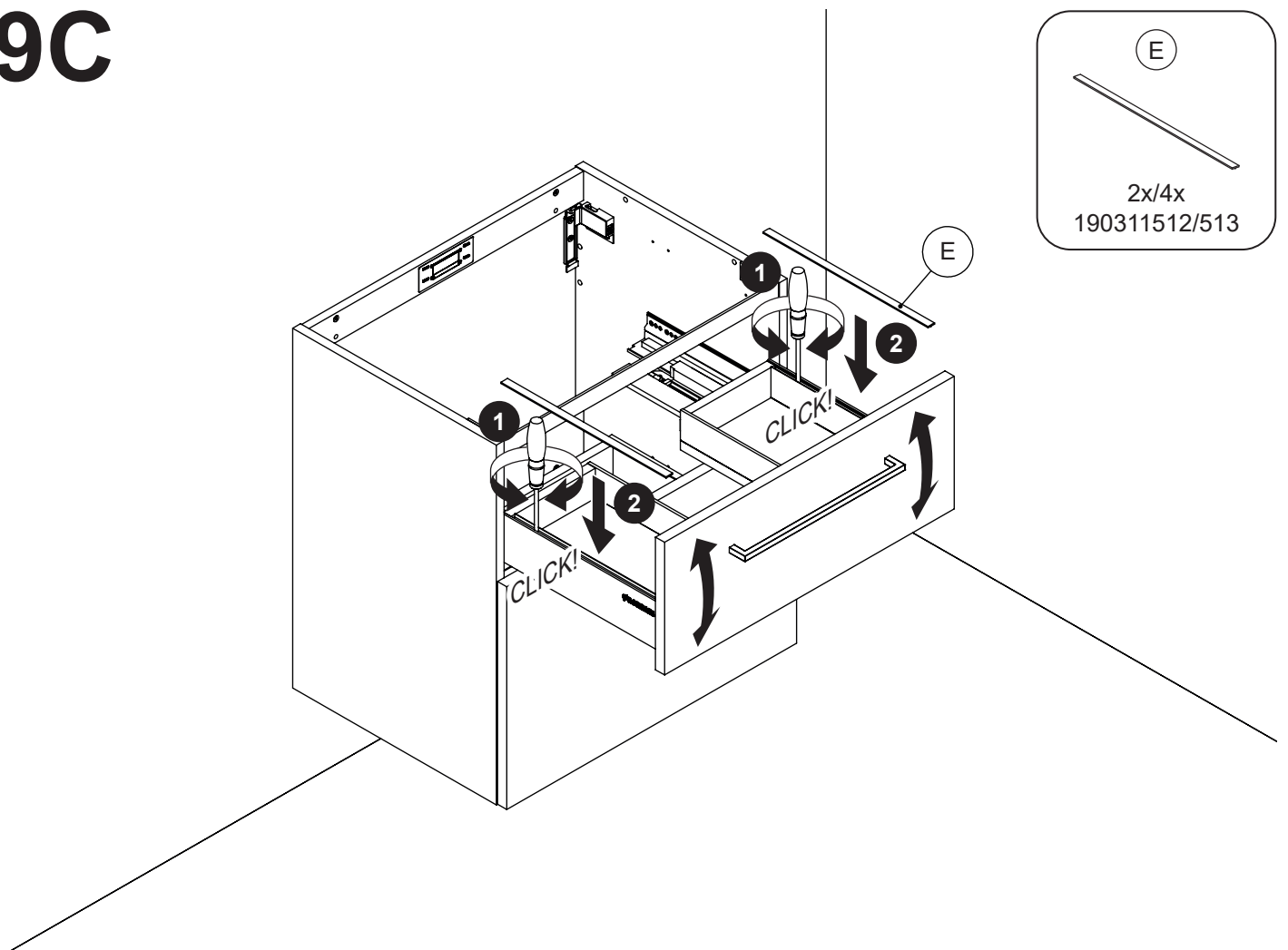
19A



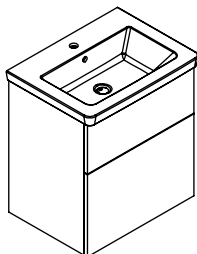
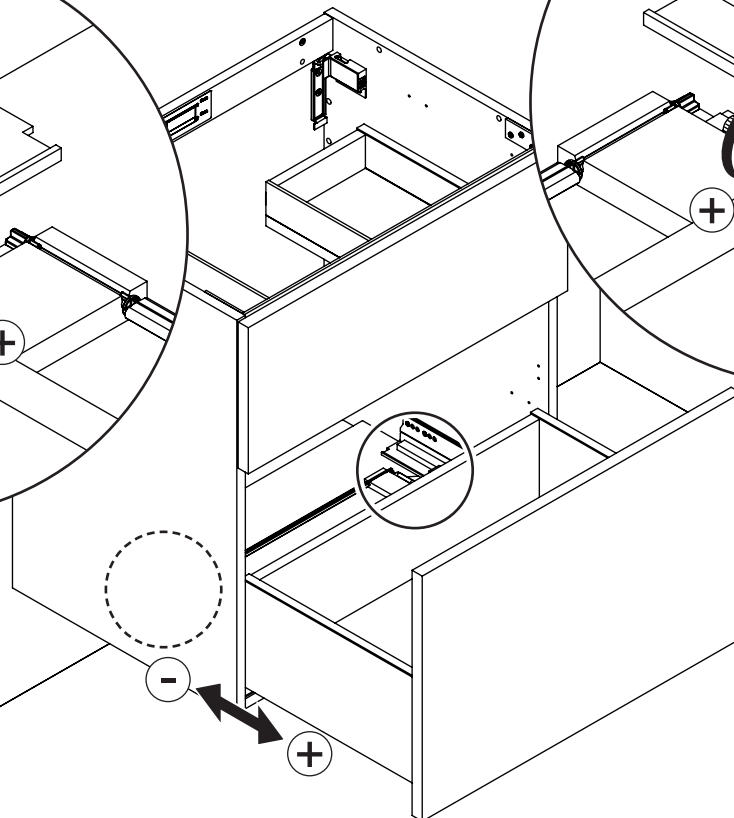
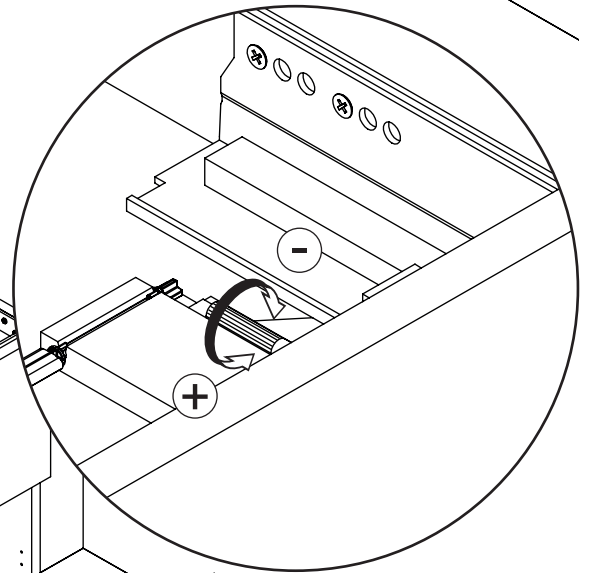
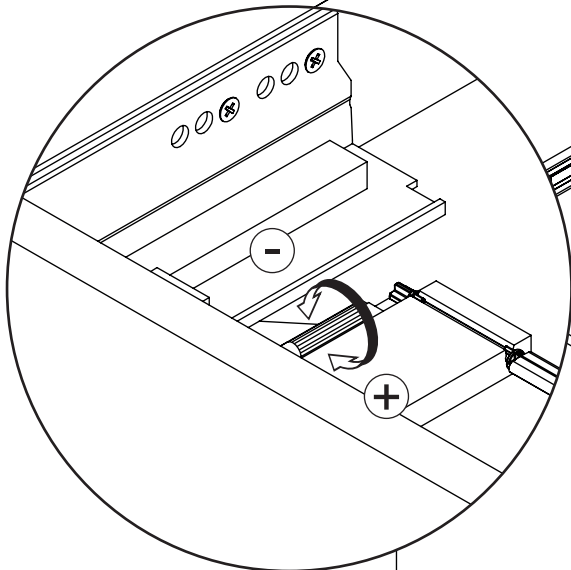
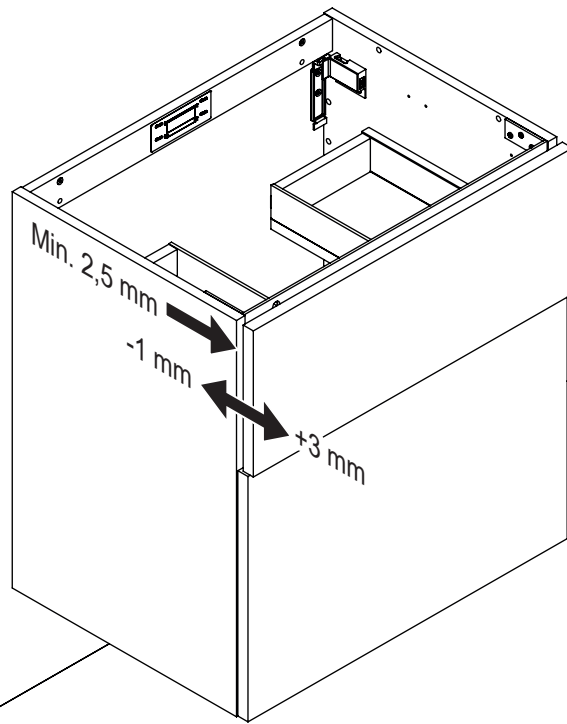
19B



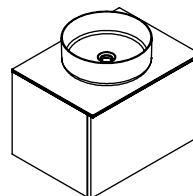
19C



20

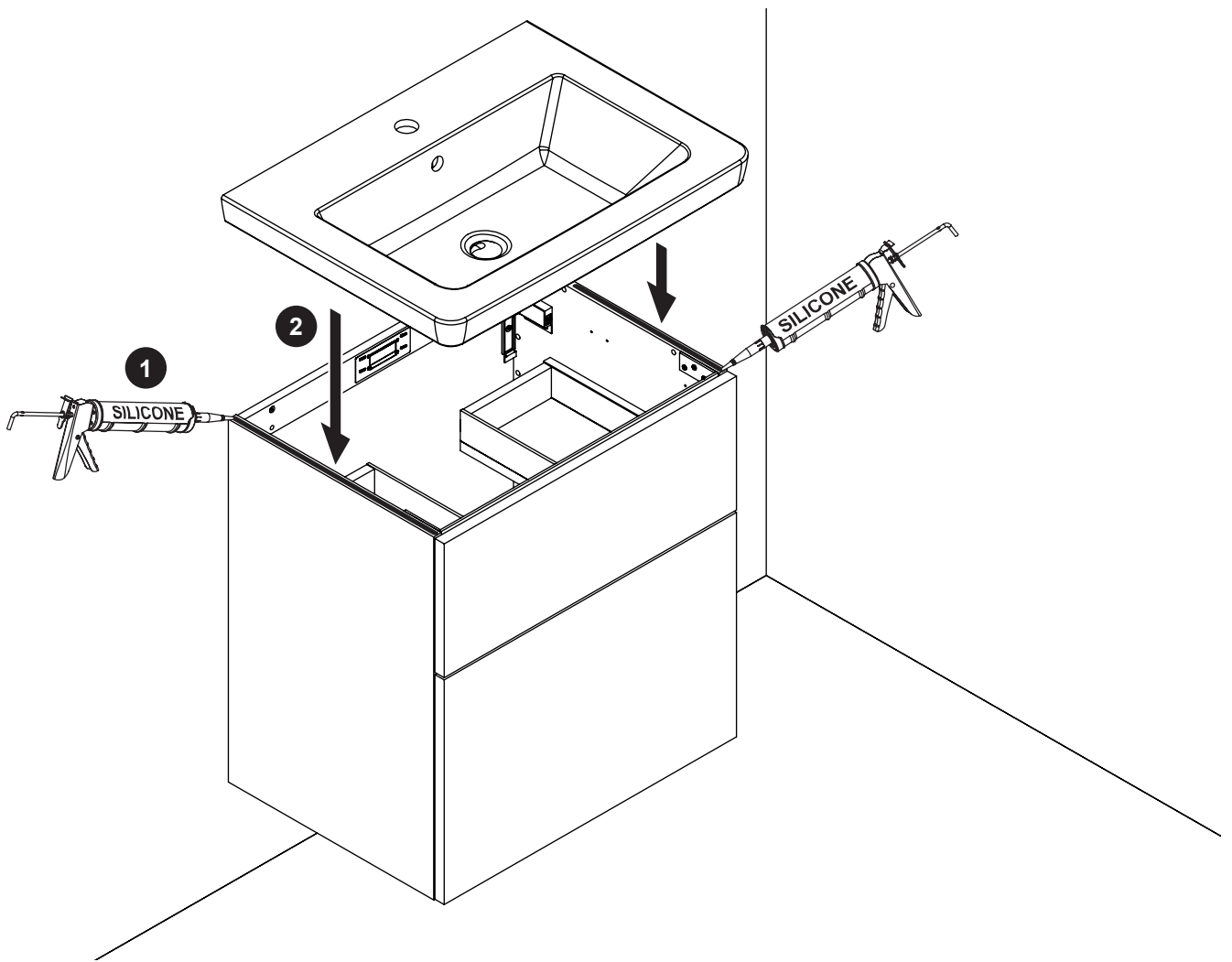


→ 21

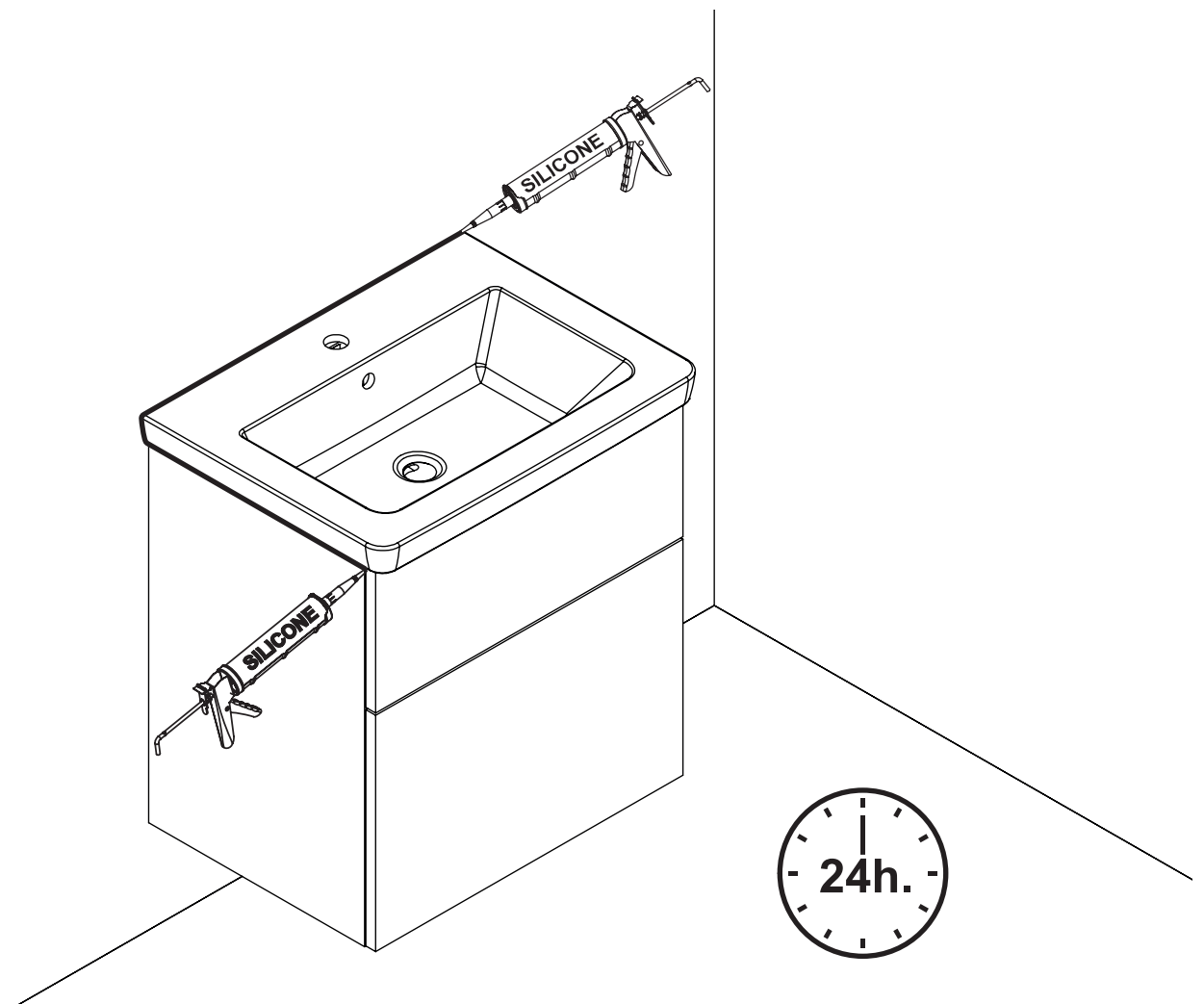


→ 23

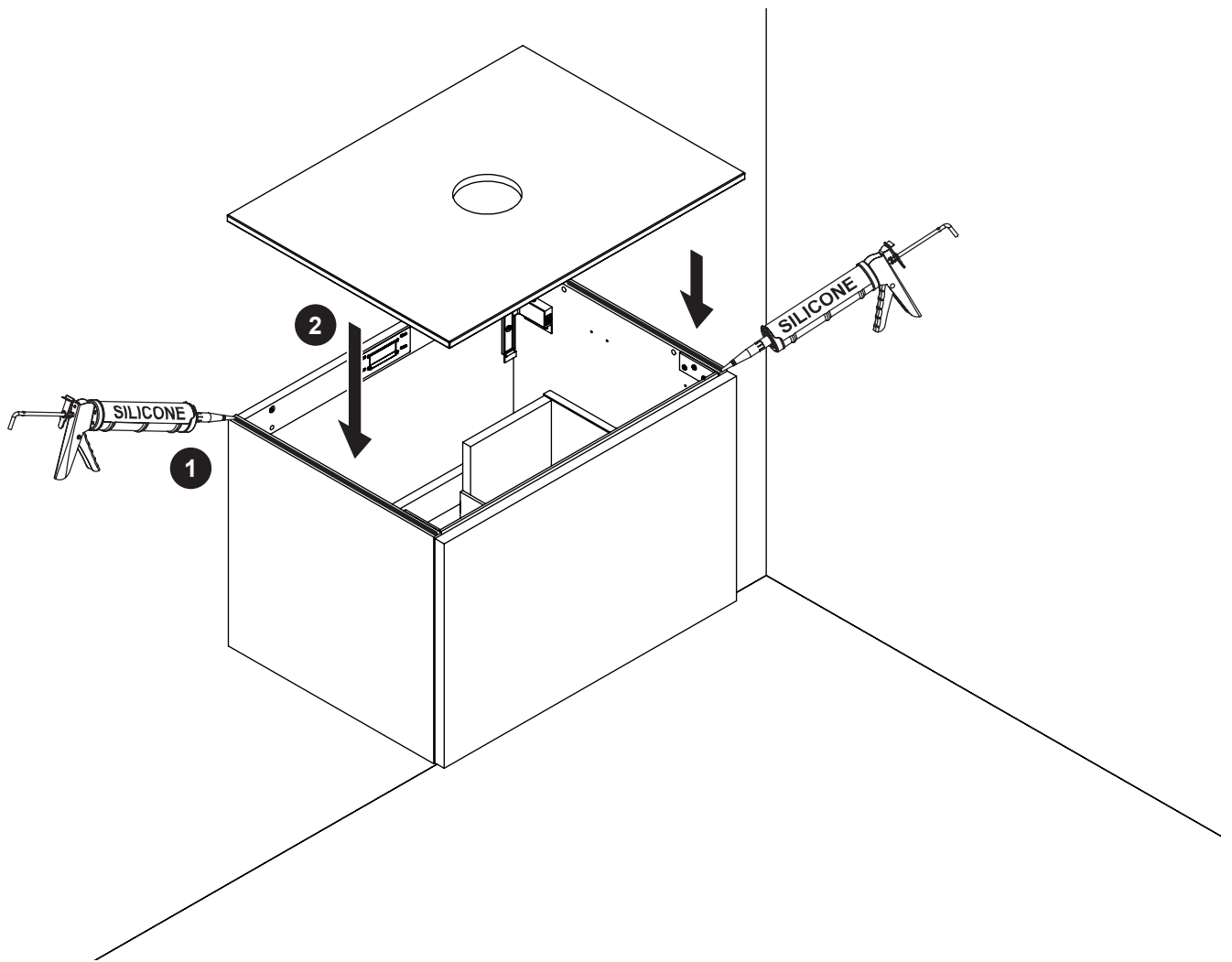
21



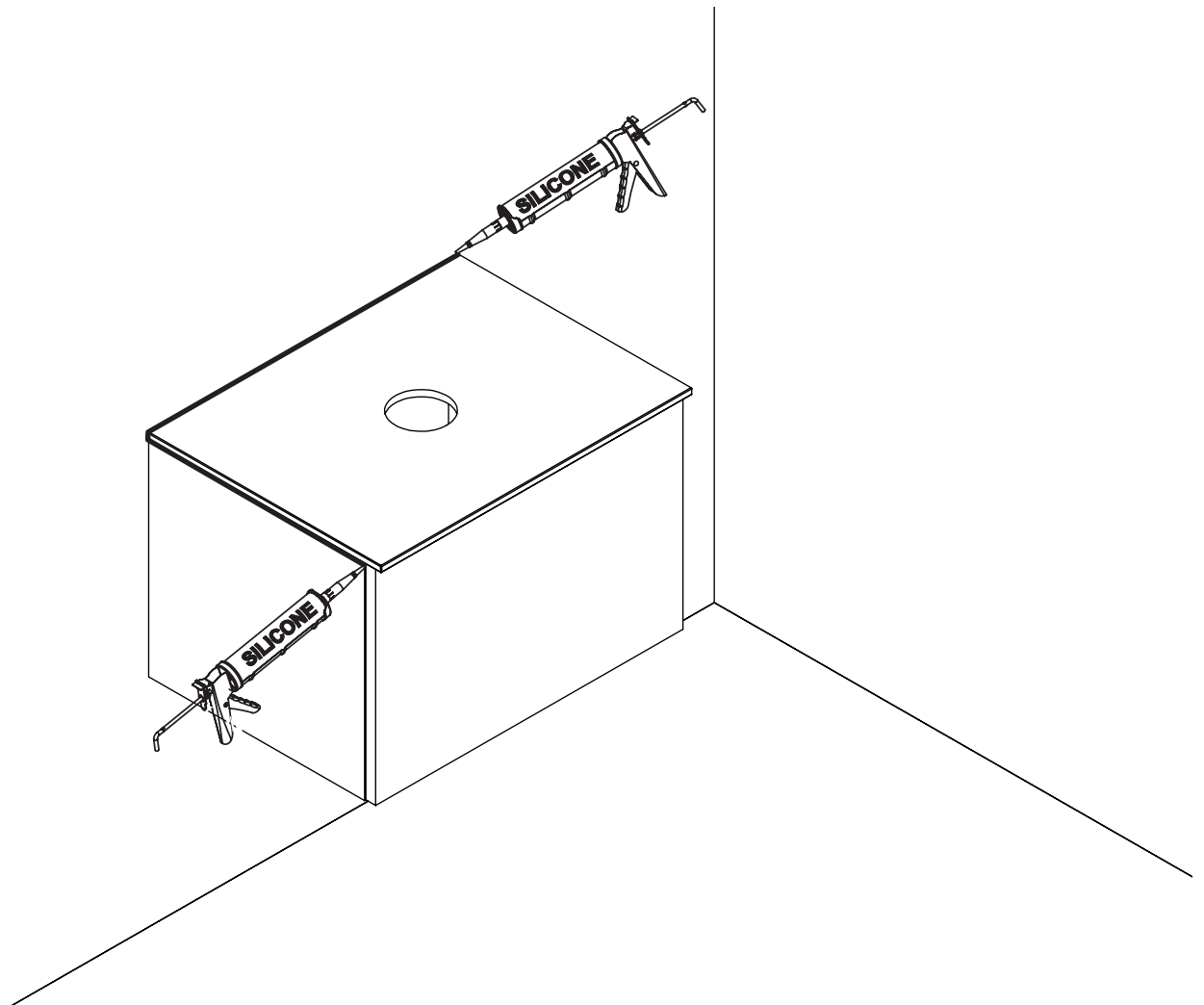
22



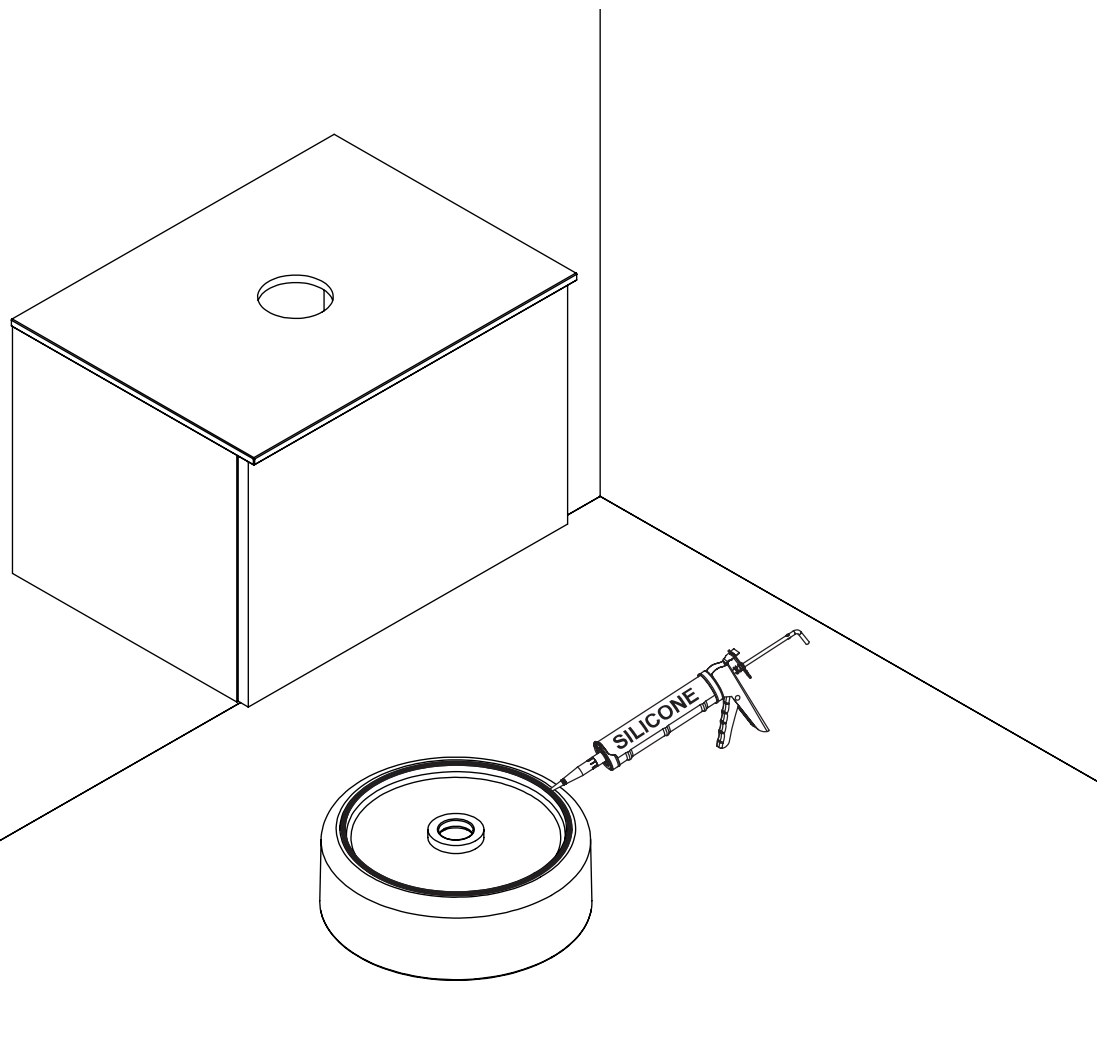
23



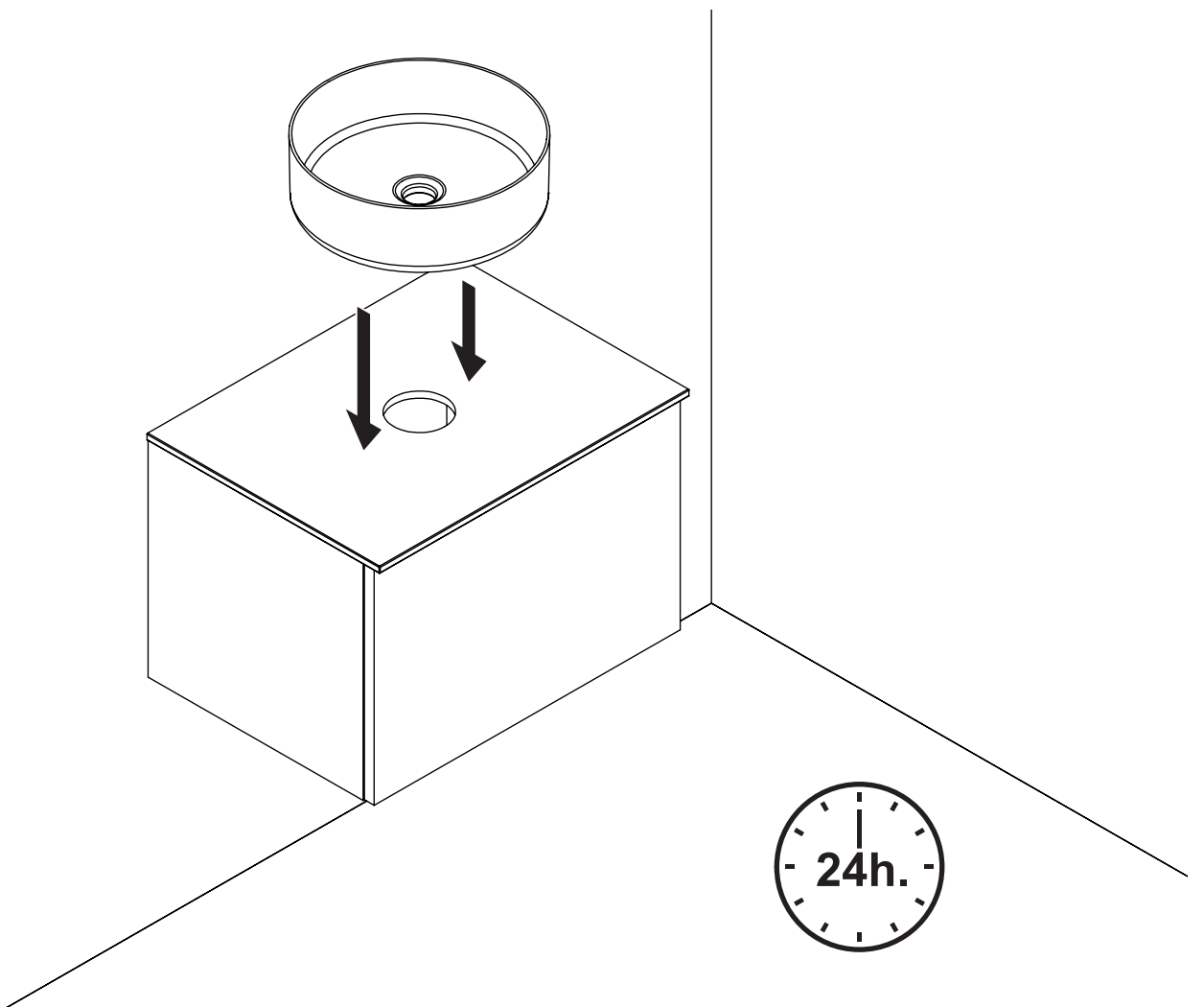
24



25



26



Dansani A/S
Finlandsvej 8
DK-6100 Haderslev
Tel.: +45 73 22 29 00
Mail: mail@dansani.dk

www.dansani.com www.scanbad.com



No. 1481 250107 Rev. 02