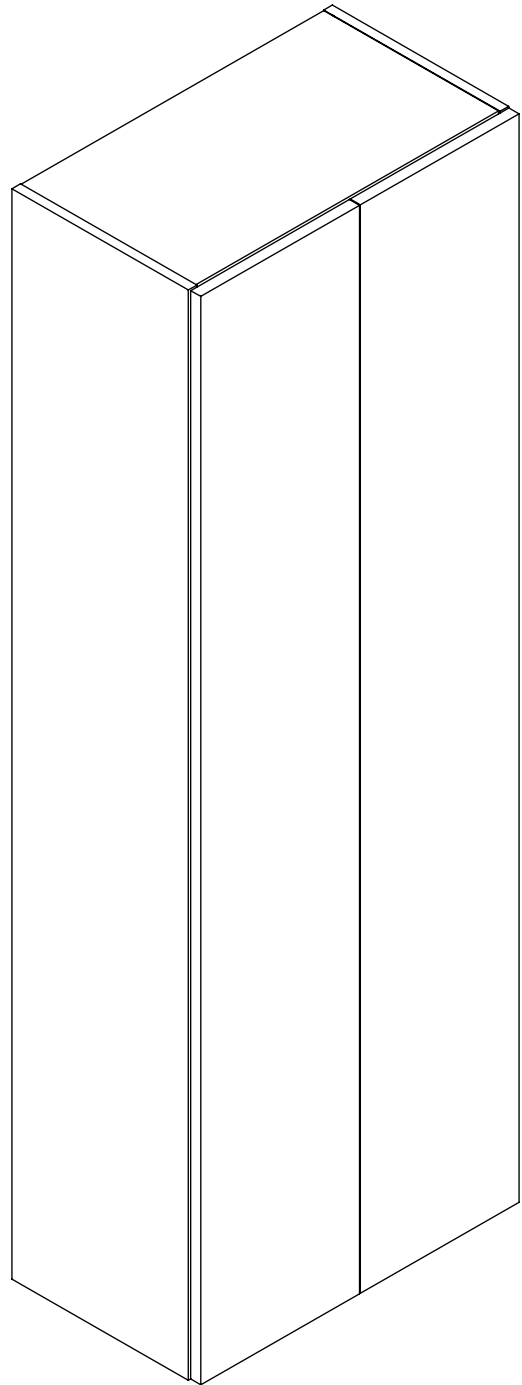
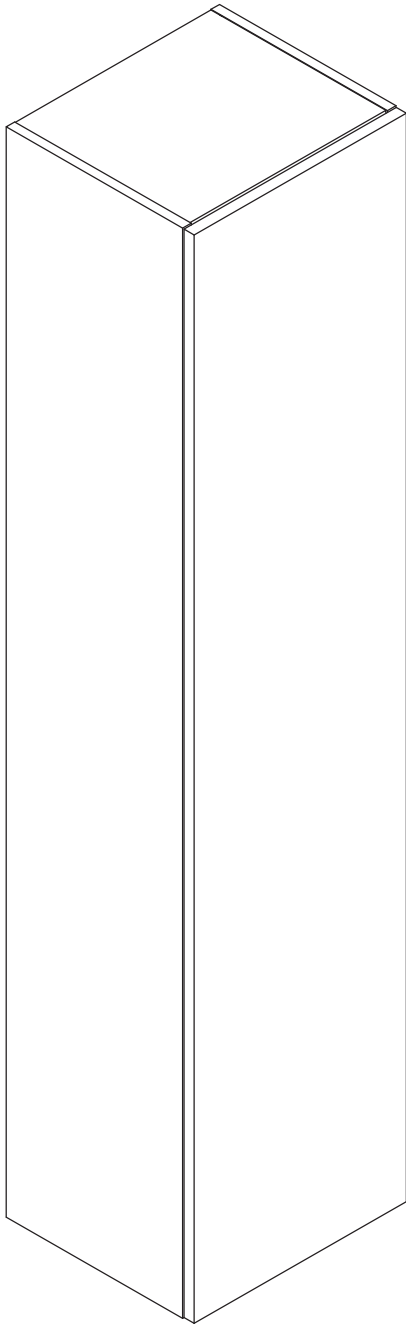
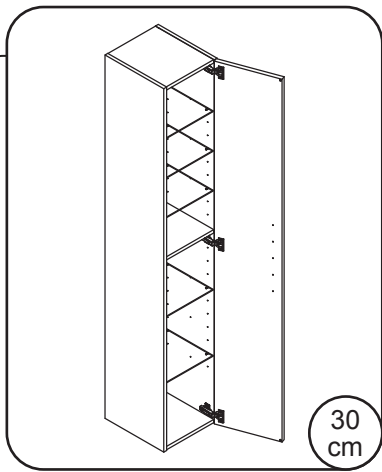




**DANSANI**  
DANISH BATHROOM DESIGN





6x  
5-500



6x  
5,0-60SU



6x  
390010067



3x  
3,5-20SU



3x  
390010110



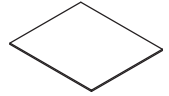
2x  
19500000



20x  
415533



1x  
546730000



5x  
820831501



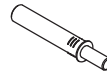
1x  
190320150



2x  
4,0-16LH



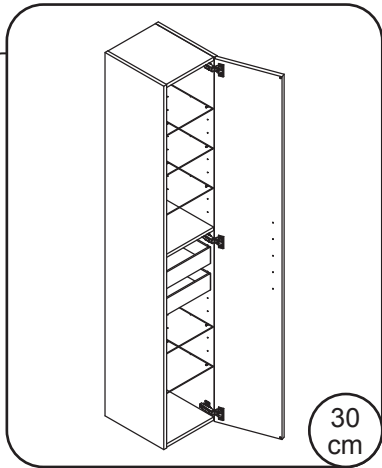
1x  
190320152



1x  
190320154-2



1x  
190320154-3



6x  
5-500



6x  
5,0-60SU



6x  
390010067



3x  
3,5-20SU



3x  
390010110



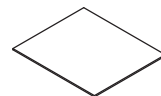
2x  
19500000



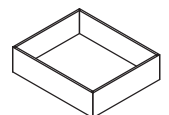
20x  
415533



1x  
546730000



5x  
820831501



2x  
616100116



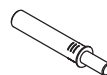
1x  
190320150



2x  
4,0-16LH



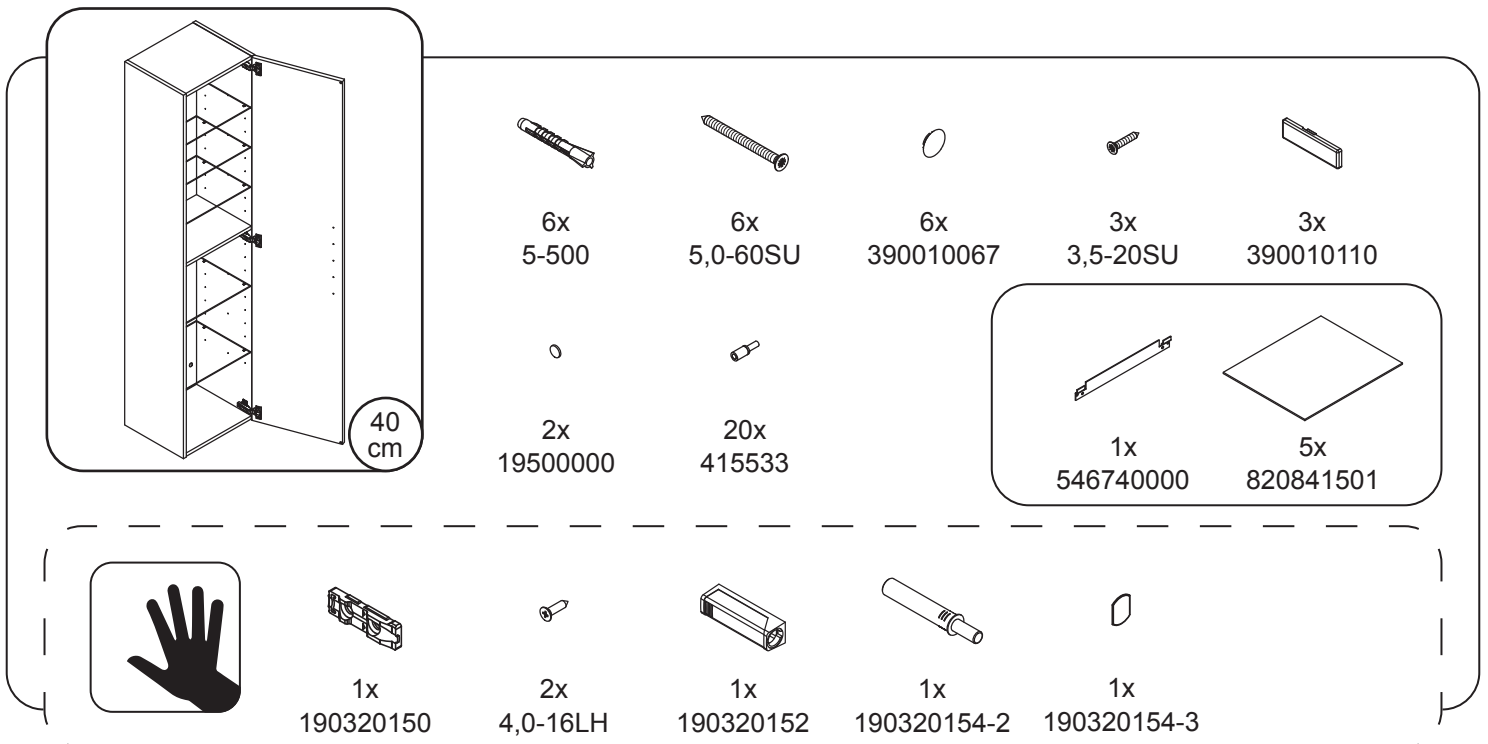
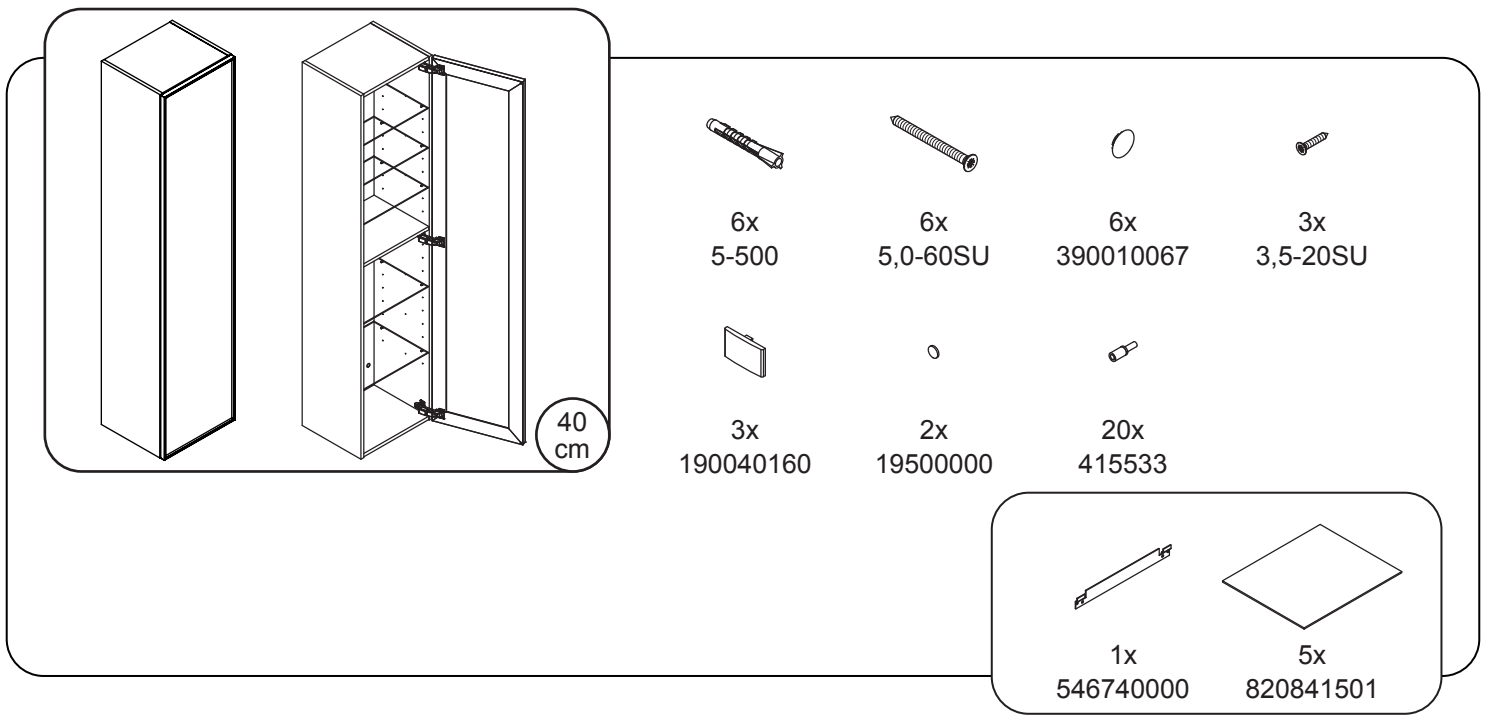
1x  
190320152

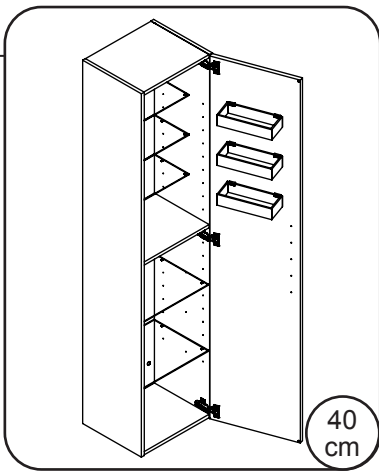



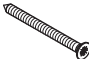


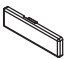


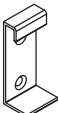

1x  
190320154-2

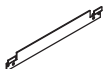
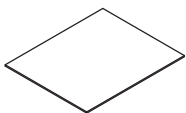
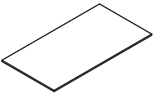
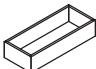


1x  
190320154-3

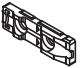

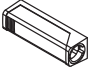
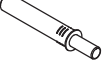



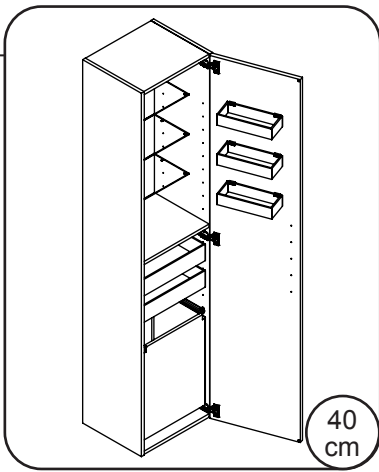



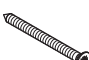


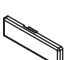


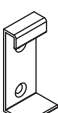

- |   |   |  |   |   |
|---|---|--|---|---|
|  |  |  |  |  |
| 6x<br>5-500   | 6x<br>5,0-60SU  | 6x<br>390010067  | 3x<br>3,5-20SU  | 3x<br>390010110   |
|  |  |  |  |   |
| 2x<br>19500000  | 20x<br>415533   | 6x<br>545600147  | 12x<br>4,0-15SU   |   |

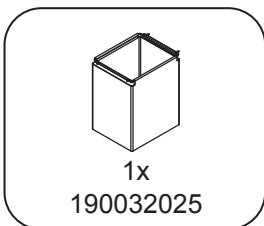
- |   |  |   |   |
|---|--|---|---|
|  |  |  |  |
| 1x<br>546740000   | 2x<br>820841501  | 3x<br>820842501   | 3x<br>616010116   |


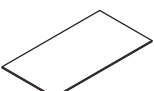
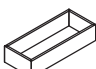
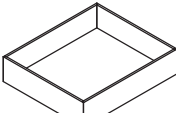


- |   |   |   |  |   |
|---|---|---|--|---|
|  |  |  |  |  |
| 1x<br>190320150   | 2x<br>4,0-16LH  | 1x<br>190320152   | 1x<br>190320154-2  | 1x<br>190320154-3   |



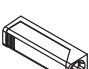




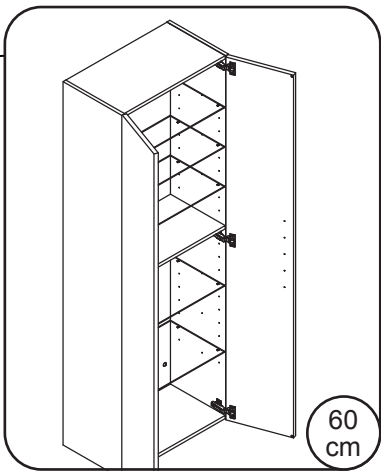
- |   |   |  |   |   |
|---|---|--|---|---|
|  |  |  |  |  |
| 6x<br>5-500   | 6x<br>5,0-60SU  | 6x<br>390010067  | 3x<br>3,5-20SU  | 3x<br>390010110   |
|  |  |  |  |   |
| 2x<br>19500000  | 20x<br>415533   | 6x<br>545600147  | 12x<br>4,0-15SU   |   |



- |   |  |   |   |
|---|--|---|---|
|  |  |  |  |
| 1x<br>546740000   | 3x<br>820842501  | 3x<br>616010116   | 2x<br>616100216   |



- |   |   |   |  |   |
|---|---|---|--|---|
|  |  |  |  |  |
| 1x<br>190320150   | 2x<br>4,0-16LH  | 1x<br>190320152   | 1x<br>190320154-2  | 1x<br>190320154-3   |



6x  
5-500



6x  
5,0-60SU



6x  
390010067



6x  
3,5-20SU



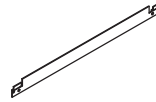
6x  
390010110



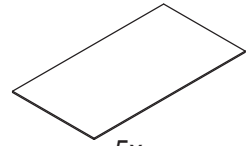
4x  
19500000



20x  
415533



1x  
546760000



5x  
820862501



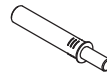
2x  
190320150



4x  
4,0-16LH



2x  
190320152

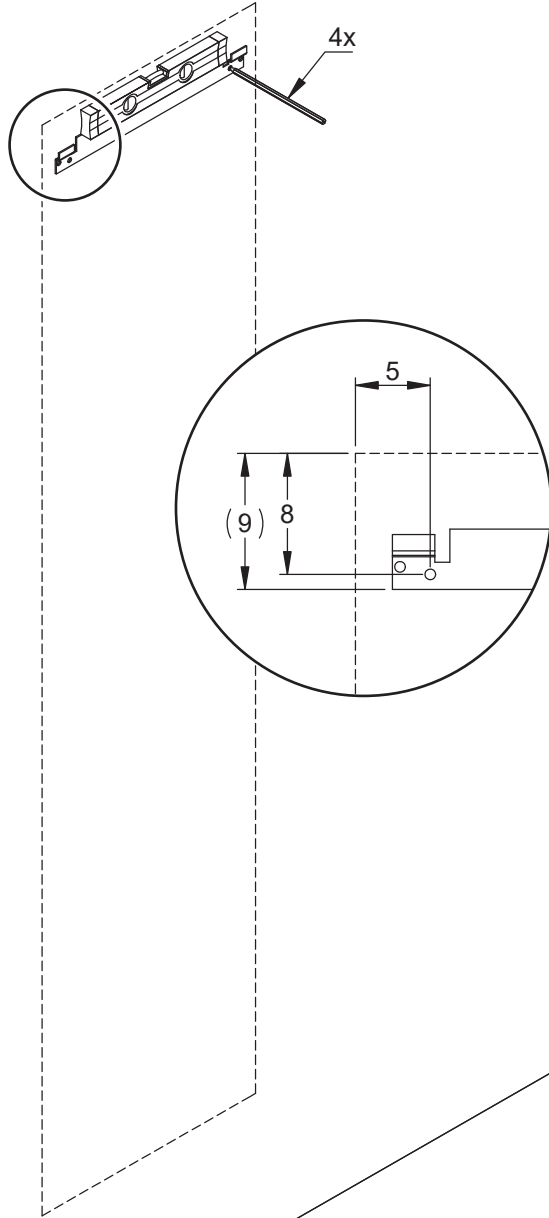


2x  
190320154-2






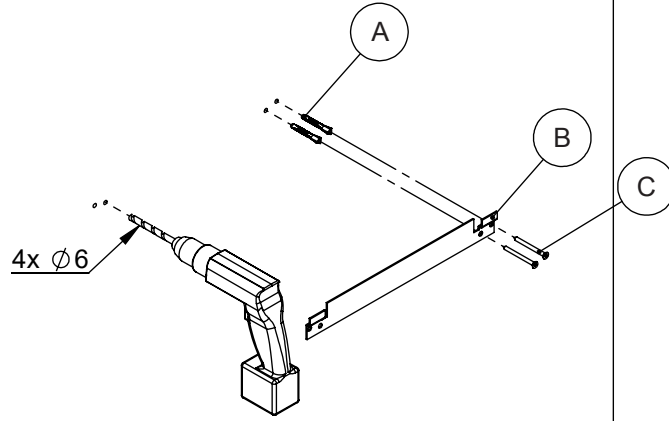
2x  
190320154-3

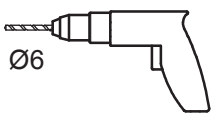



1



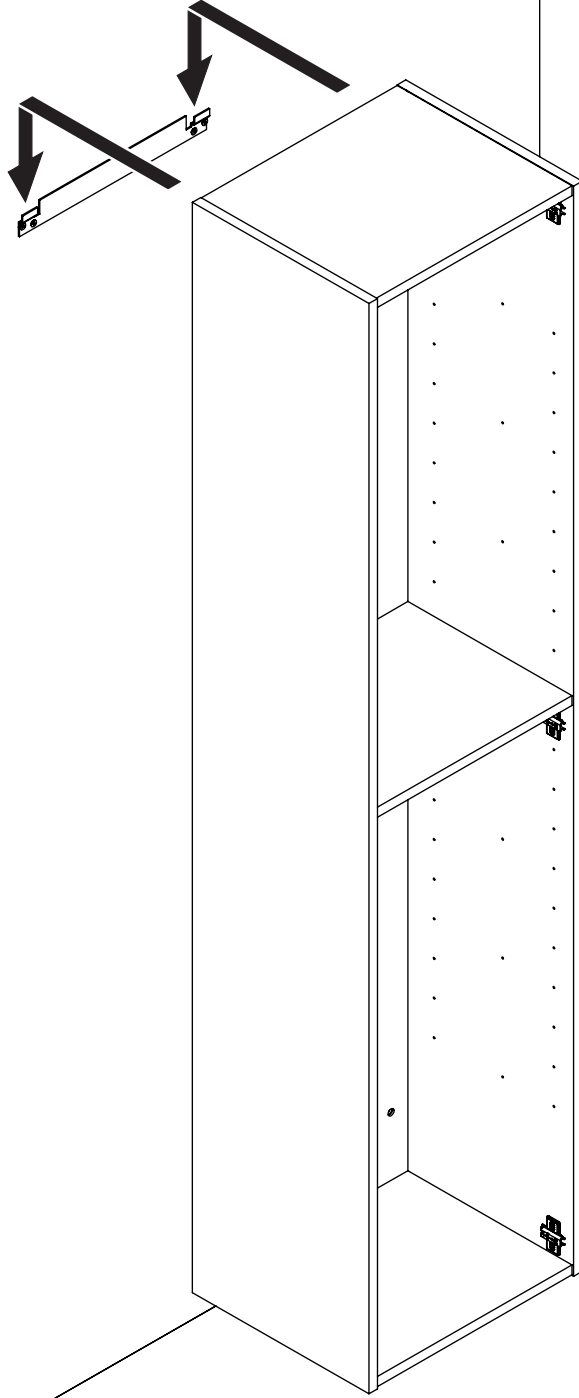
# 2

		
4x 5-500	1x 5467x0000	4x 5,0-60SU



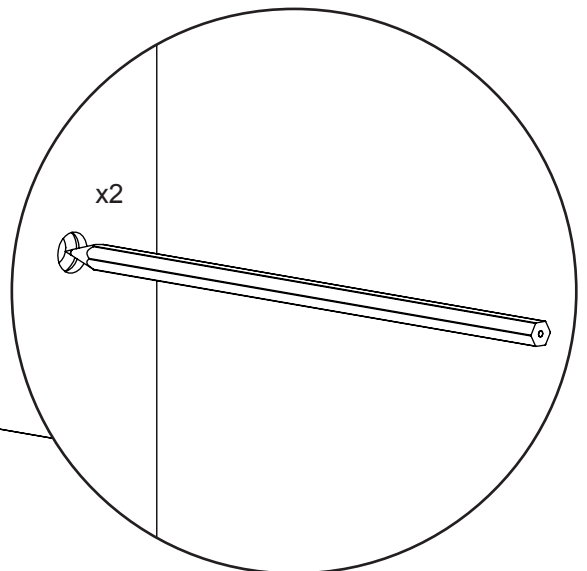
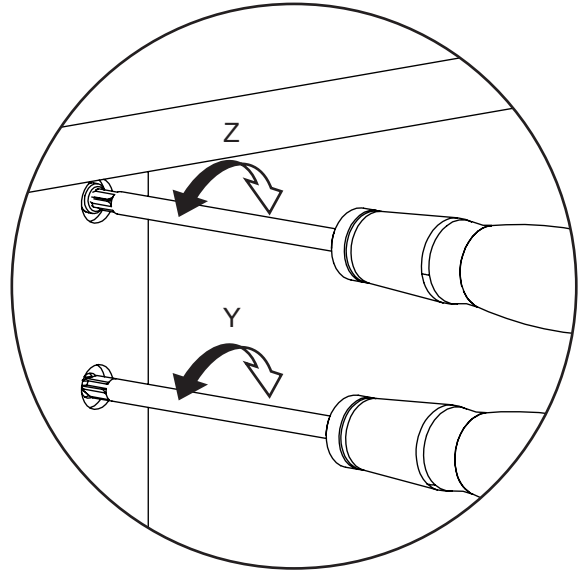
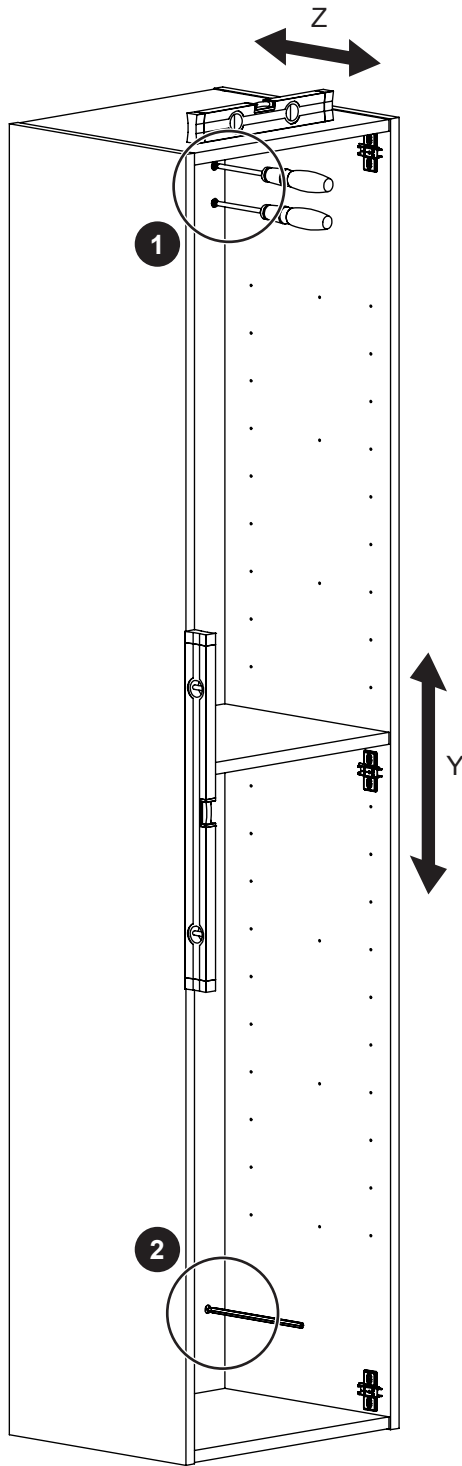
1	
	Ø6
2	
3	
4	

3

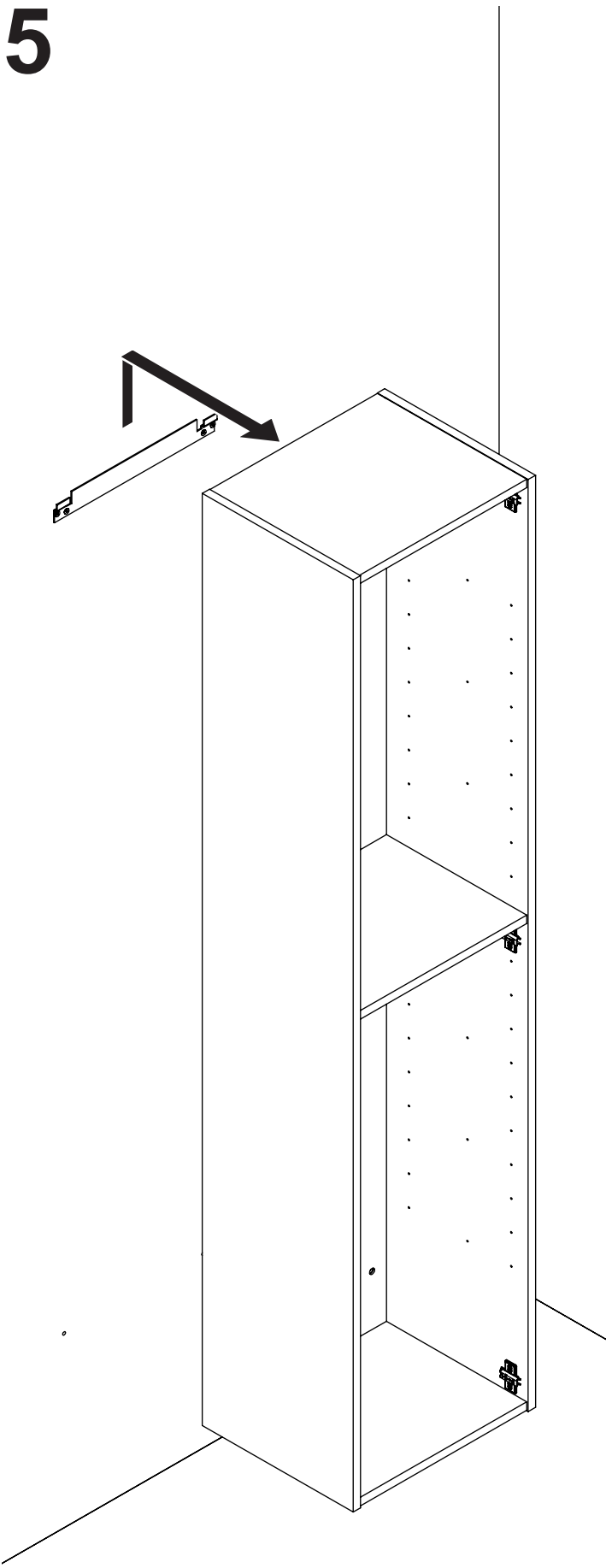




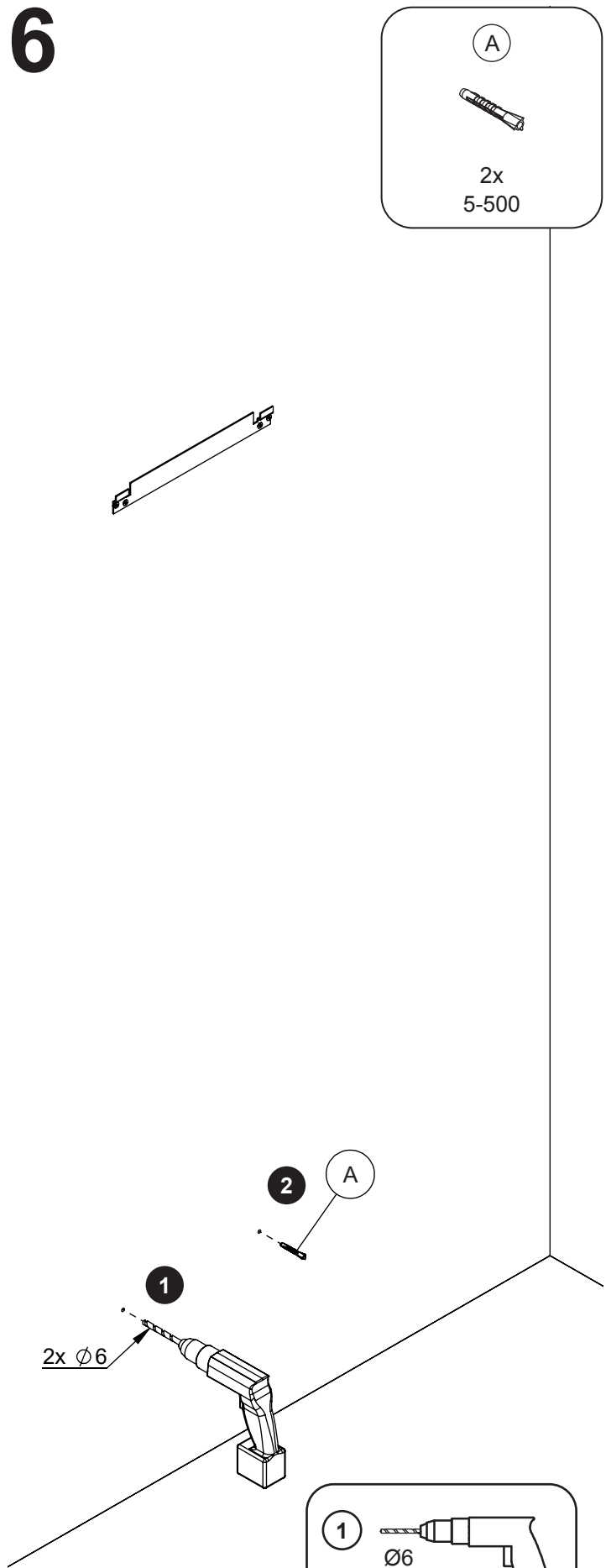
4




5



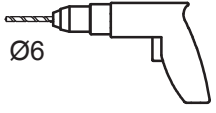
6





(A)




2x  
5-500

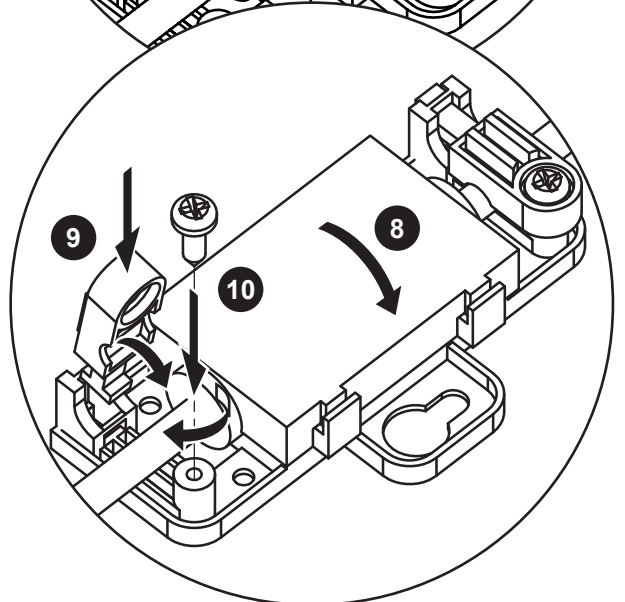
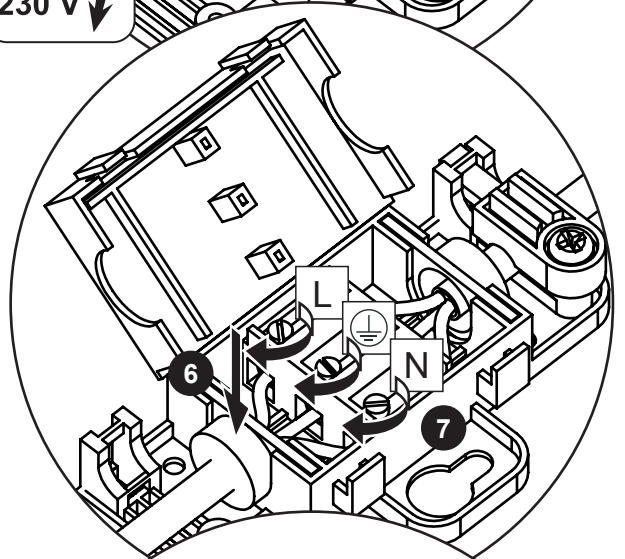
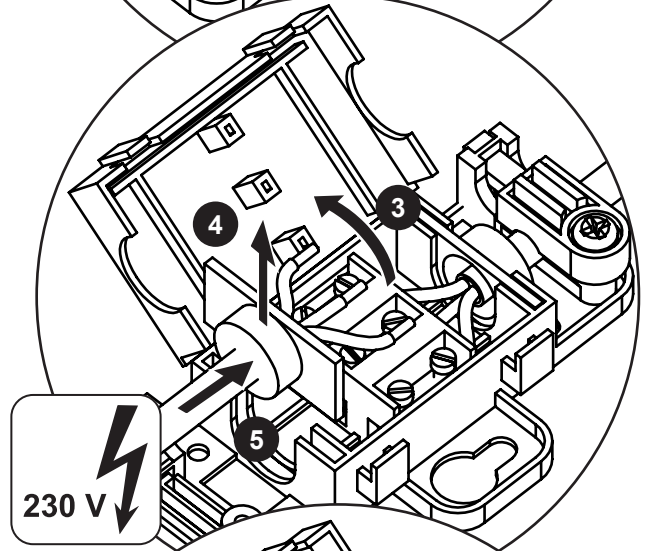
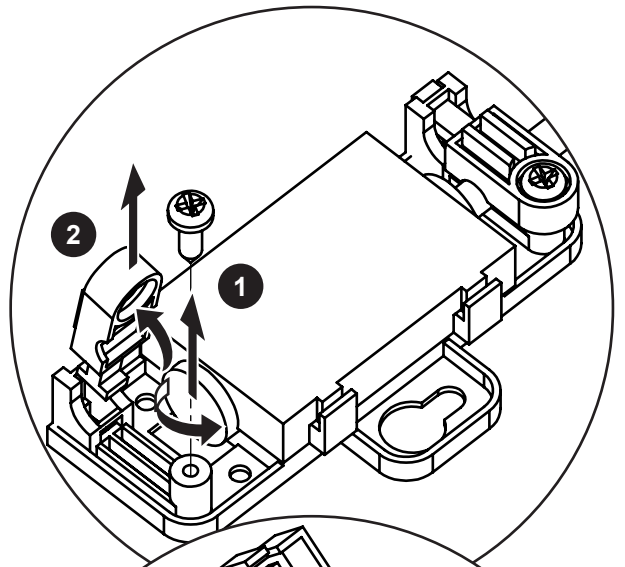
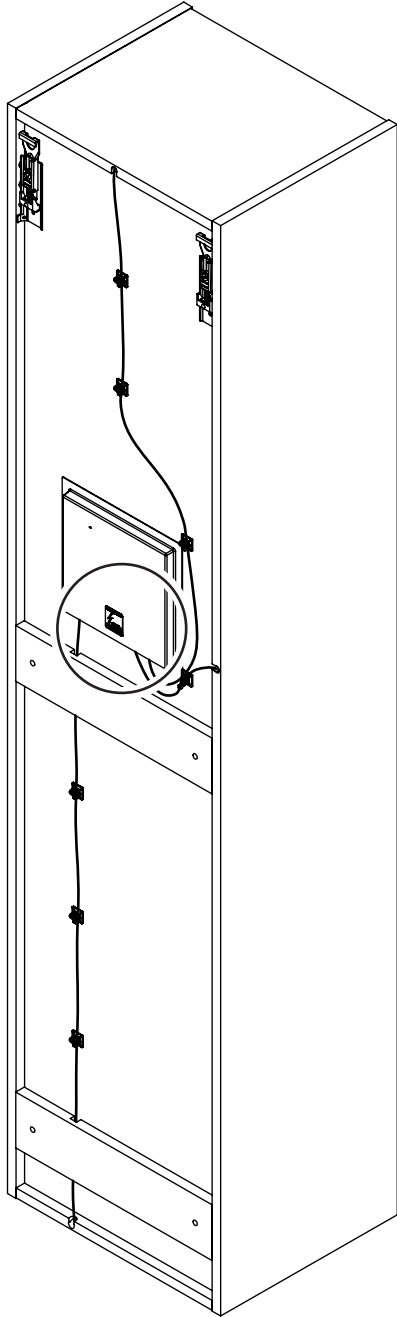
1  Ø6

2  SILICONE

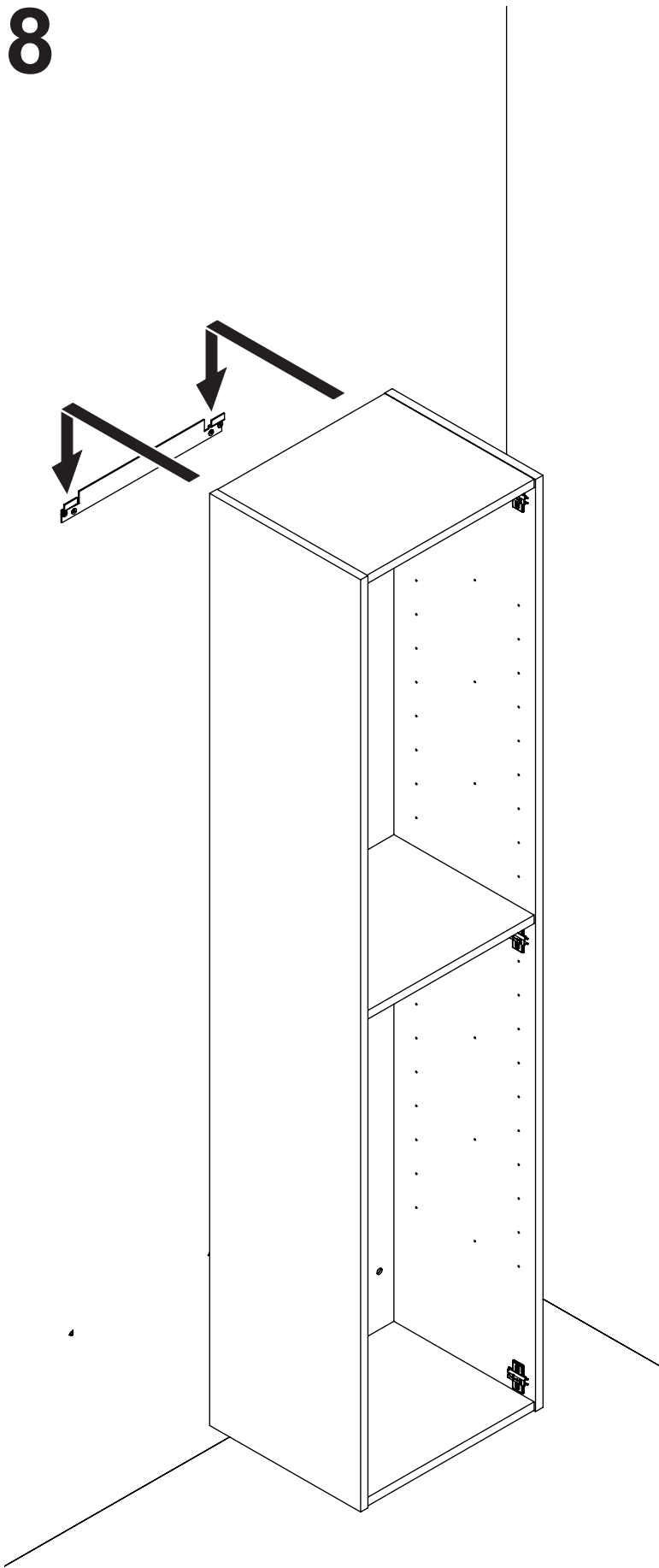
3  (A)

4  SILICONE

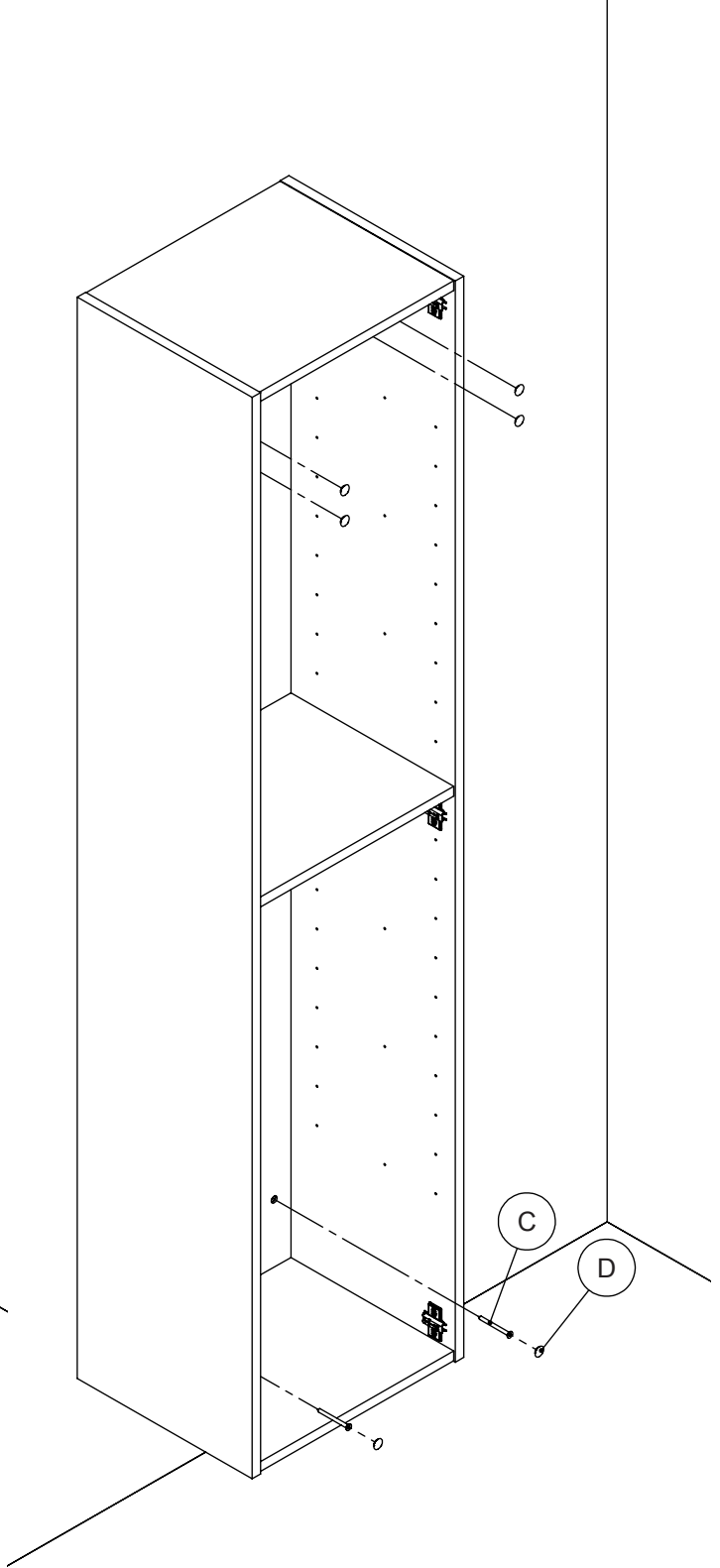
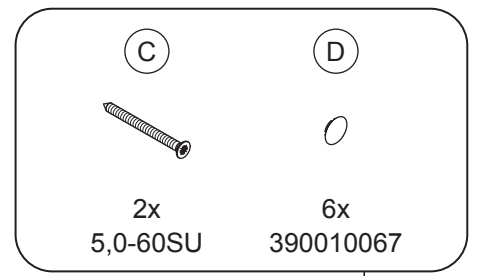
# 7



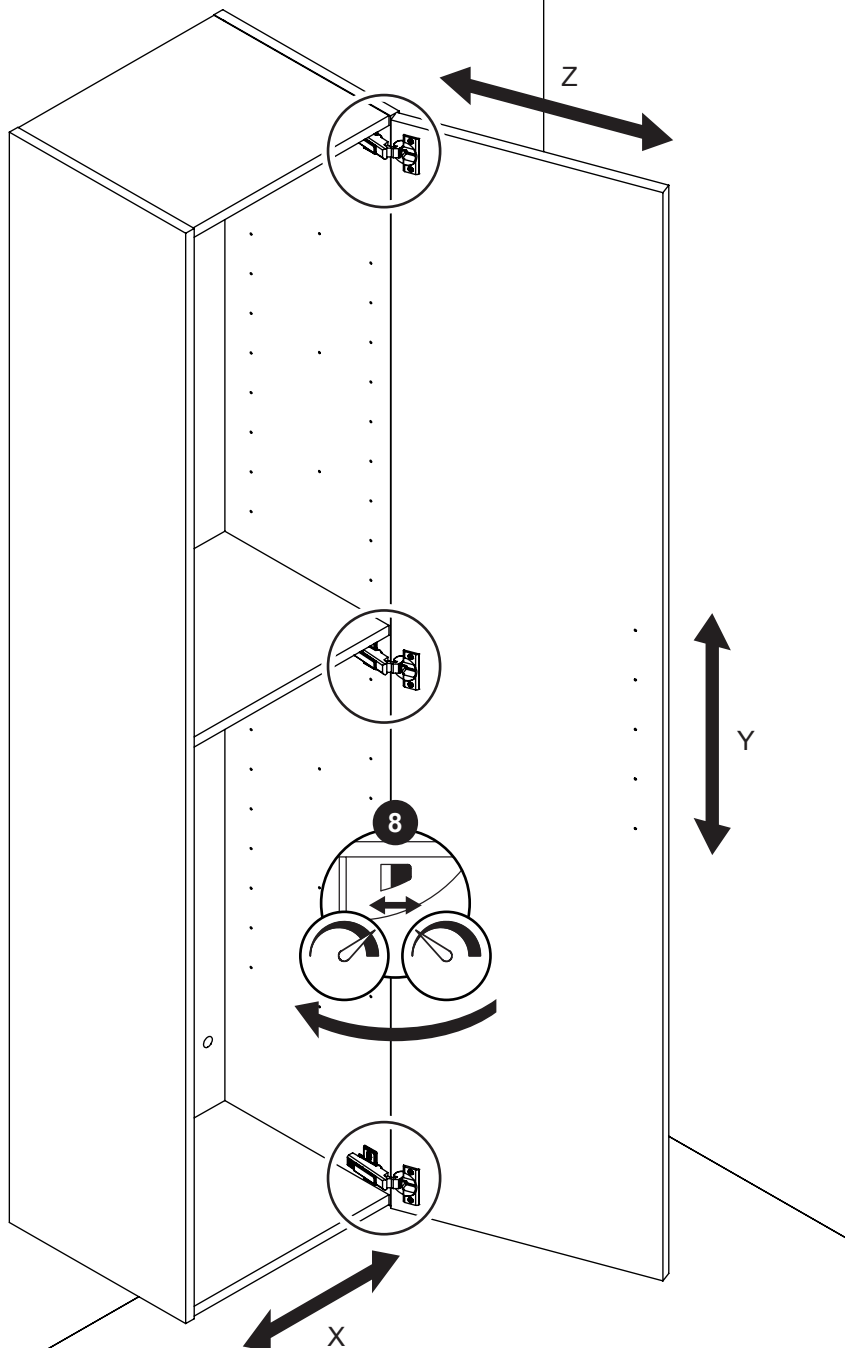
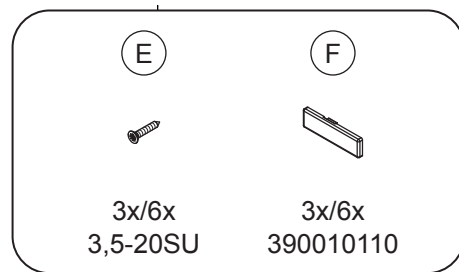
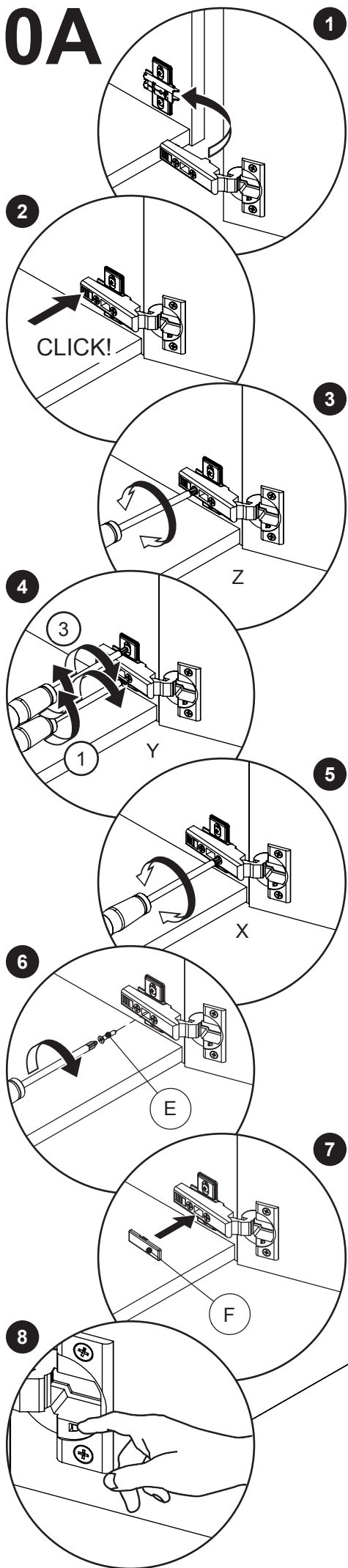
8



9



# 10A

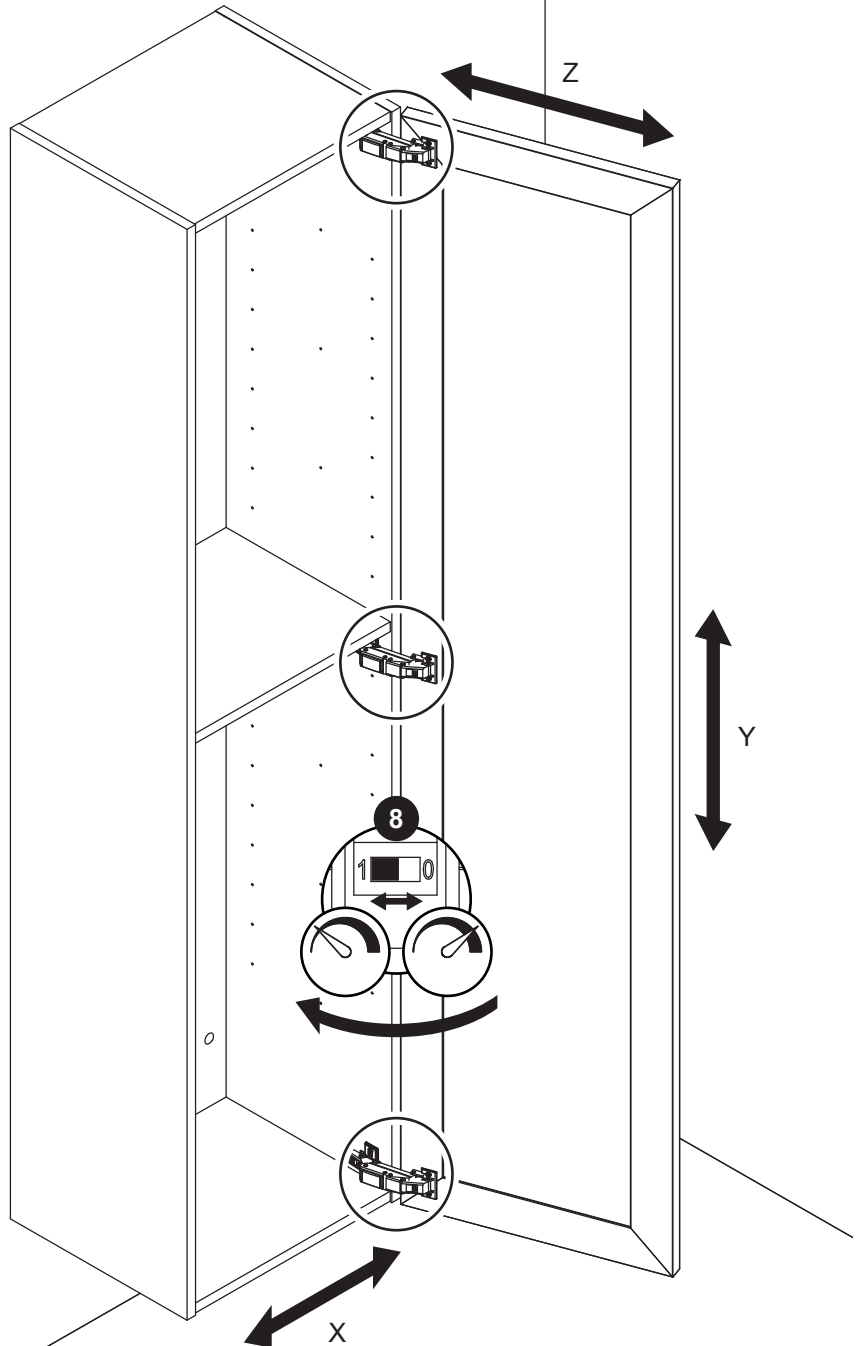
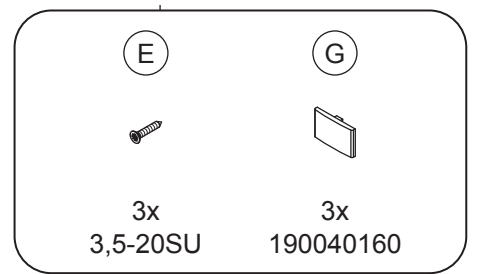
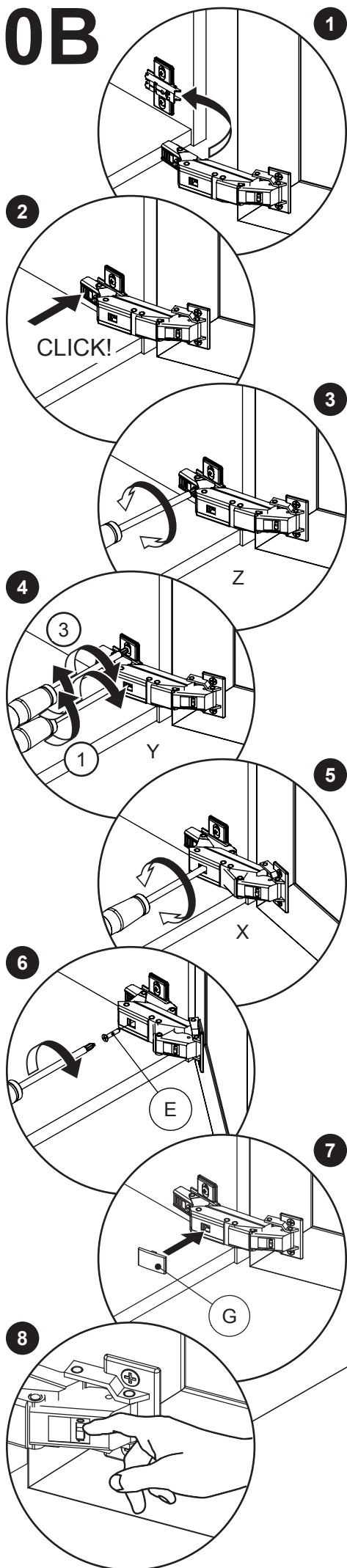


→ 11








→ 12

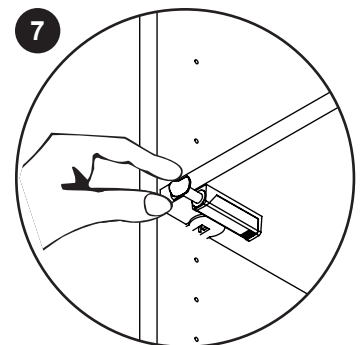
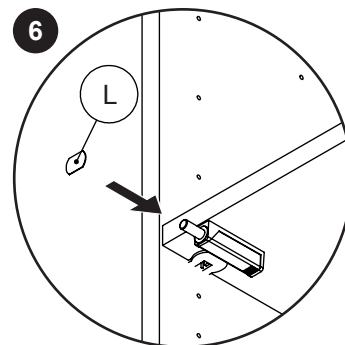
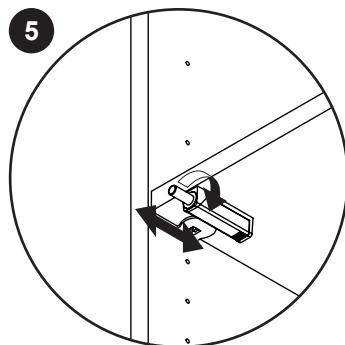
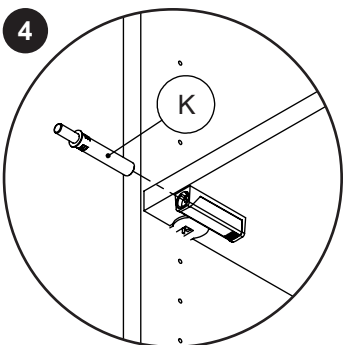
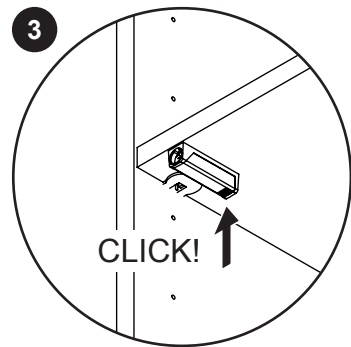
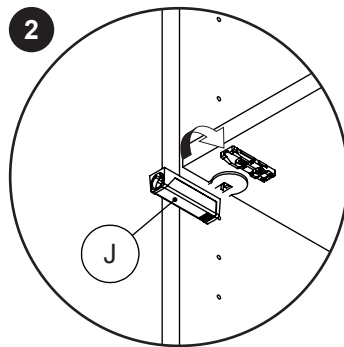
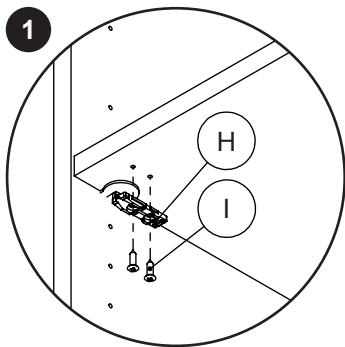
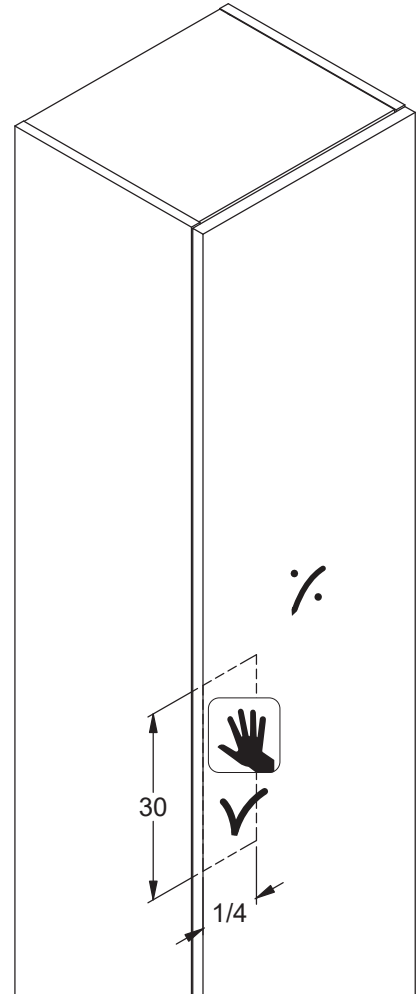
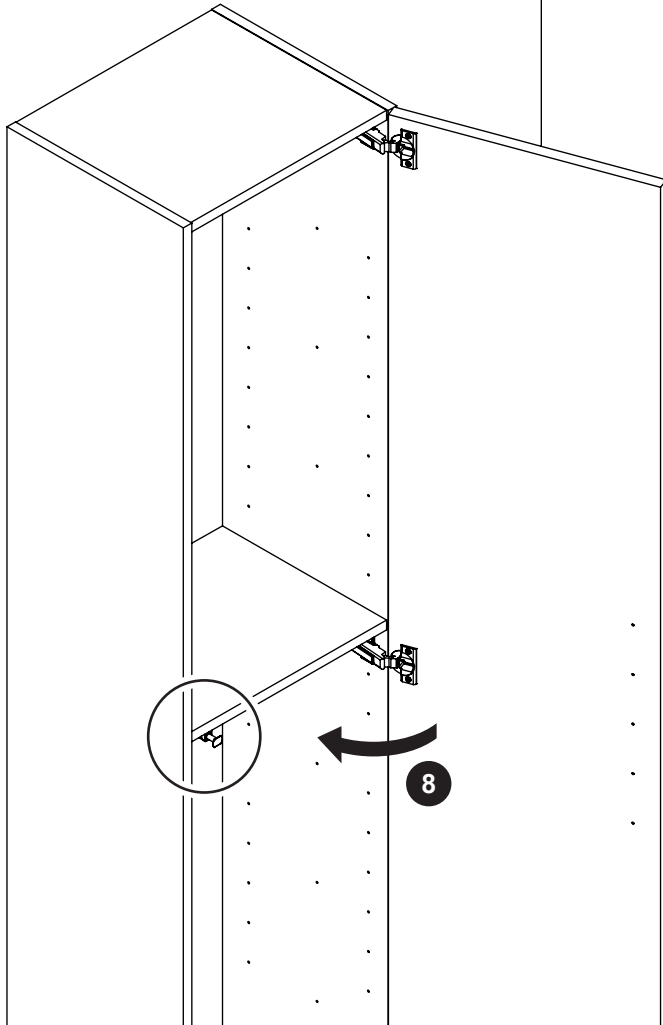
# 10B



# 11A








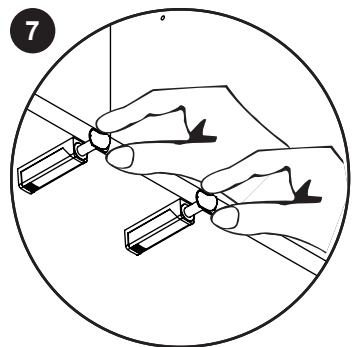
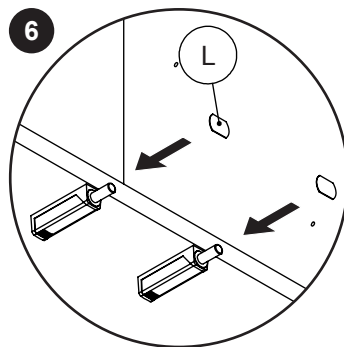
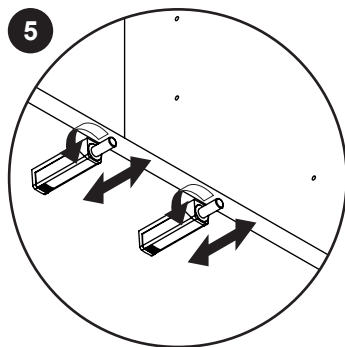
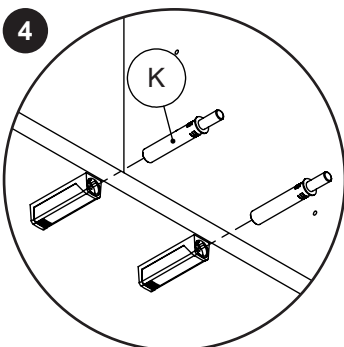
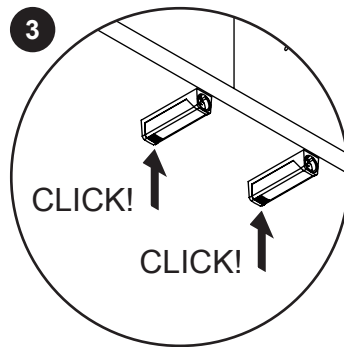
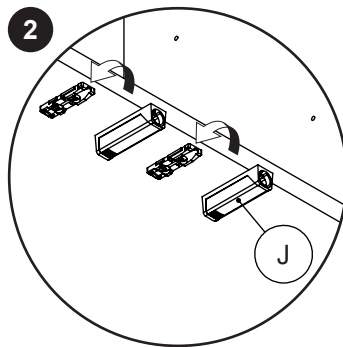
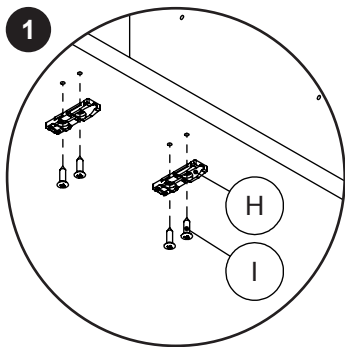
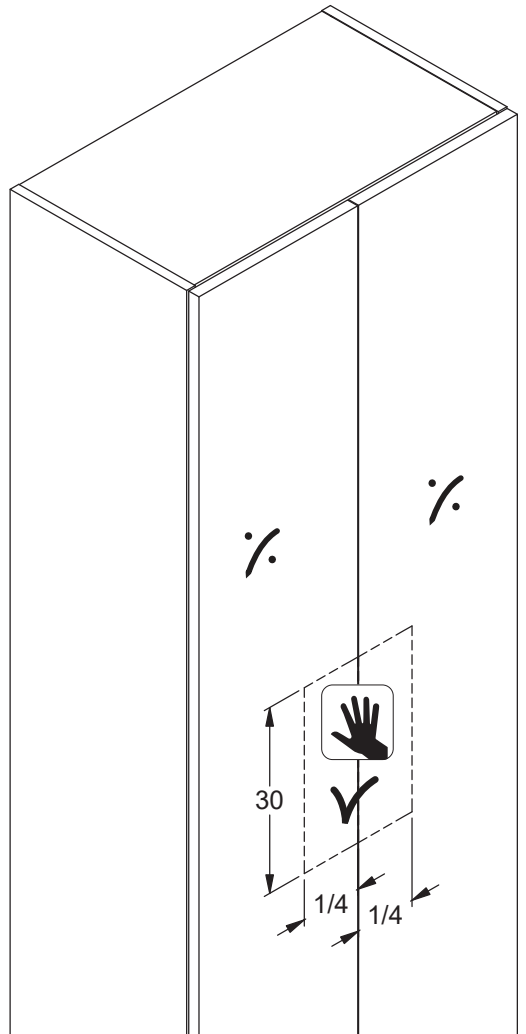
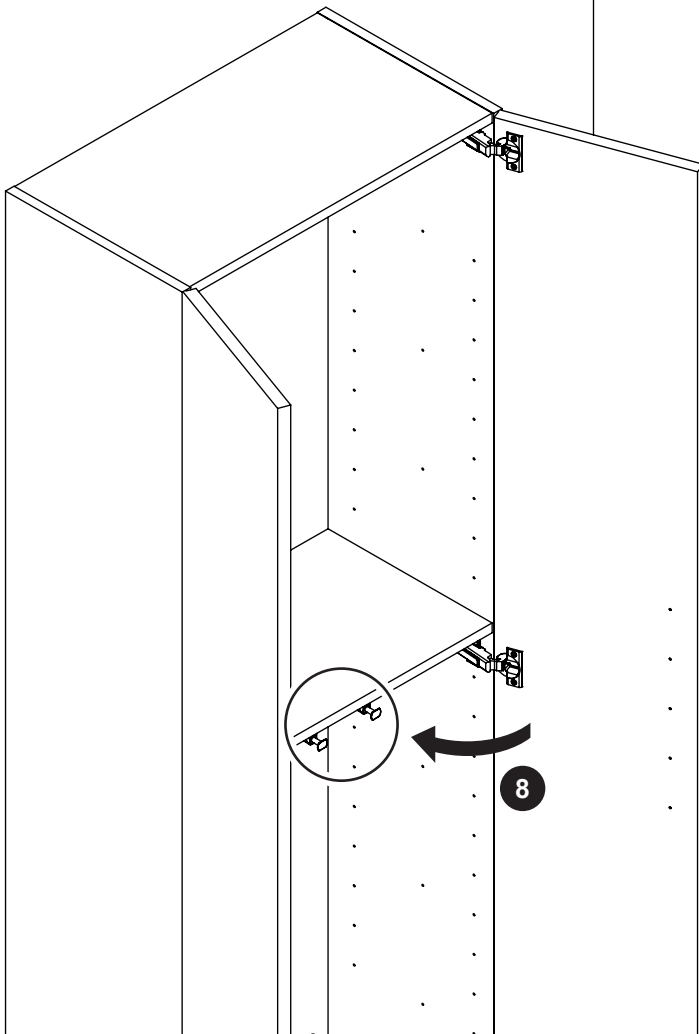
 H	 I	 J	 K	 L
1x 190320150	2x 4,0-16LH	1x 190320152	1x 190320154-2	1x 190320154-3



# 11B

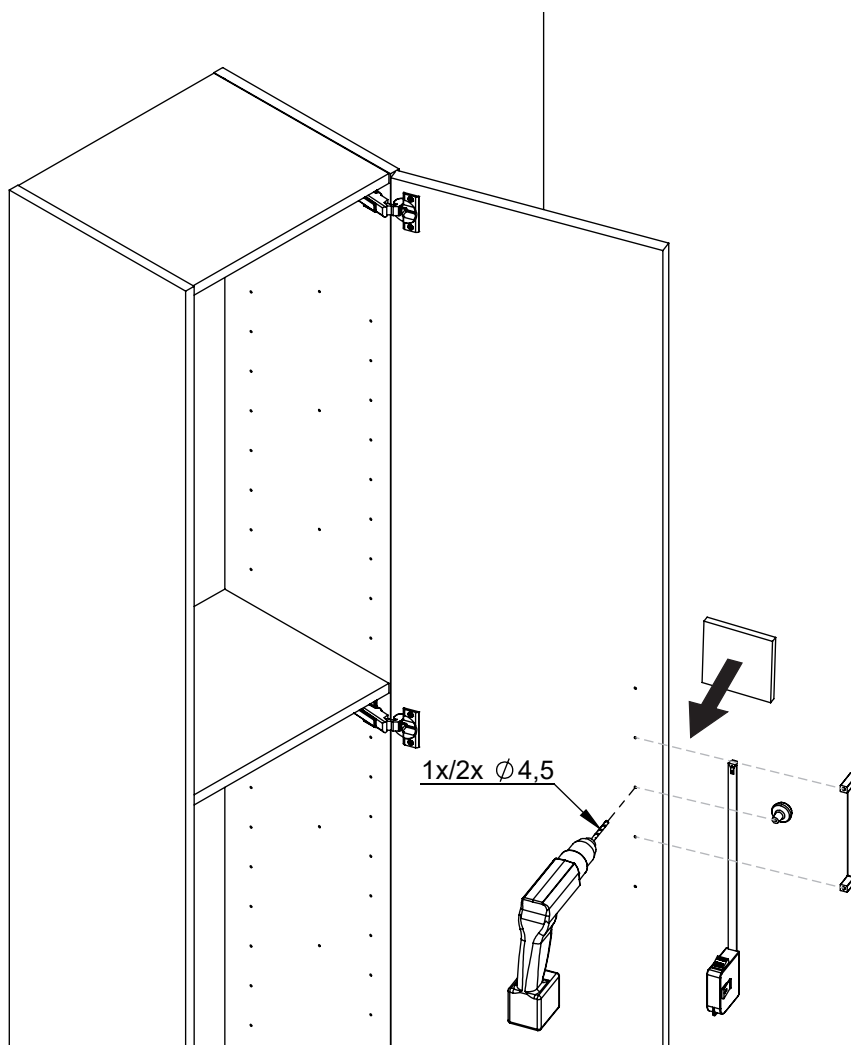
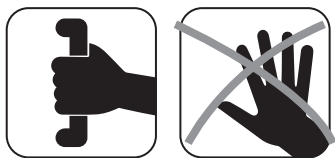


 2x 190320150	 4x 4,0-16LH	 2x 190320152	 2x 190320154-2	 2x 190320154-3
---	--	--	---	---

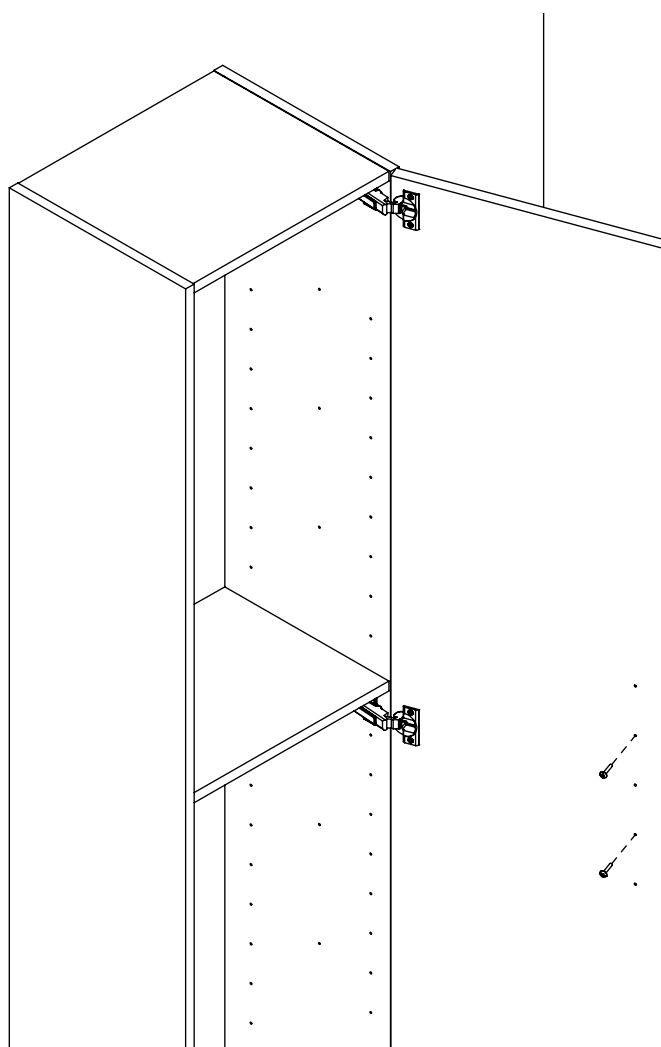
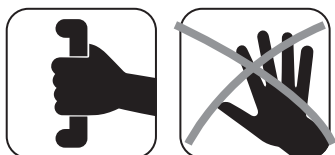




# 12A



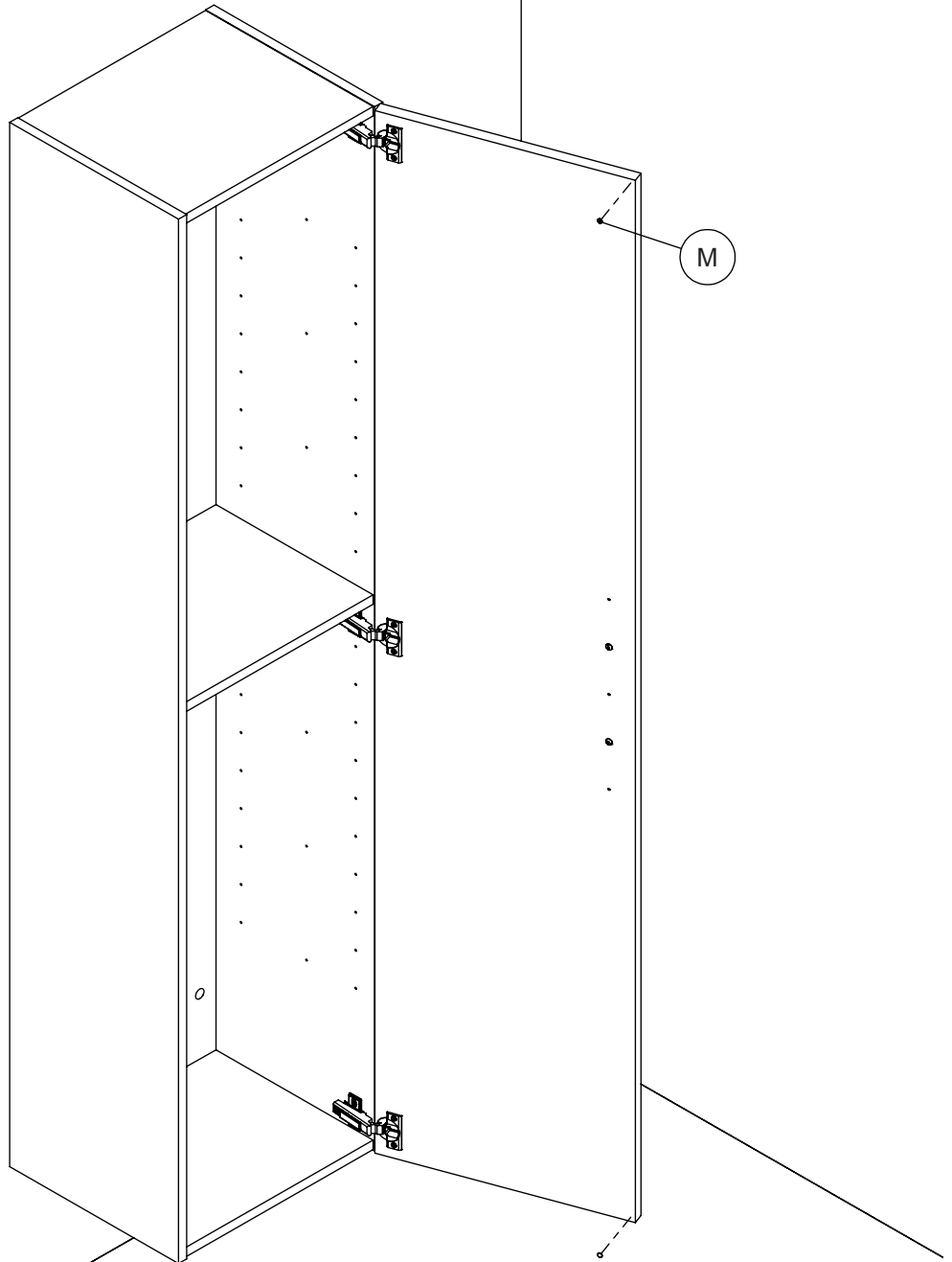
# 12B



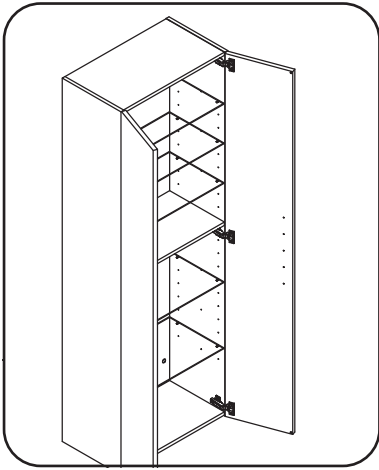
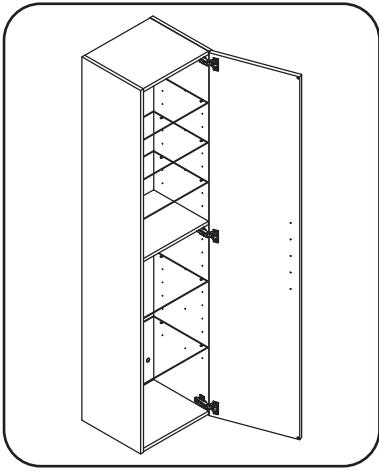
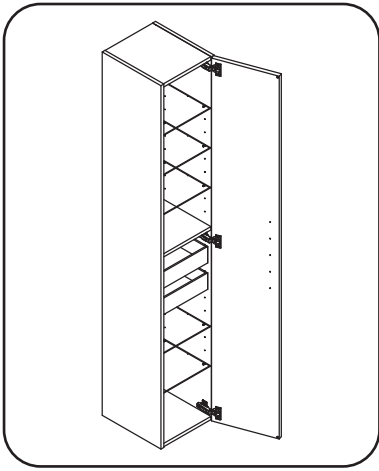
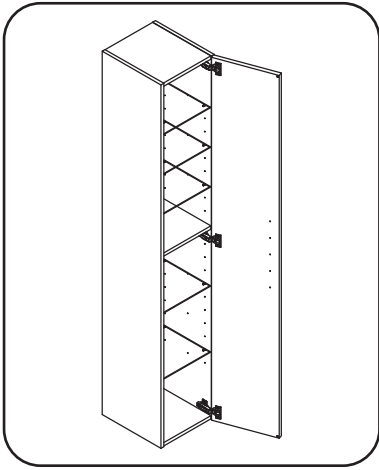
# 13


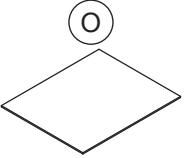


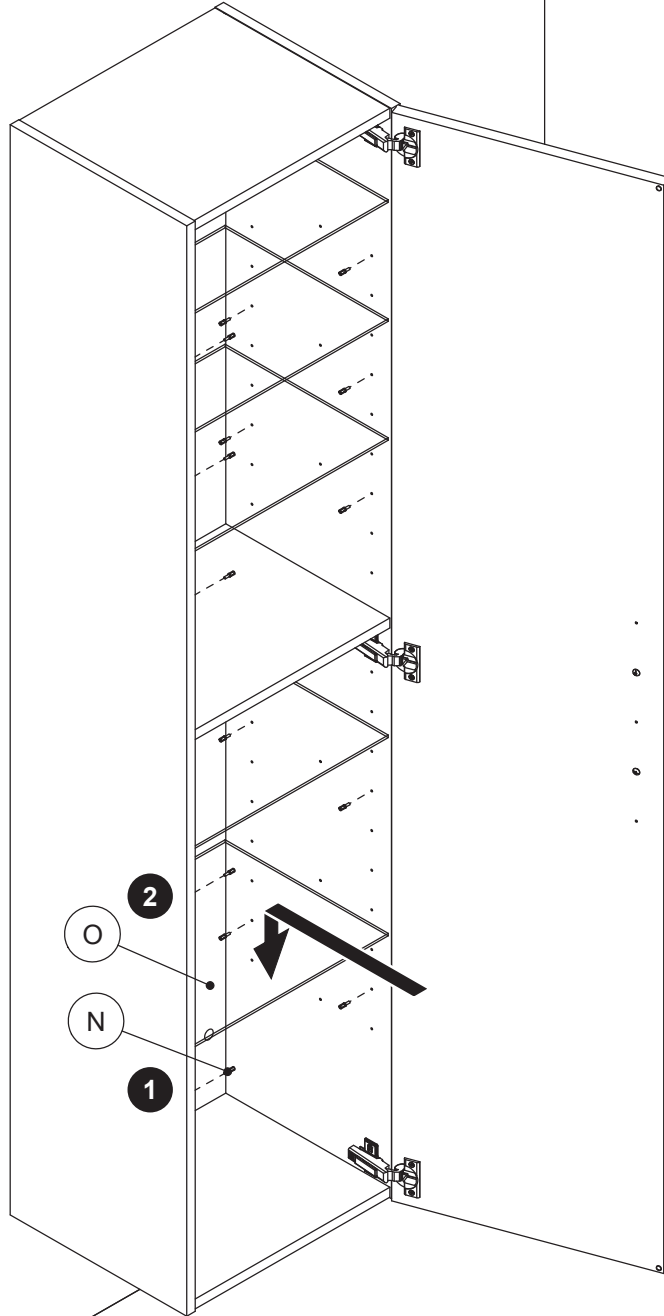
(M)  
o  
2x  
1950000



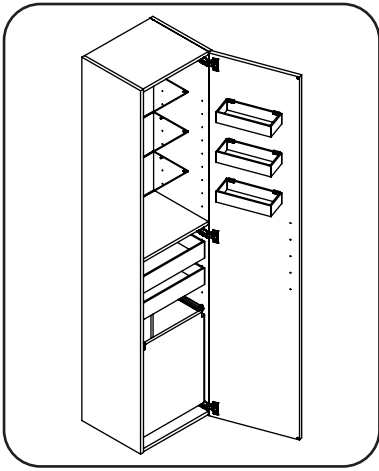
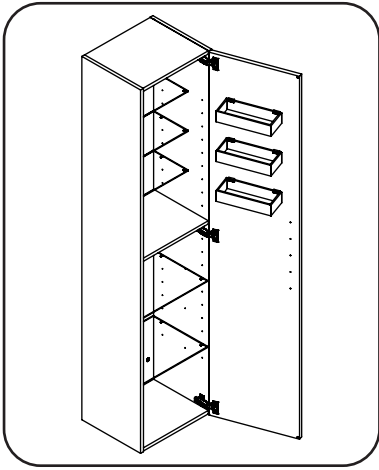
# 14A


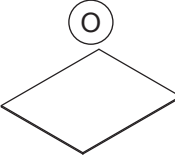
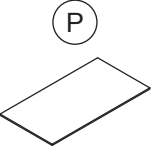


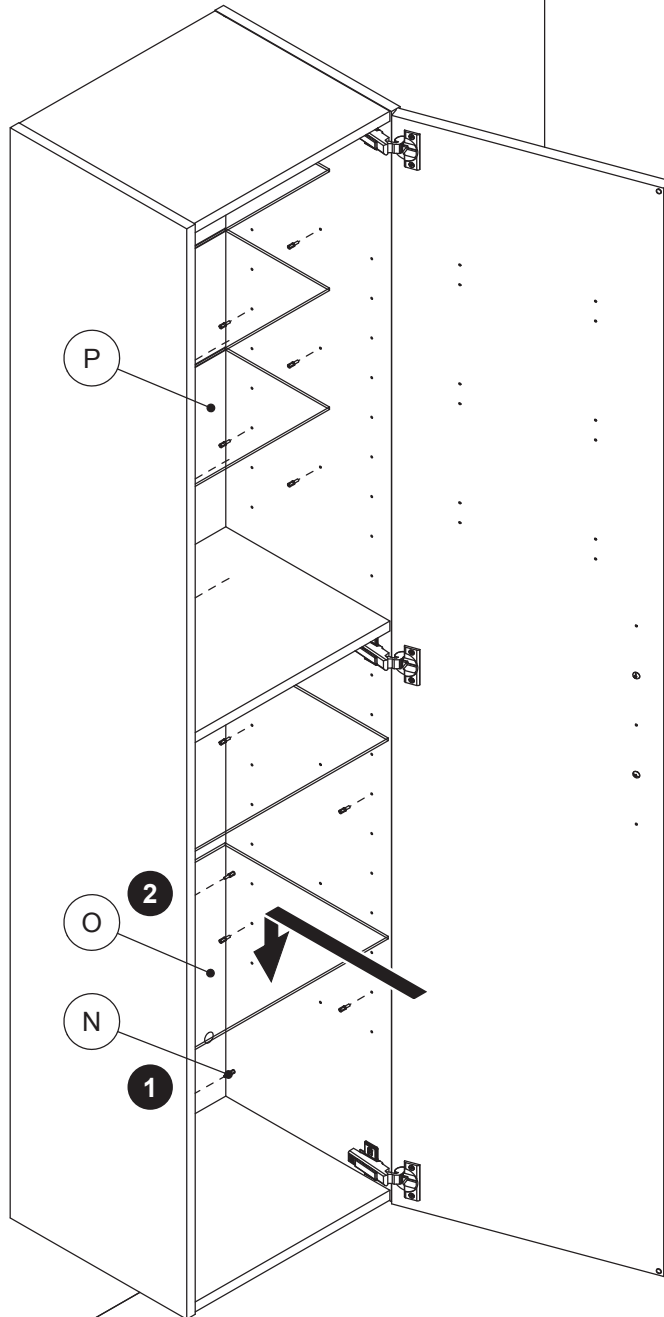
 N	 O
20x 415533	5x 8208x1501



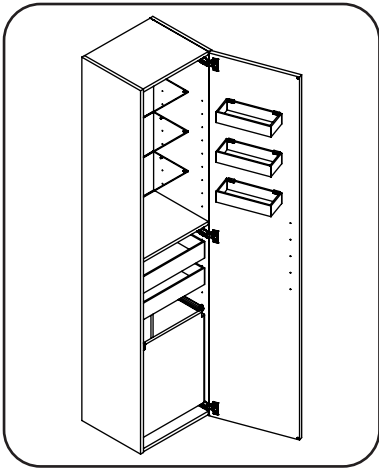
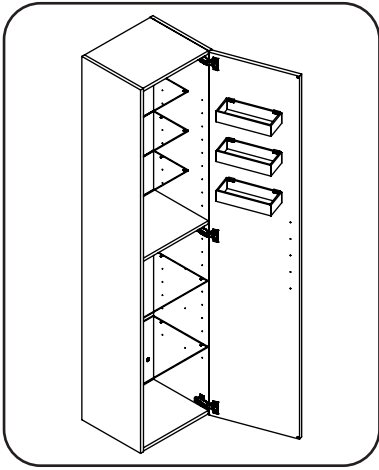
# 14B






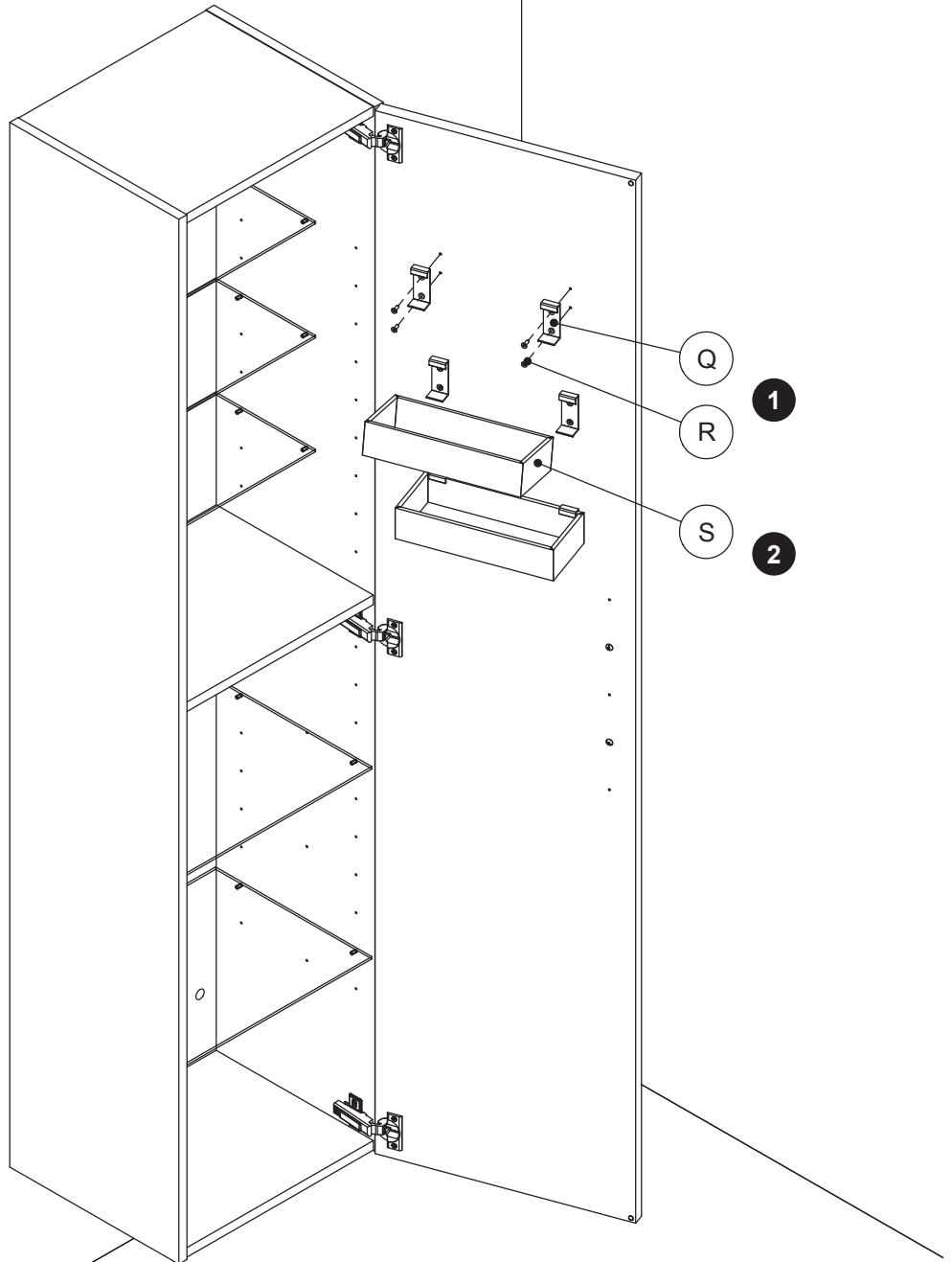
 (N)	 (O)	 (P)
12x/20x 415533	0x/2x 820841501	3x 820842501



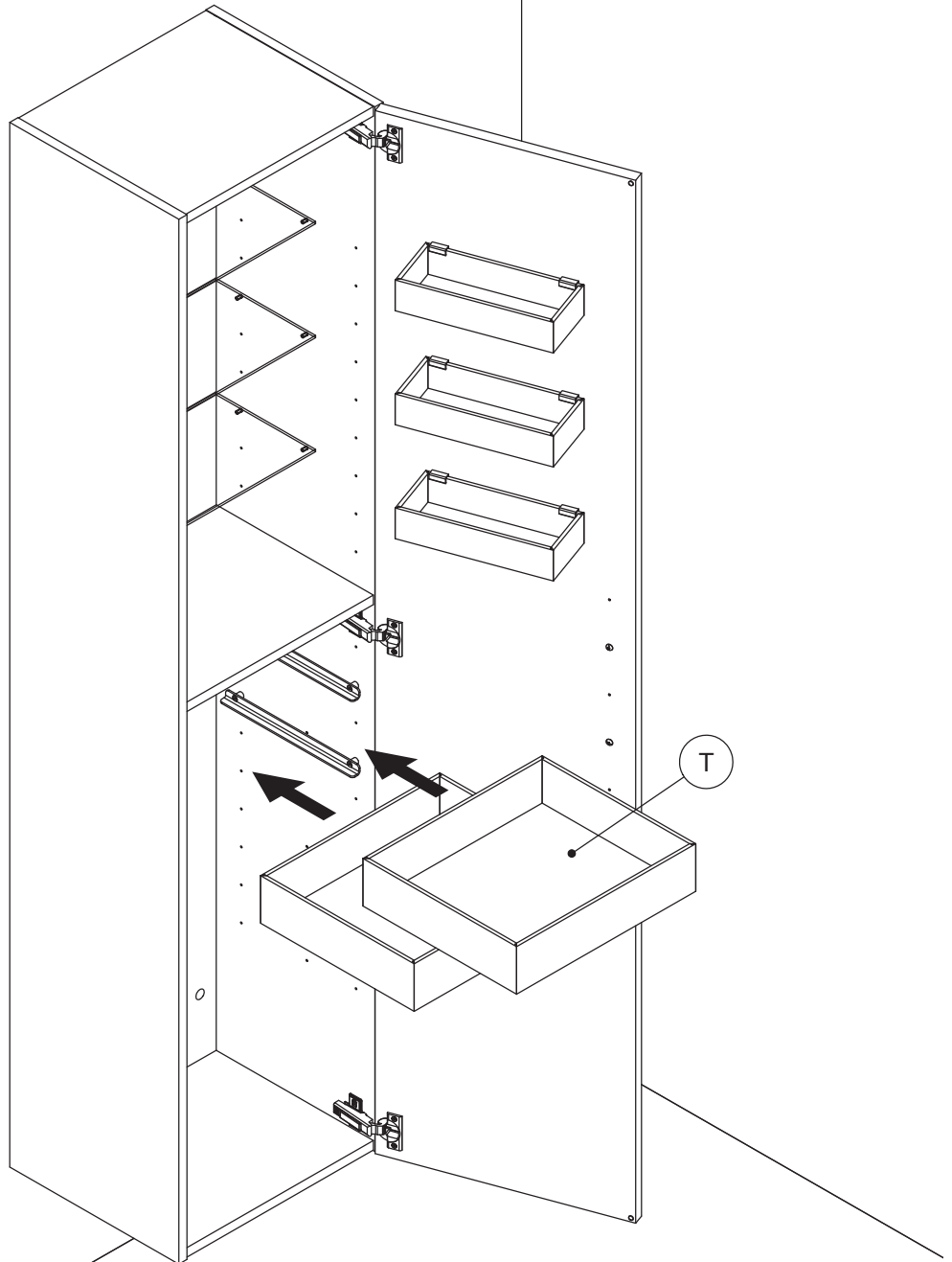
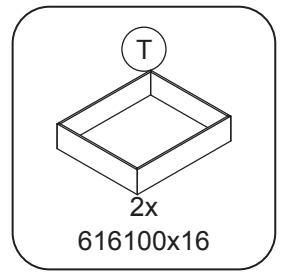
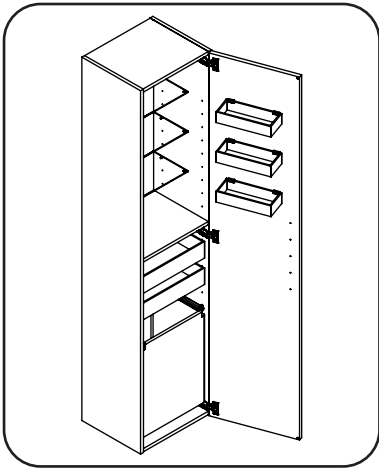
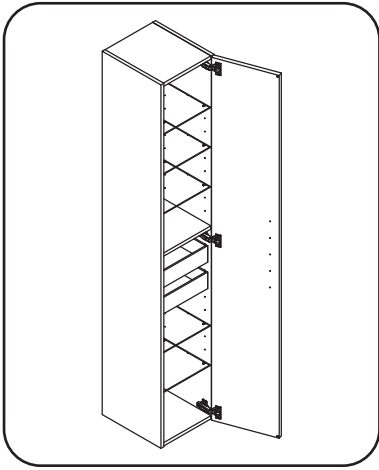
# 15



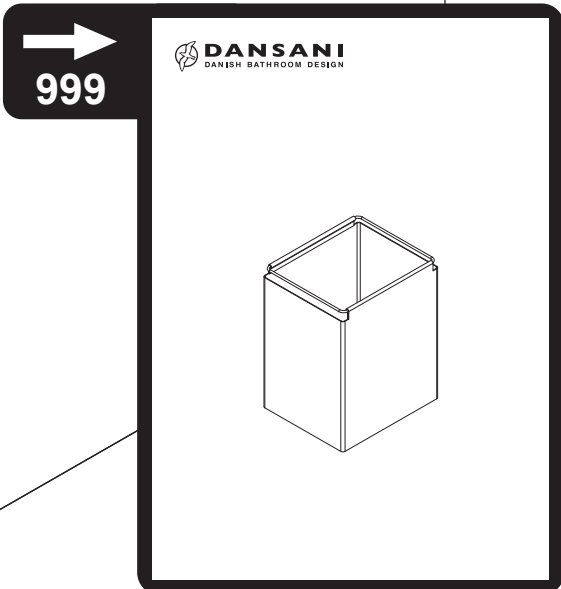
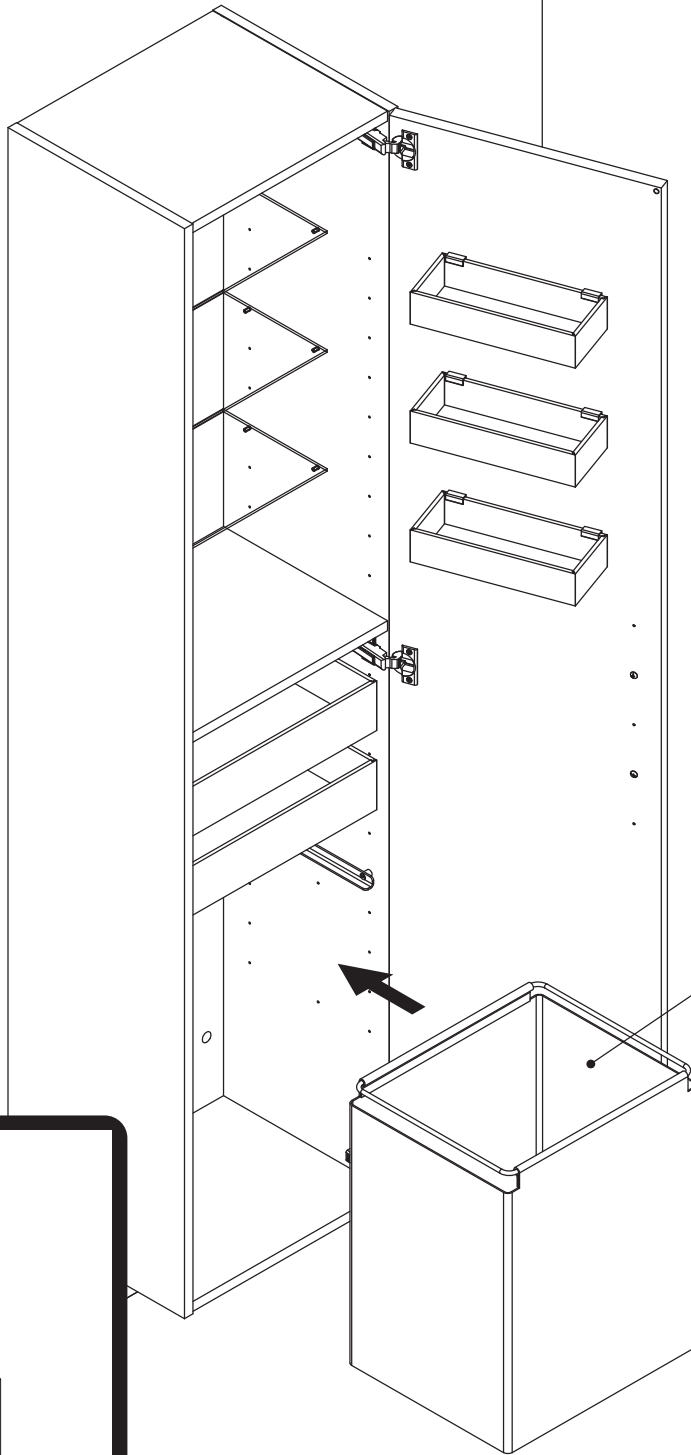
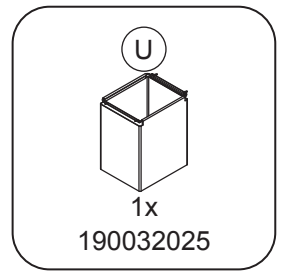
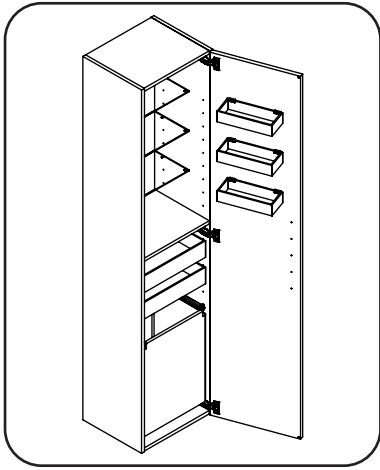
		
6x 545600147	12x 4,0-15SU	3x 616010116



# 16



# 17



Dansani A/S  
Finlandsvej 8  
DK-6100 Haderslev  
Tel.: +45 73 22 29 00  
Mail: mail@dansani.dk  
www.dansani.com www.scanbad.com



No. 1477 250107 Rev. 01