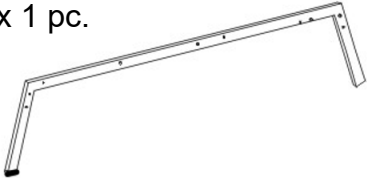
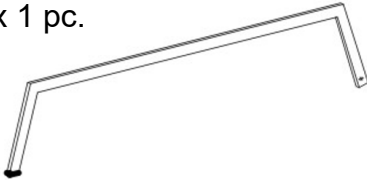


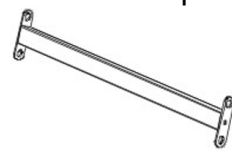
A x 1 pc.



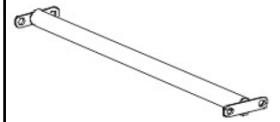
B x 1 pc.



C x 2 pcs.



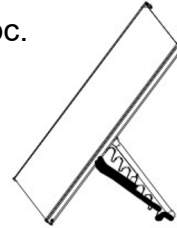
D x 1 pc.



E x 1 pc.



F x 1 pc.



G x 2 pcs.

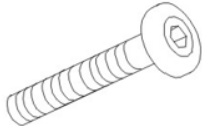


a x 12 pcs.



M6\*15

b x 8 pcs.



M6\*35

c x 20 pcs.



M6

d x 20 pcs.



M6

e x 1 pc.



g x 2 pcs.



M8\*80

h x 4 pcs.



M8

i x 2 pcs.



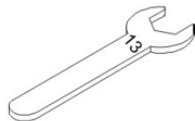
M8

j x 2 pcs.

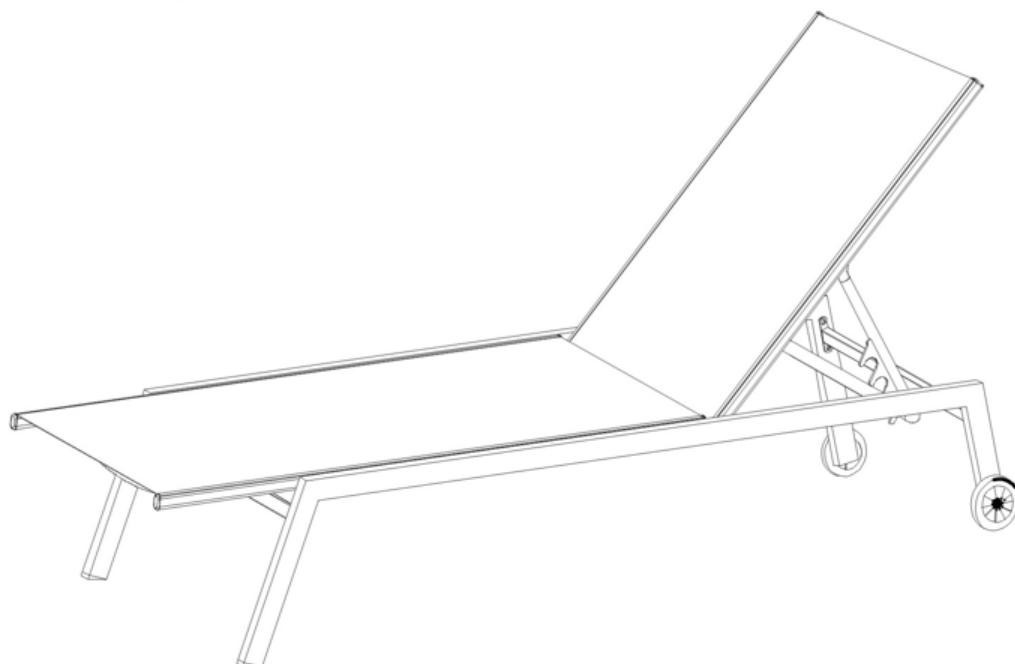


M8

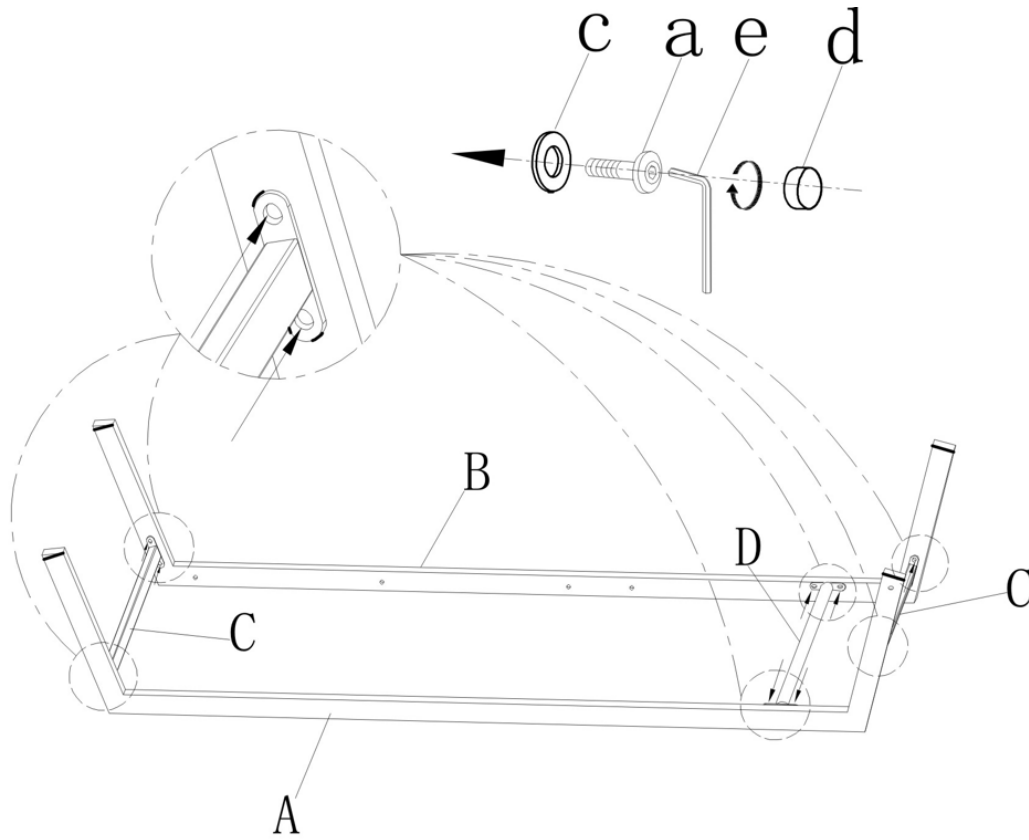
k x 2 pcs.



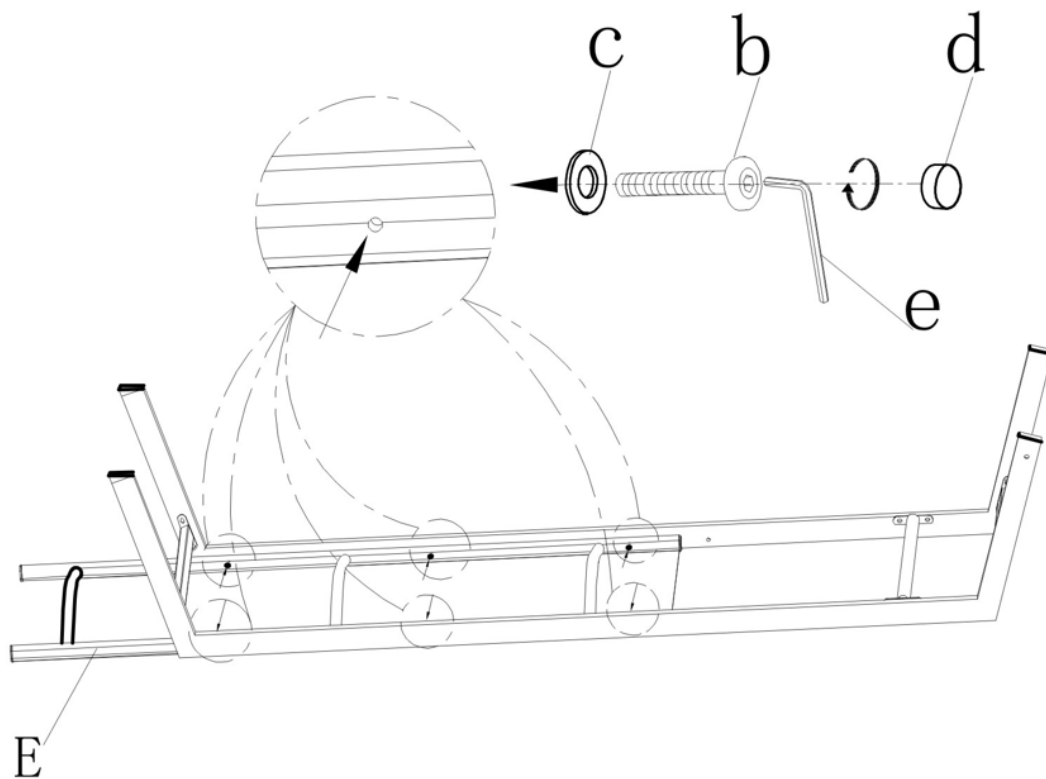
S=13



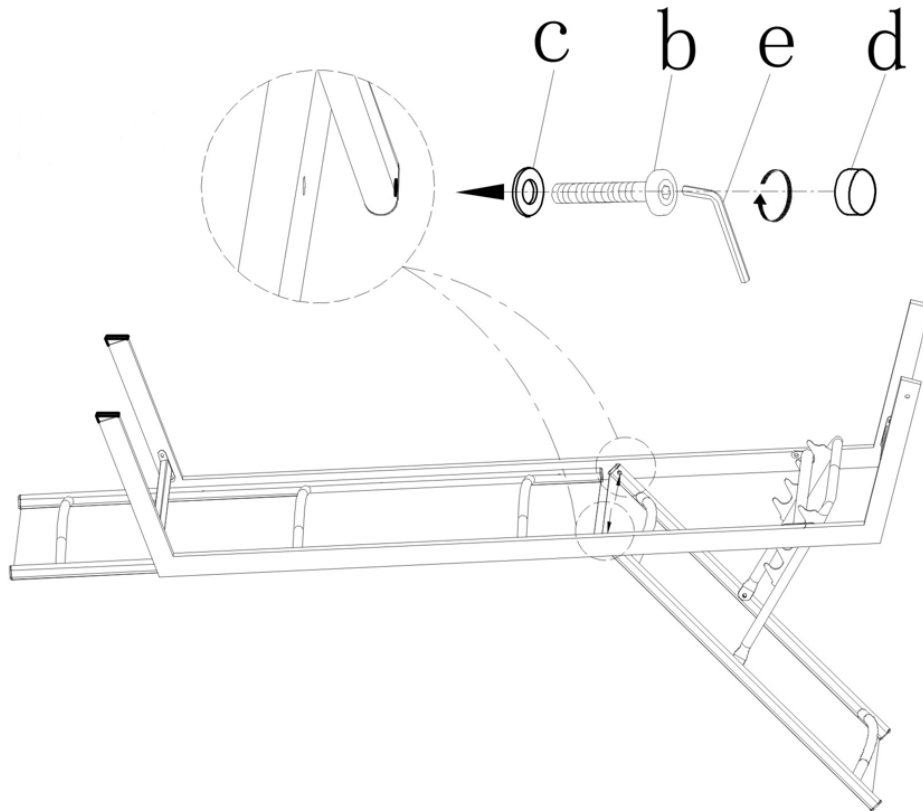
STEP 1



STEP 2



STEP 3



STEP 4

