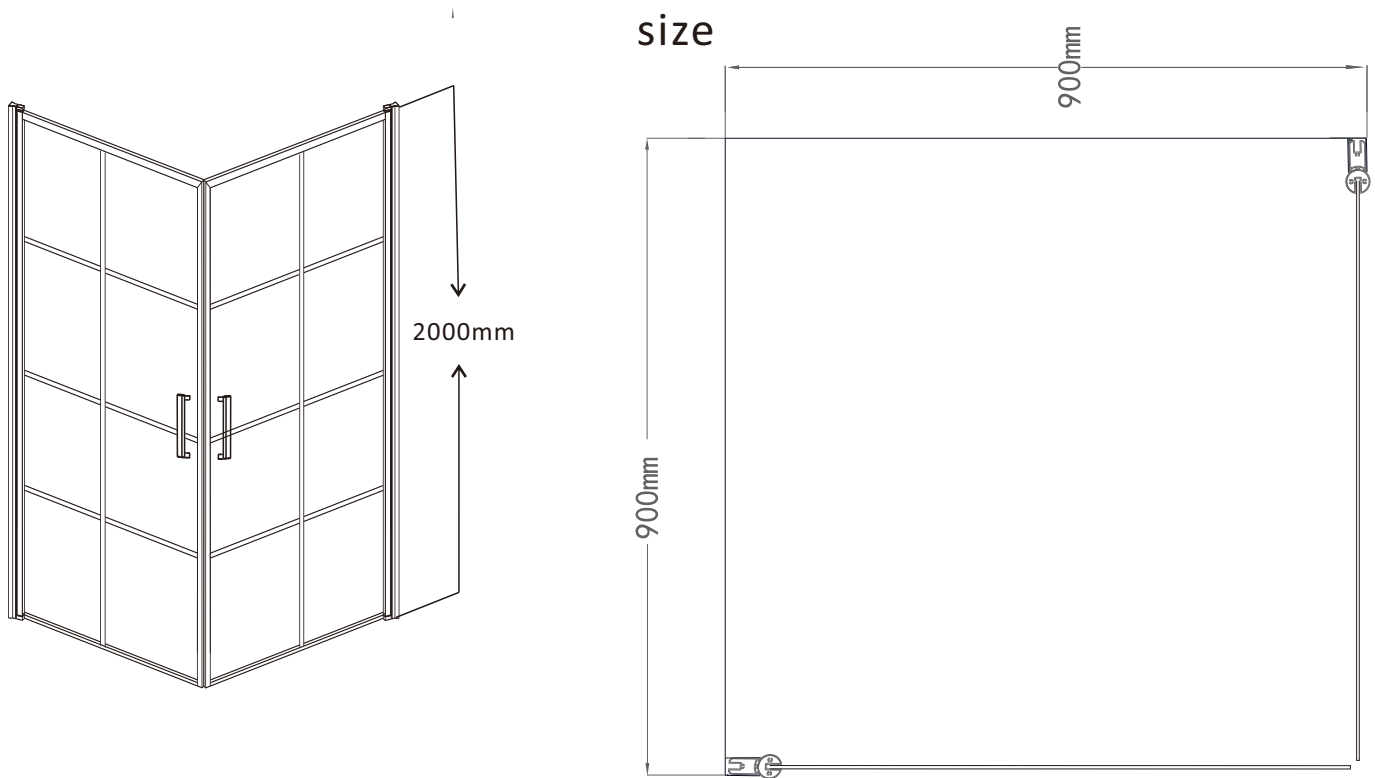


Installation Instructions



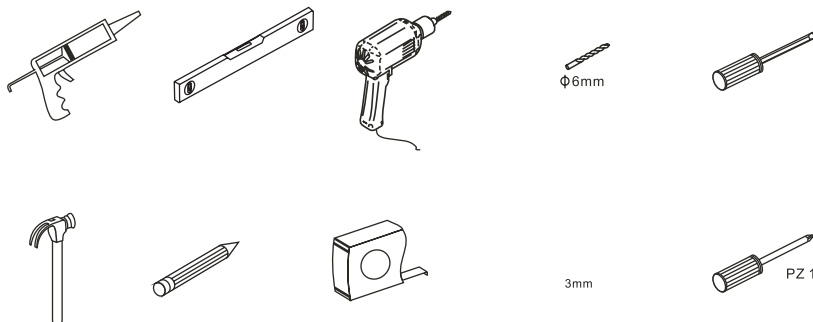
General Information

Please inspect this product upon delivery. Any missing parts or manufacturing defects must be reported immediately to the supplier. Damage or defects reported later will not be accepted. TAKE CARE WHEN HANDLING GLASS PARTS - AVOID HEAVY CONTACT BETWEEN THE GLASS EDGES AND ANY HARD SURFACE. Glass breakage claims will not be accepted after the product has been unpacked.

Aftercare instructions

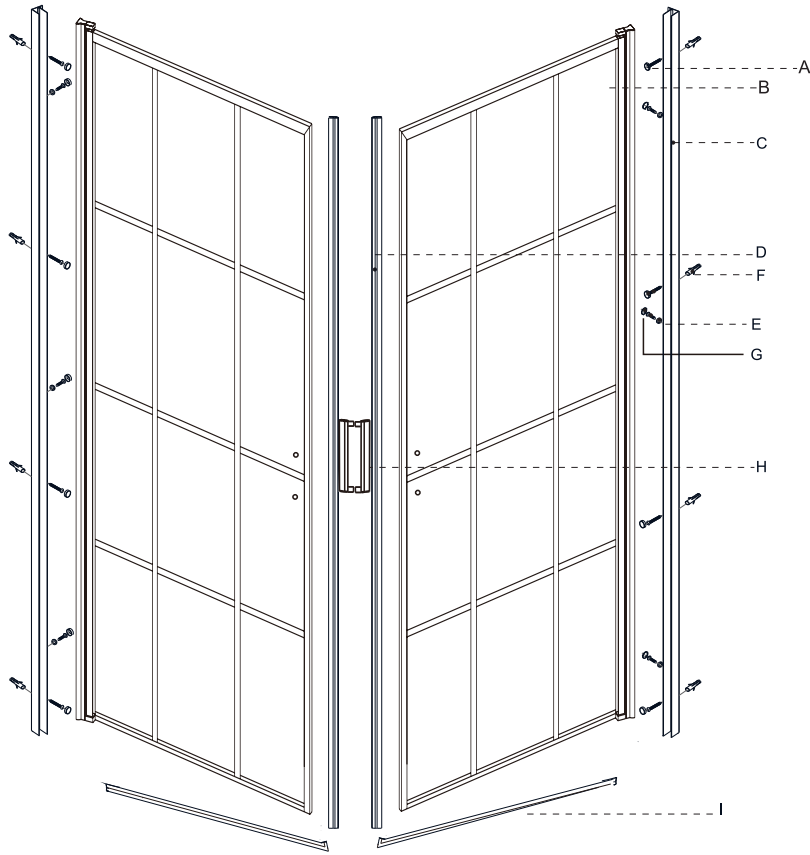
Regularly clean your shower product with warm soapy water to prevent lime scale build up. DO NOT use abrasive cleaning fluids or materials, or strong chemical cleaners as this will damage the product surface.

Tools Required

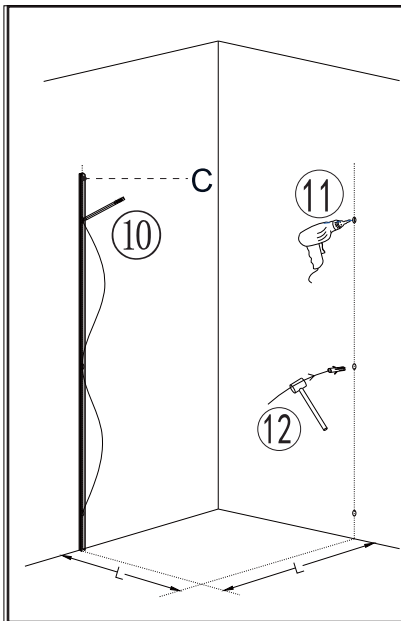


This product is heavy and may require two people to install.

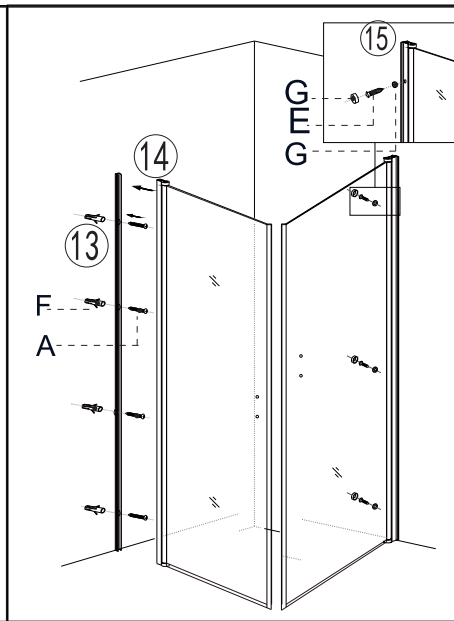
Installation Instructions



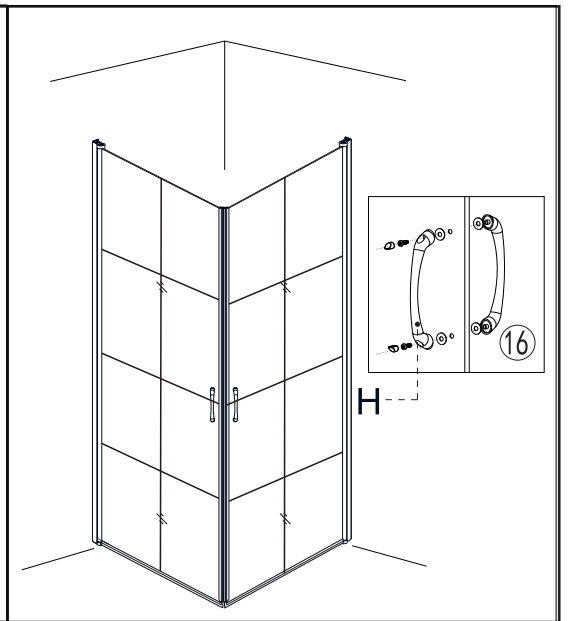
A		8Pcs Screw(ST4 *30)
B		2 Pcs Completed glass door
C		2 Pcs Aluminium frame
D		2 Pcs Magnetic strap
E		6 Pcs Screw(ST4*12)
F		8 Pcs Plastic stuffing
G		6 Pcs Plastic cap
H		2 Pcs Handle
I		2 Pcs Sealing strips



Mark the drill holes on the wall through the holes on the wall profiles



After installed wall profiles put glass door inside wall profiles screw glass door and wall profiles cover the screw cap



Installed handles