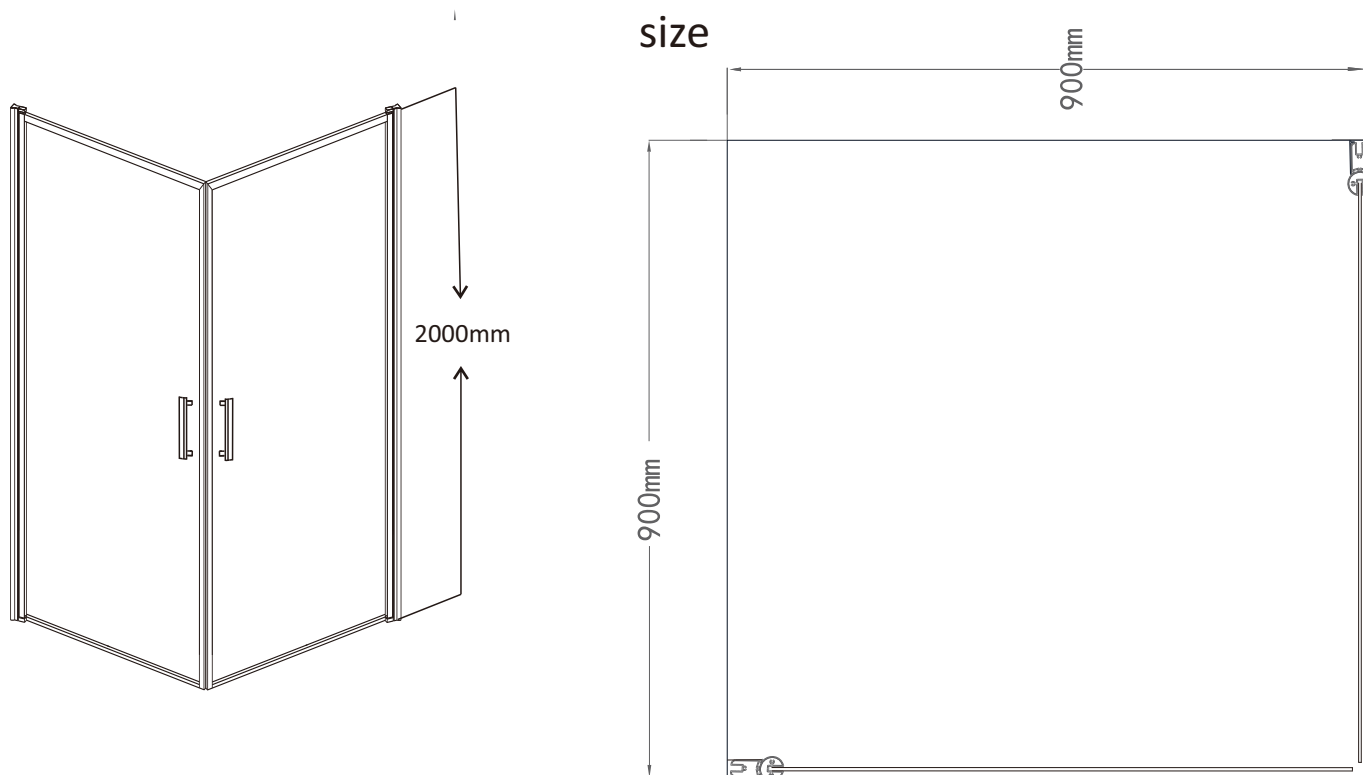


# Installaton Instructions



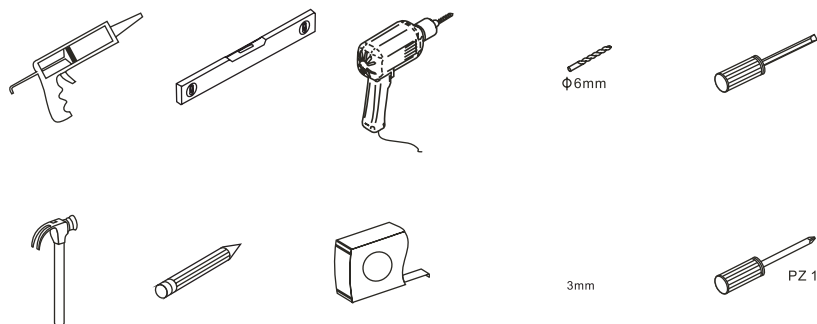
## General Information

Please inspect this product upon delivery. Any missing parts or manufacturing defects must be reported immediately to the supplier. Damage or defects reported later will not be accepted. TAKE CARE WHEN HANDLING GLASS PARTS - AVOID HEAVY CONTACT BETWEEN THE GLASS EDGES AND ANY HARD SURFACE. Glass breakage claims will not be accepted after the product has been unpacked.

## Aftercare instructions

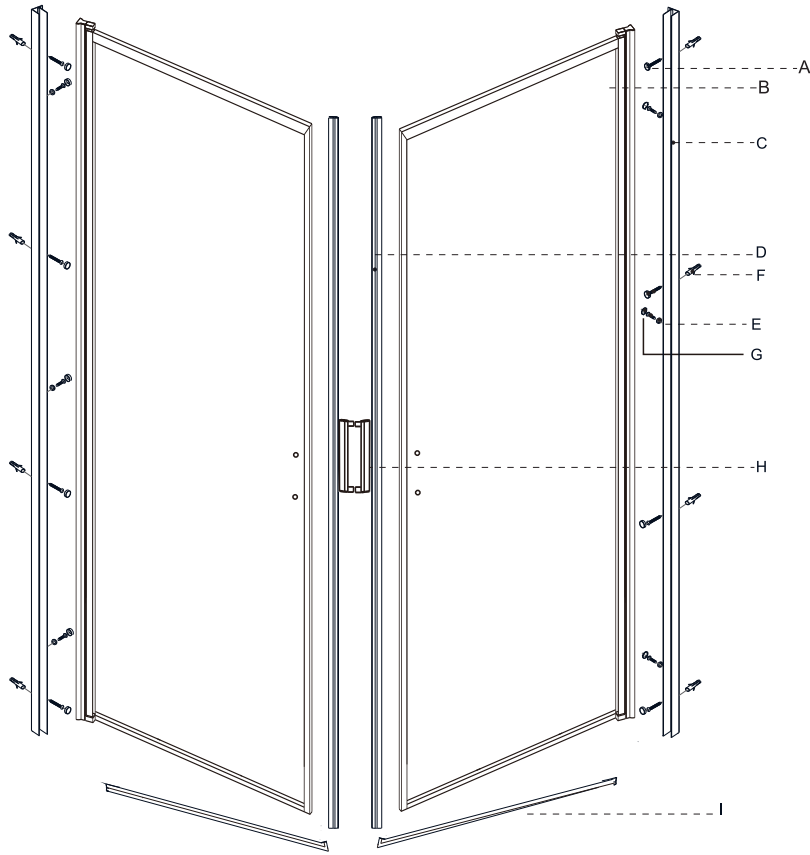
Regularly clean your shower product with warm soapy water to prevent lime scale build up. DO NOT use abrasive cleaning fluids or materials, or strong chemical cleaners as this will damage the product surface.

### Tools Required

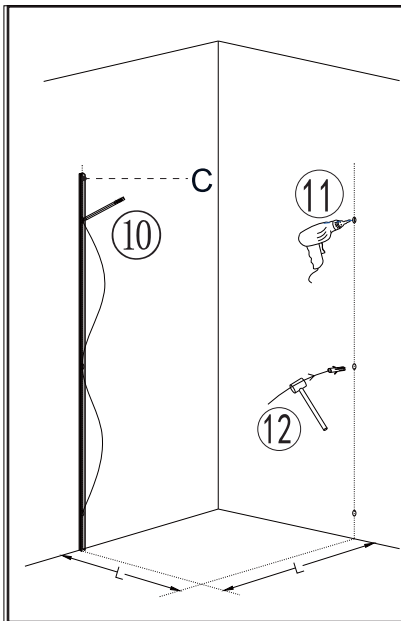


This product is heavy and may require two people to install.

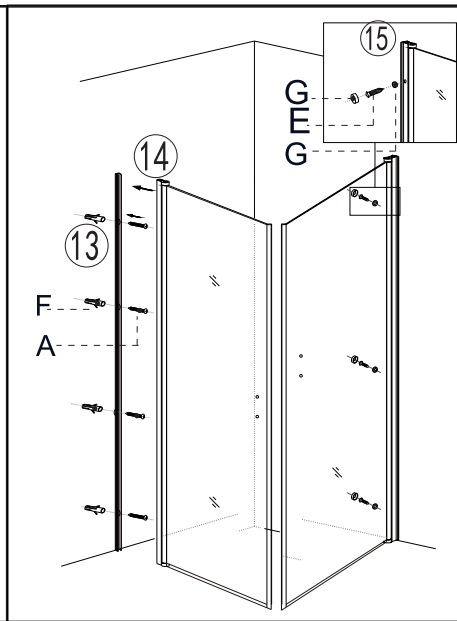
# Installaton Instructions



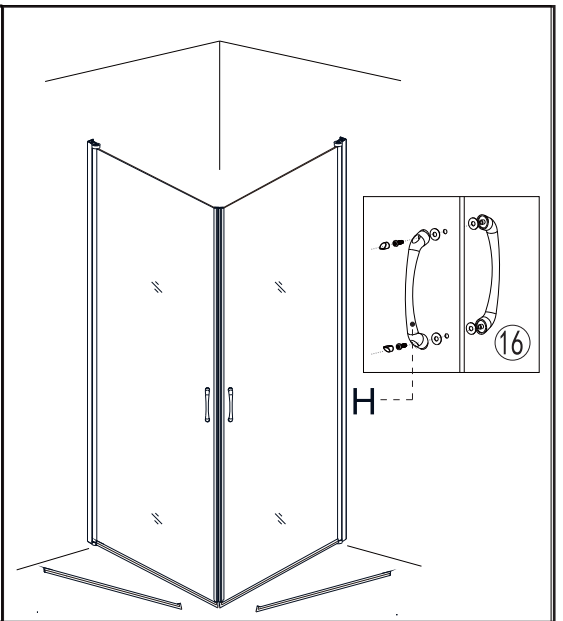
A		8Pcs
		Screw(ST4 *30)
B		2 Pcs
		Completed glass door
C		2 Pcs
		Aluminium frame
D		2 Pcs Magnetic strap
E		6 Pcs Screw(ST4*12)
F		8 Pcs Plastic stuffing
G		6 Pcs Plastic cap
H		2 Pcs Handle
I		2 Pcs Sealing strips



Mark the drill holes on the wall  
through the holes on the wall profiles



After installed wall profiles  
put glass door inside wall profiles  
screw glass door and wall profiles  
cover the screw cap



Installed handles  
Installed seals