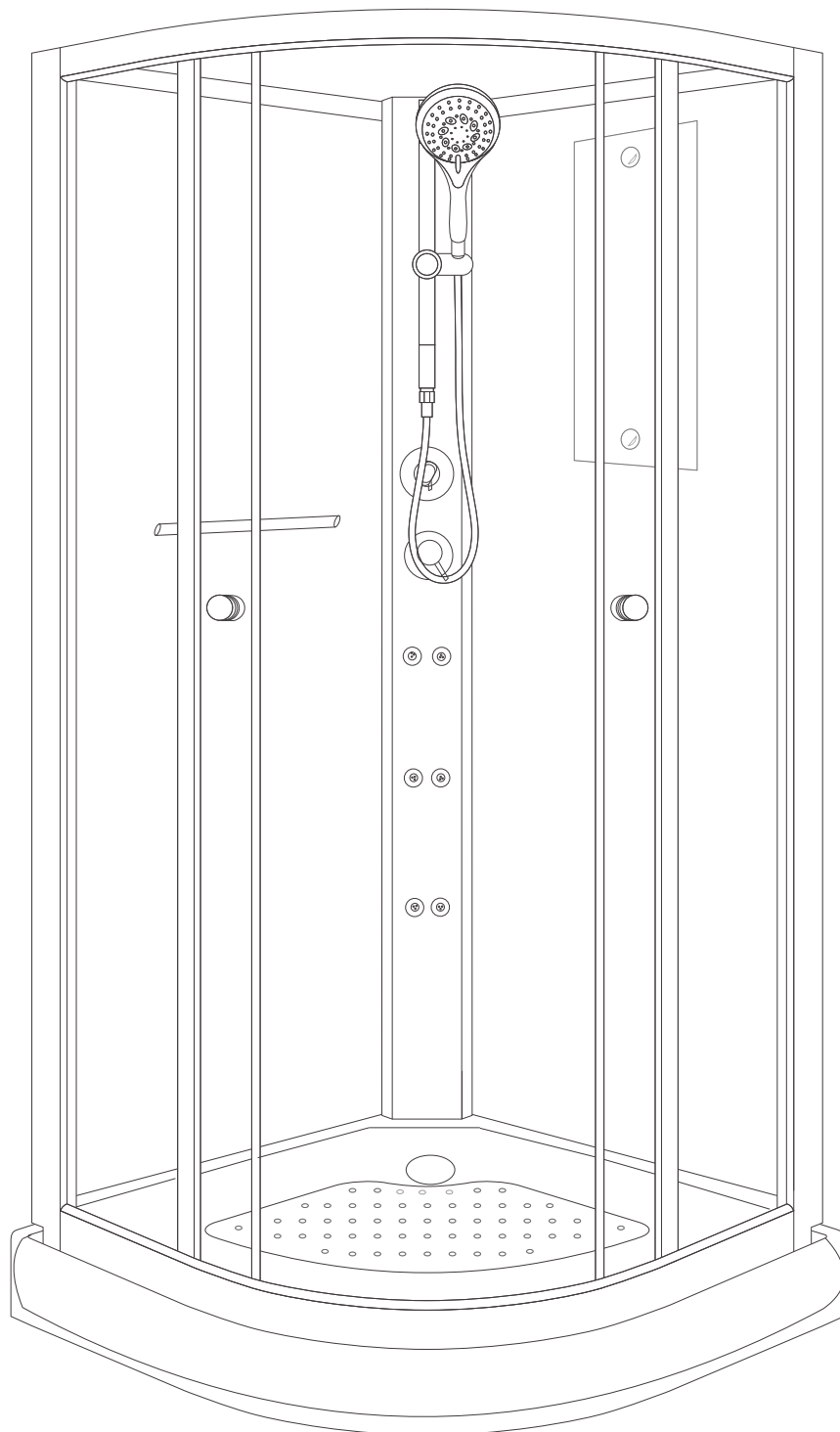


INSTALLATION INSTRUCTION

RONDO 90x90x205cm



BEFORE YOU START , HERE IS SOME IMPORTANT INFORMATION

1) General Information

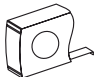


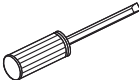
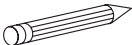
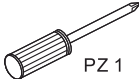
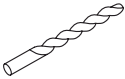
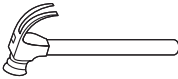
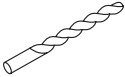

Please inspect this product upon delivery. Any missing parts or manufacturing defects must be reported immediately to the supplier. Damage or defects reported later will not be accepted. **TAKE CARE WHEN HANDLING GLASS PARTS-AVOID HEAVY CONTACT BETWEEN THE GLSS EDGES AND ANY HARD SURFACE.** Glass breakage claims will not be accepted after the product has been unpacked.

Please note--aluminium is a soft metal, and undergoes a series of extrusion, fabrication, polishing and anodising processes in order to create your finished shower enclosure. Some light surface marks are normal, and is a result of the manufacturing processes. Quality control has ensured that this item is of a good standard, and is fit for purpose.

2) Addition notes

Please read these instructions carefully before starting installation.
Special care should be taken when drilling walls to avoid hidden pipes or electrical cables.
Note:this product is heavy and may require two people to install.

TOOLS REQUIRED

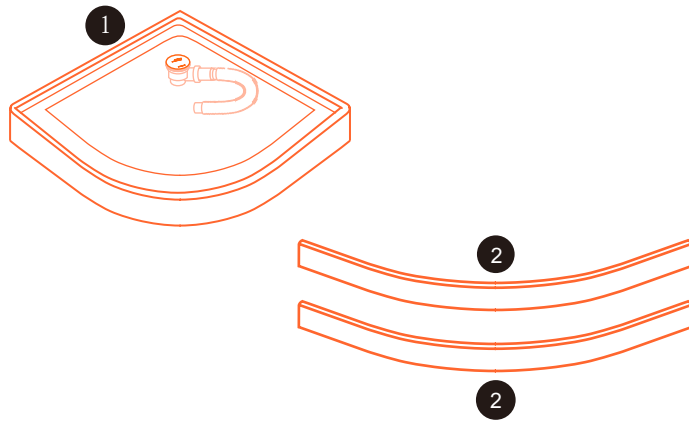
DESCRIPTION	PART IMAGE	DESCRIPTION	PART IMAGE
Tape measure		Drill	
Spirit Level		Flat-head Screwdriver	
Pencil		Cross Head Screwdriver	
Φ 6mm Drill bit		Hammer	
Φ 3mm Drill bit		Silicone Sealant	

 This product is heavy and may require two people to install.

Composition

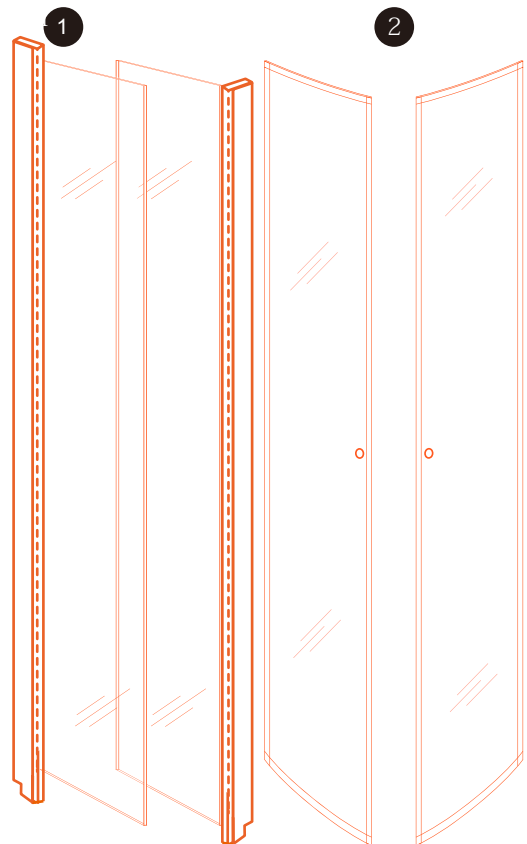
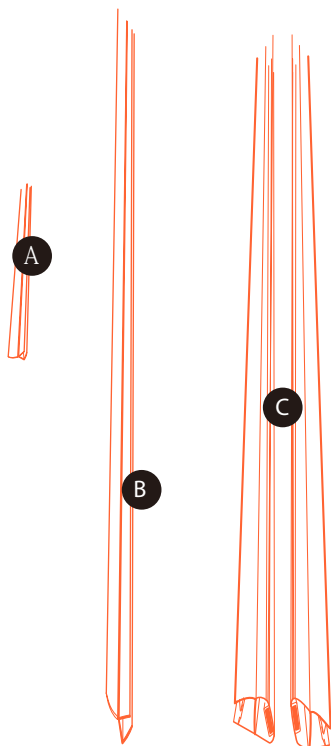
DEL1/4

- ① 1 x completely tray with drainer
- ② 2 x horizontal profiles



DEL2/4

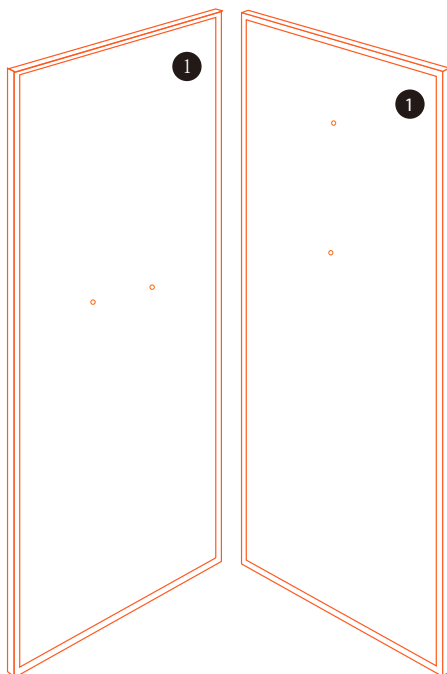
- ① 2 x fixed glass with aluminium alloy profiles
- ② 2 x sliding glass
- ③ Seal sets:
 - A 4x short water seal
 - B 4x long water seal (two in small profile)
 - C 2x magnetic seal






Composition

DEL3/4

- ① 2 x Side glass



OBS ! OBS ! OBS !

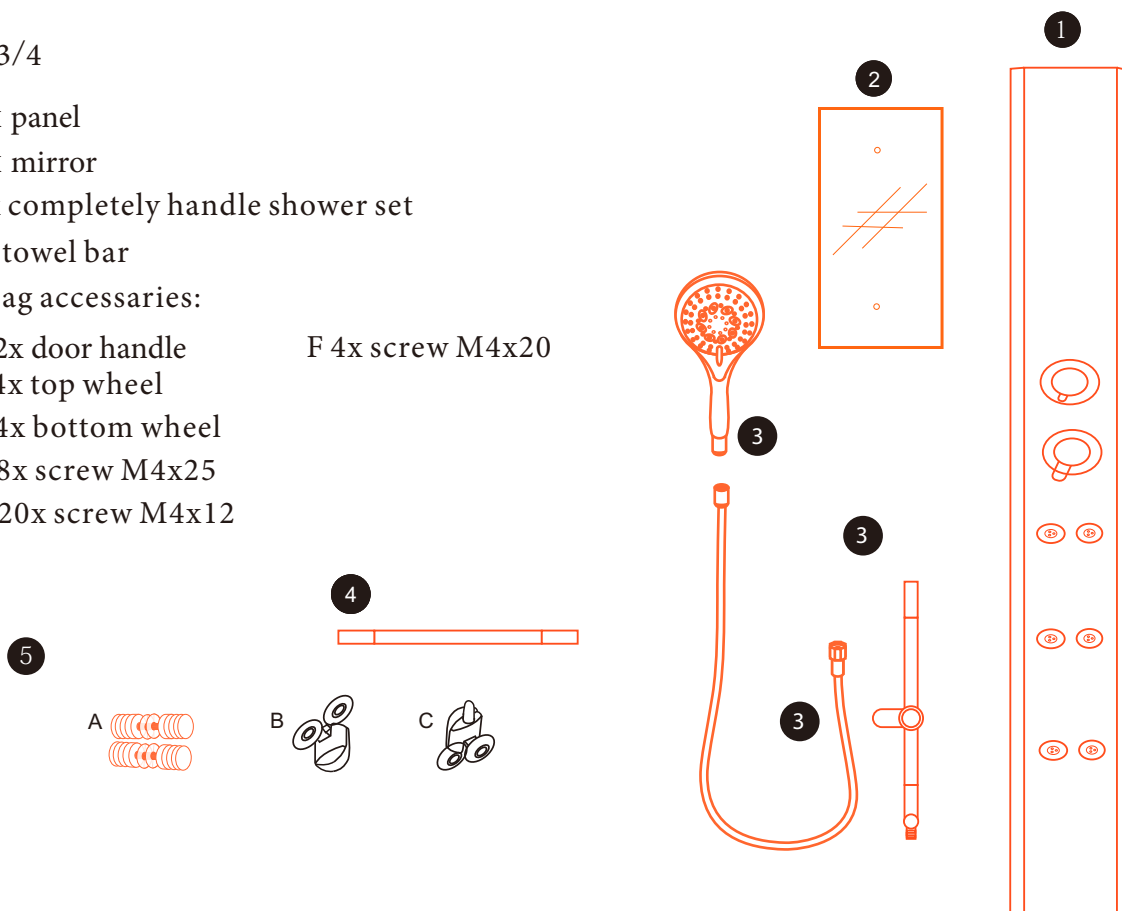
-  Glas:
I det omfang det er muligt, bør man altid være 2 personer, til at løfte og håndtere glasset.
-  Er man alene, bør man altid løfte på tværs af glaspladerne, og ikke lige over midten.
-  Glasset er tungt, og har tyngde i begge ender, og kan derfor gå i stykker, hvis man behandler det forkert.

DEL3/4

- ① 1 x panel
- ② 1 x mirror
- ③ 1 x completely handle shower set
- ④ 1x towel bar
- ⑤ 1 bag accessories:

- A 2x door handle
- B 4x top wheel
- C 4x bottom wheel
- D 8x screw M4x25
- E 20x screw M4x12

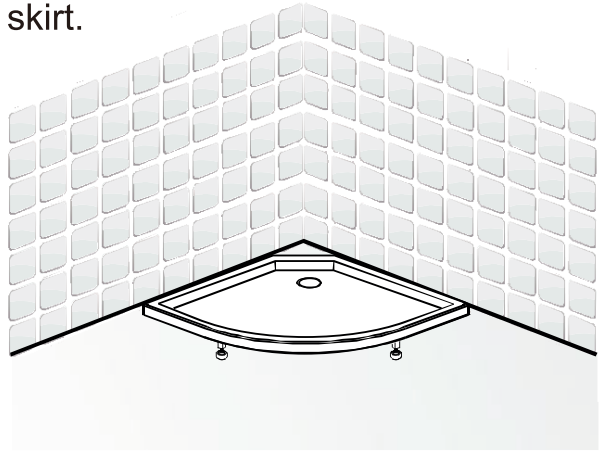
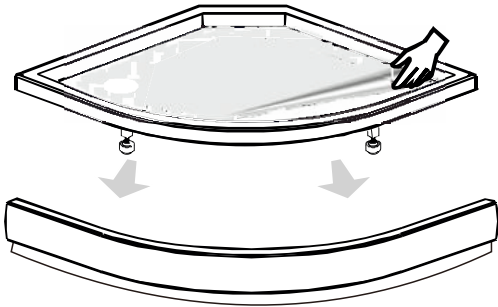
F 4x screw M4x20



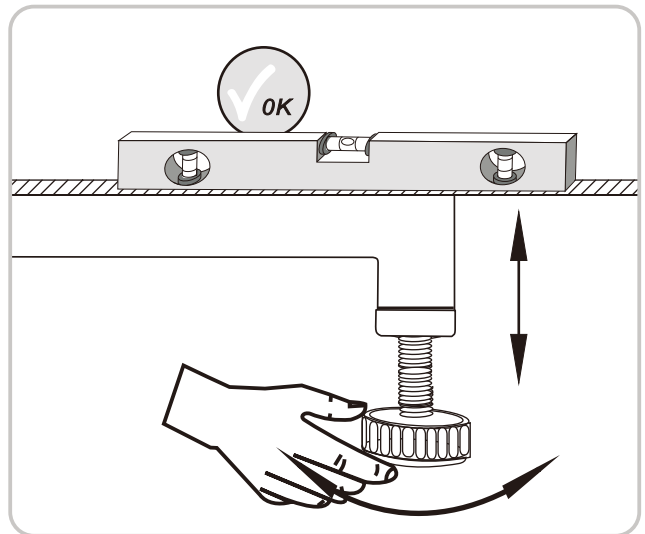
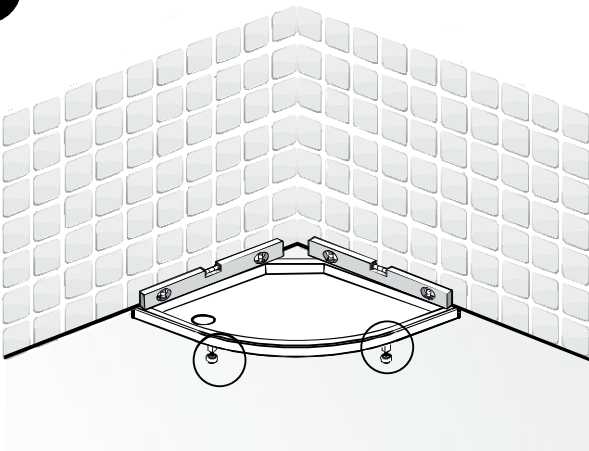
Step

1

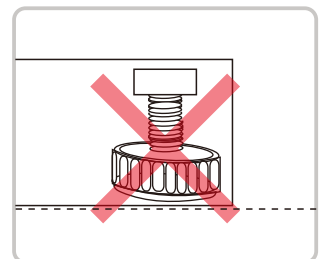
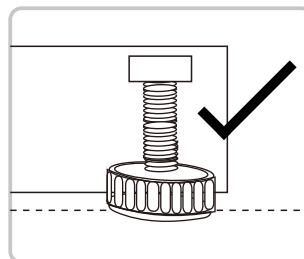
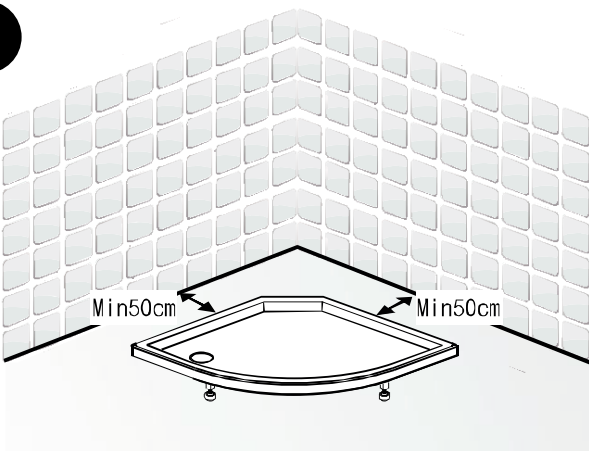
The tray already be pre-installed with skirt.



2

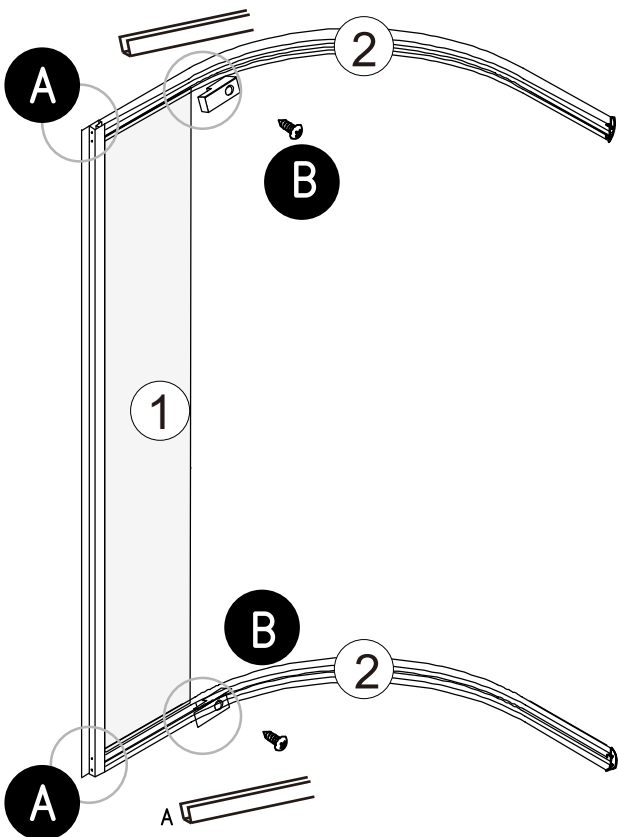
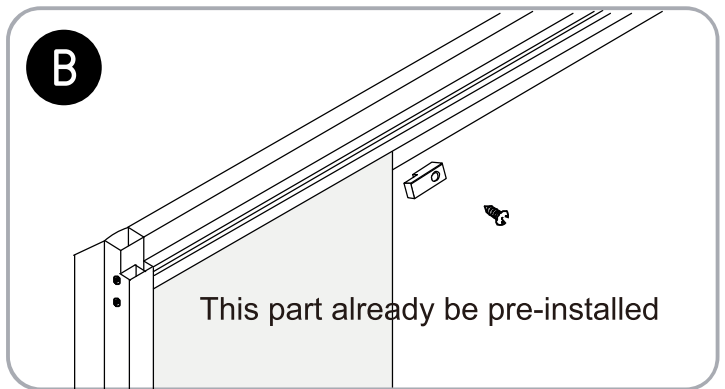
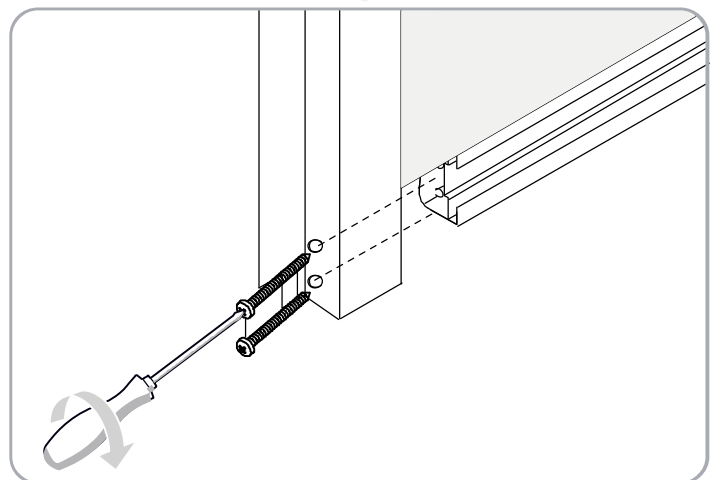
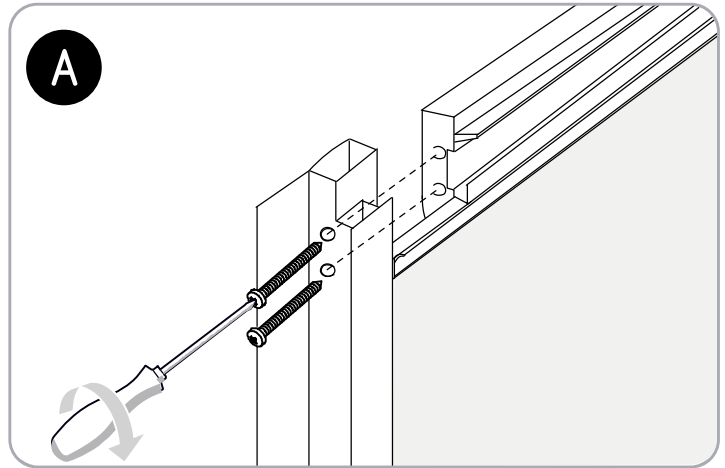
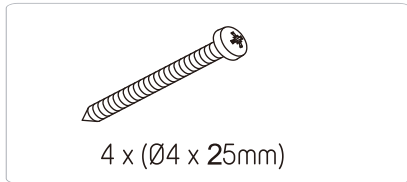
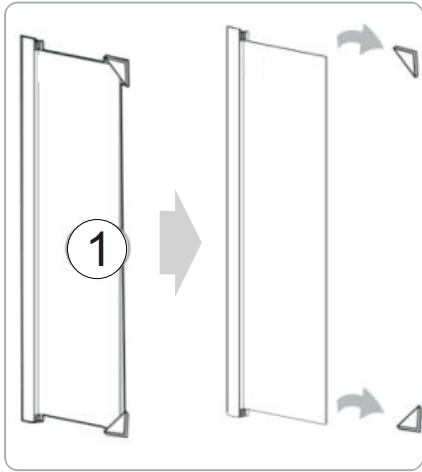


3



Step

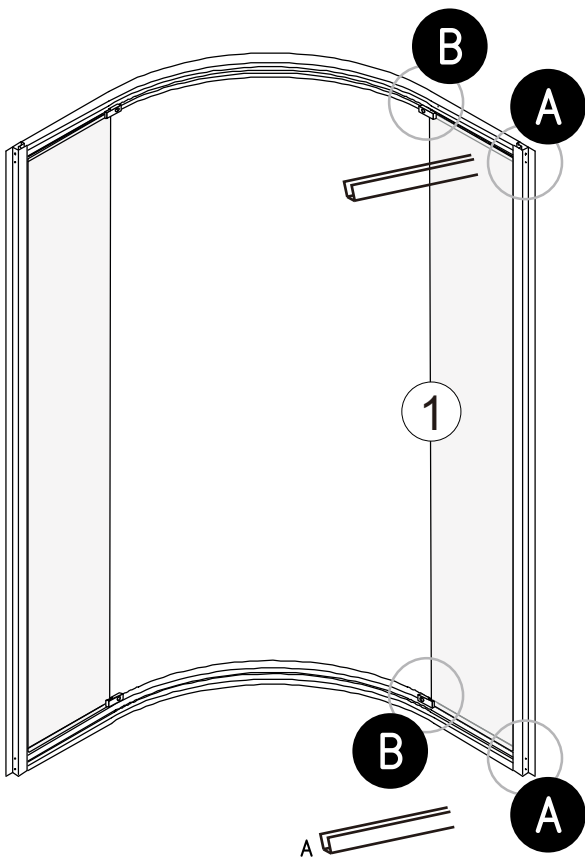
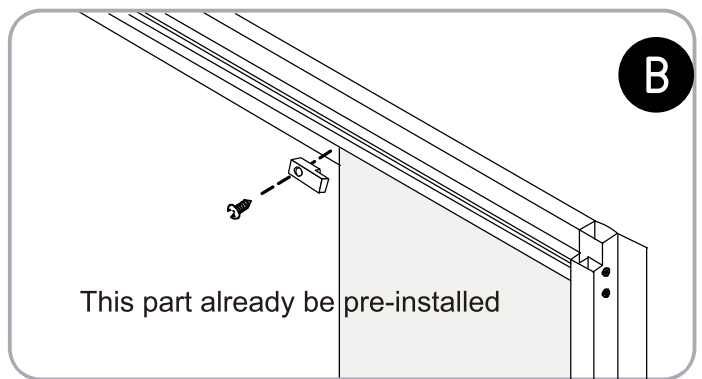
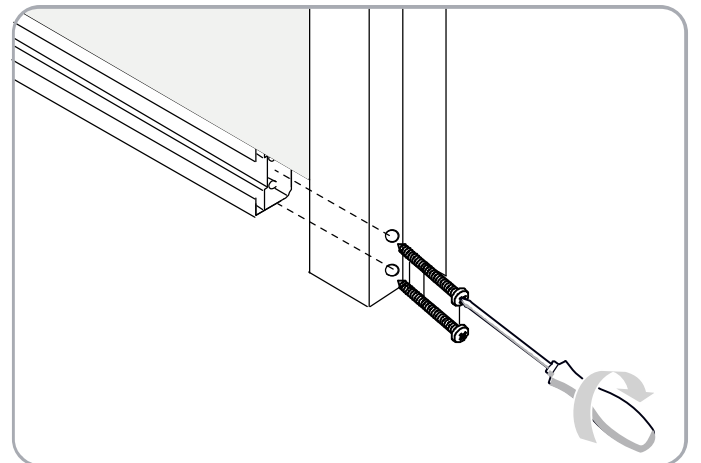
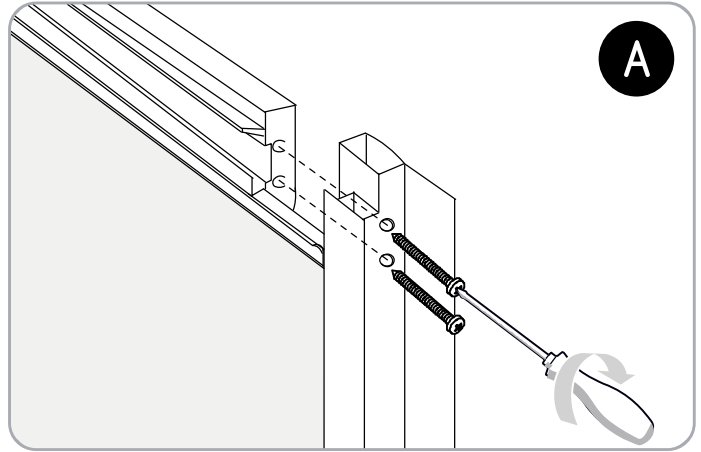
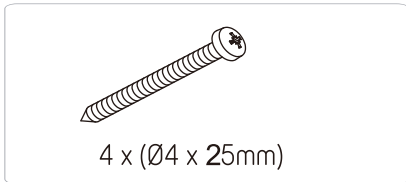
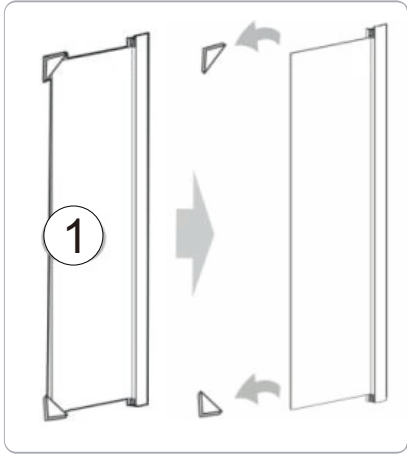
4



Put the seal under and top the fixed glass before fixing

Step

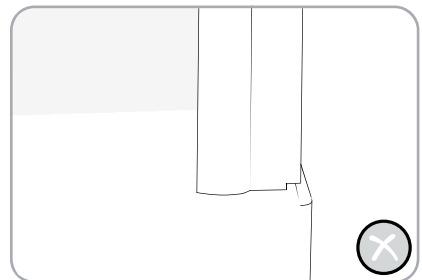
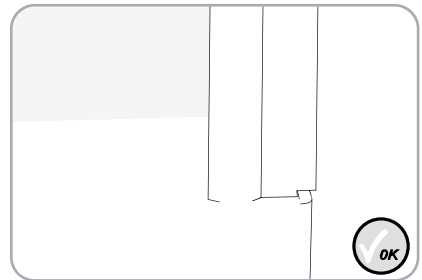
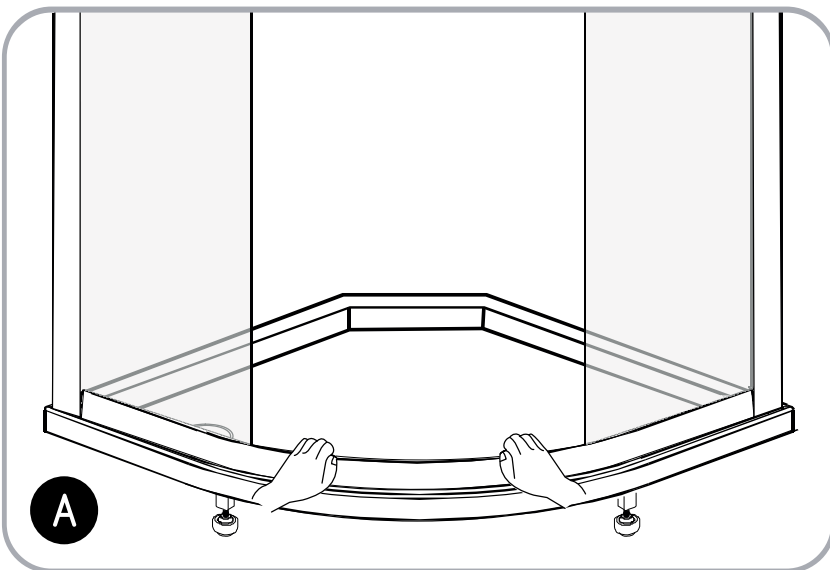
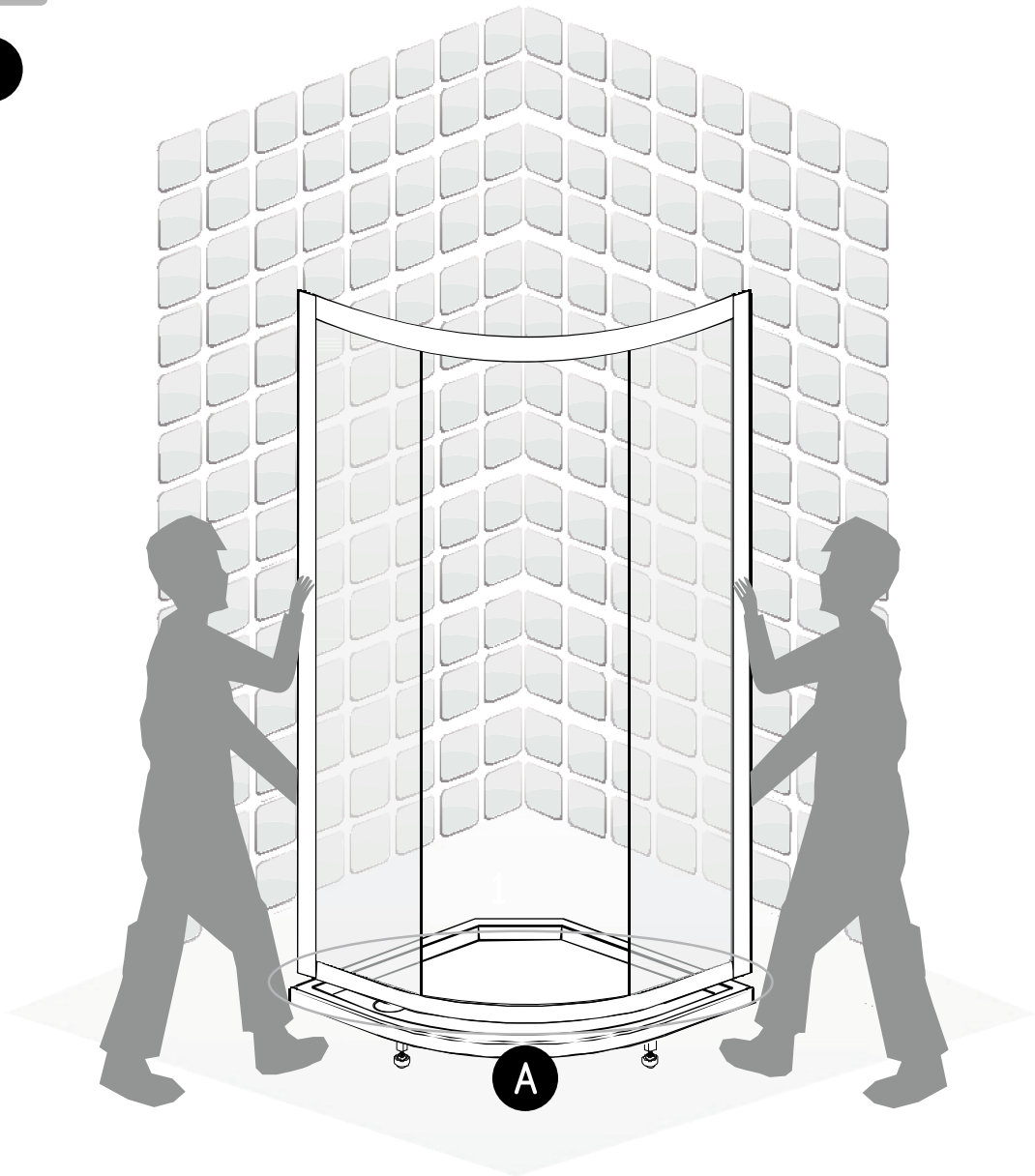
5



Put the seal under and top the fixed glass before fixing

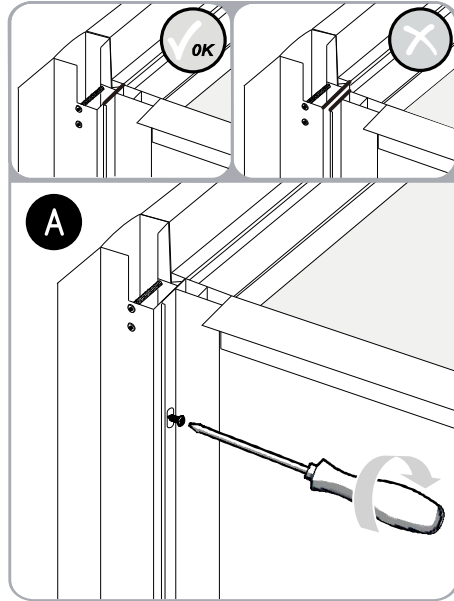
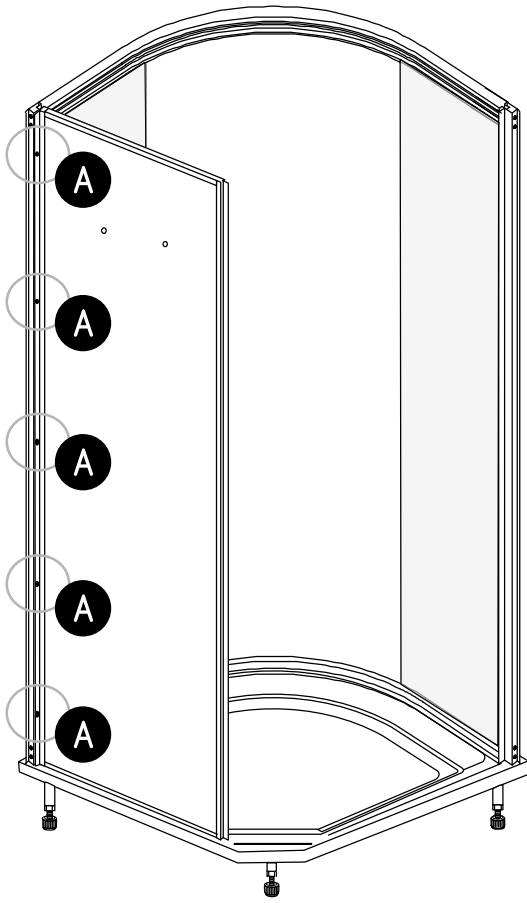
Step

6



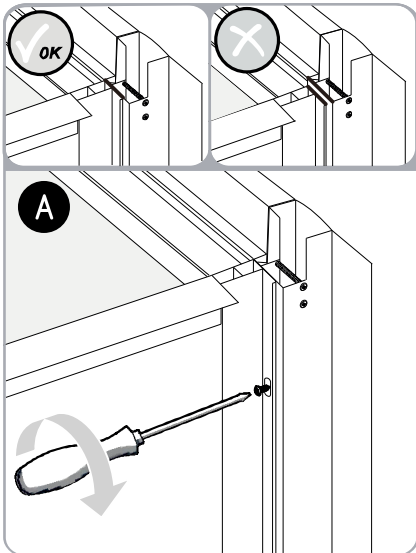
Step

7

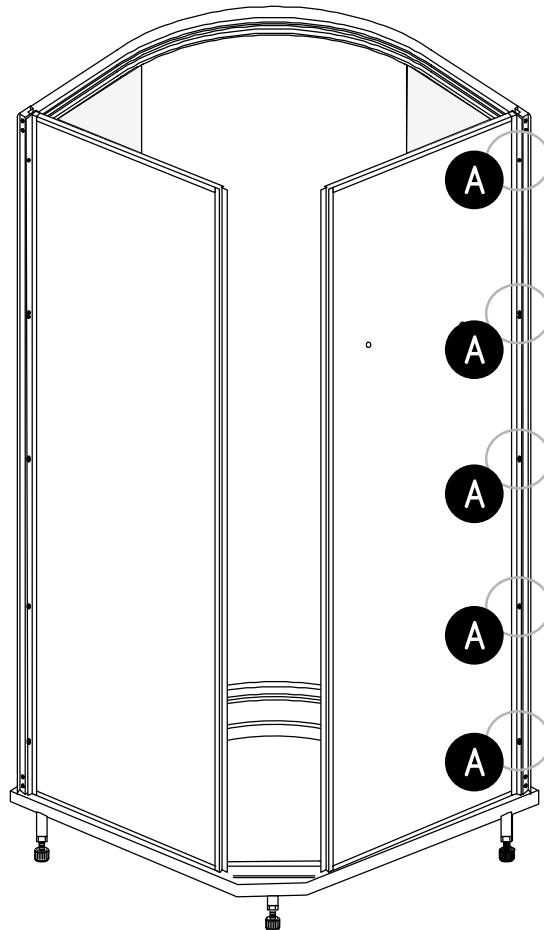


5 x (Ø4 x 12mm)

8

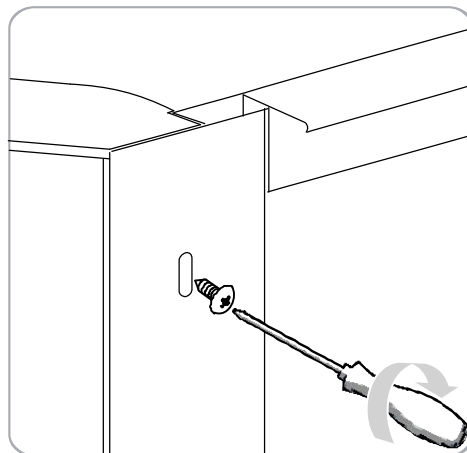
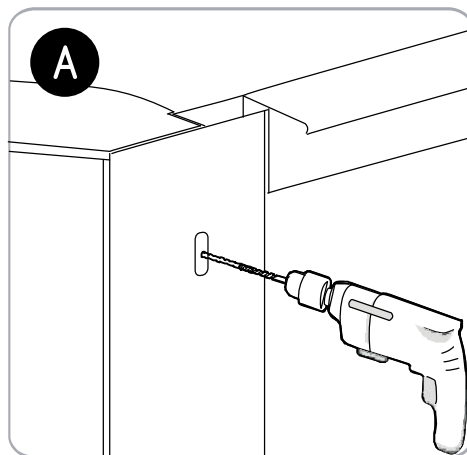
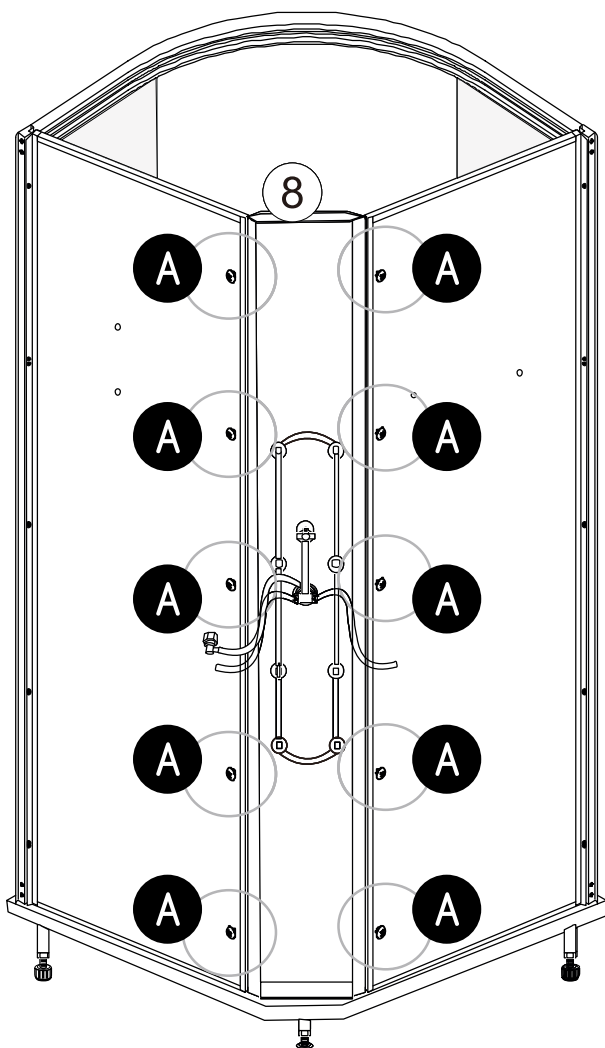
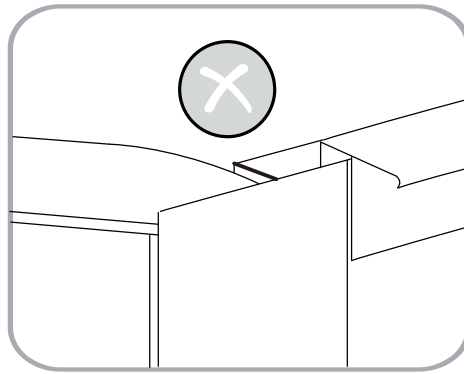
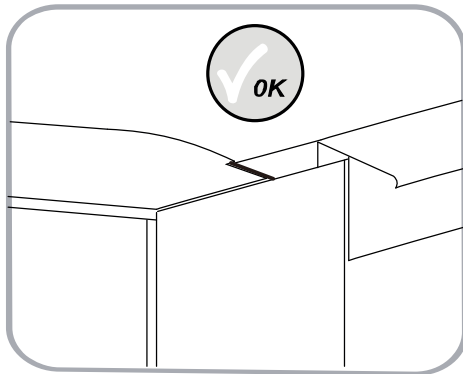


5 x (Ø4 x 12mm)



Step

9



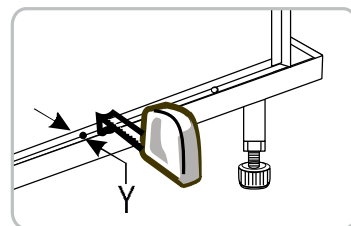
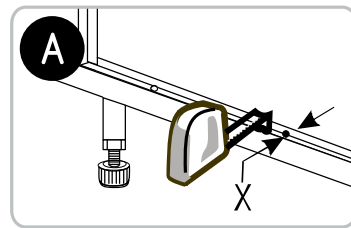
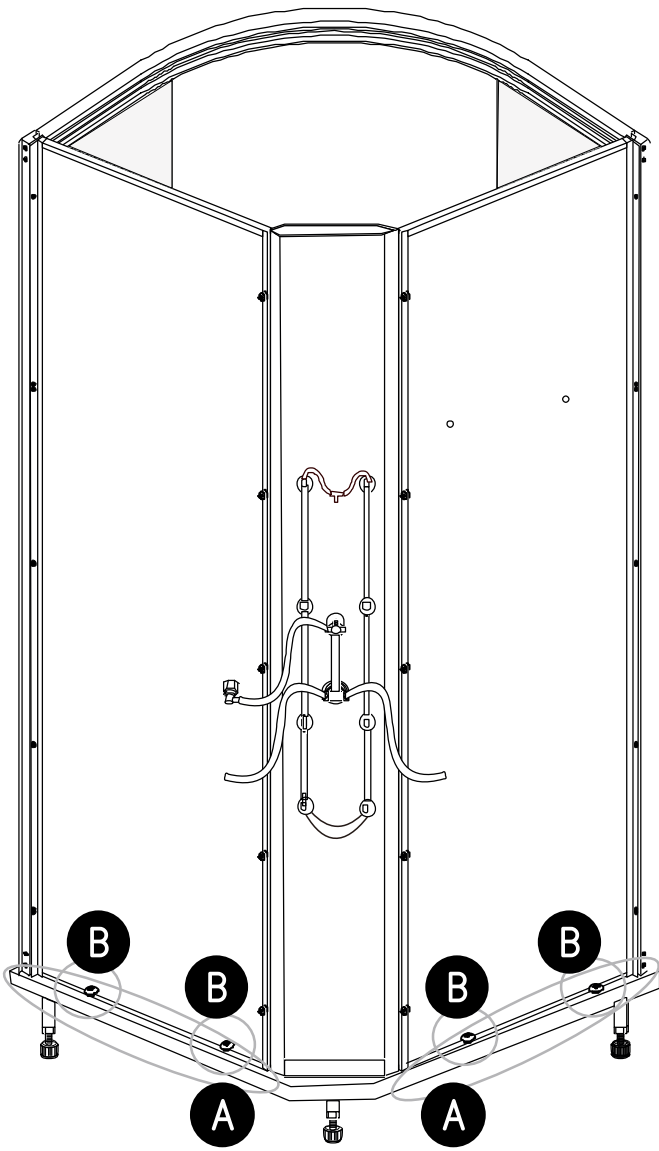
10 x (Ø4 x12 mm)



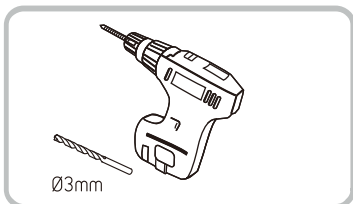
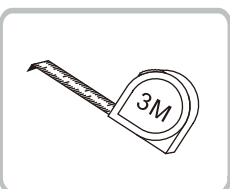
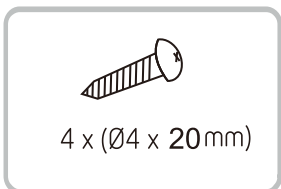
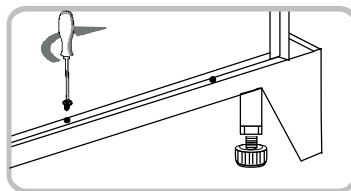
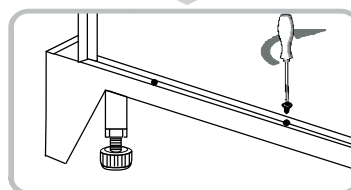
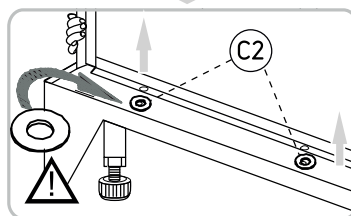
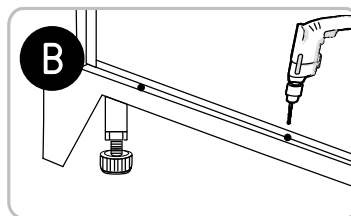
Ø3mm



10

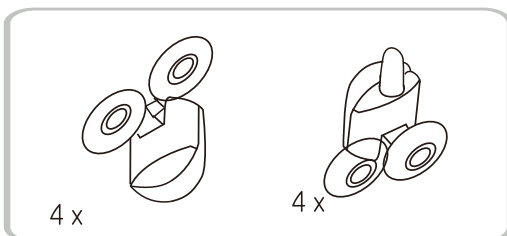
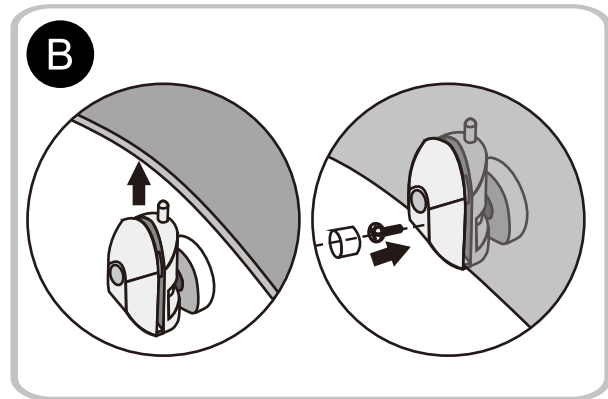
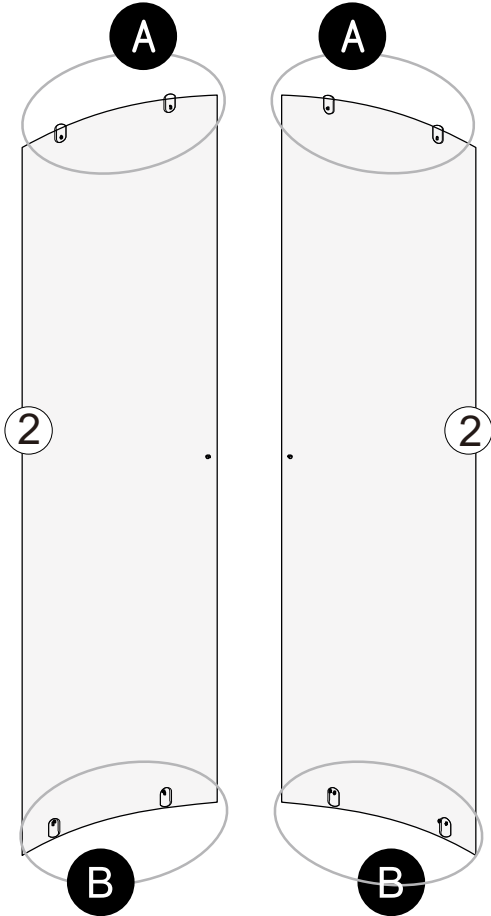
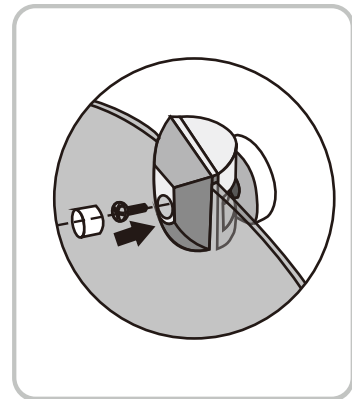
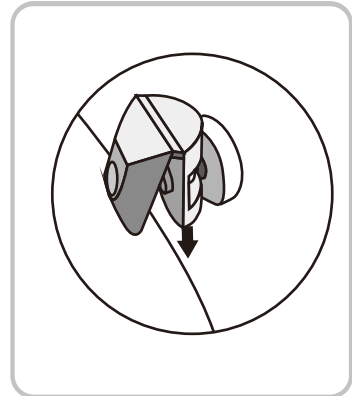
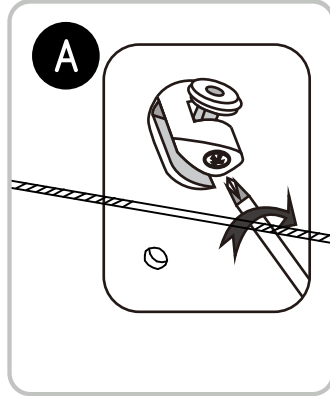
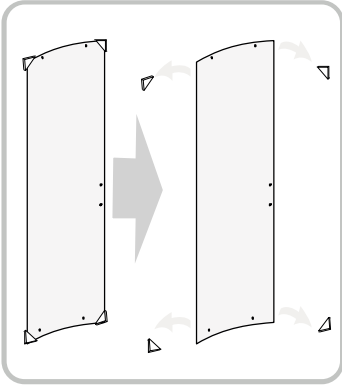


⚠ X = Y ⚠



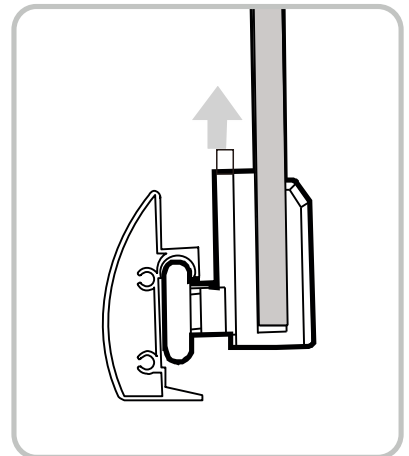
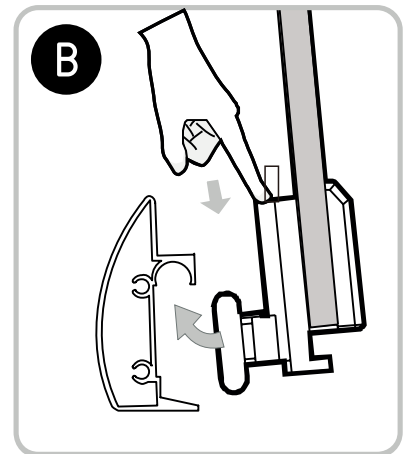
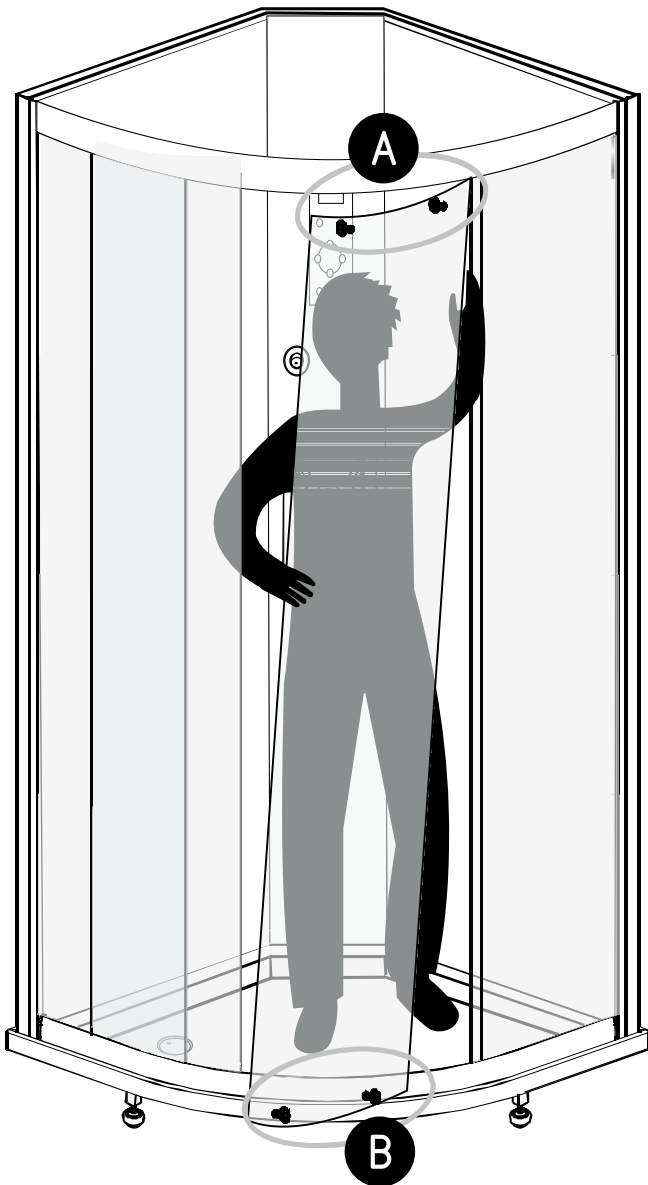
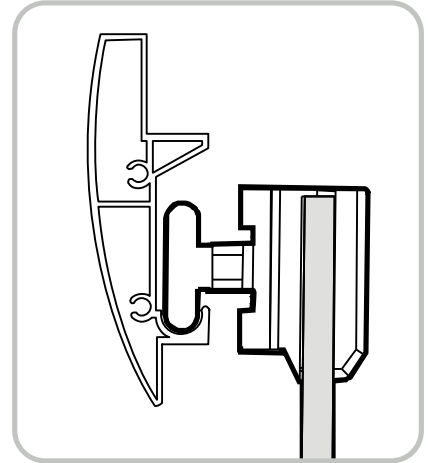
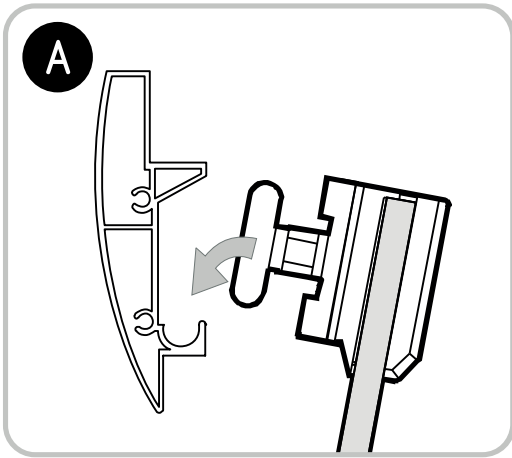
Step

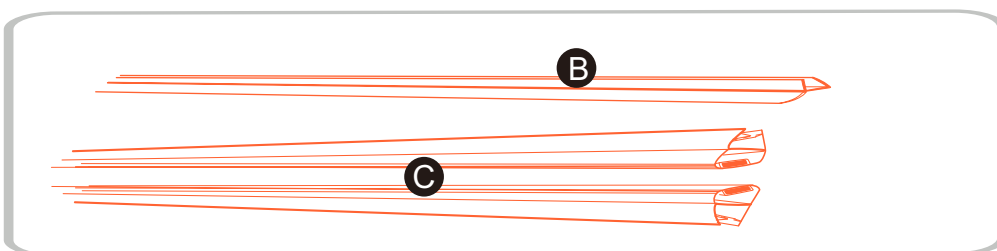
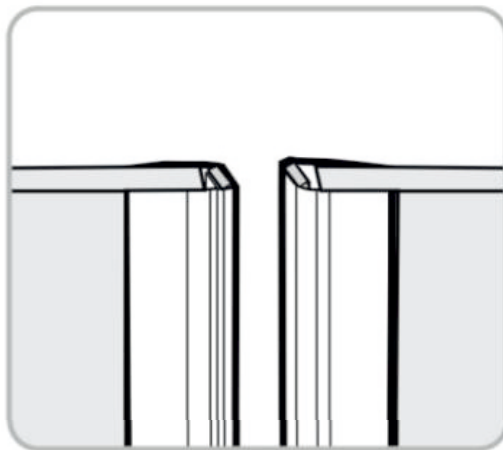
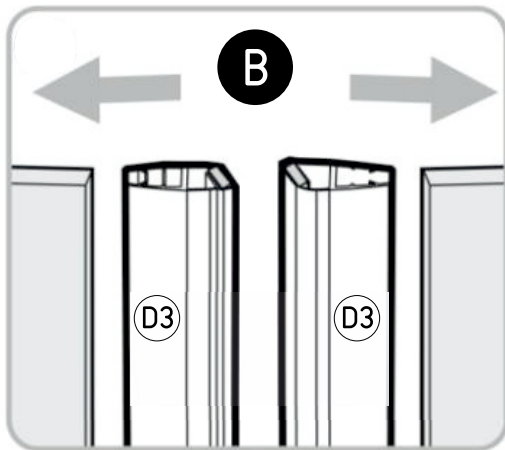
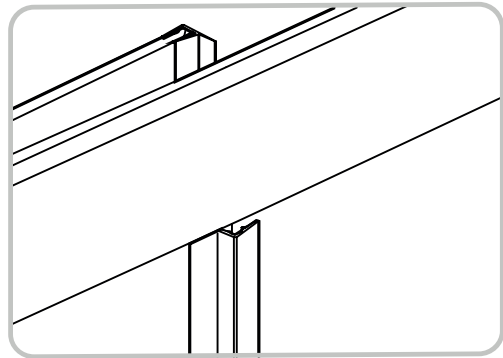
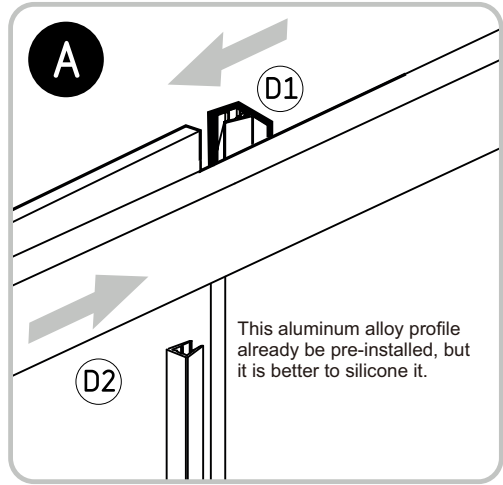
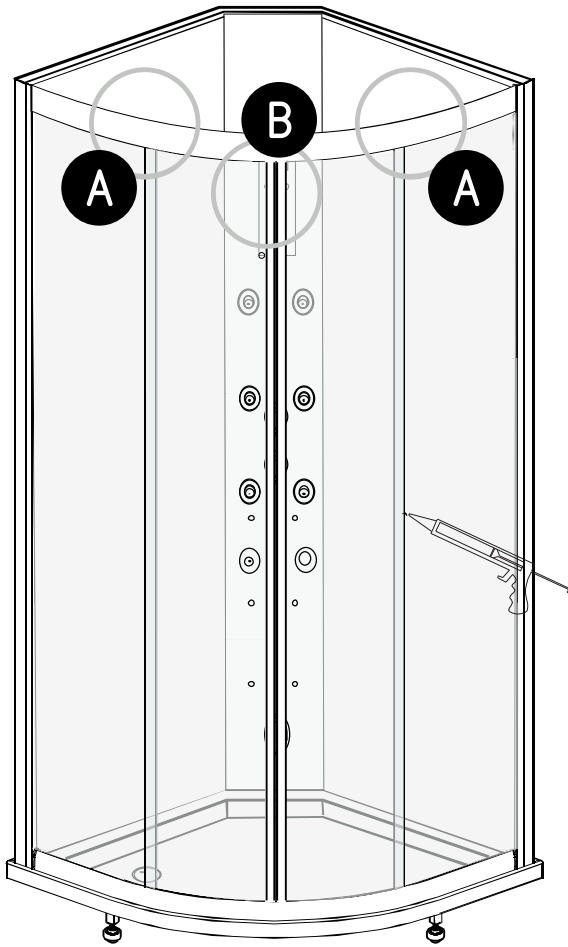
11



Step

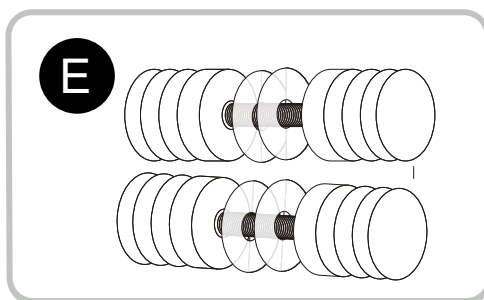
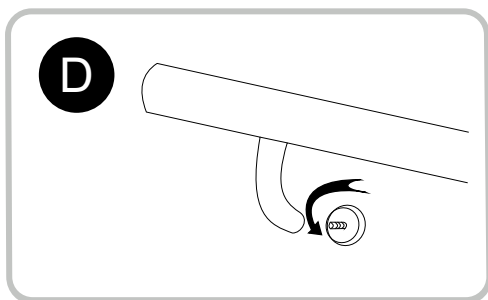
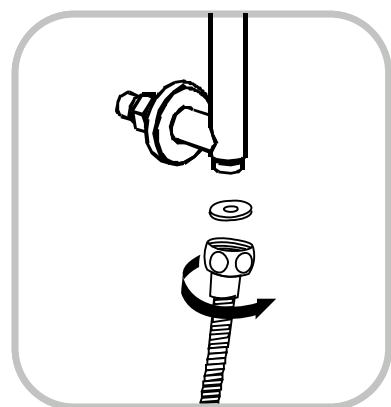
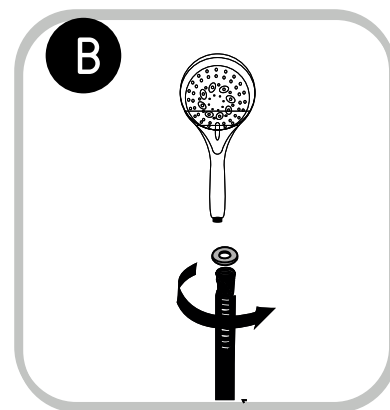
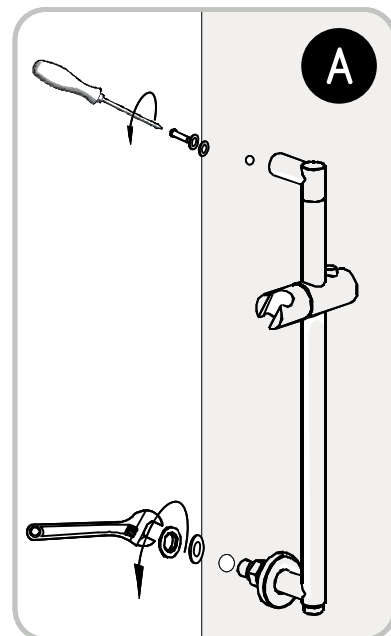
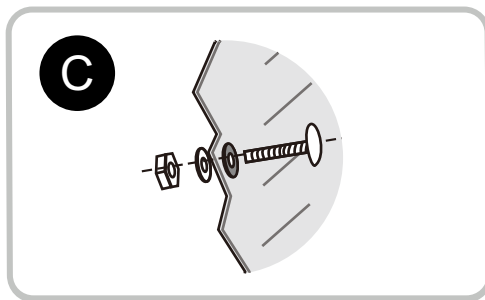
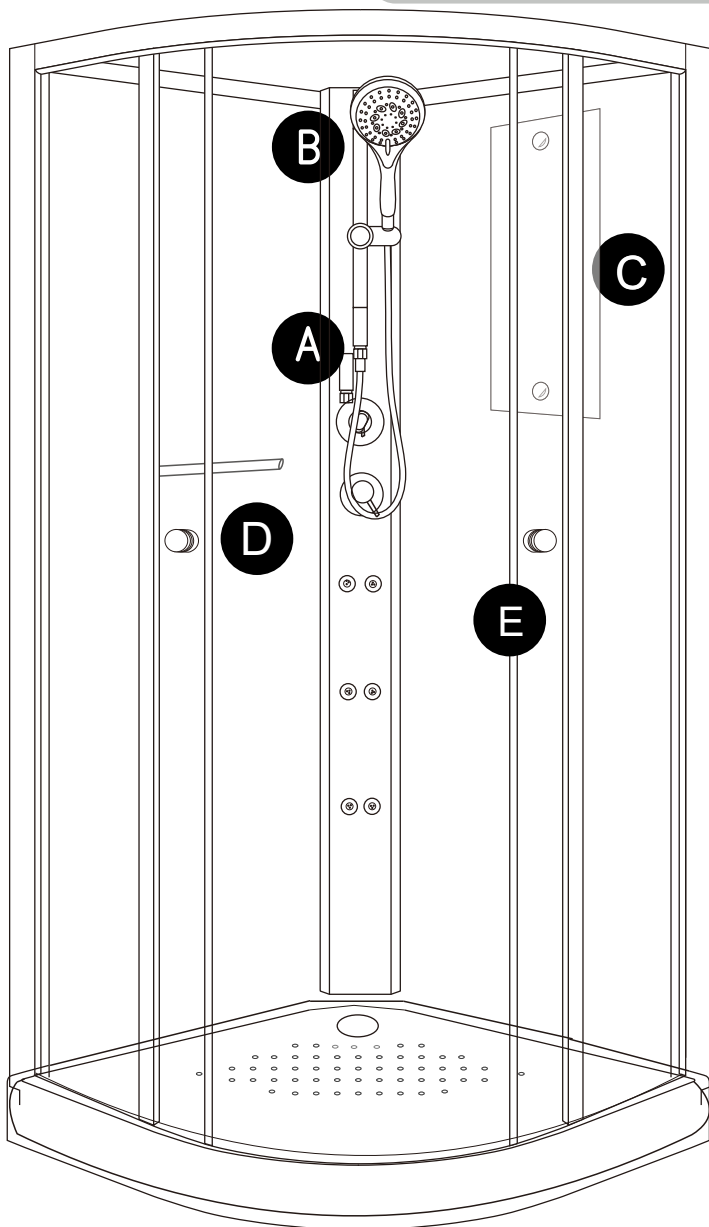
12





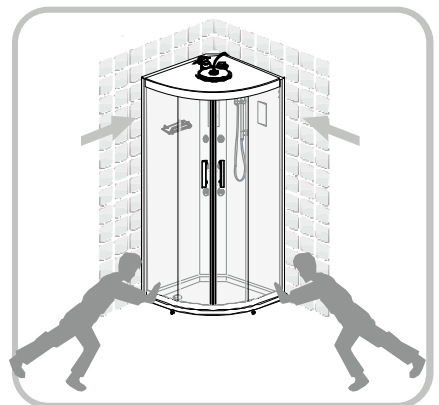
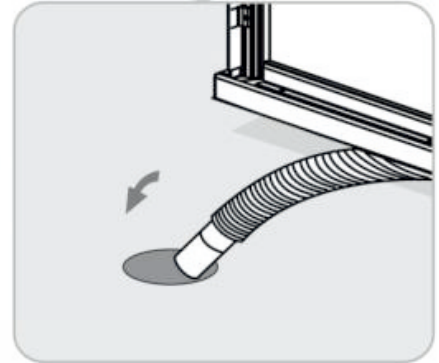
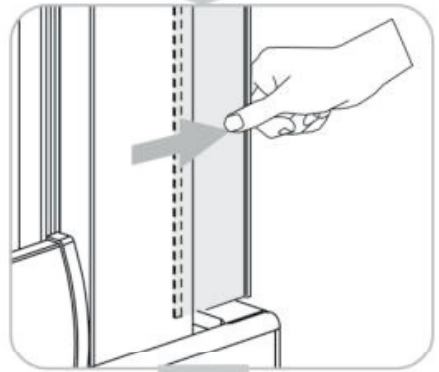
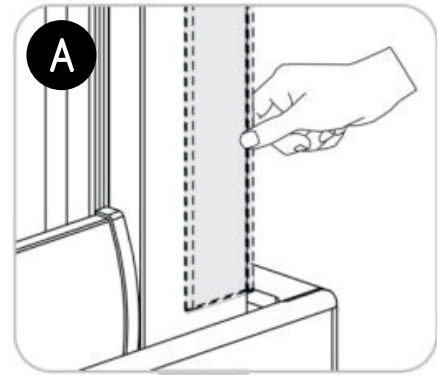
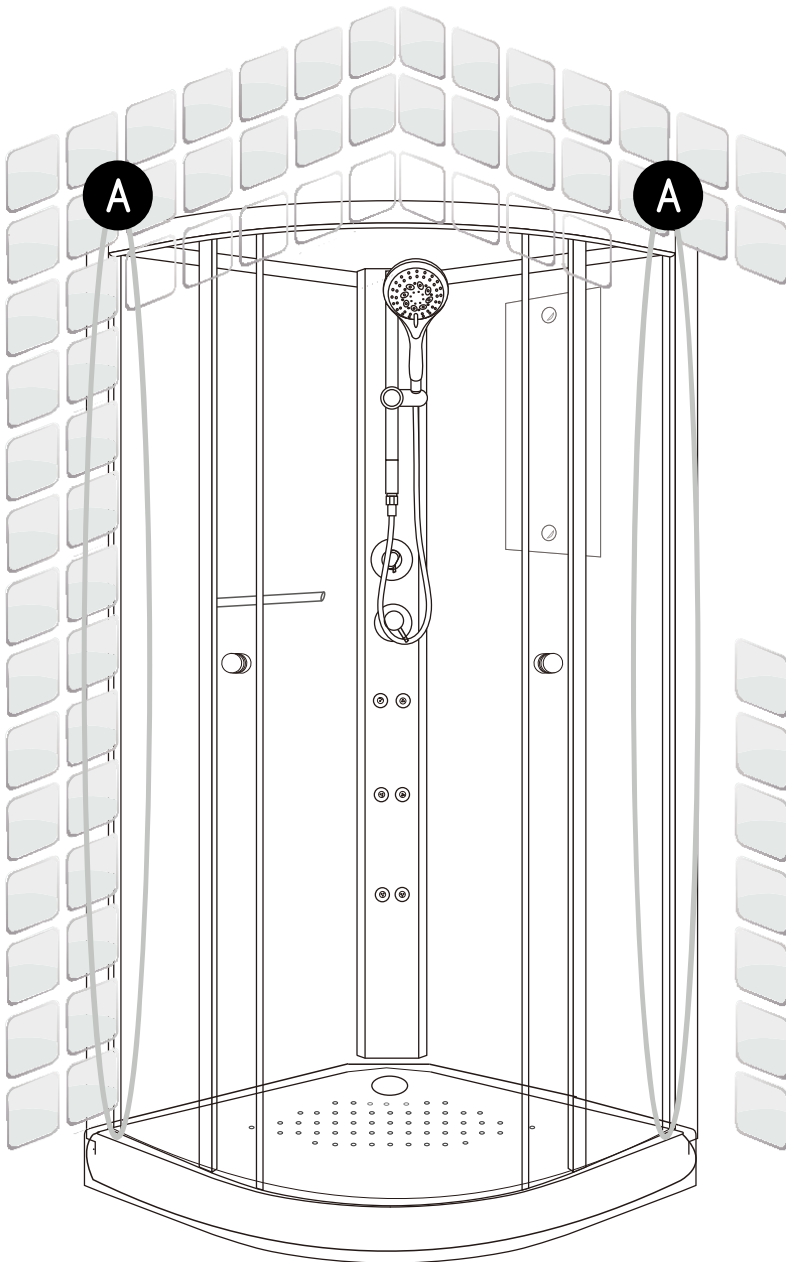
Step

14



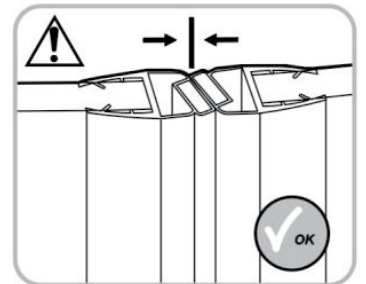
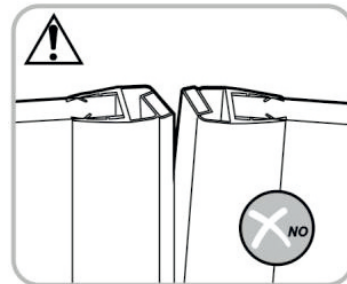
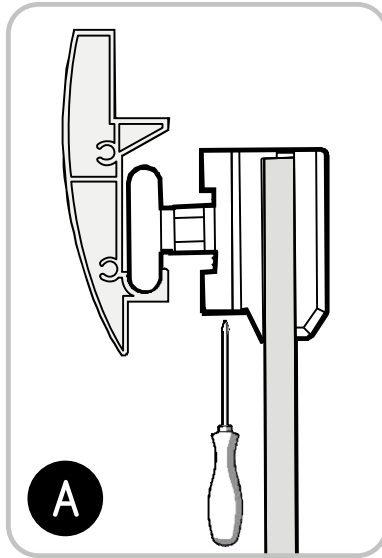
Step

15



Step

16



Silicone (under bottom of profile) the horizontal profile meets the tray