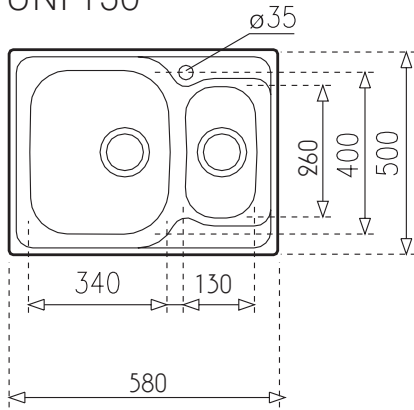
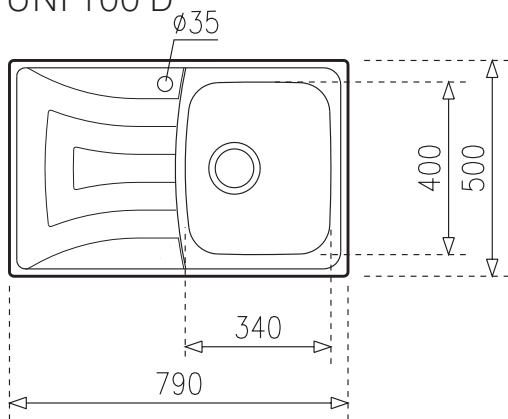


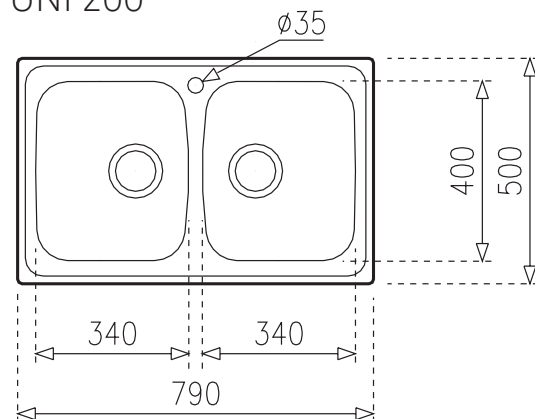
UNI 150



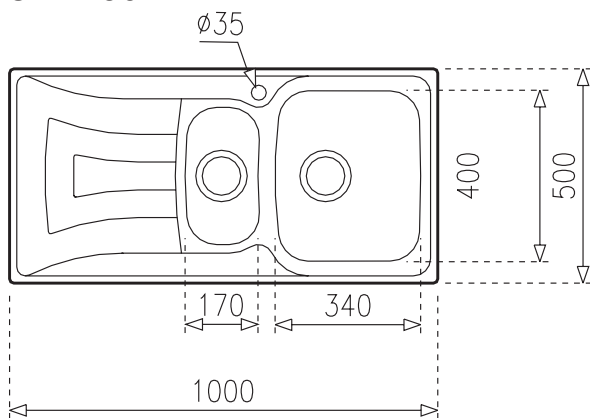
UNI 100 D



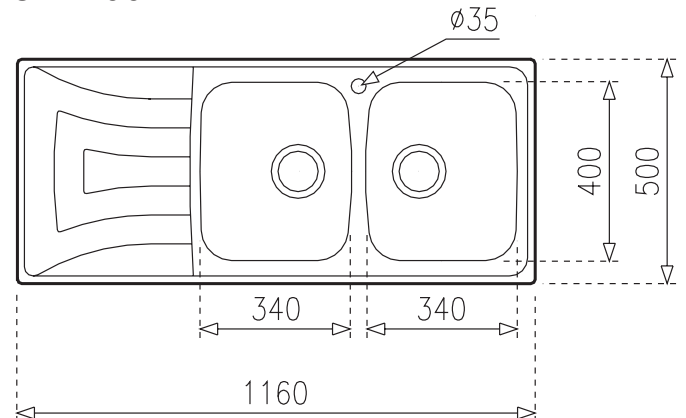
UNI 200



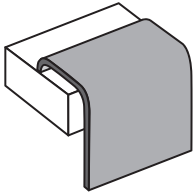
UNI 150 D



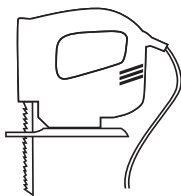
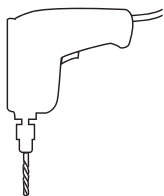
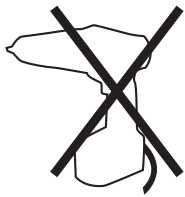
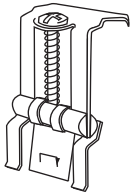
UNI 200 D



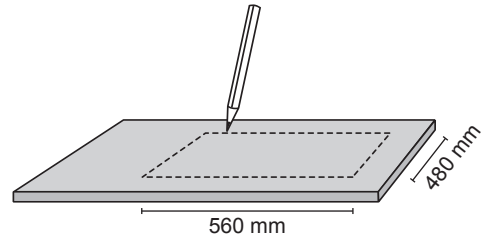
# IntraUniverso



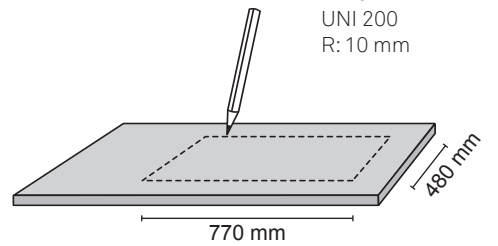
## INCLUDED



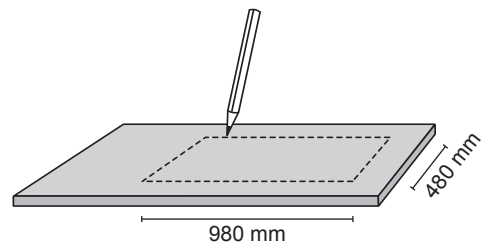
UNI 150  
R: 10 mm



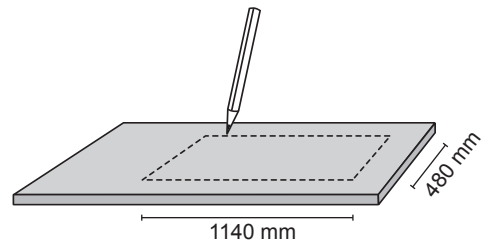
UNI 100 D  
R: 10 mm  
UNI 200  
R: 10 mm



UNI 150 D  
R: 10 mm

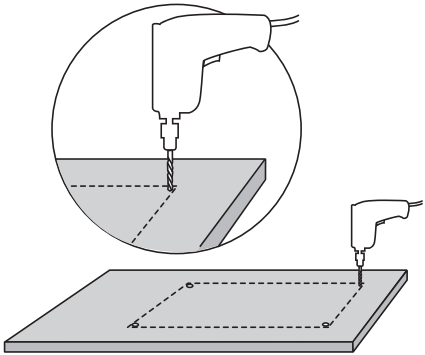


UNI 200 D  
R: 10 mm

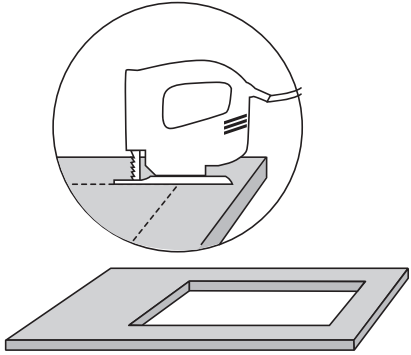


# IntraUniverso

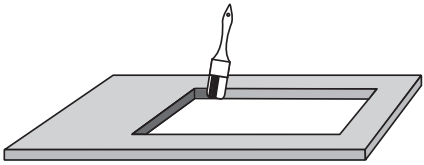
2



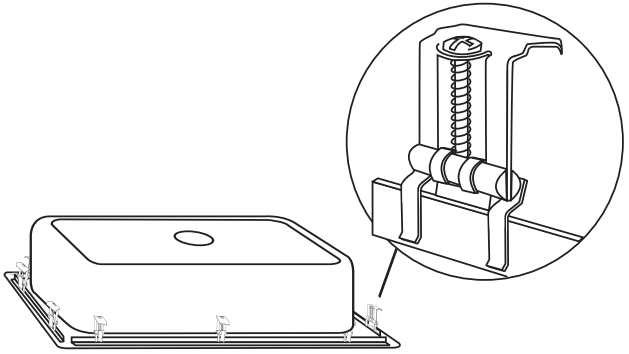
3



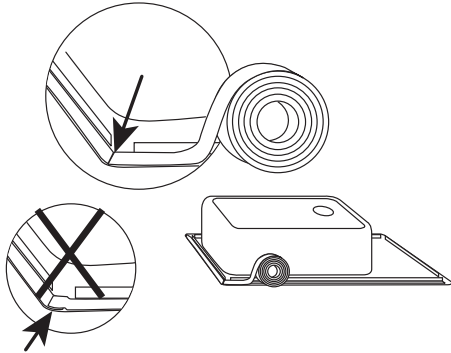
4



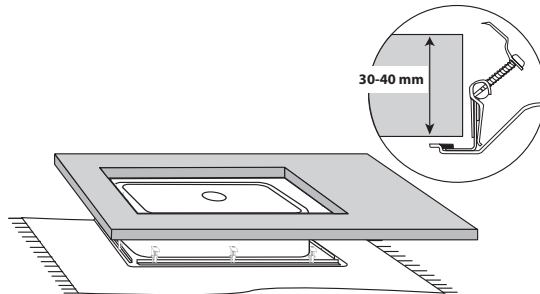
5



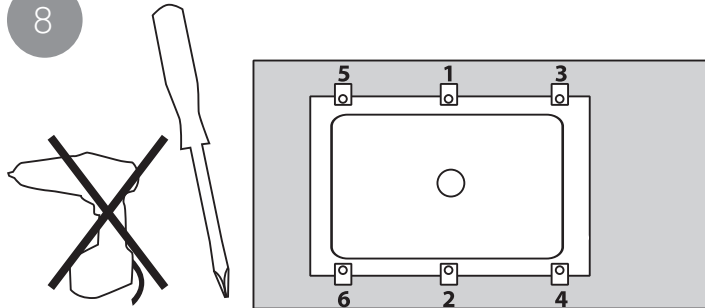
6



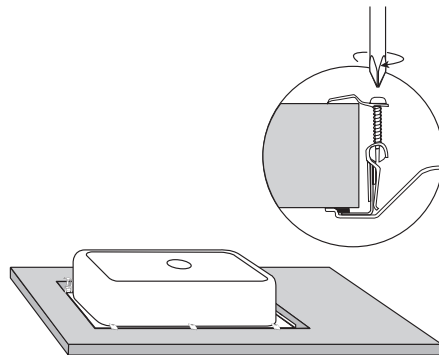
7



8



9



770580