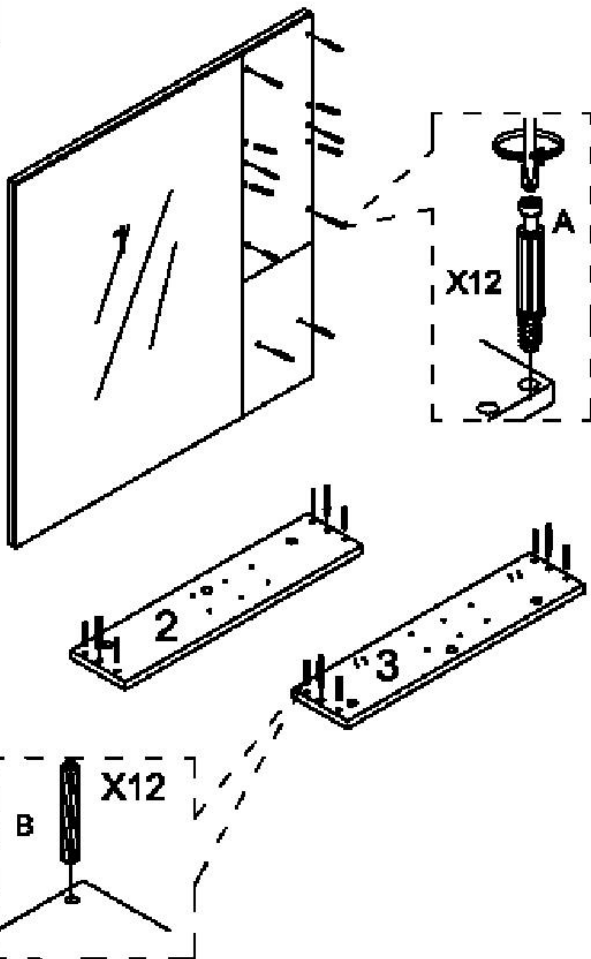


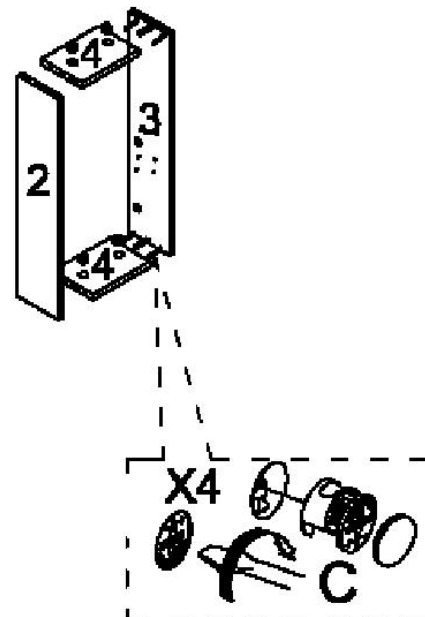
- | | | | | | |
|----------|----------|----------|----------|----------|----------|
| A | B | C | D | E | F |
| | | | | | |
| X12 | X12 | X12 | X2 | X4 | X2 |

- G**
-
- H**
- X1

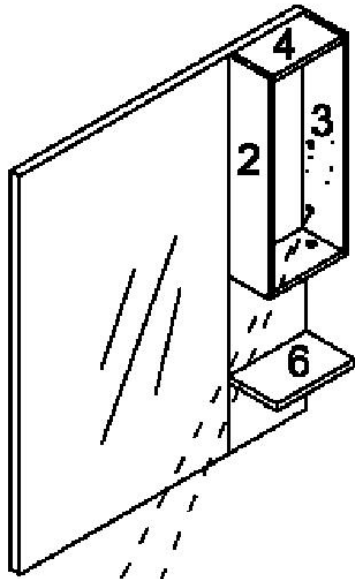
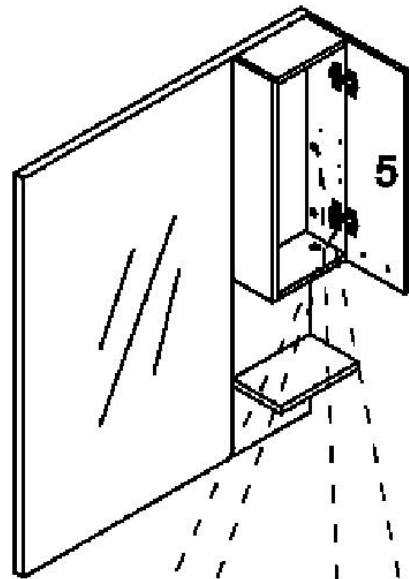
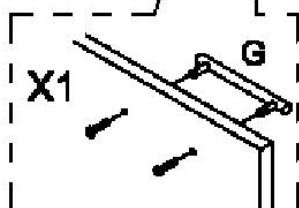
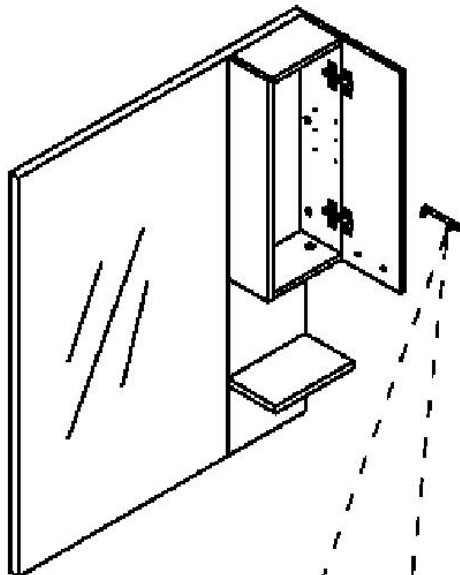
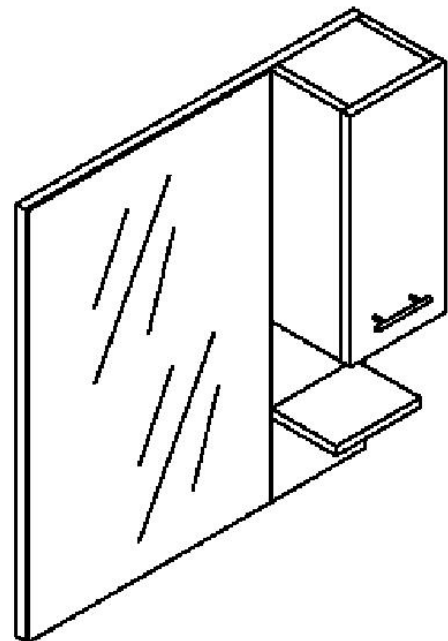
1

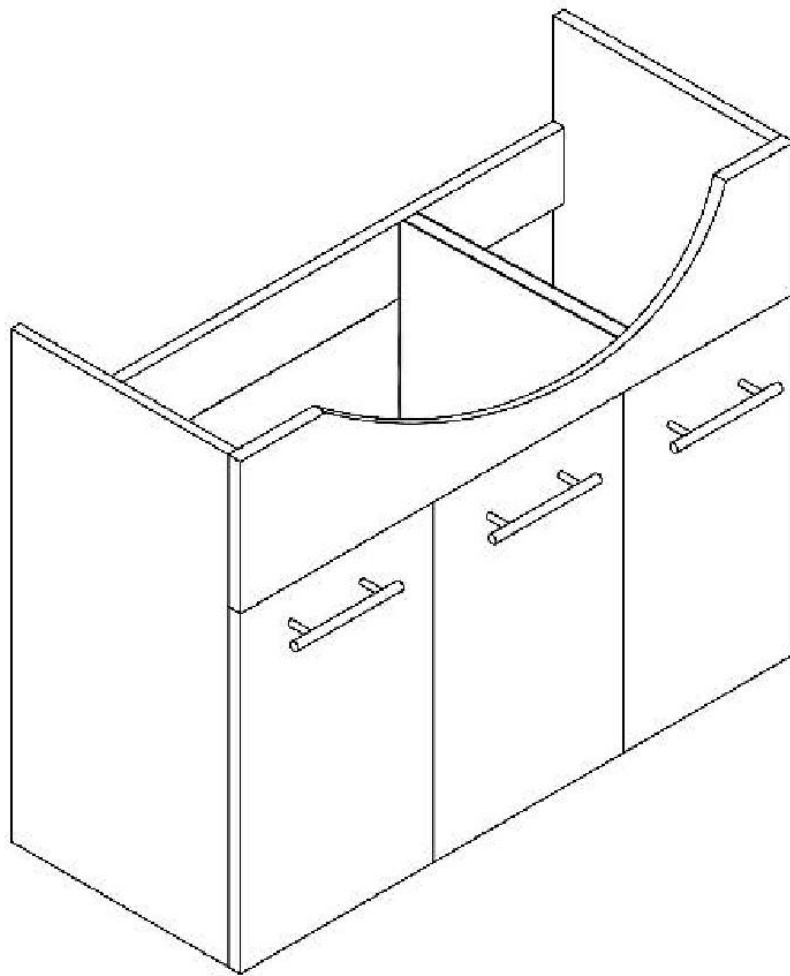


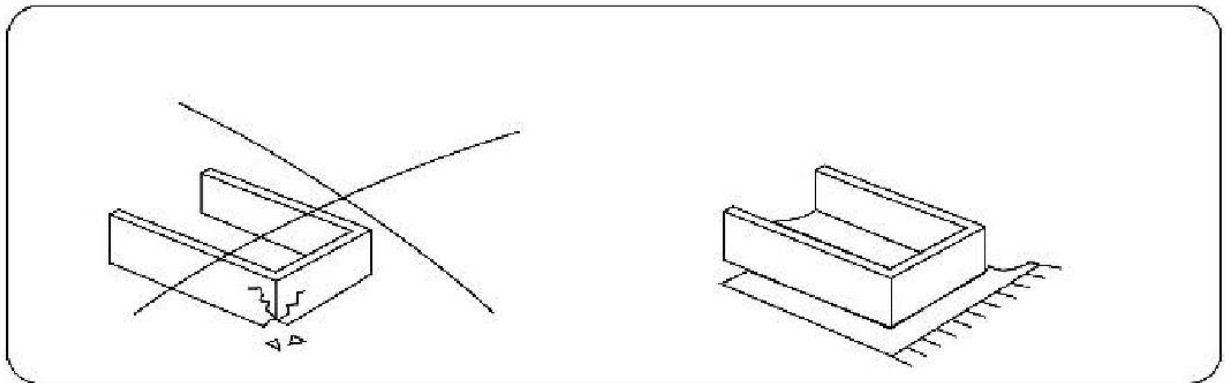
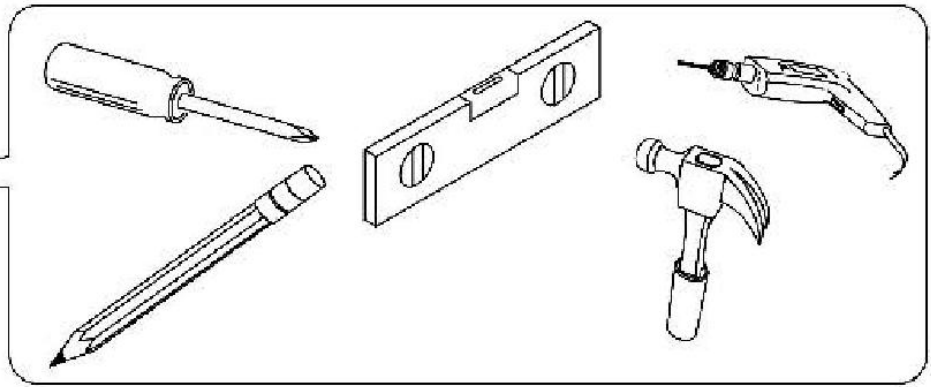
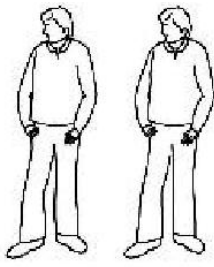
2



1

3**4****5****6****2**





A



X22

B



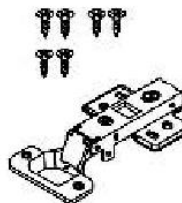
X14

C



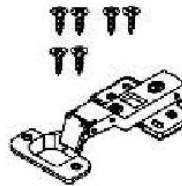
X22

D



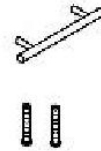
X4

E



X2

F



X3

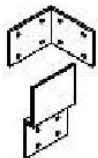
G



ST4*14

X16

H



X2

I

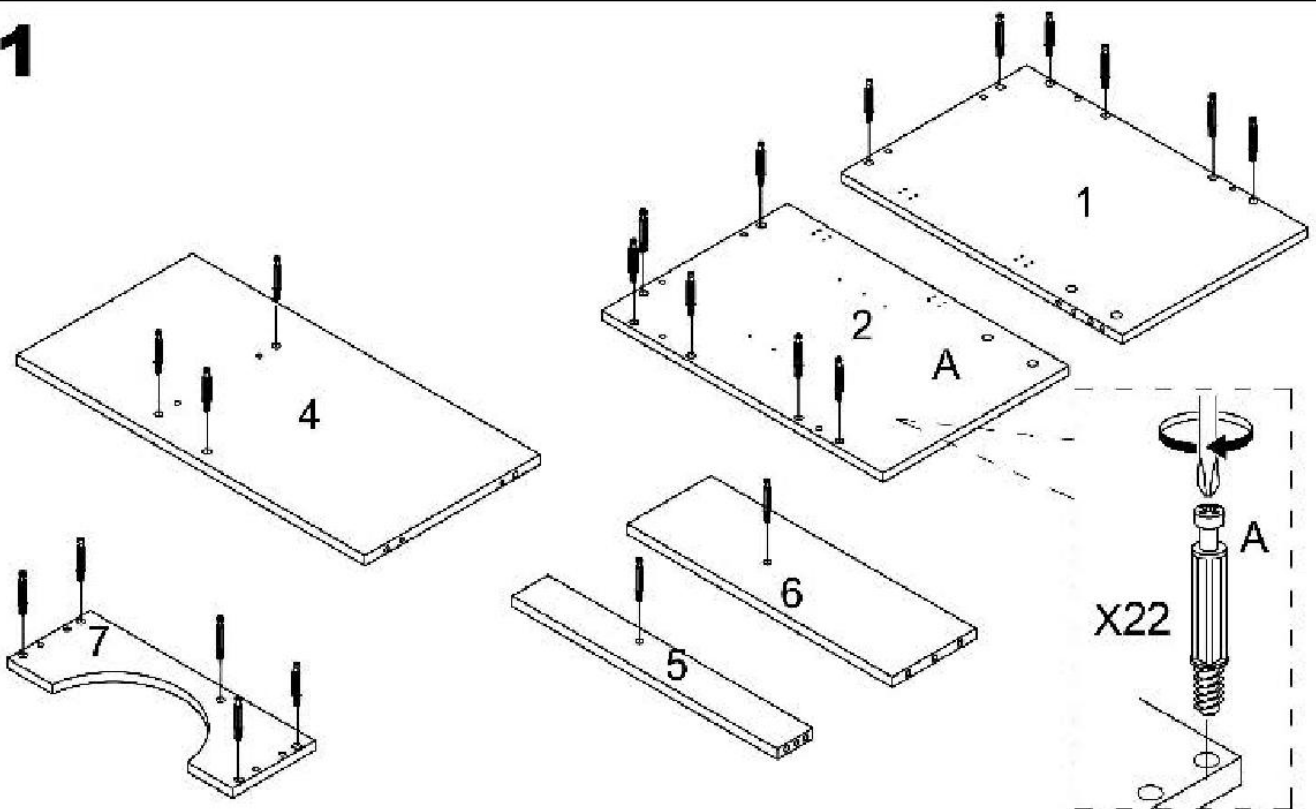
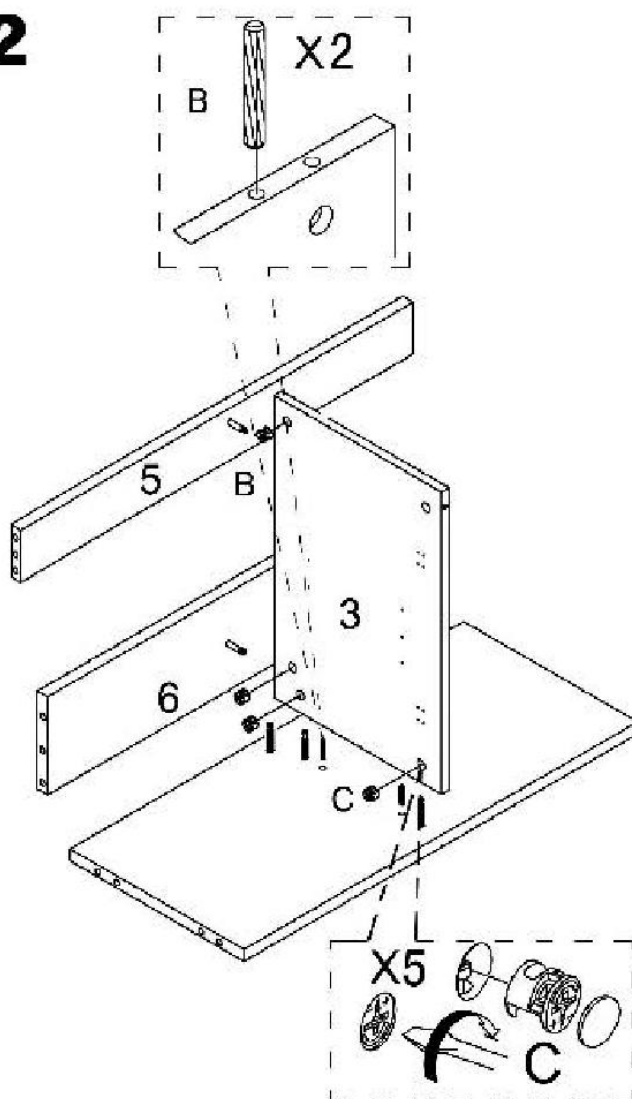
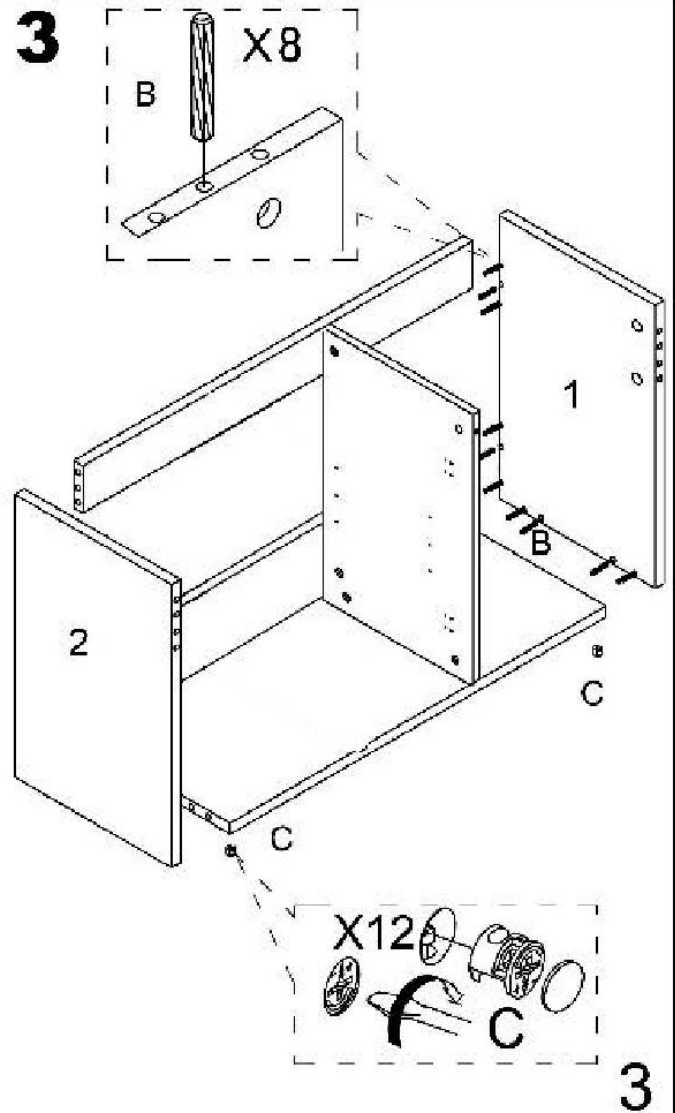


X8

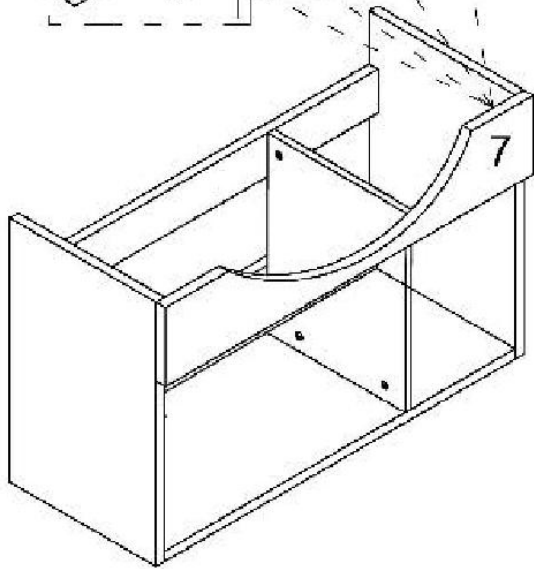
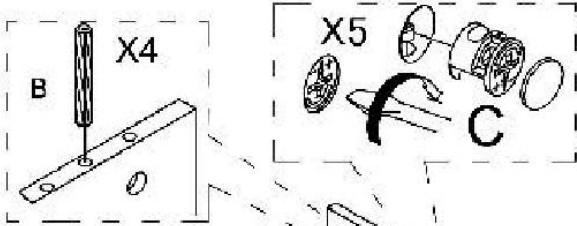
J



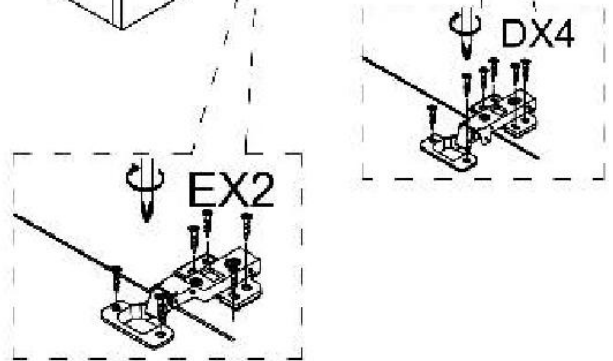
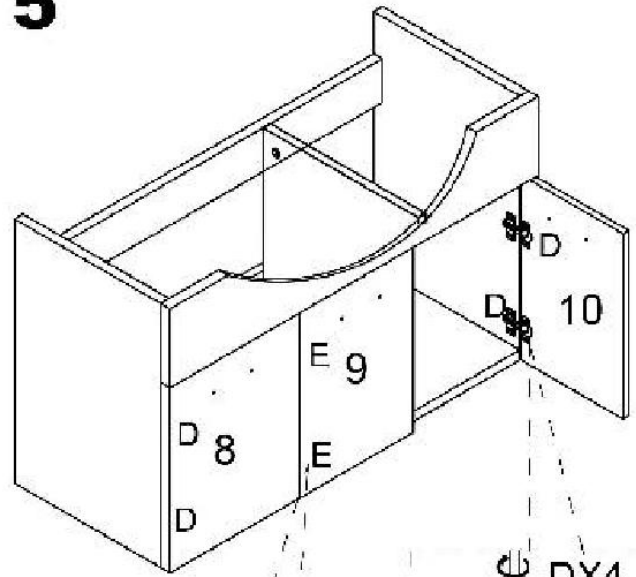
X4

1**2****3****3**

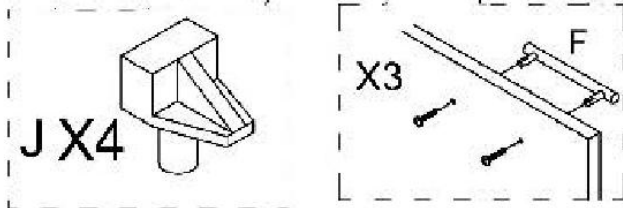
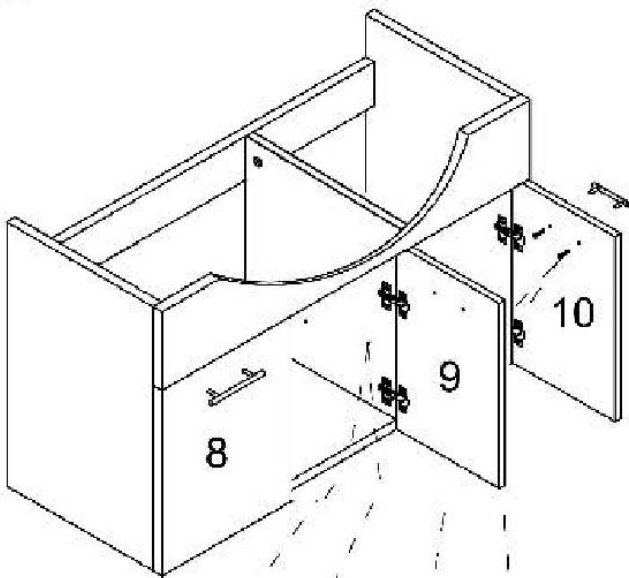
4



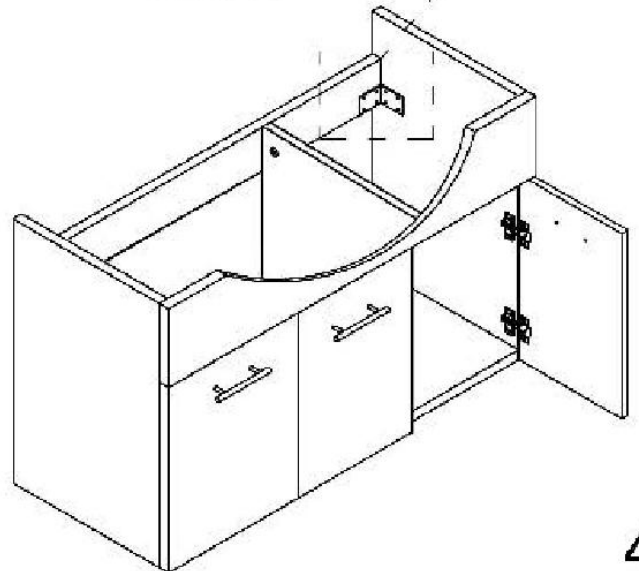
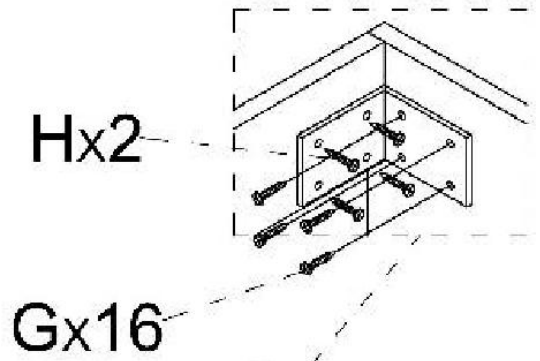
5



6

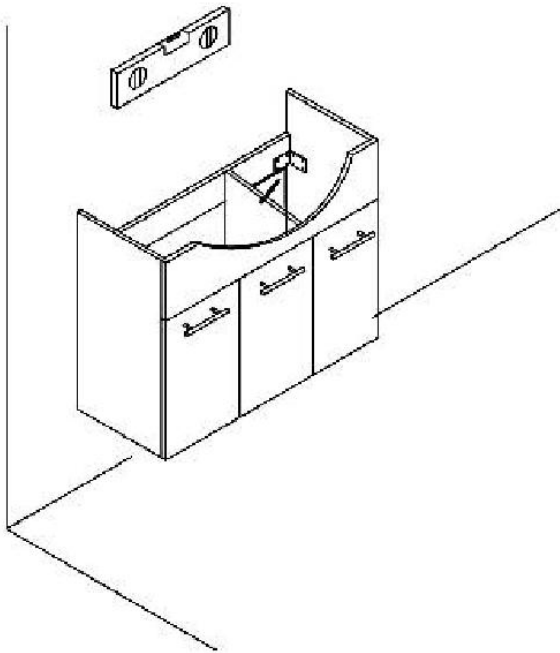


7

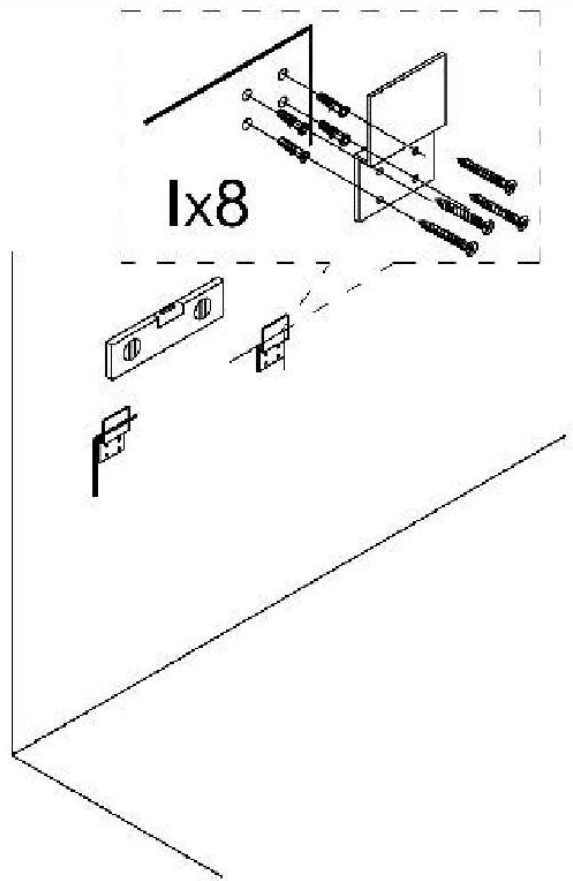


4

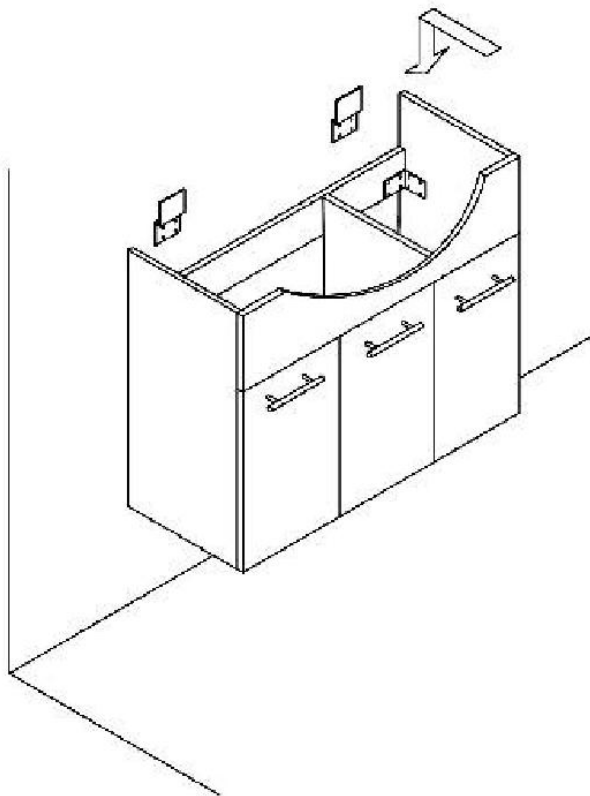
8



9



10



11

