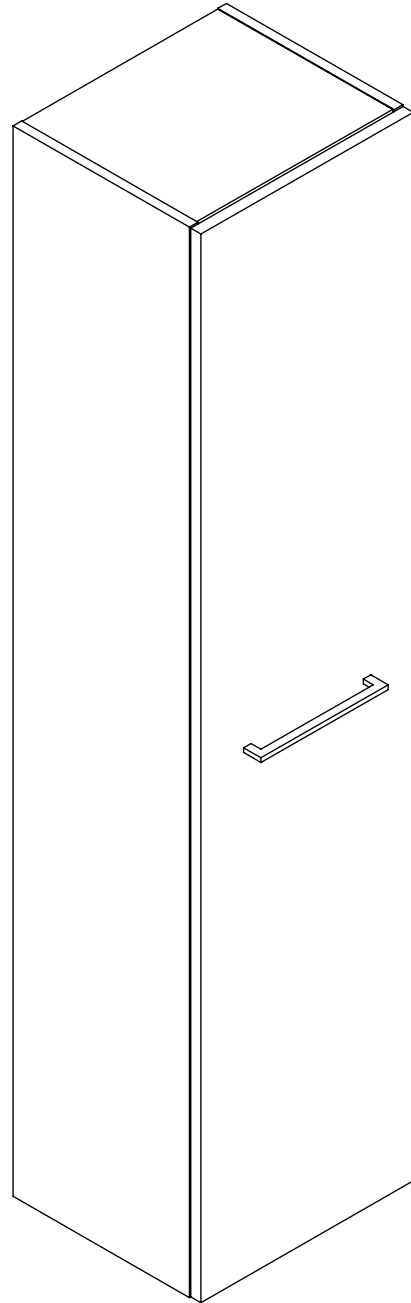
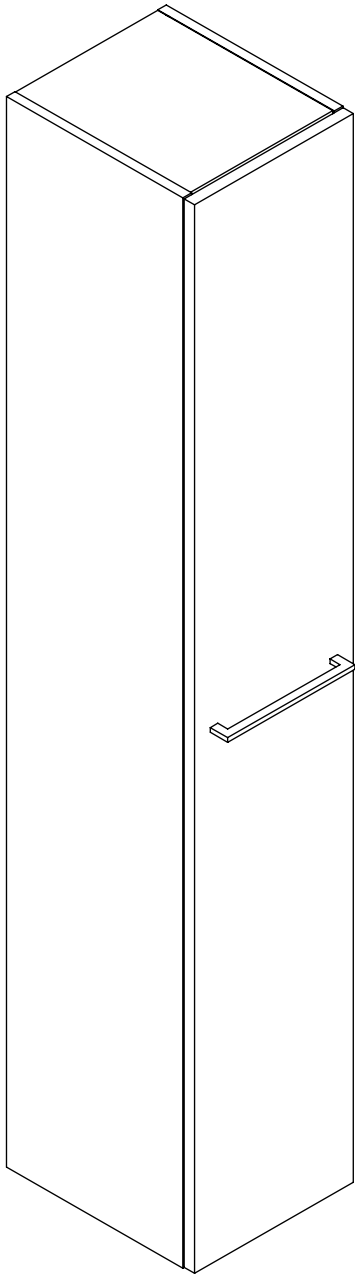
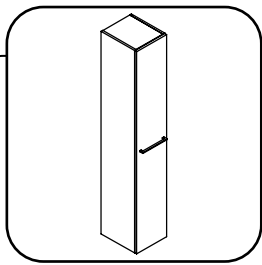




DANSANI
DANISH BATHROOM DESIGN





6x
5-500



2x
390010190



6x
5,0-60SU



6x
3900100xx



4x
190300734



8x
4,0-16LH



4x
19500000



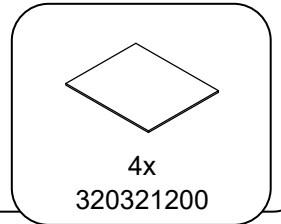
4x
3,5-15SU



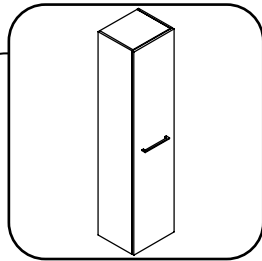
4x
190040735



16x
415533



4x
320321200



6x
5-500



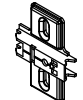
2x
390010190



6x
5,0-60SU



6x
3900100xx



4x
190040200



8x
4,0-16LH



4x
19500000



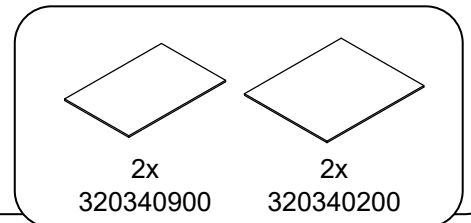
4x
3,5-20SU



4x
390010110



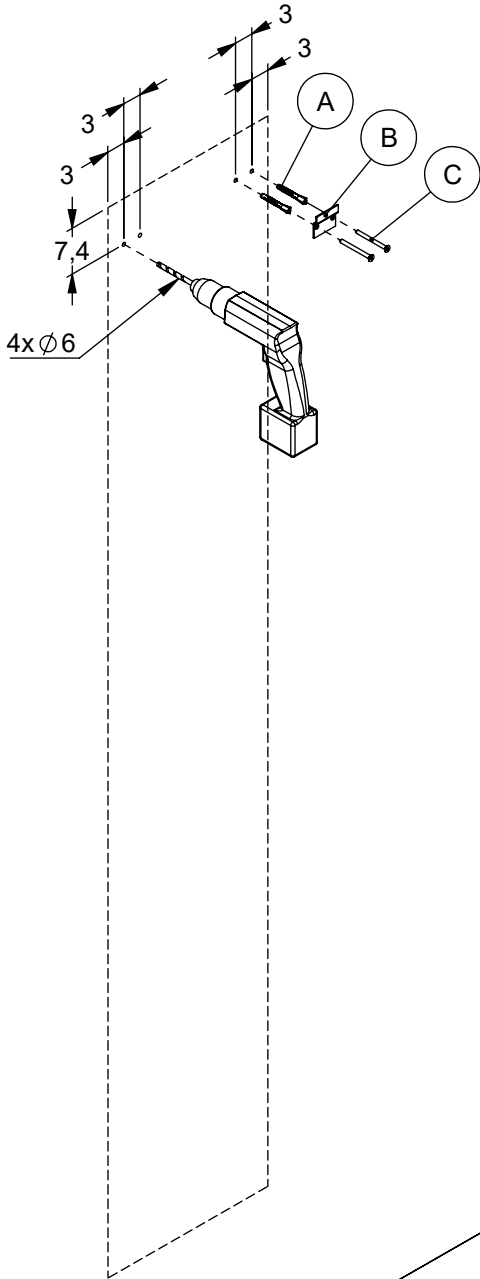
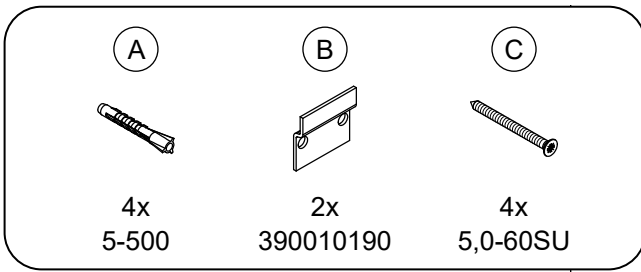
16x
415533



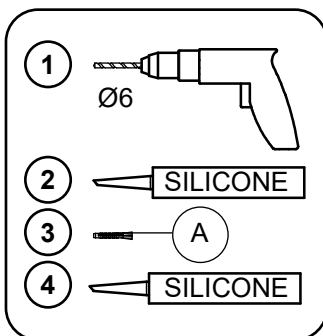
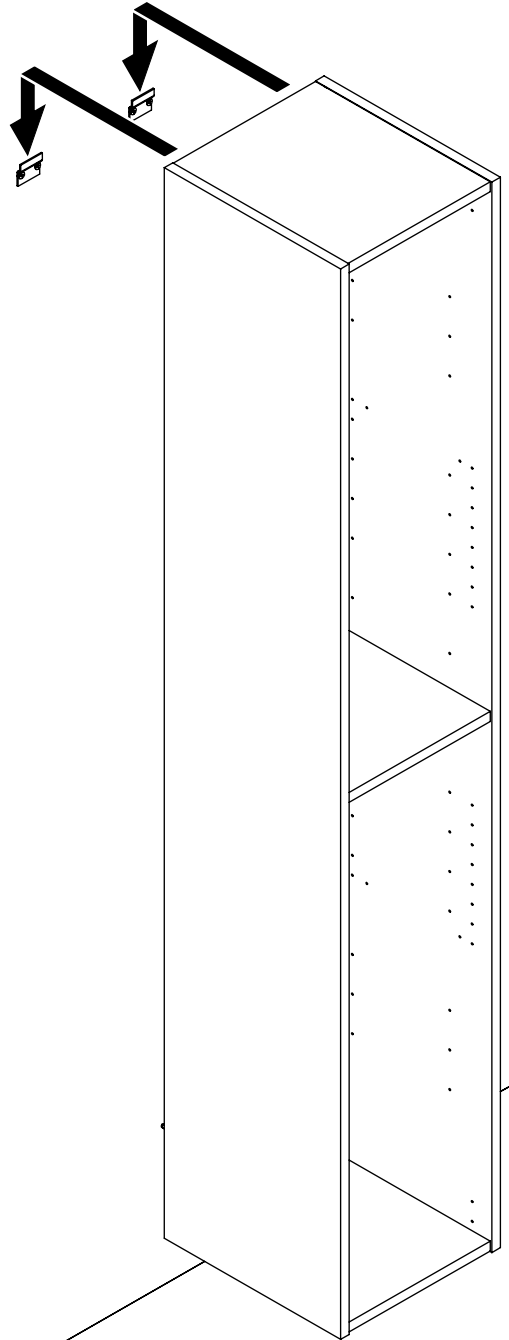
2x
320340900

2x
320340200

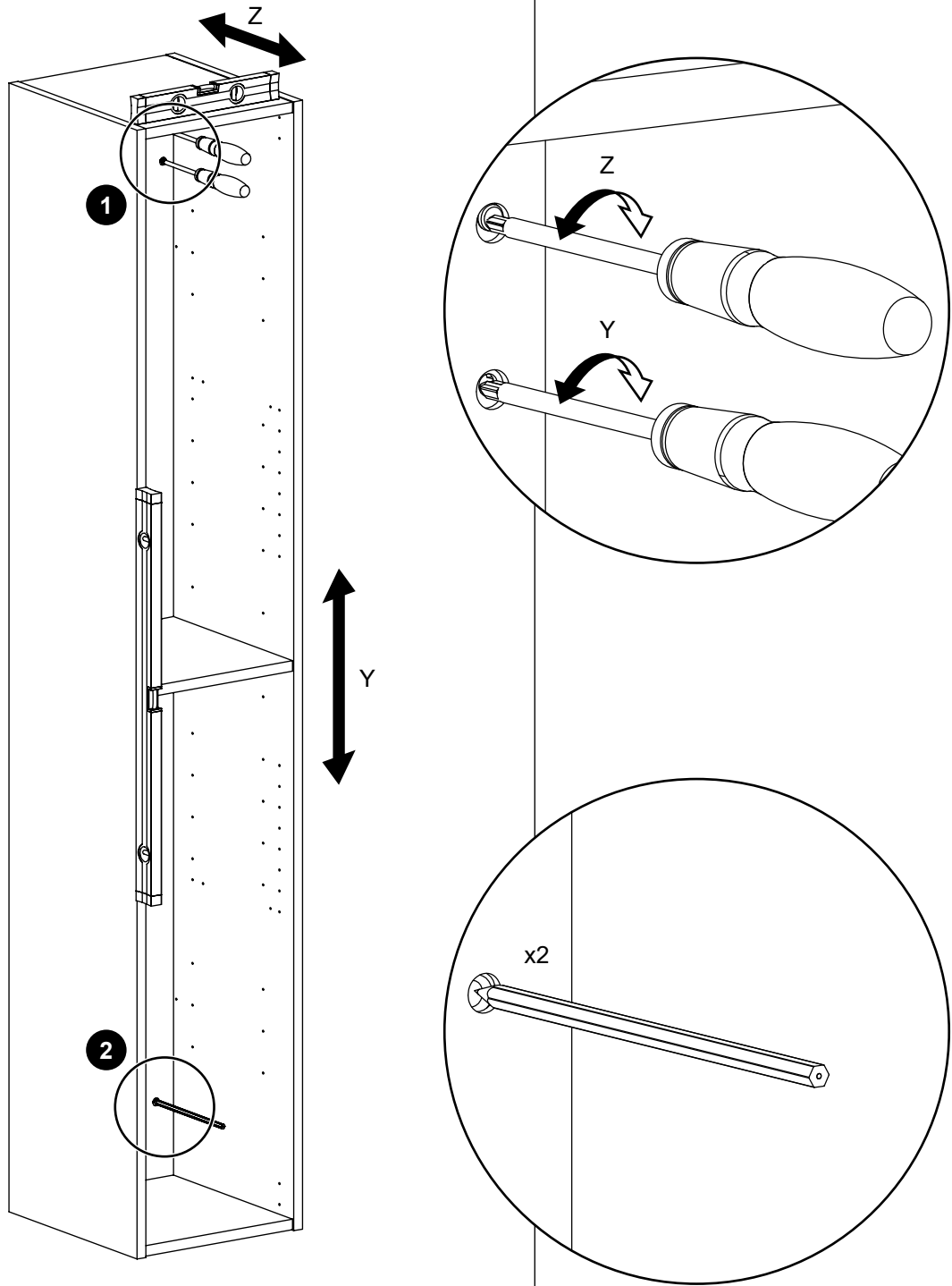
1



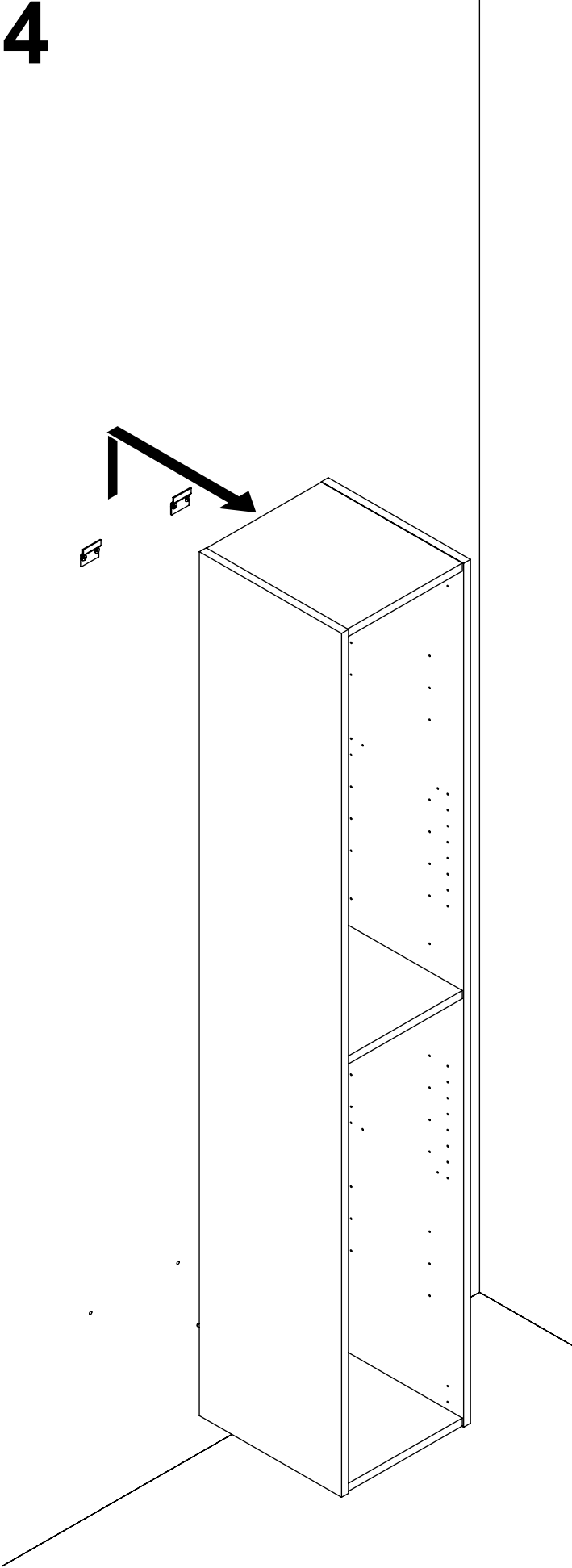
2



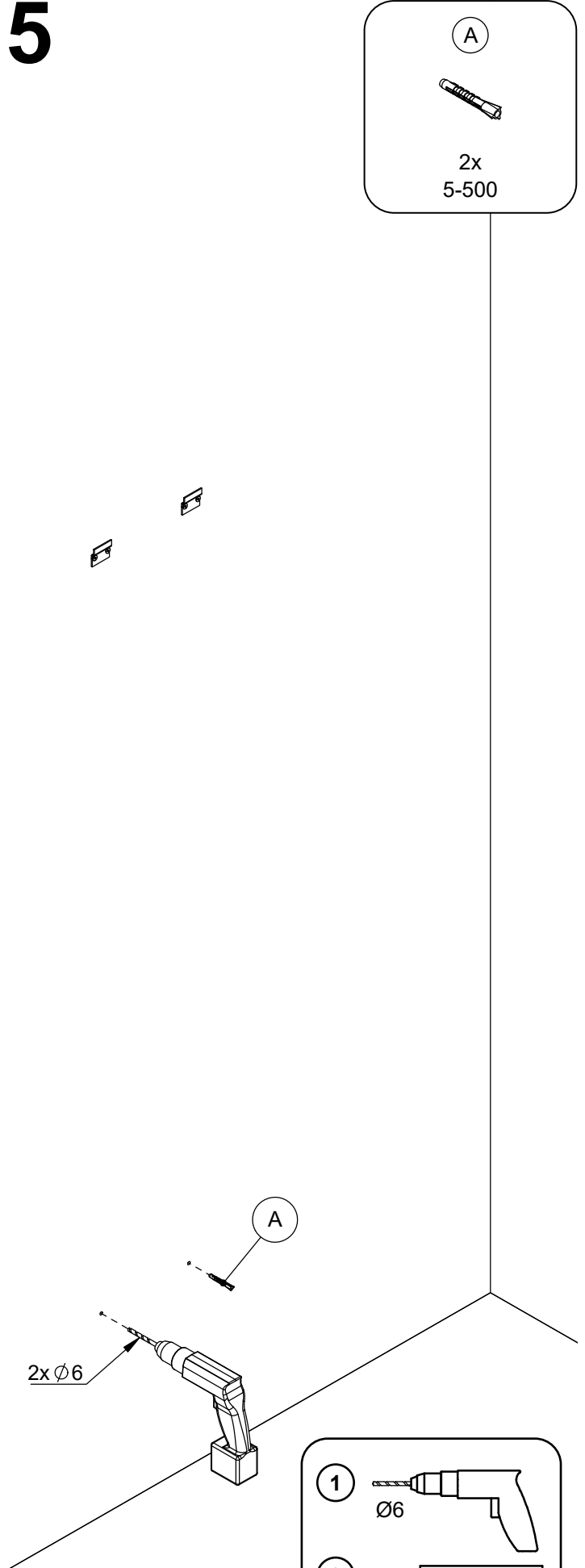
3




4



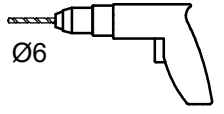
5

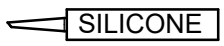



(A)




2x
5-500

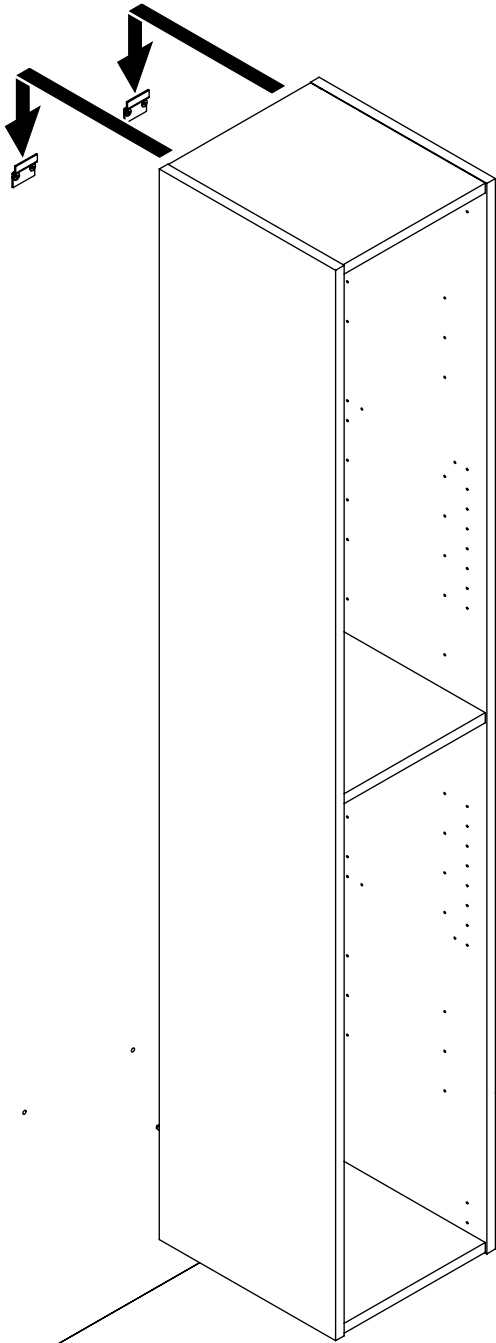
(1)  Ø6

(2)  SILICONE

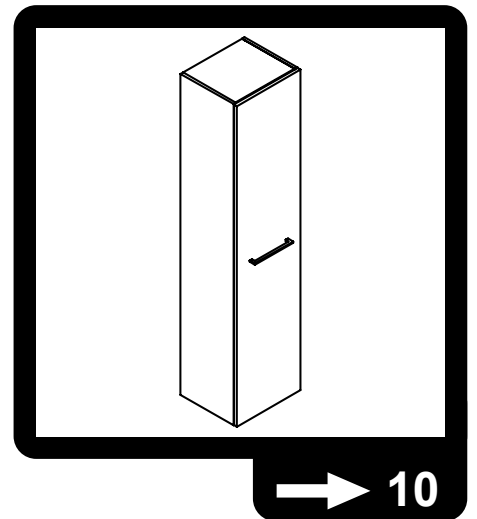
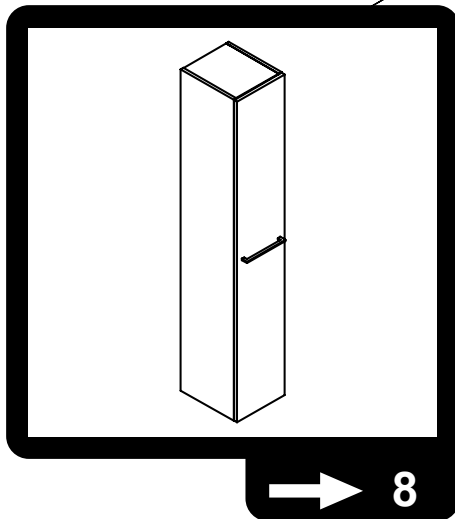
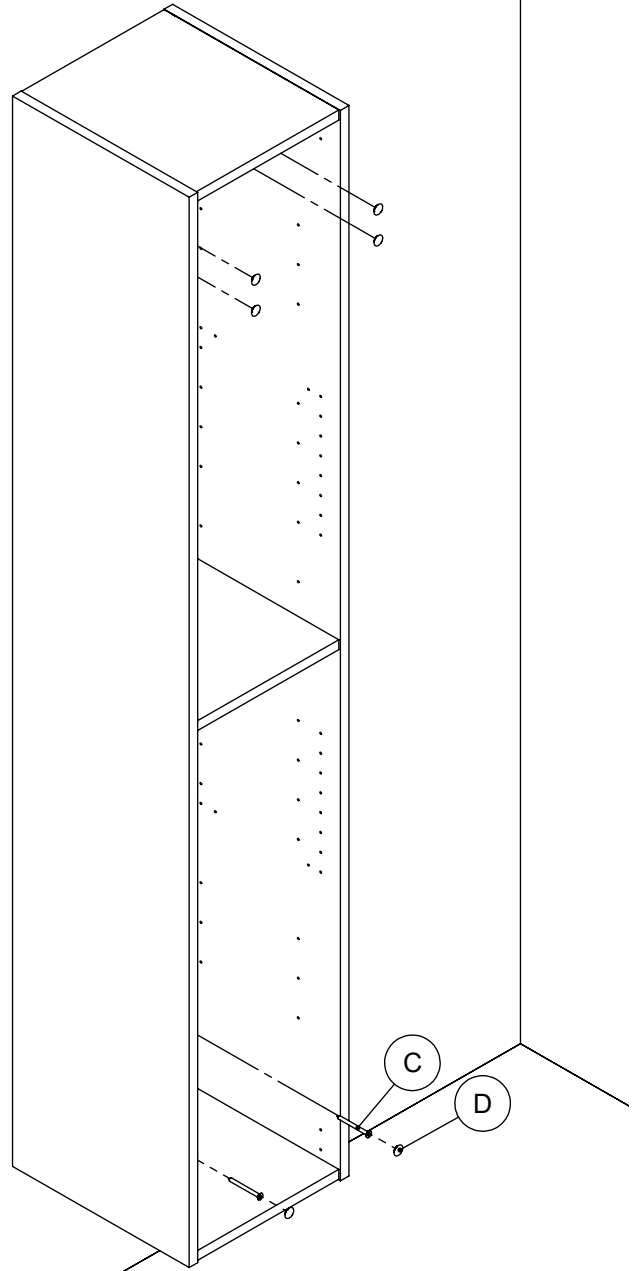
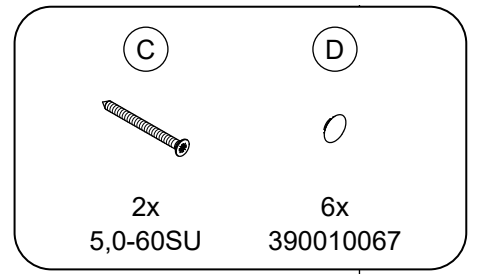
(3)  (A)

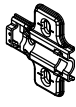
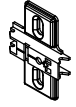
(4)  SILICONE

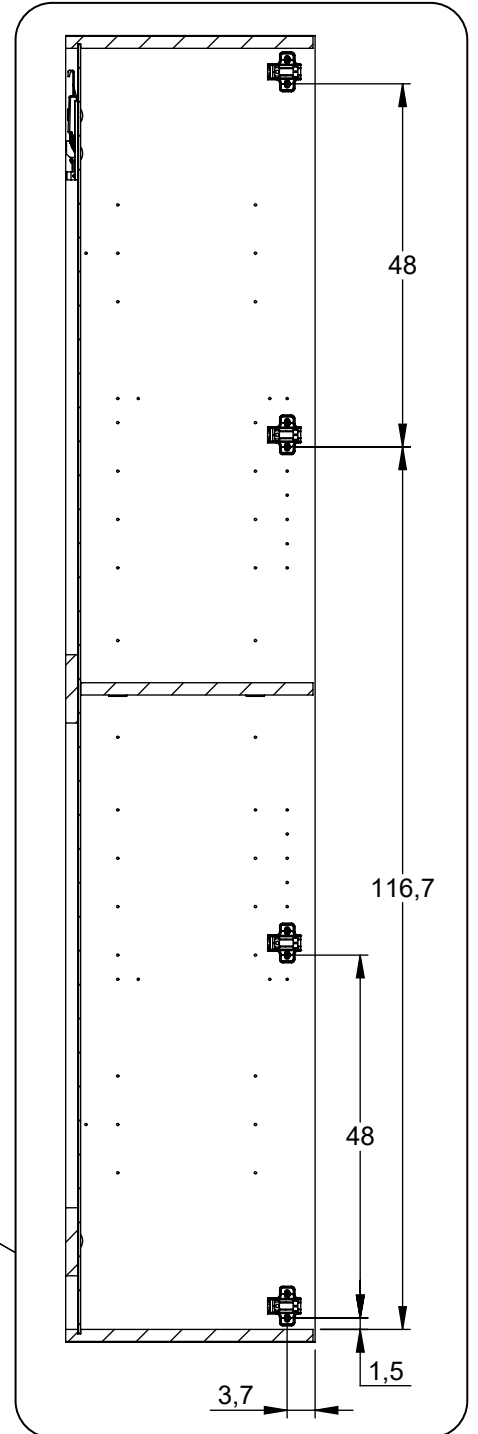
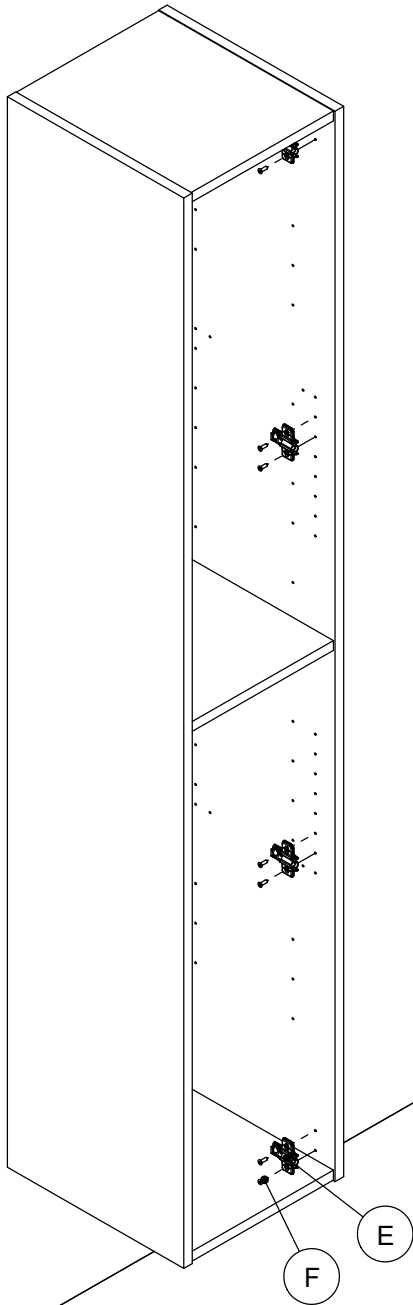
6



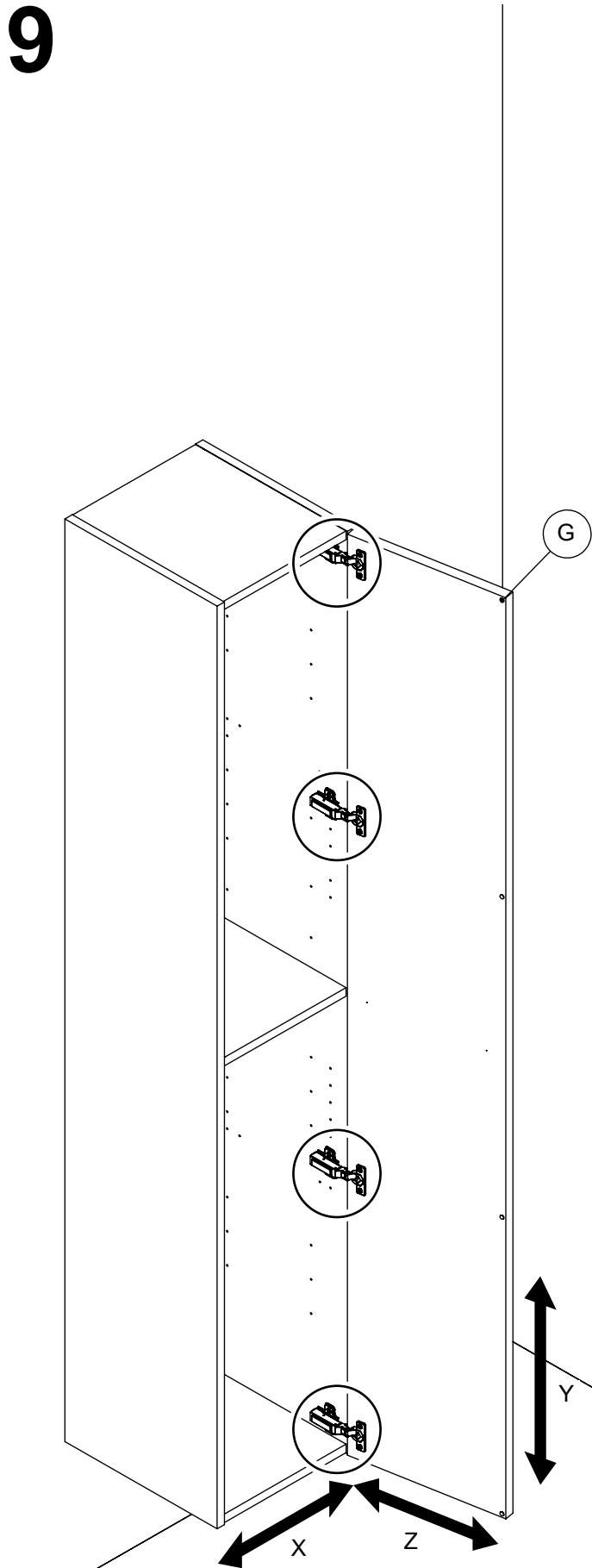
7






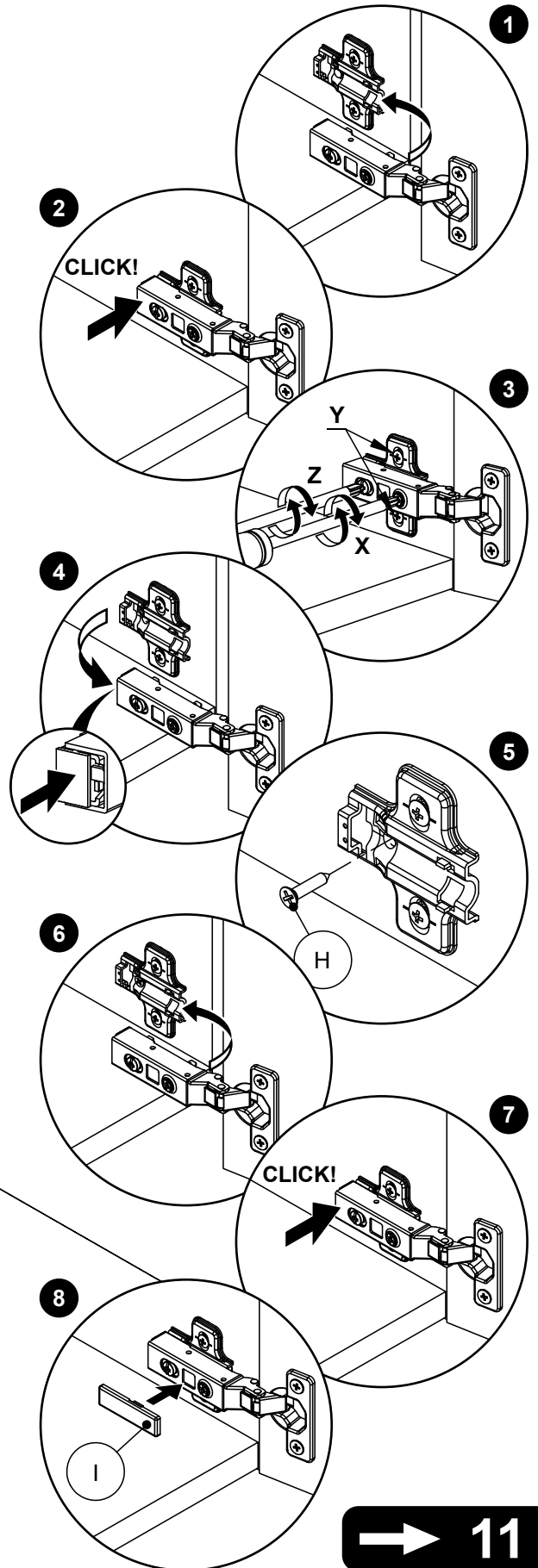
	(E)		(F)
4x		4x	
190300734		190040200	
		8x	
		4,0-16LH	








9

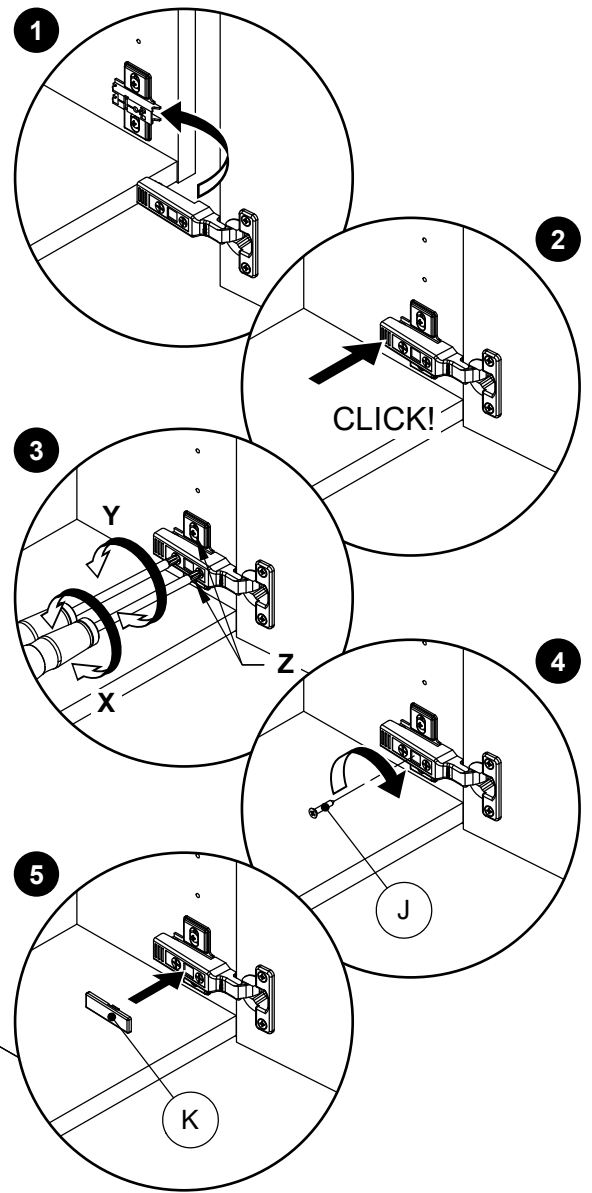
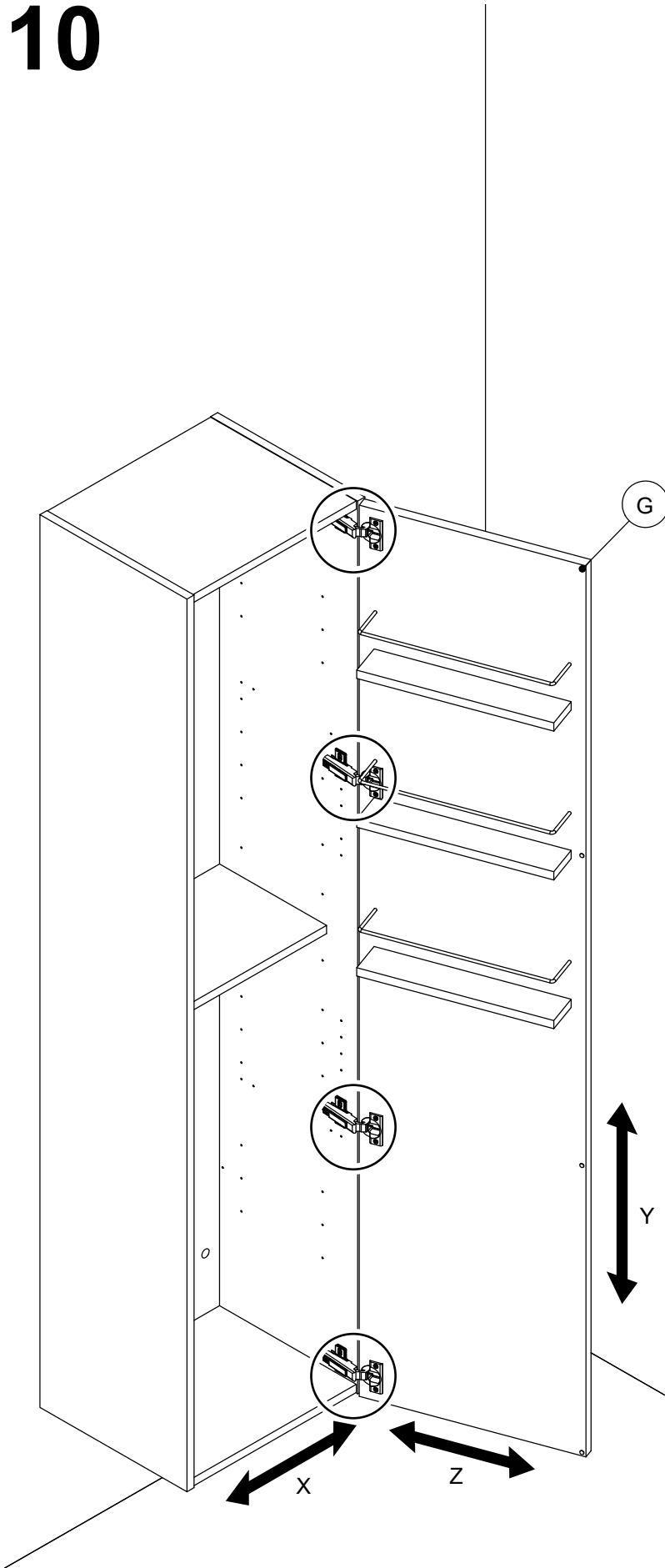



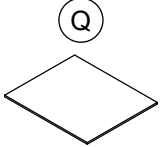
		
4x 19500000	4x 3,5-15SU	4x 190040735

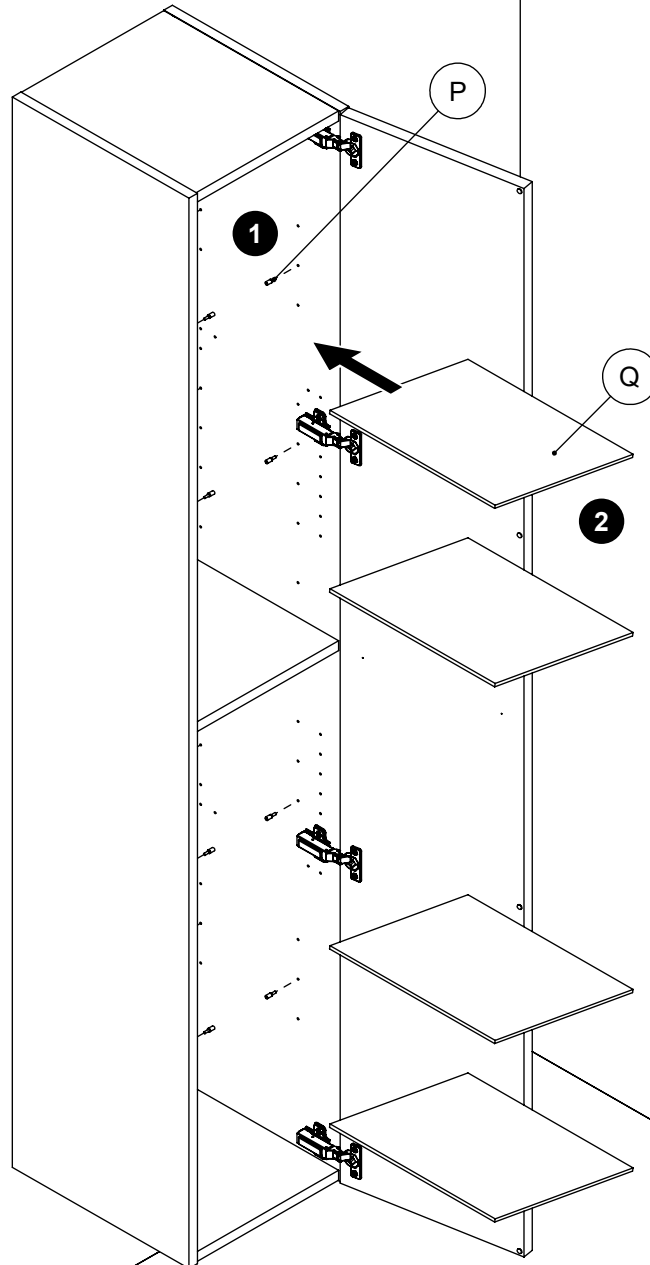


10

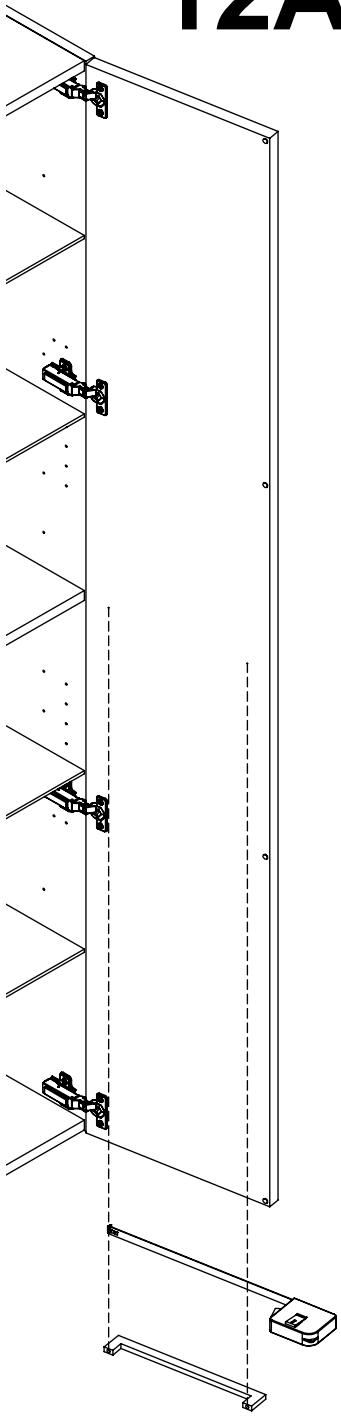
		
o		
4x 19500000	4x 3,5-20SU	4x 390010110



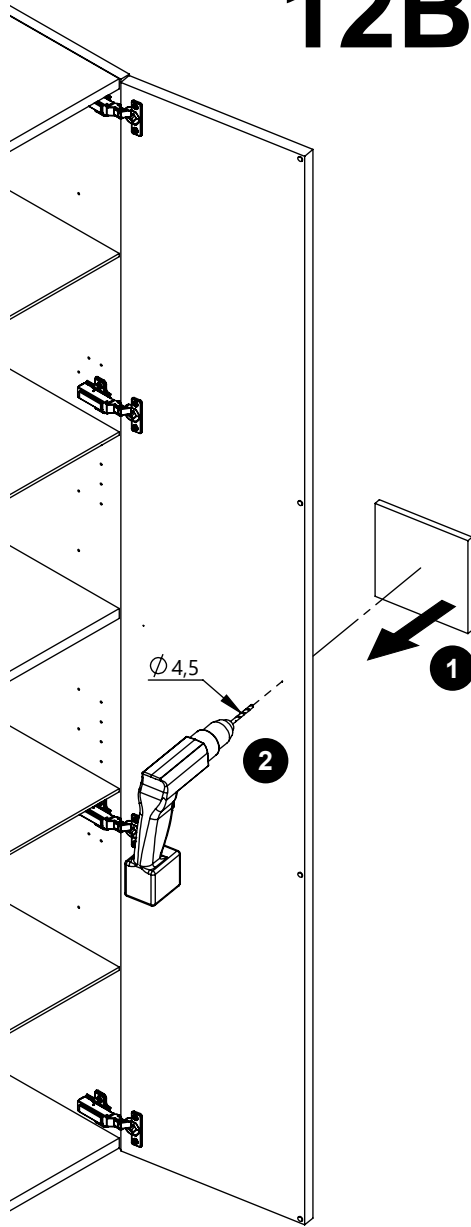
	
16x 415533	4x 3203xxx00



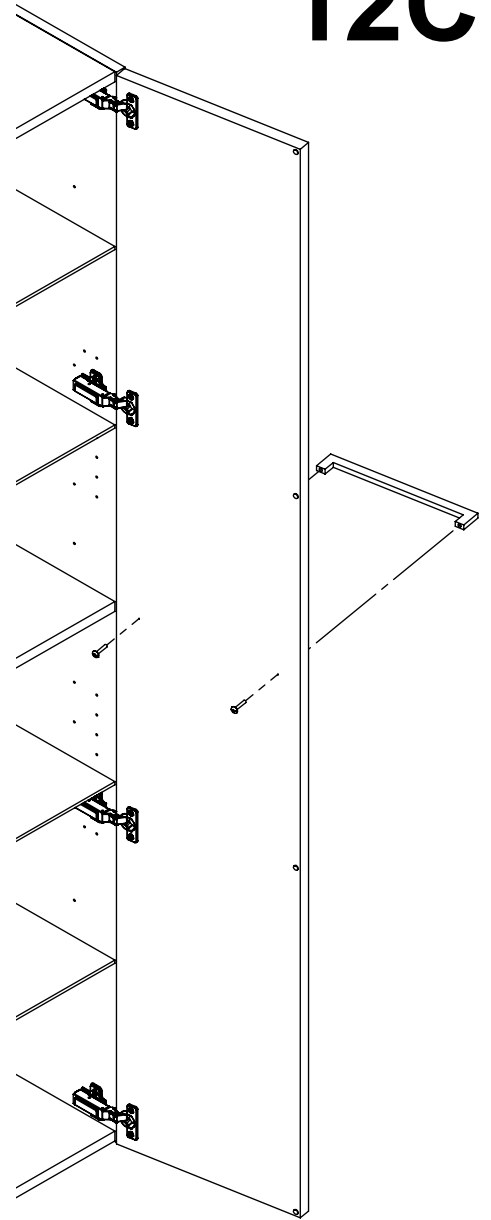
12A



12B



12C



Dansani A/S
Finlandsvej 8
DK-6100 Haderslev
Tel.: +45 73 22 29 00
Mail: mail@dansani.dk

www.dansani.com www.scanbad.com



No. 1334 241212 Rev. 03