

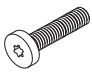
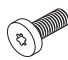


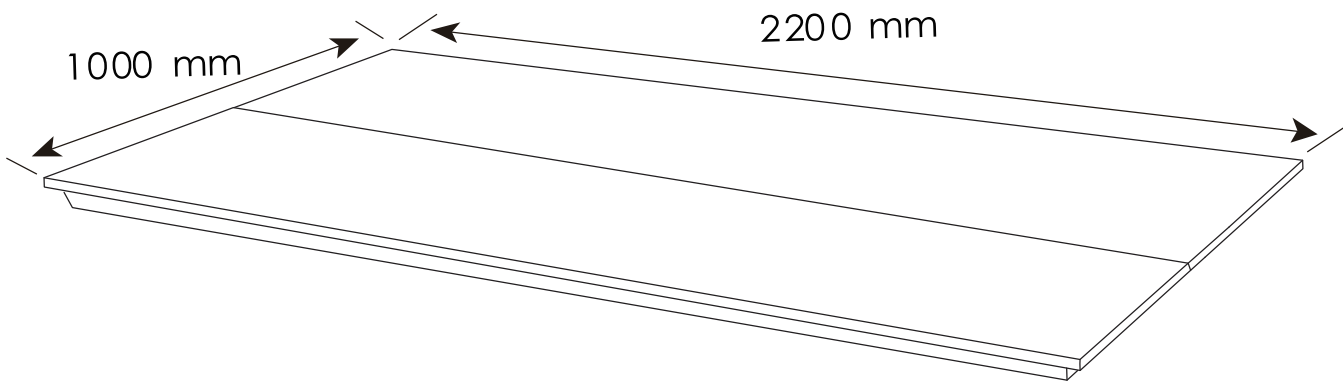
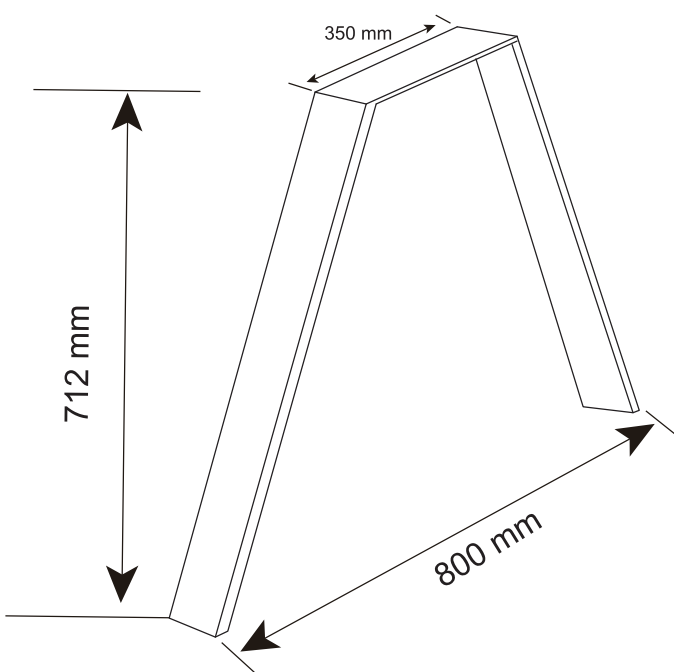


A  x4	B  M8 x8	C  $\phi 8 \times 35 \text{ mm}$ x8	D  $\phi 6 \times 20 \text{ mm}$ x8	E  M6 x8	F  $\phi 5$ x1
--	---	--	--	---	---

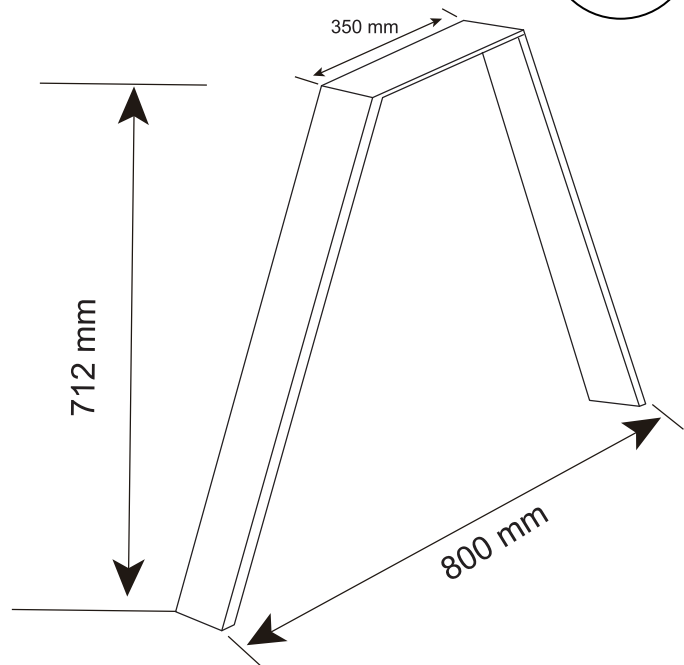
1



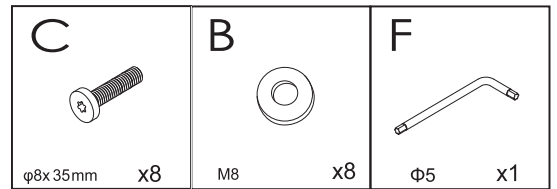
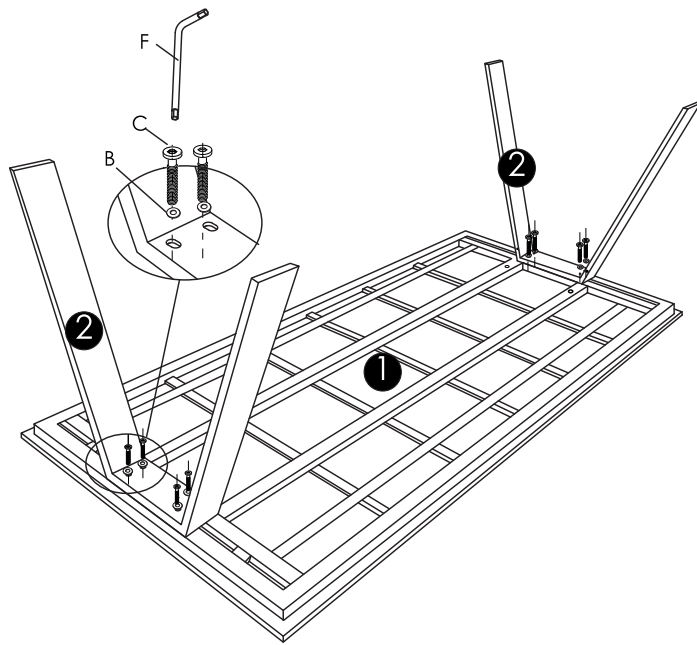
2



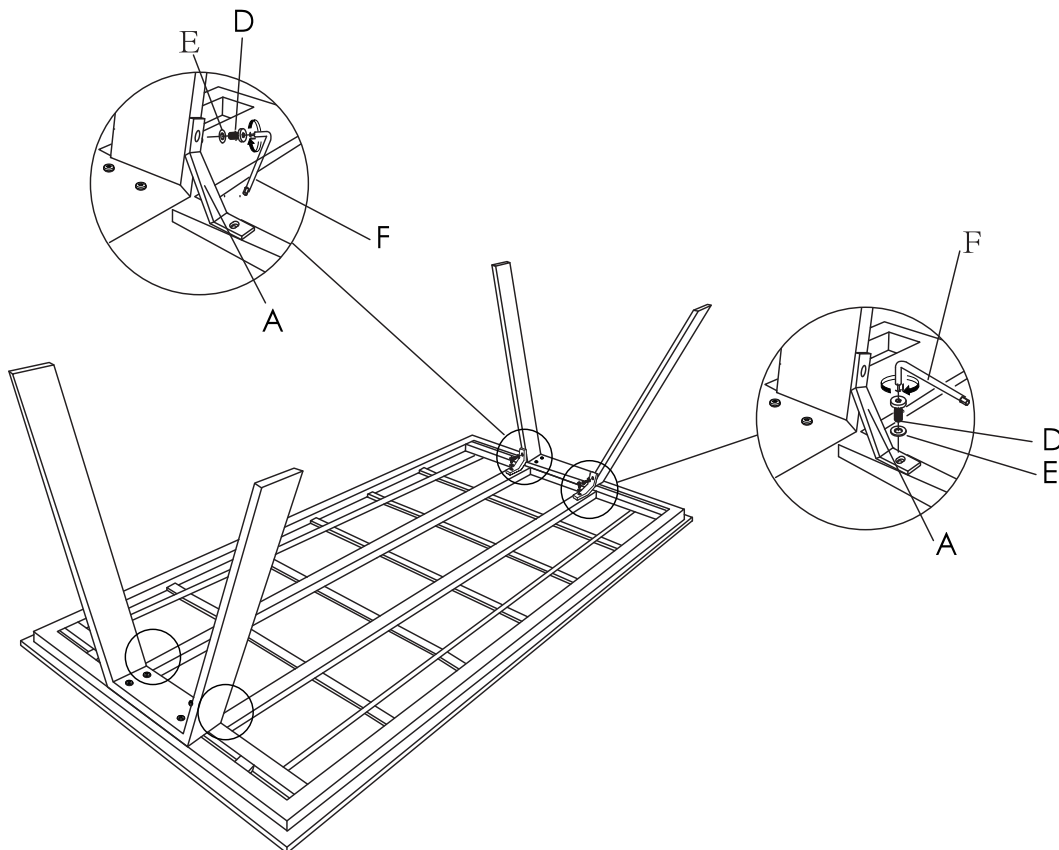
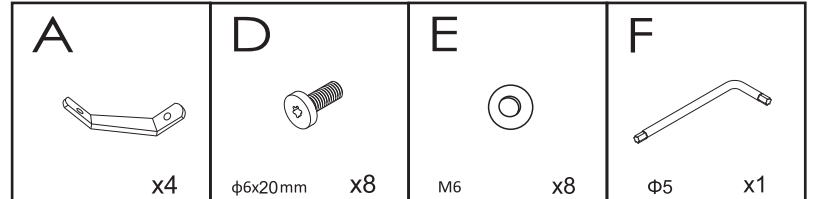
2



1



2



3

