

Product Data
Sheet

SARGAS 1

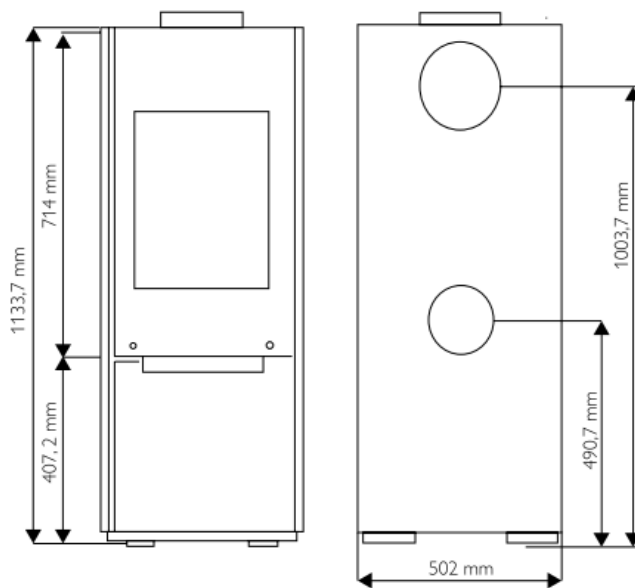


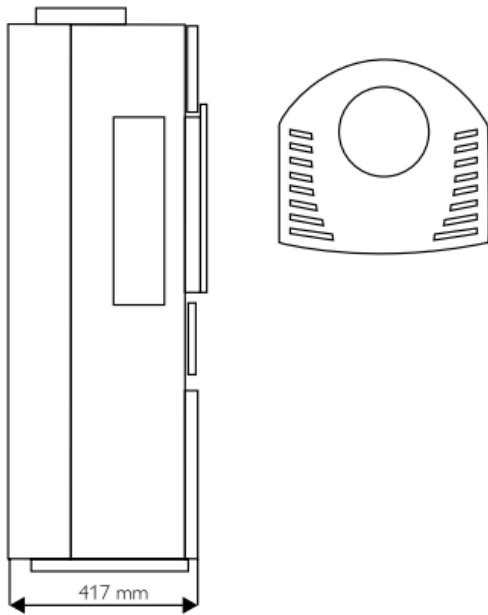
Application:	Space heater for burning solid fuel without hot water supply (EU) 2015/1185 (EN 13240)
General description:	Schiedel SARGAS 1 is a room sealed stove for intermittent burning which has been specially designed for the combustion of firewood.
Installation:	Inside a building
Fuel:	Solid fuel (split logs)
Operating temperature:	272 °C
Mode of operation:	Negative pressure (minimum flue draught 12 Pa) Room sealed fireplace
Frame material:	Black painted steel
Range of accessories:	Connections/covers for room sealed and non room sealed operation
Compatible chimney systems:	All systems with at least 150 mm diameter
Nominal heat output:	6,2 kW
Energy efficiency / class / index:	81,0 % / A+
Emission:	1125 mg/m ³ CO (at Vol 13% O ₂) 6 mg/m ³ Dust (at Vol 13% O ₂) 96 mg/m ³ OGC (at Vol 13% O ₂)

106 mg/m³ NOx (at Vol 13% O₂)

Specifications:

Frame (steel combustion chamber):	
External dimensions (frame):	B:526 mm x D: 417 mm x H:1133 mm
Combustion chamber:	B:360 mmx D:277 mm x H:349 mm
Glass dimensions:	Front: B:297 x H:375 mm Sides: B: 64 x H: 375 mm
Weight:	100 kg

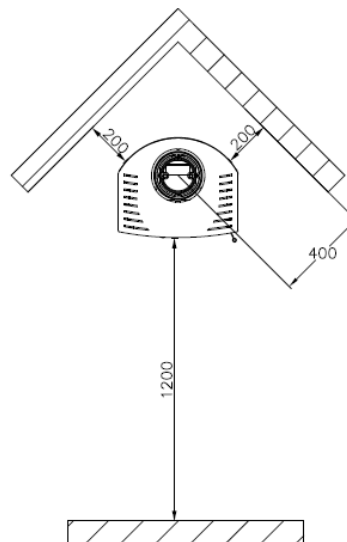
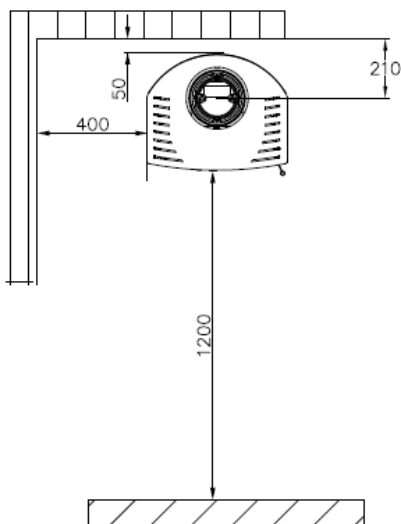


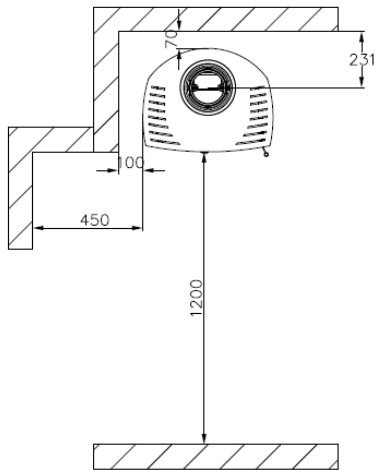


Distance to combustible materials:

SARGAS 1 (EN 13240):	
Rear:	70 mm
Sides:	450 mm
Front:	1200 mm
Floor:	0 mm

It is only permitted to install the stove in a stove niche, built using non-flammable components (e.g. in an inoperative, open fireplace) and with a flue pipe connection which leads upwards into the chimney, if there is a minimum distance of at least 5cm from the sides.





Installation examples:

SIRIUS 3G (EN 13240):	
Floor Front:	500 mm
Floor Sides:	300 mm

If the floor is made from flammable material (floors made from wood, synthetic materials, carpets, ...), a spark arrestor plate made from toughened glass, or any other non-flammable material, should be used. This base must have the following minimum dimensions, with the opening of the combustion chamber as the starting point.

