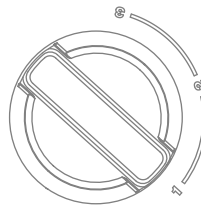
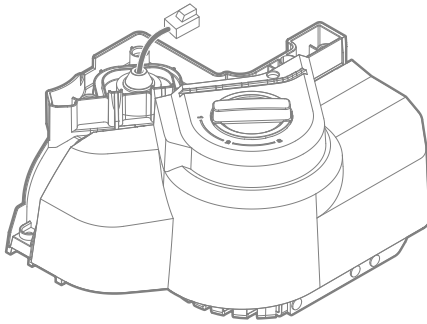
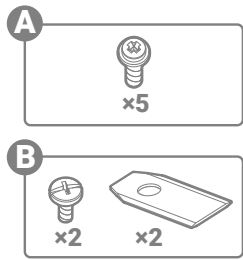
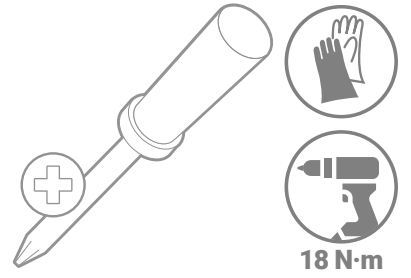


In the box

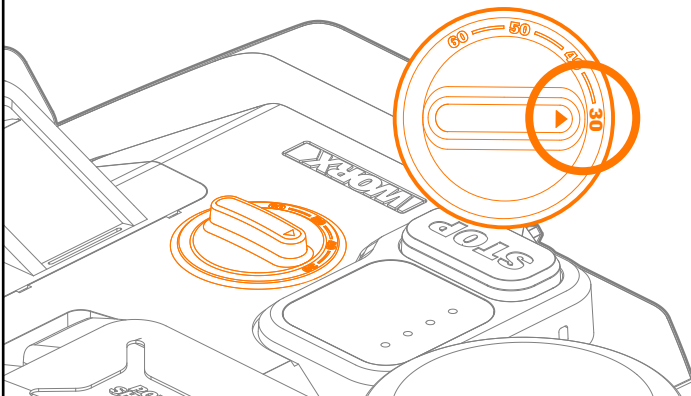


1	50 mm
2	60 mm
3	70 mm

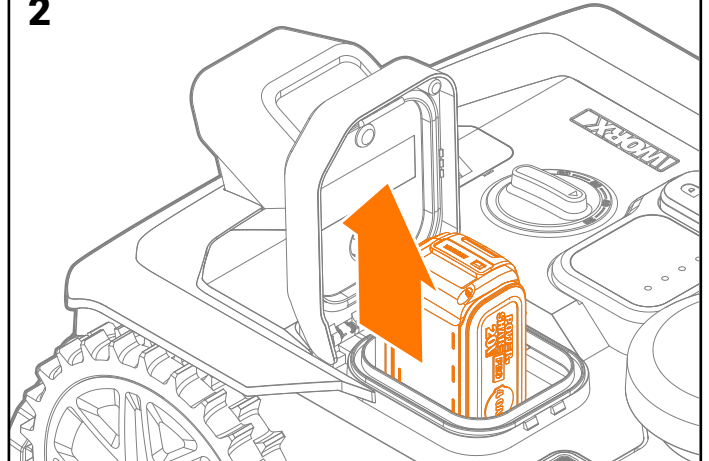
From your toolbox



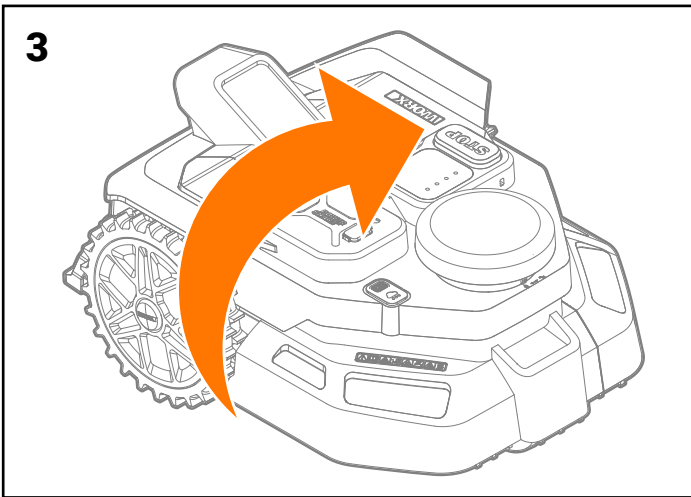
1



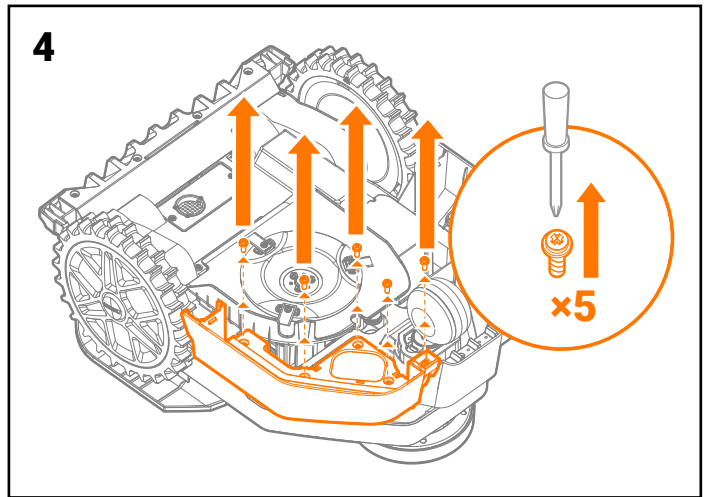
2



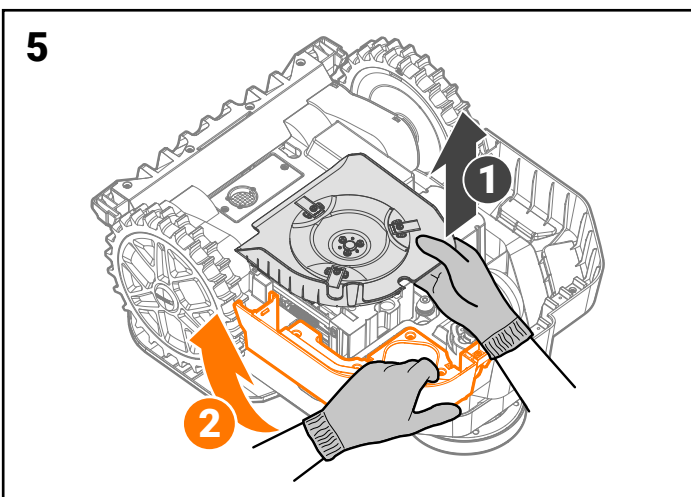
3



4



5



6

