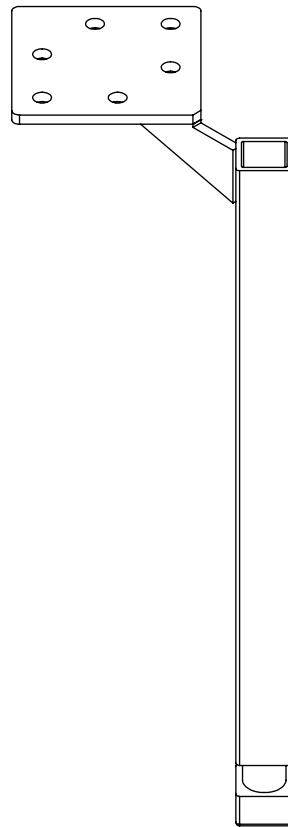
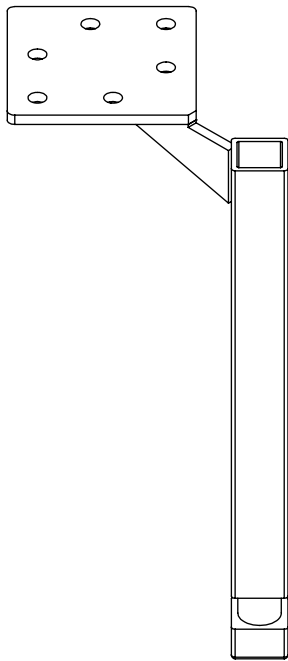




# DANSANI

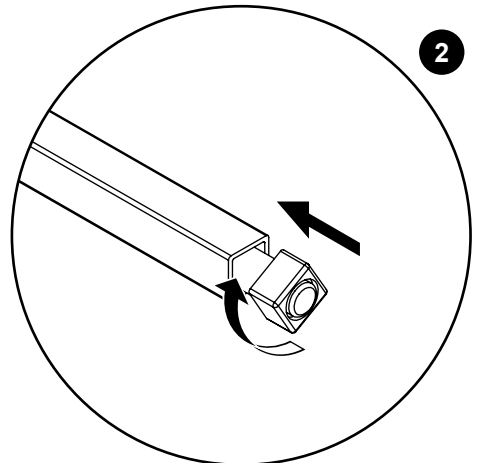
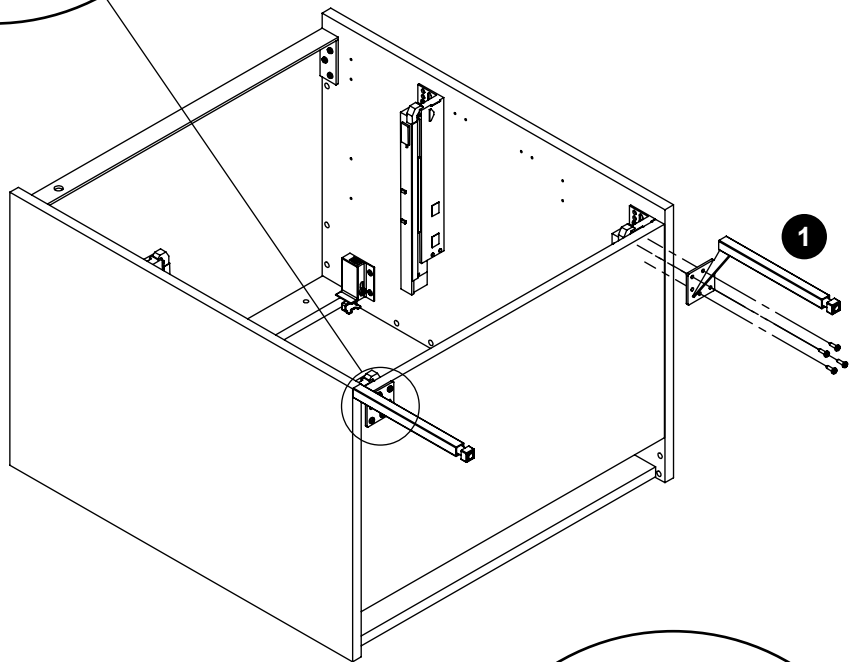
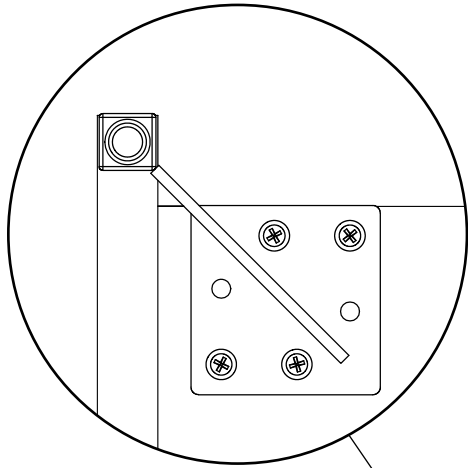
BATHROOM DESIGN





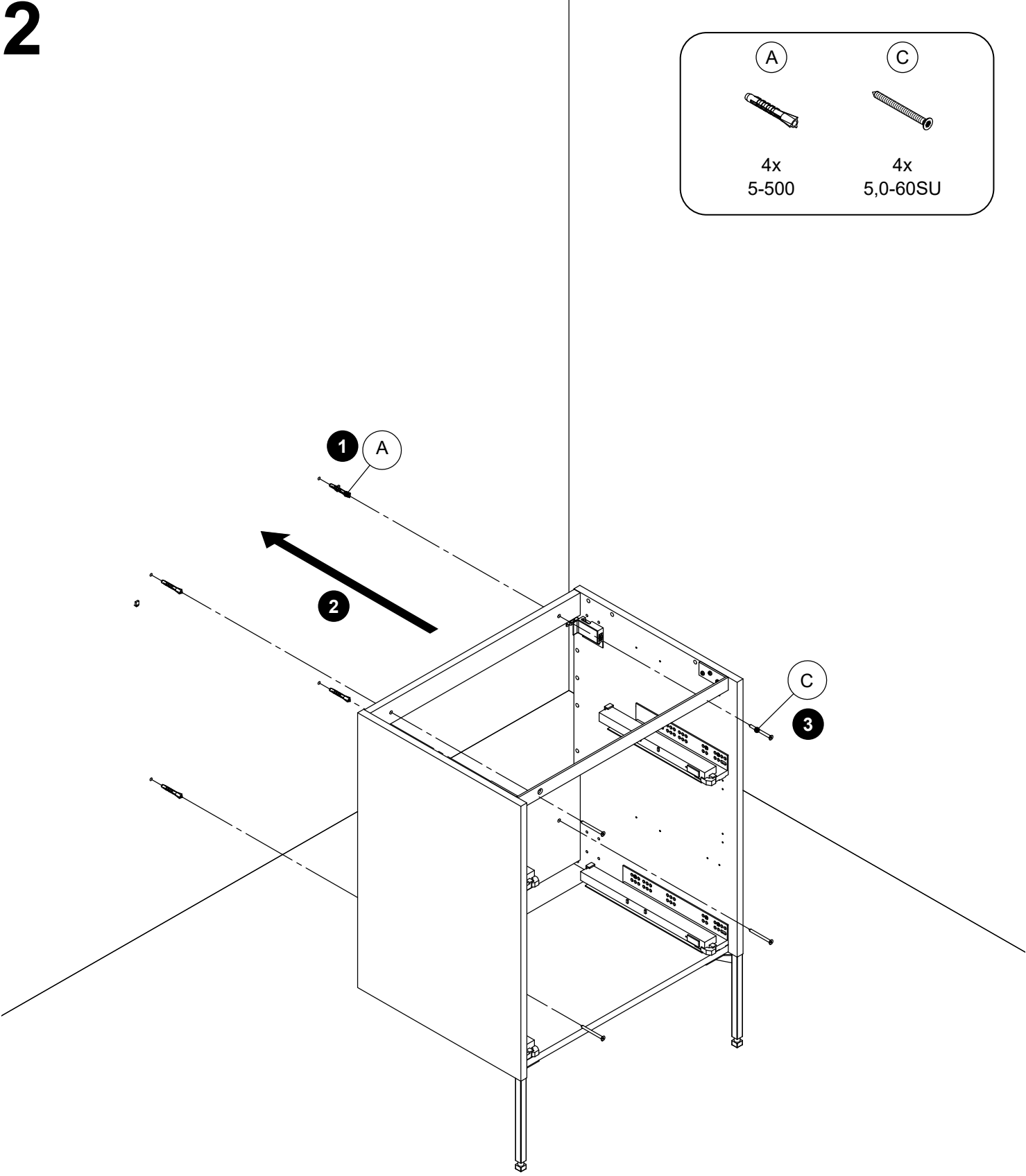
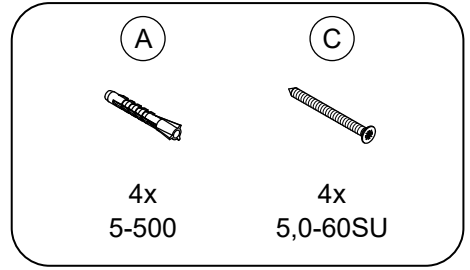
8x  
4,0-15SR

1

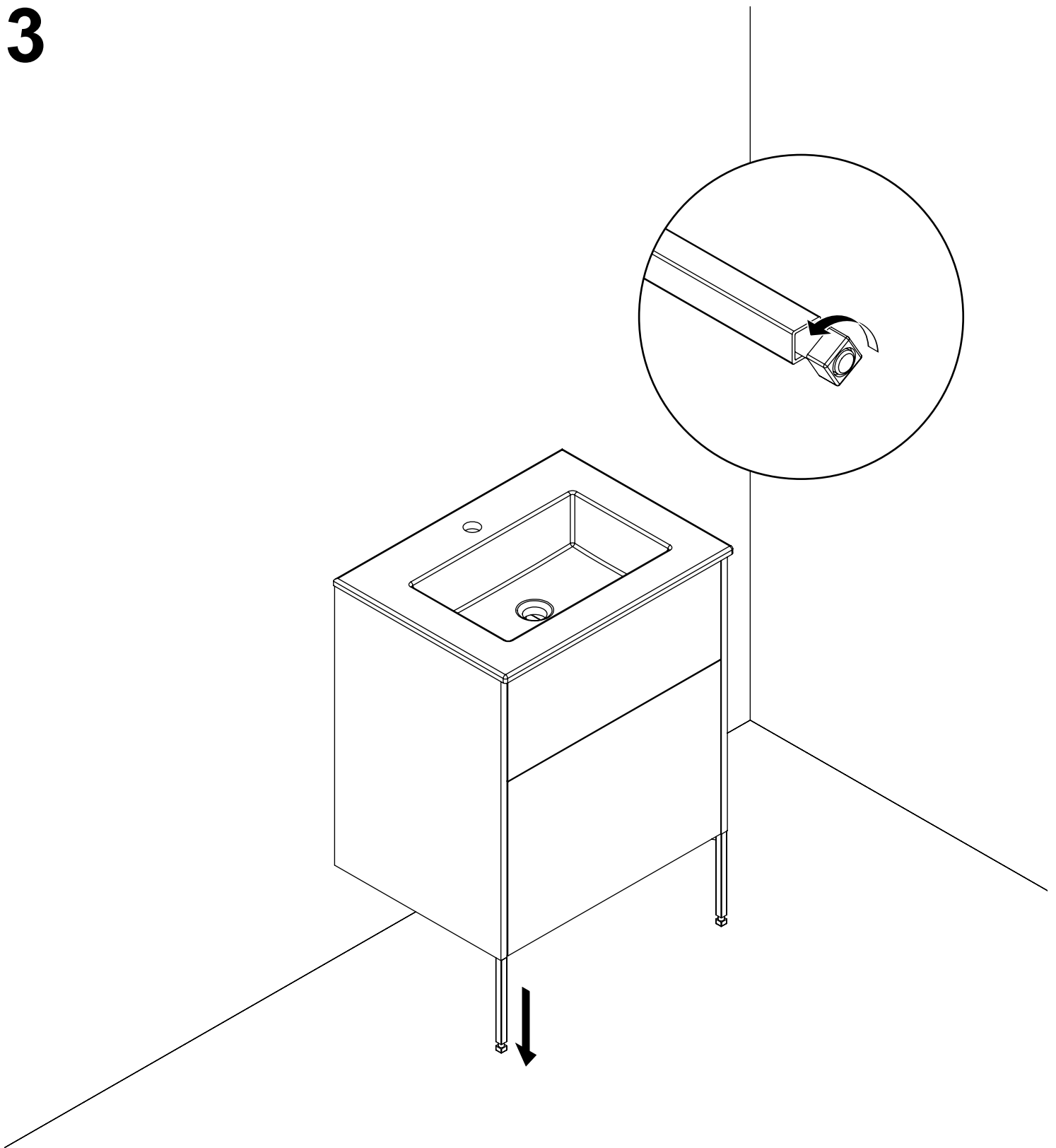


2

# 2



# 3



Dansani A/S  
Finlandsvej 8  
DK-6100 Haderslev  
Tel.: +45 73 22 29 00  
Mail: mail@dansani.dk

[www.dansani.com](http://www.dansani.com) [www.scanbad.com](http://www.scanbad.com)



No. 1326 241212 Rev. 01