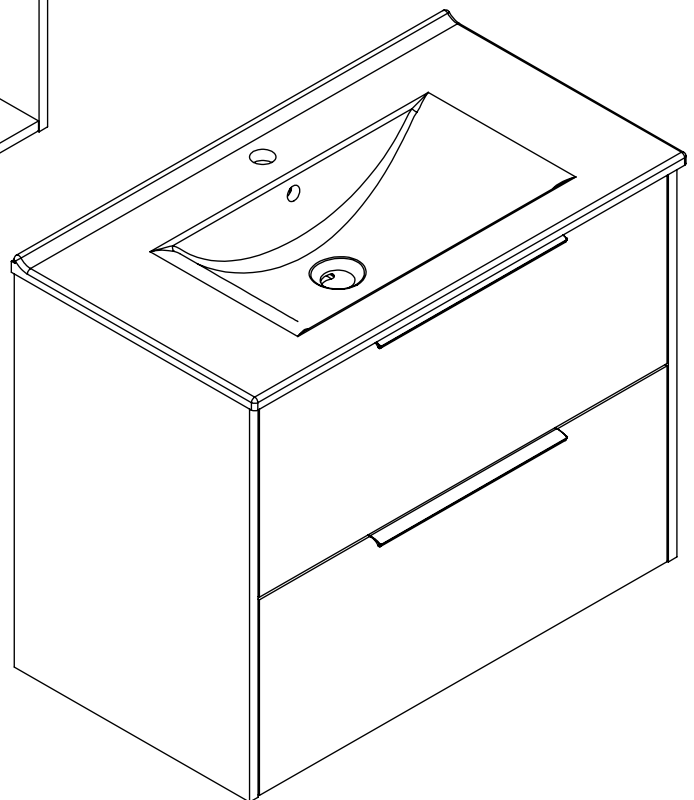
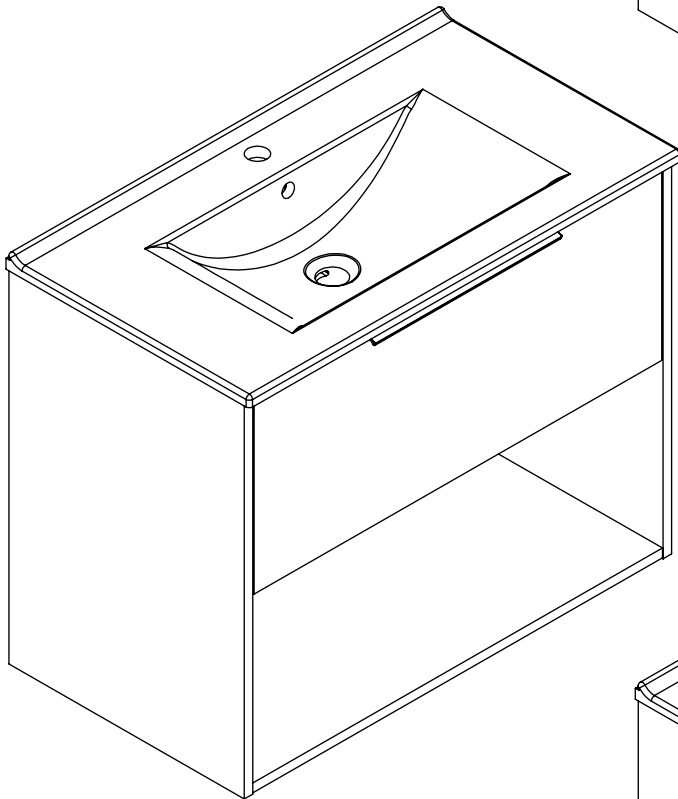
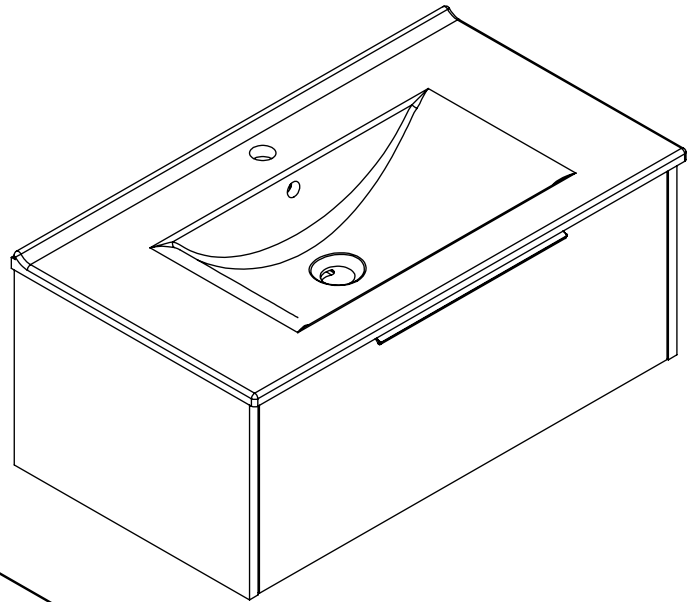




DANSANI
DANISH BATHROOM DESIGN





2x
190310601



2x
190310600



4x
5-500



4x
5,0-60SU

1

(A)

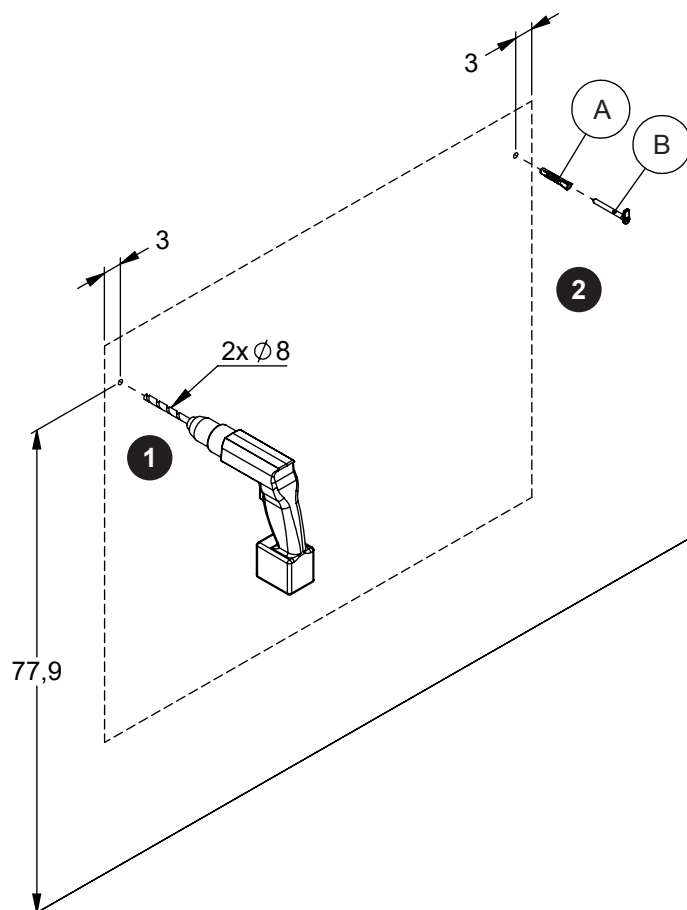


2x
190310601

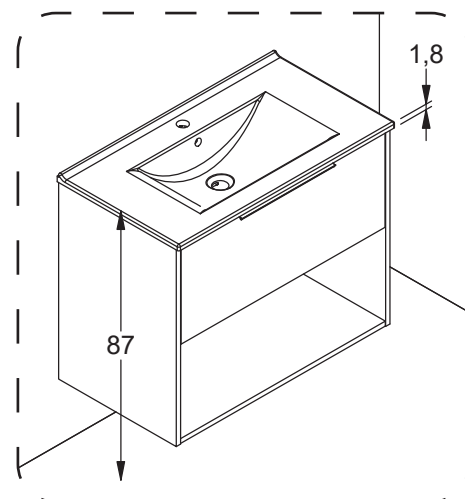
(B)



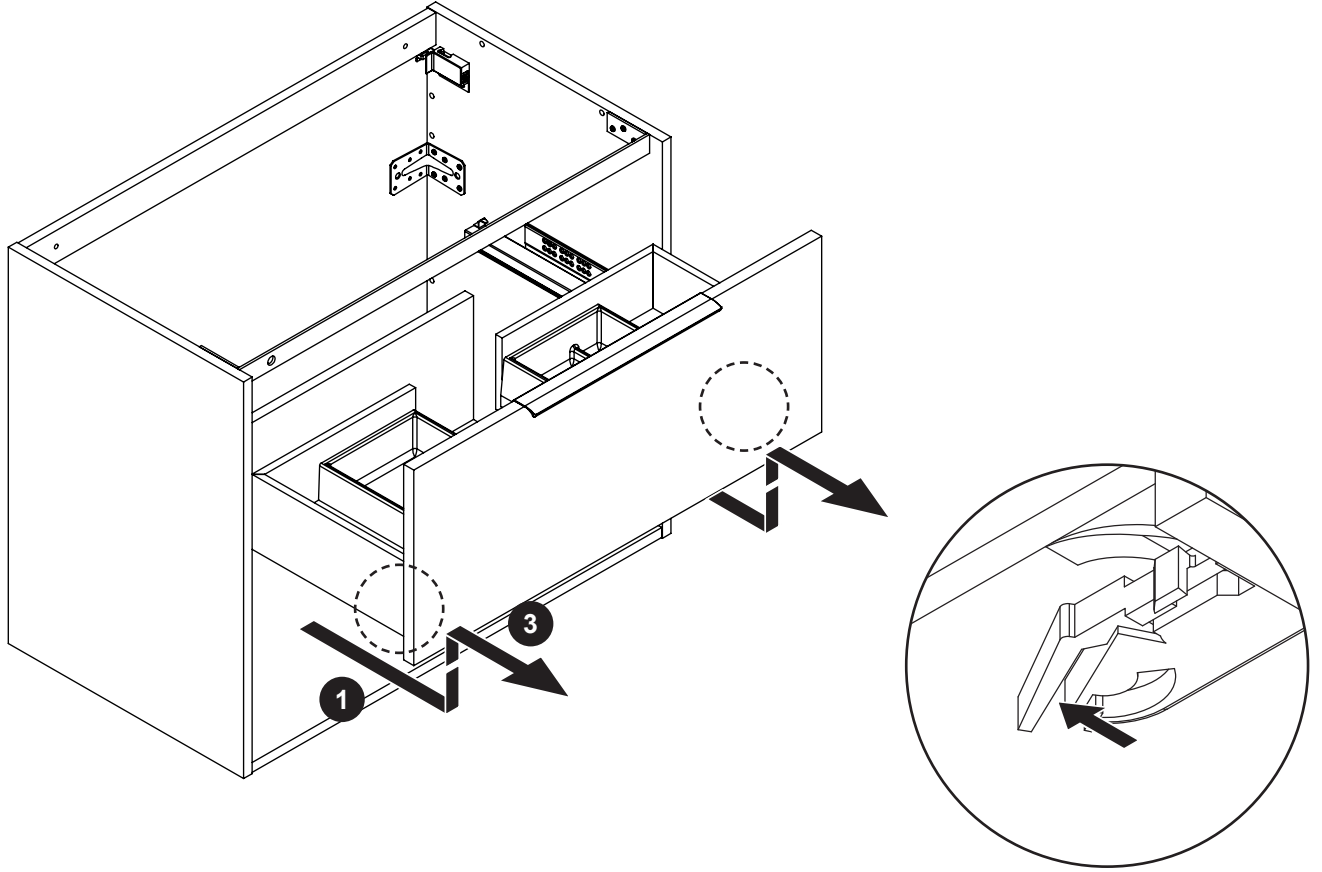
2x
190310600



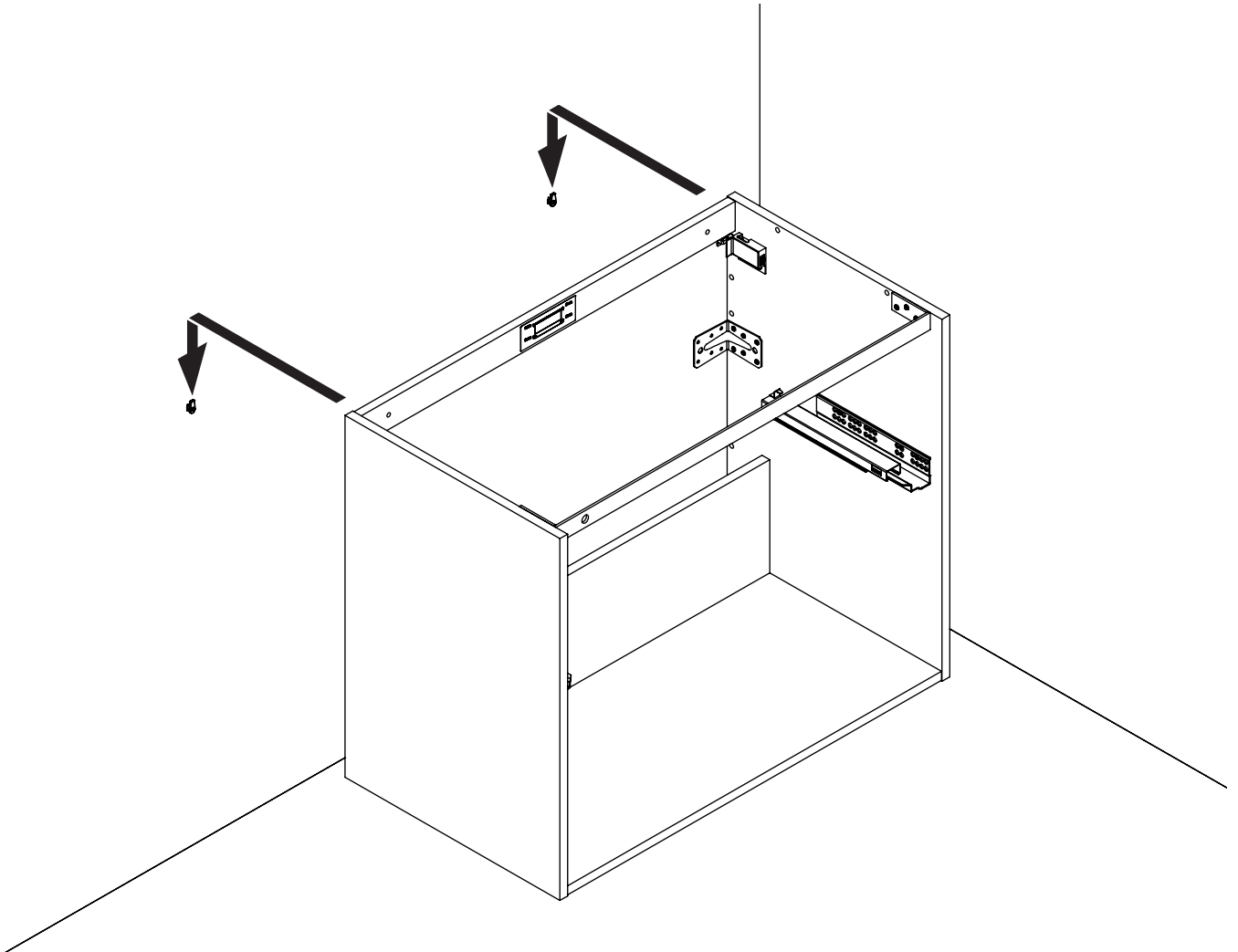
- 1
- 2
- 3
- 4



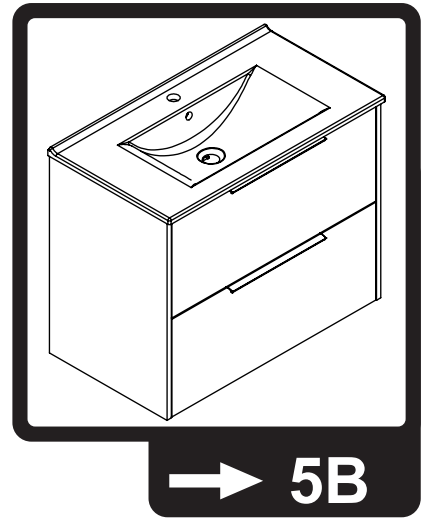
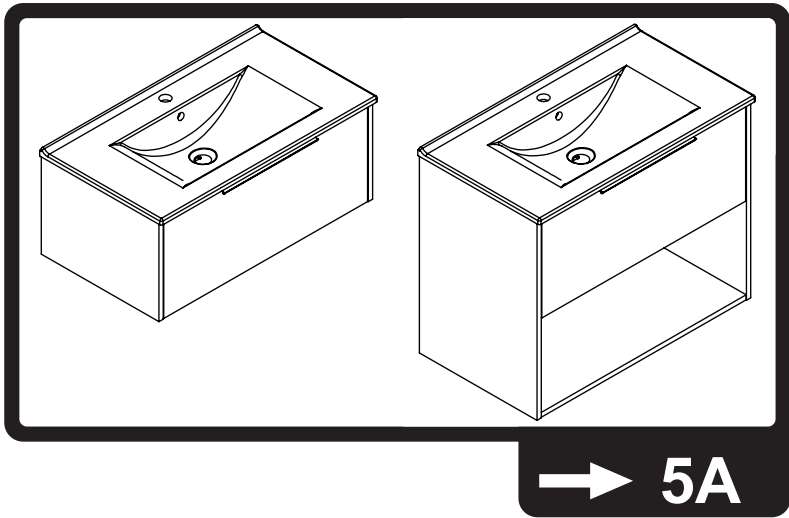
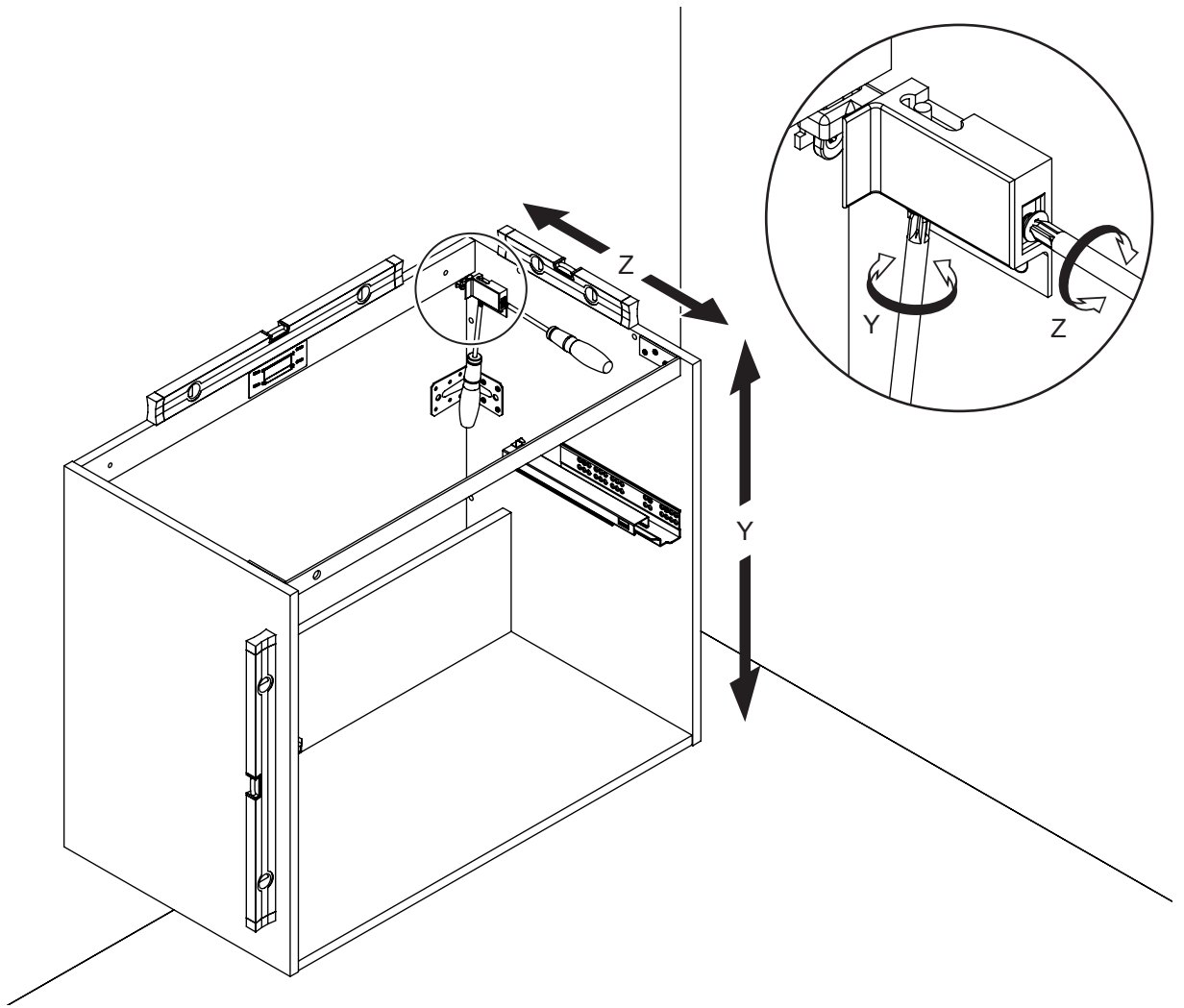
2



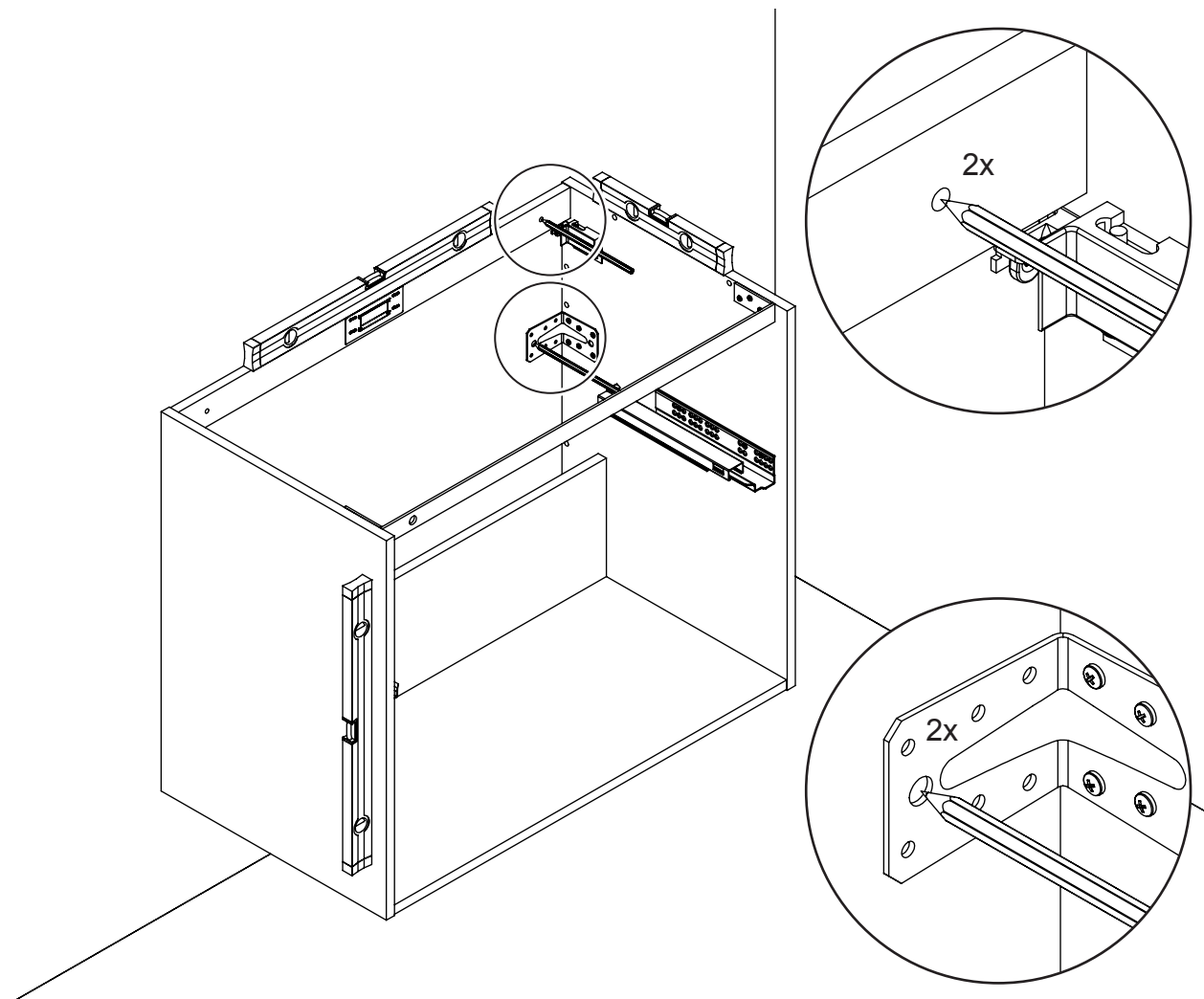
3



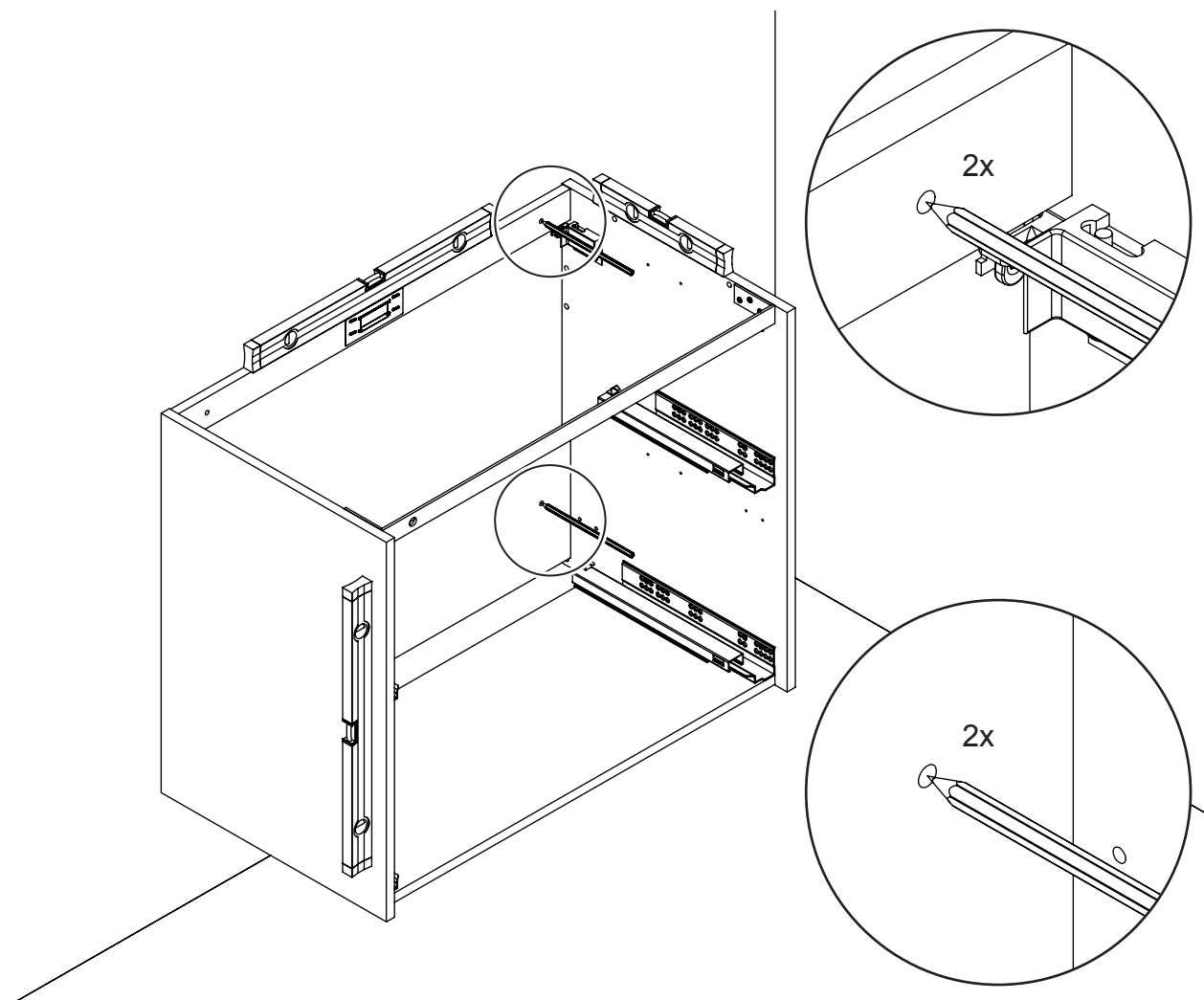
4



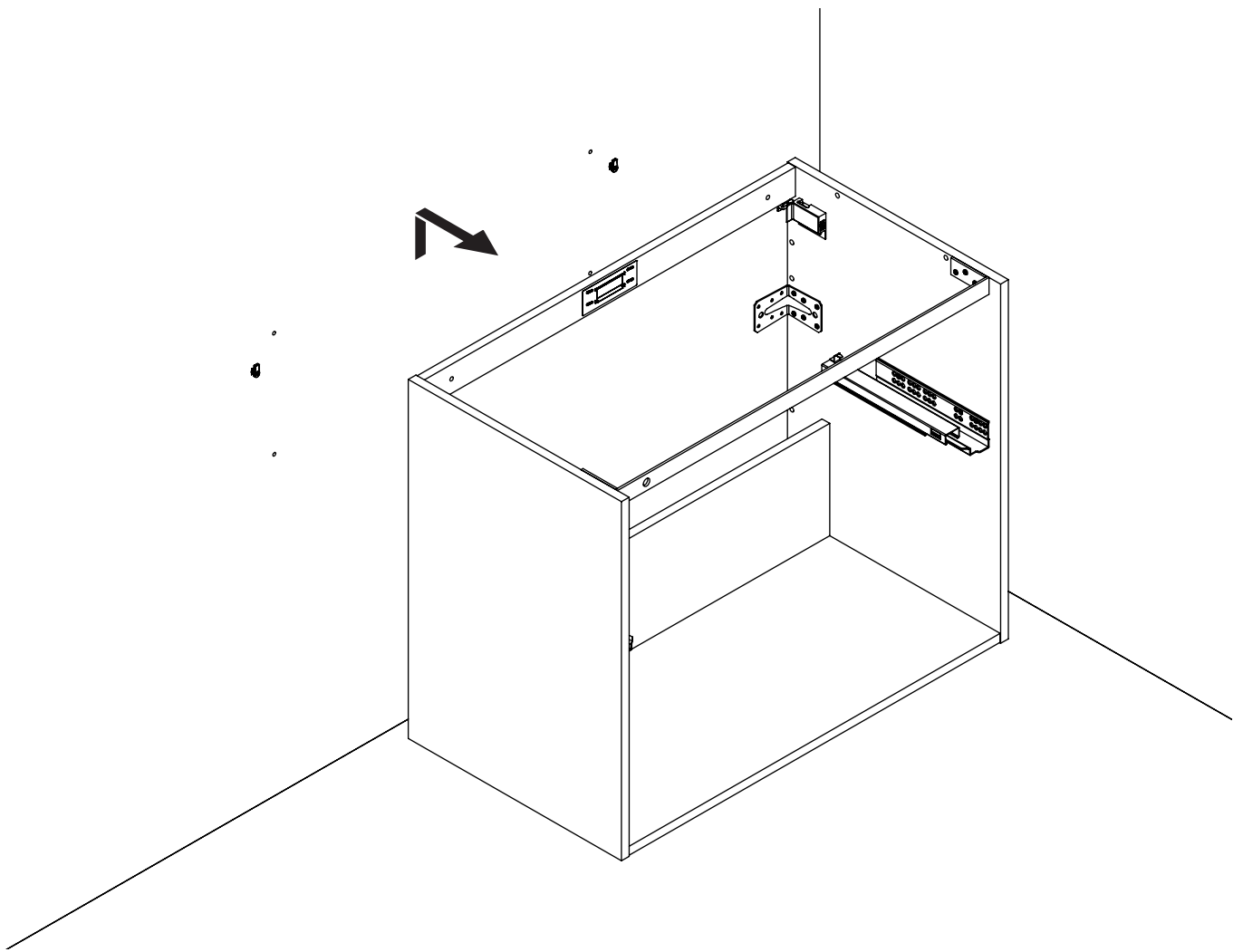
5A



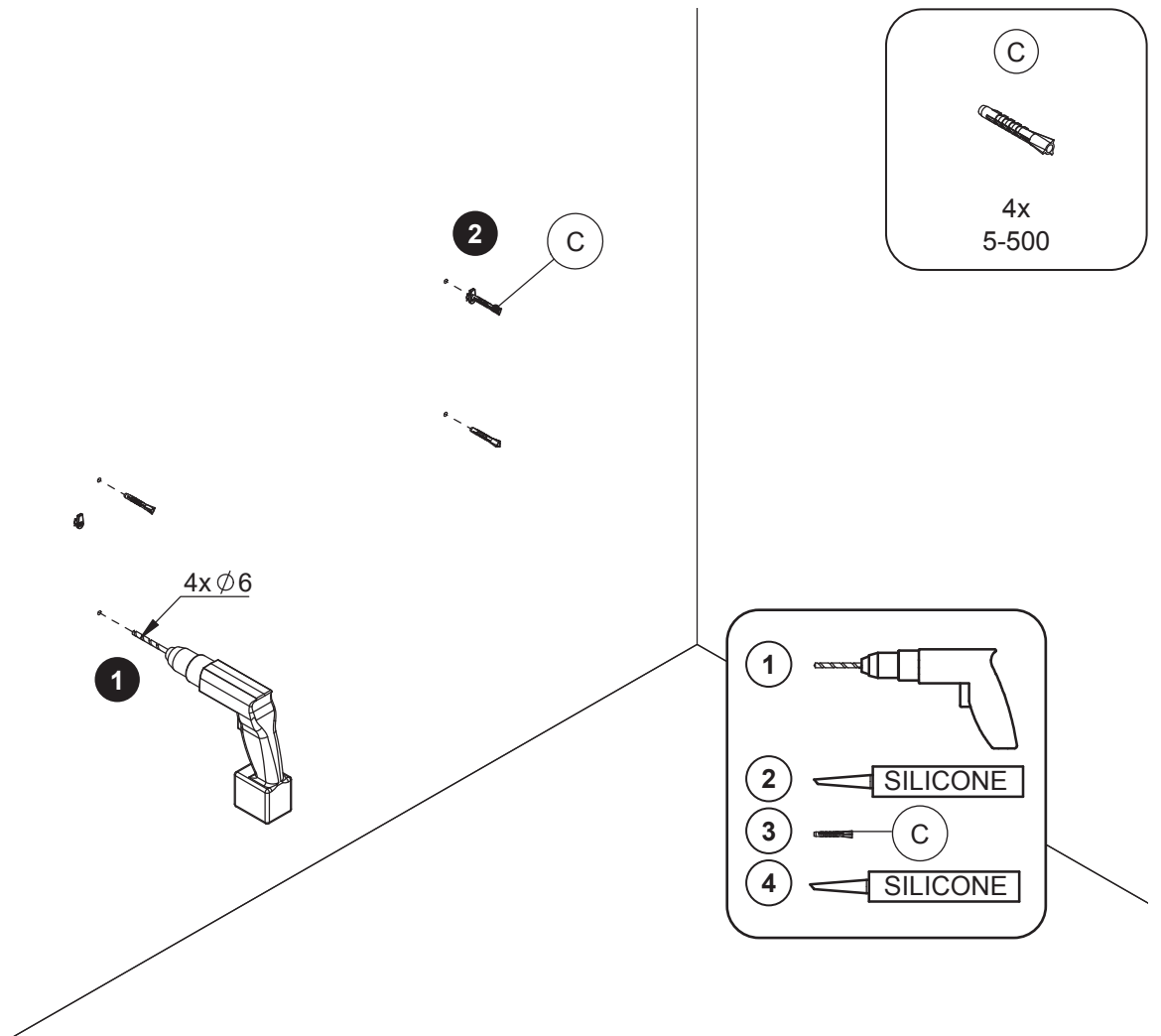
5B



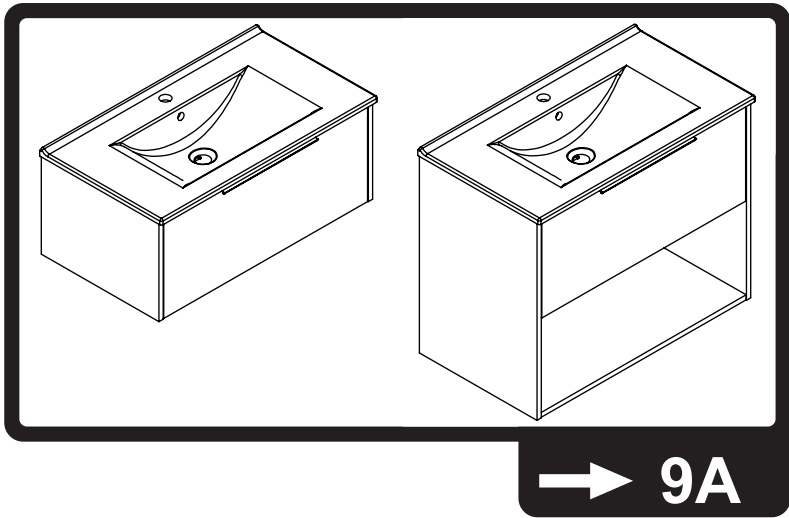
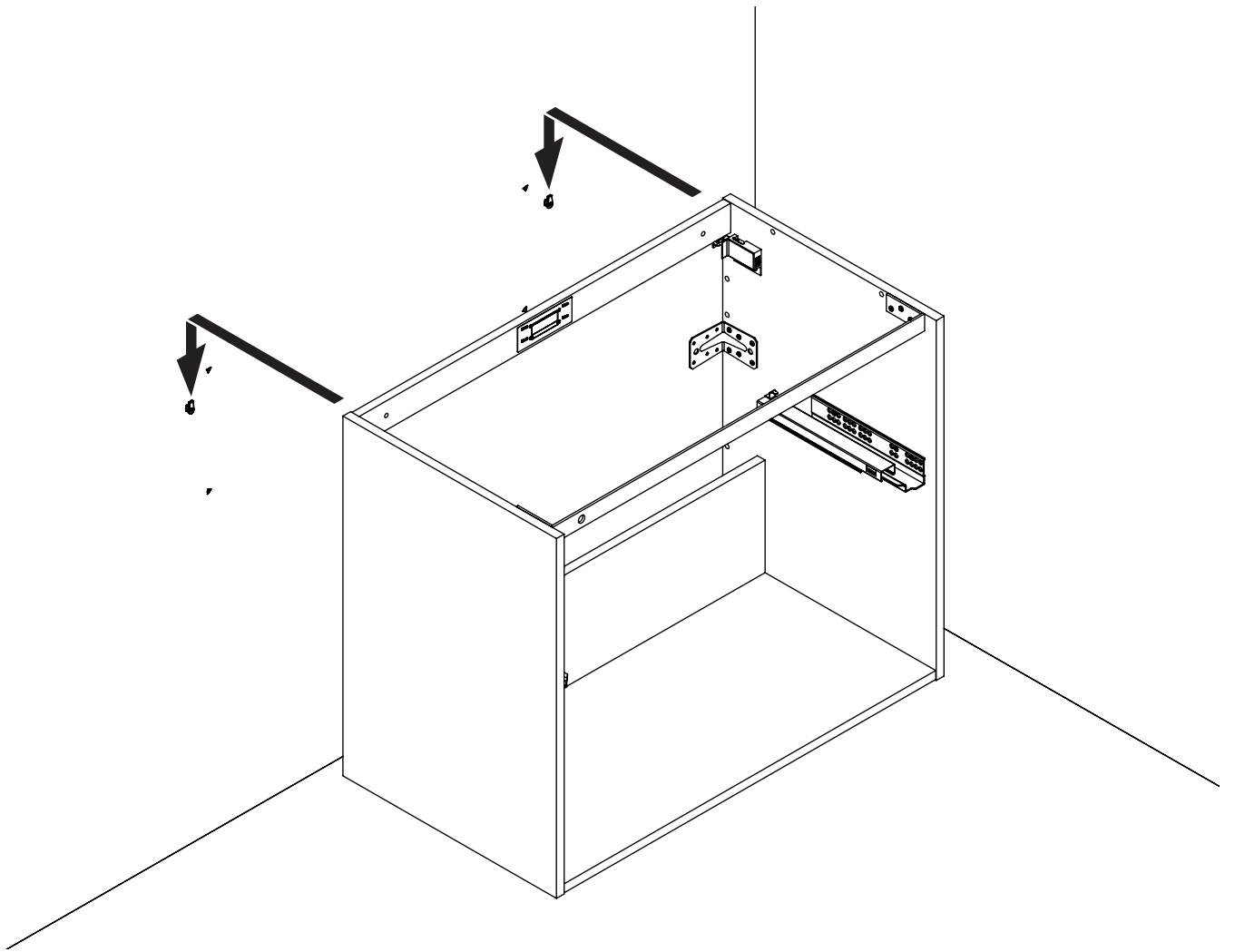
6



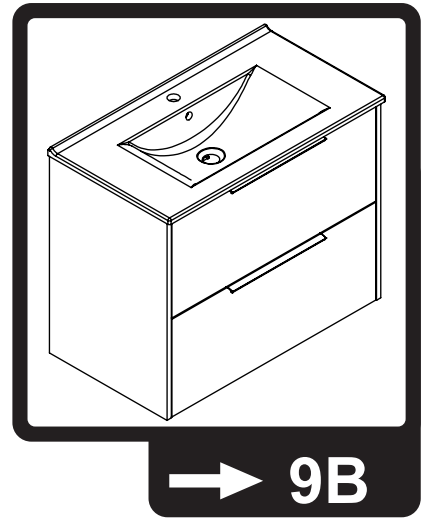
7



8

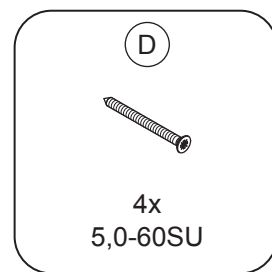
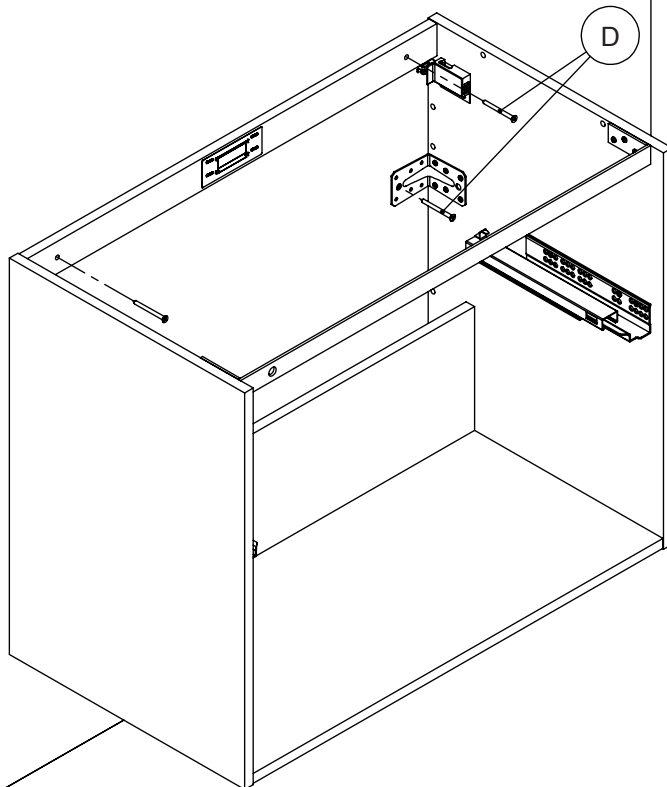


→ 9A

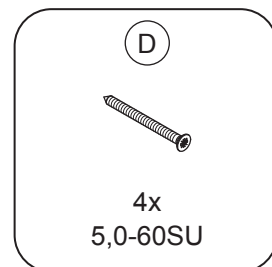
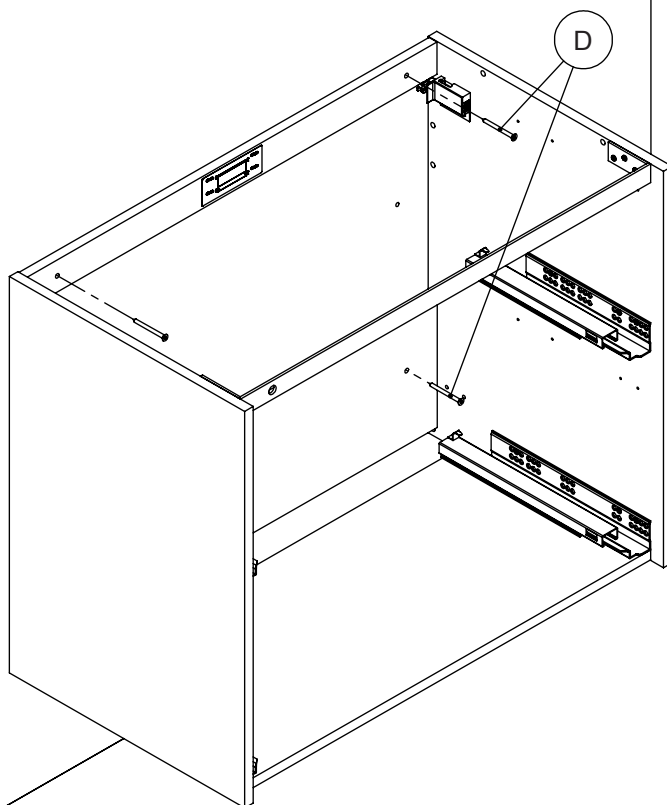


→ 9B

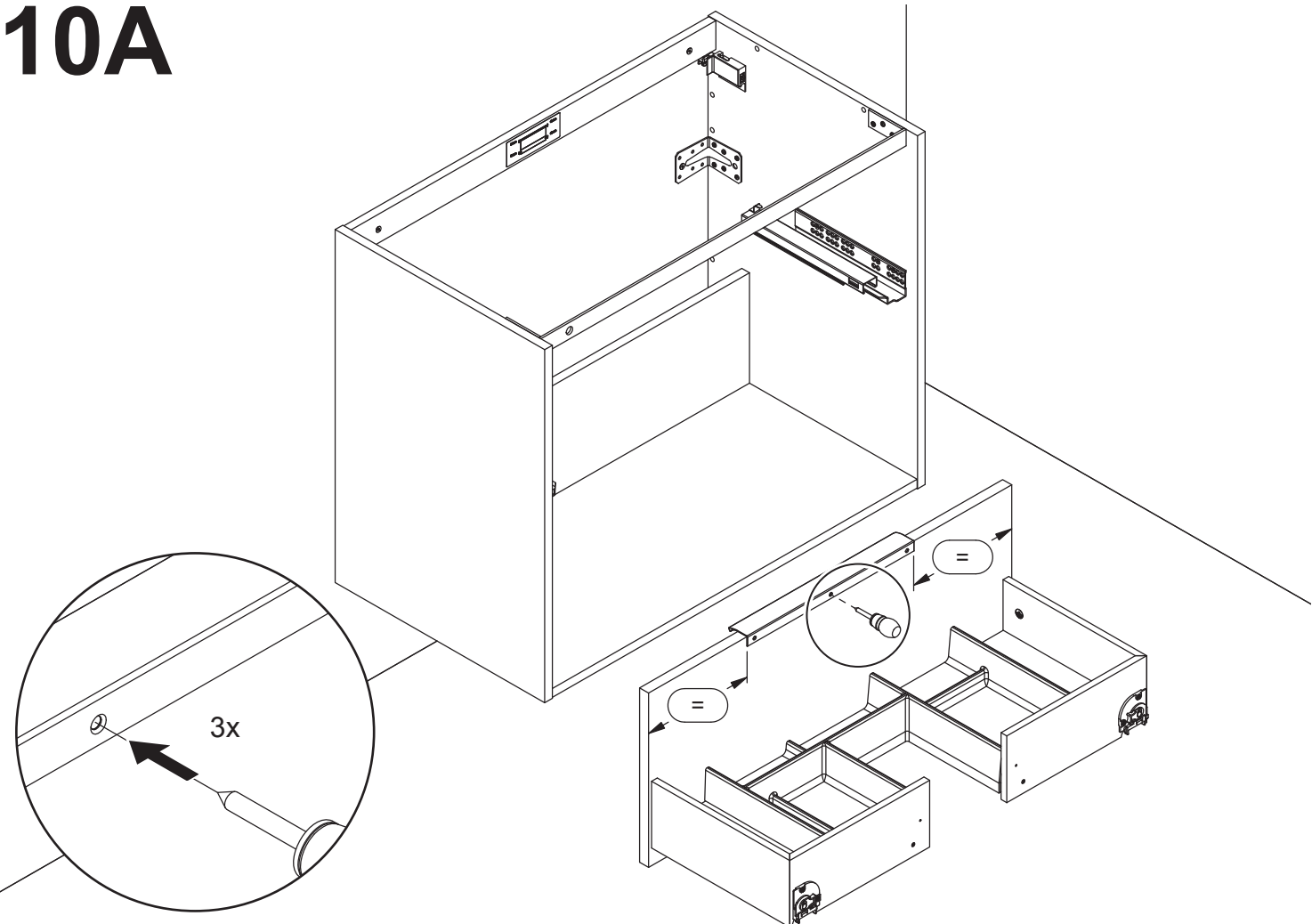
9A



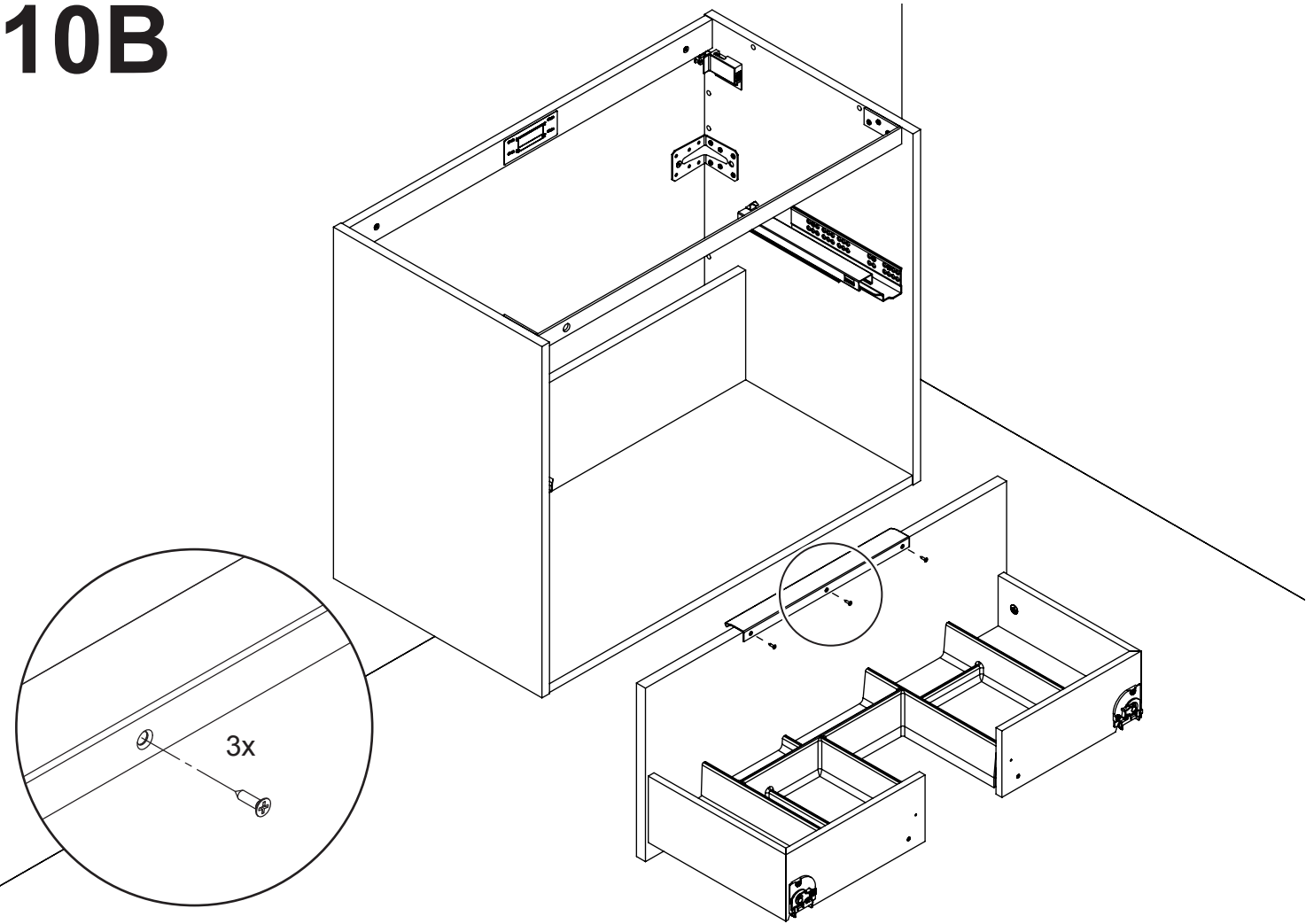
9B



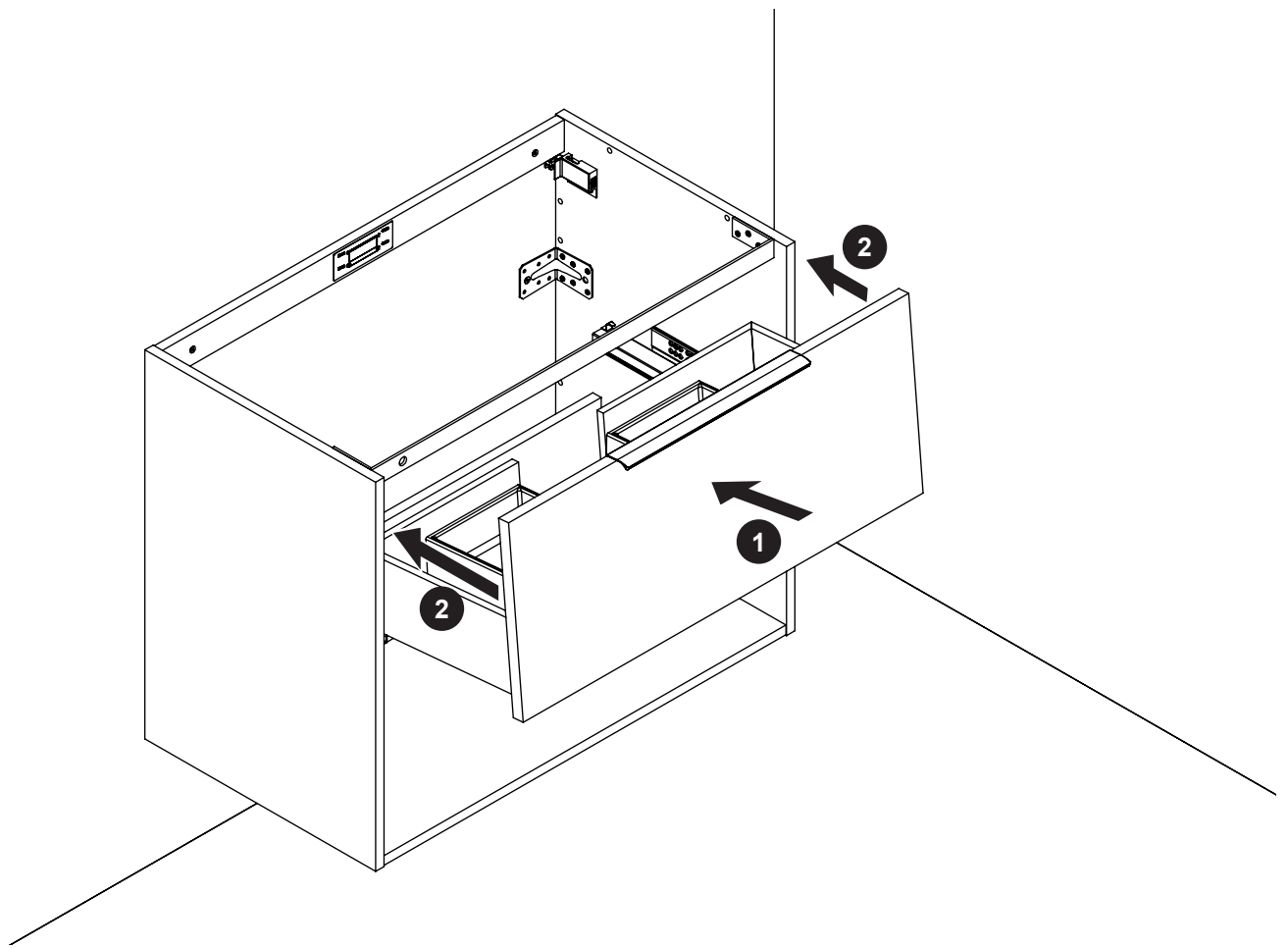
10A



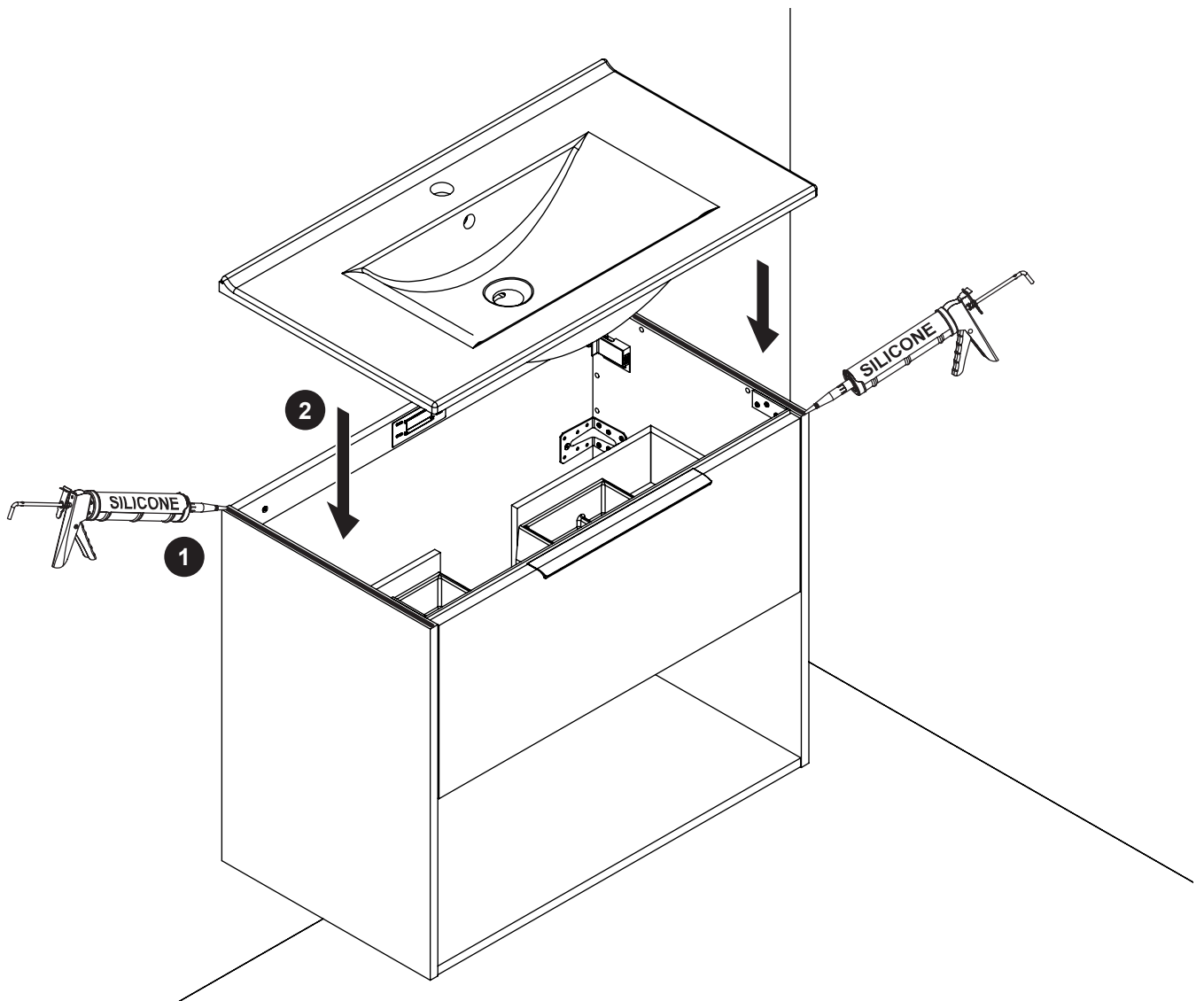
10B



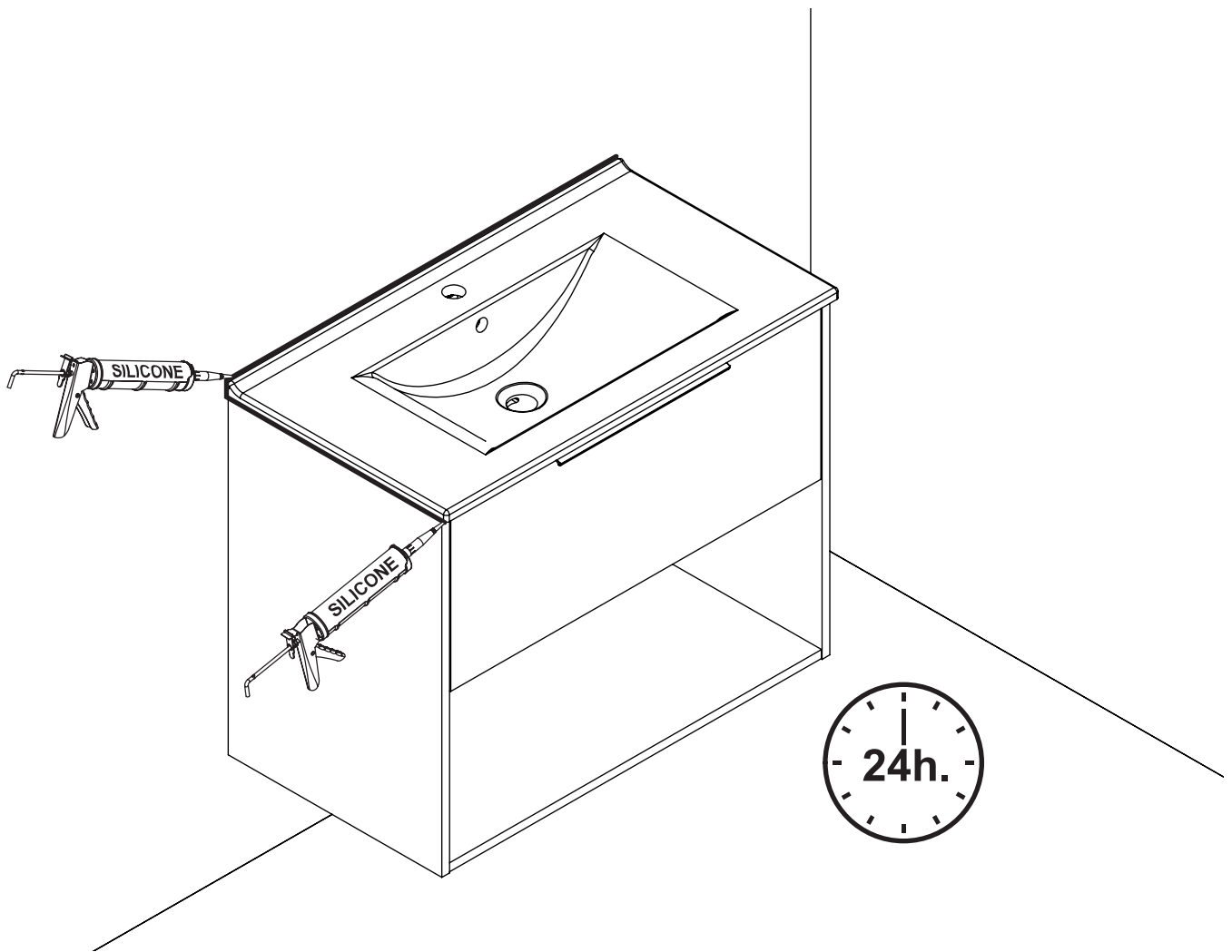
11



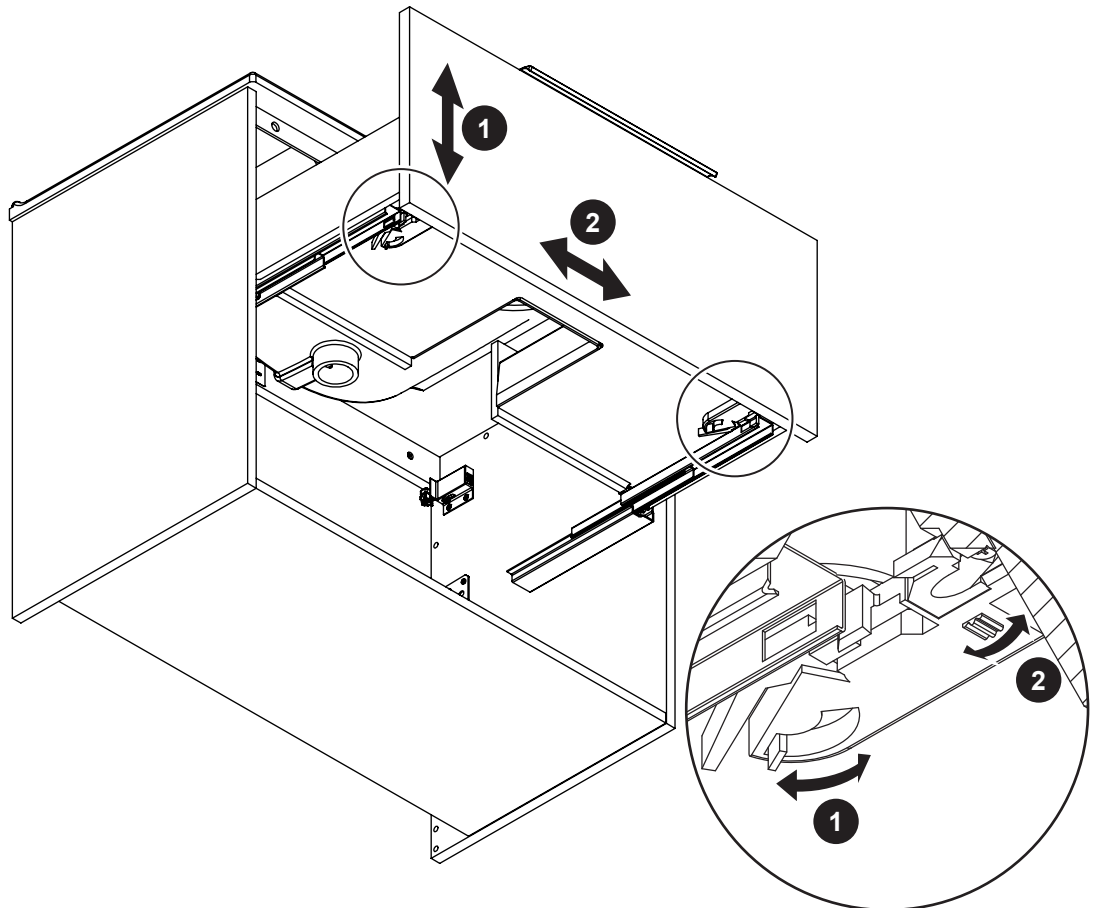
12



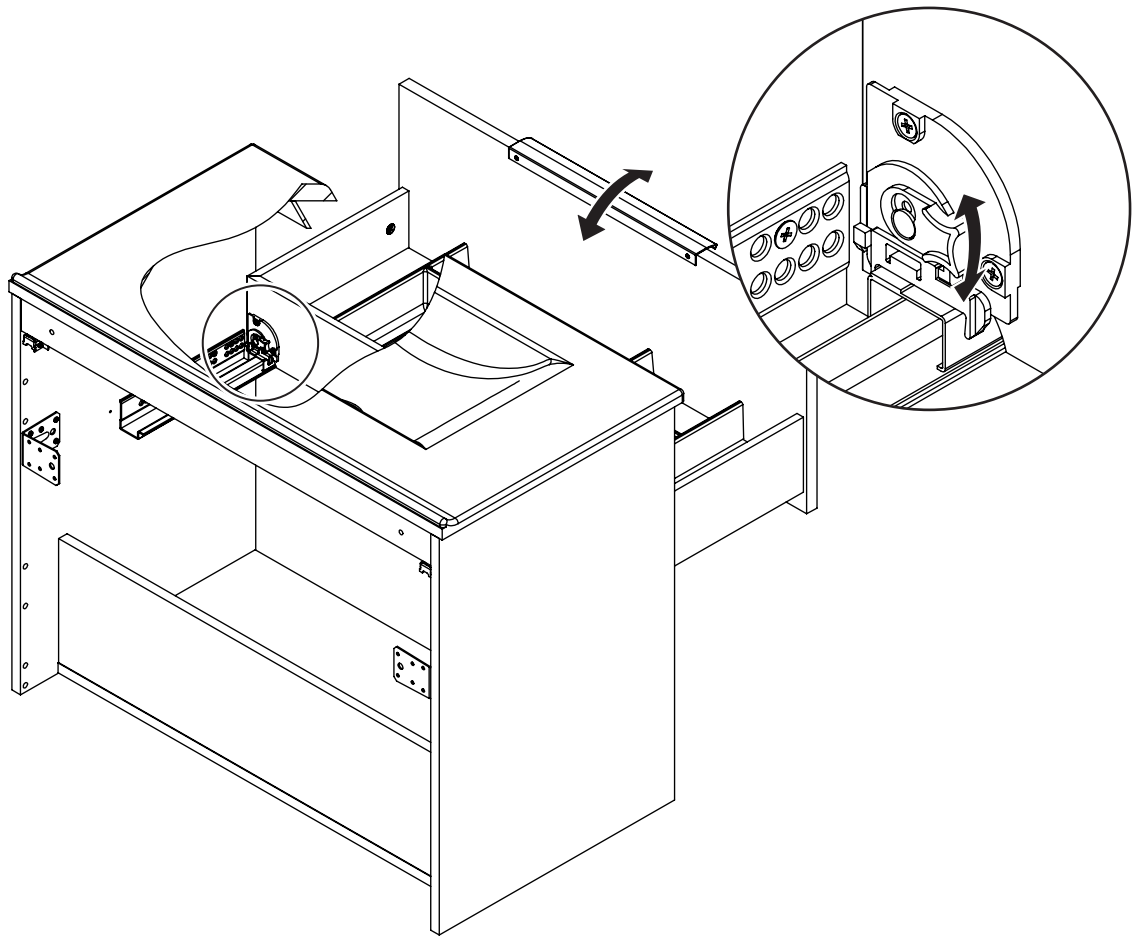
13



14A



14B



Dansani A/S
Finlandsvej 8
DK-6100 Haderslev
Tel.: +45 73 22 29 00
Mail: mail@dansani.dk

www.dansani.com www.scanbad.com



No. 1458 250107 Rev. 01