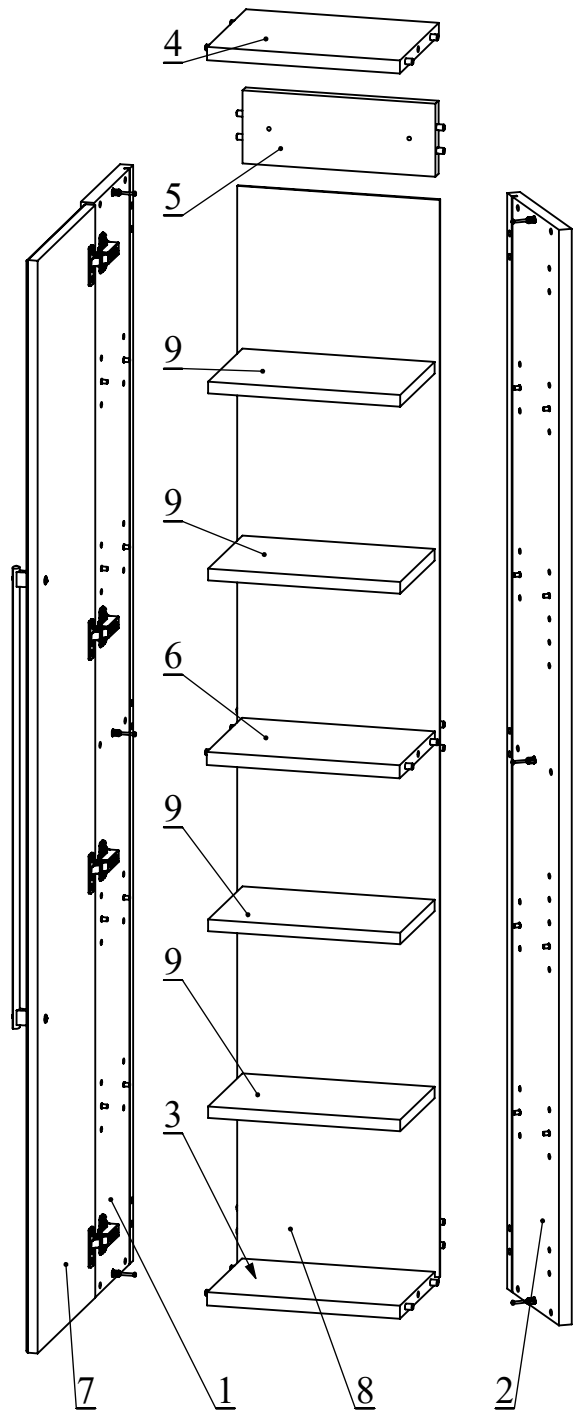
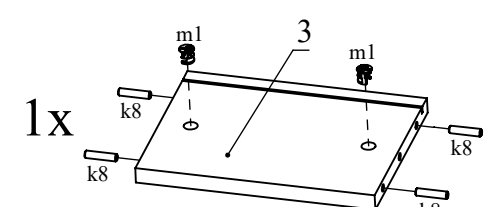
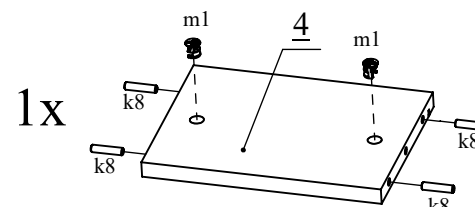
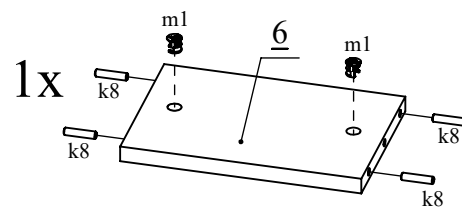
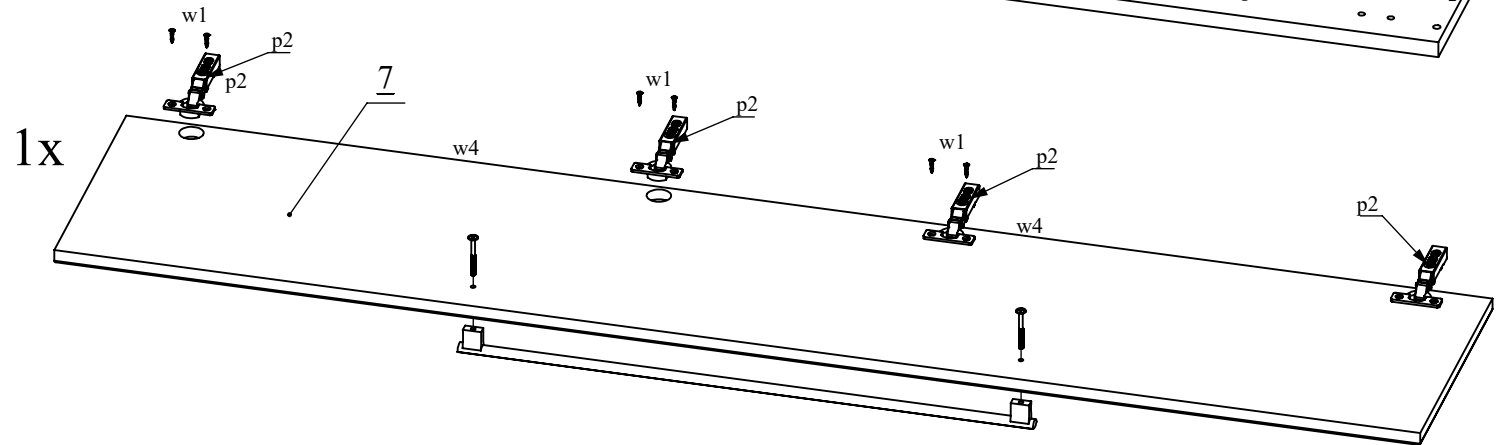
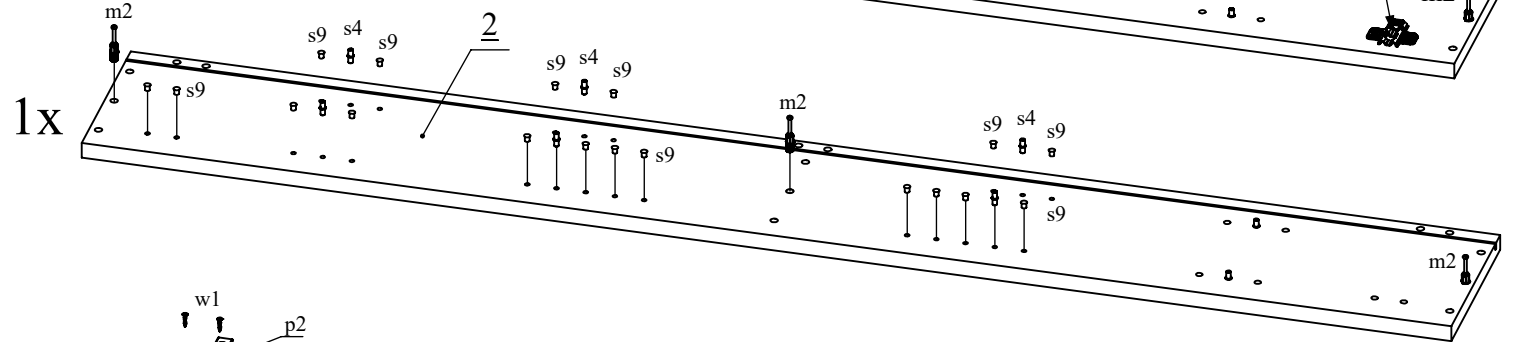
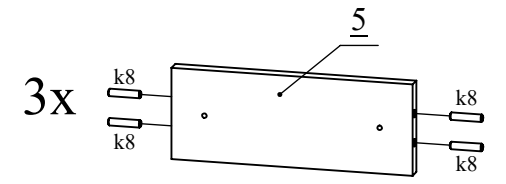
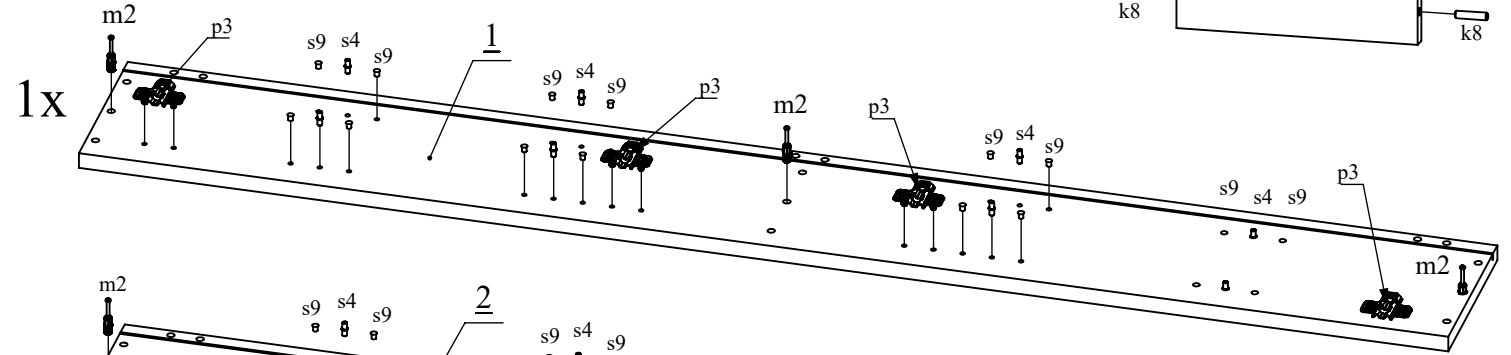


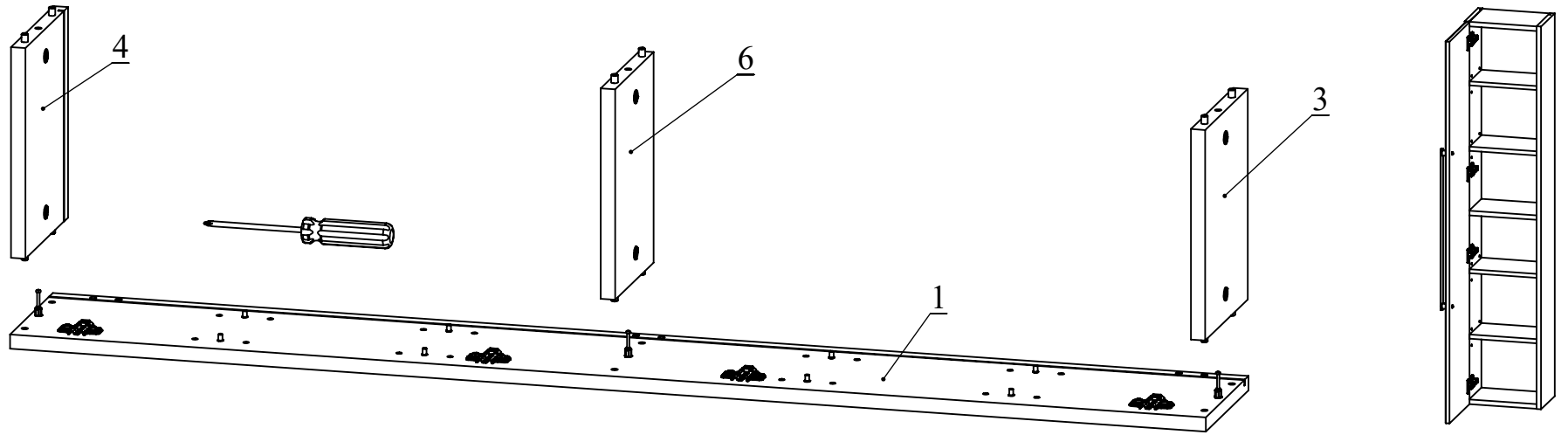
		1x			2x			2x
	4x		4x		2x			
	p2		p3		a1			w4
	2x		40x		6x			
	s1		s9		m2			w1
					6x			
					m1			s4



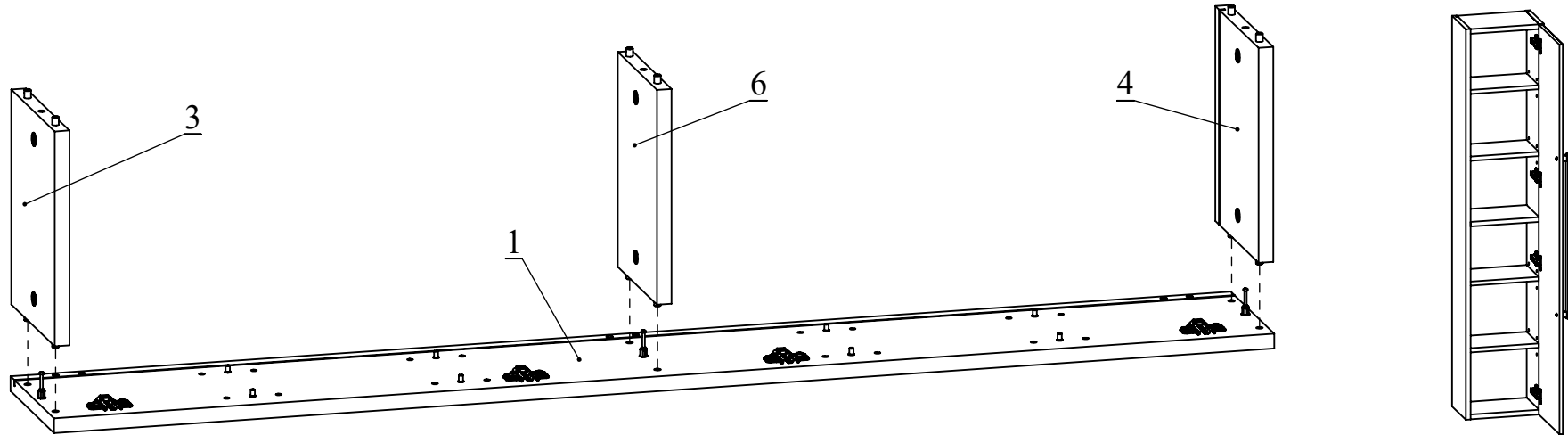
1



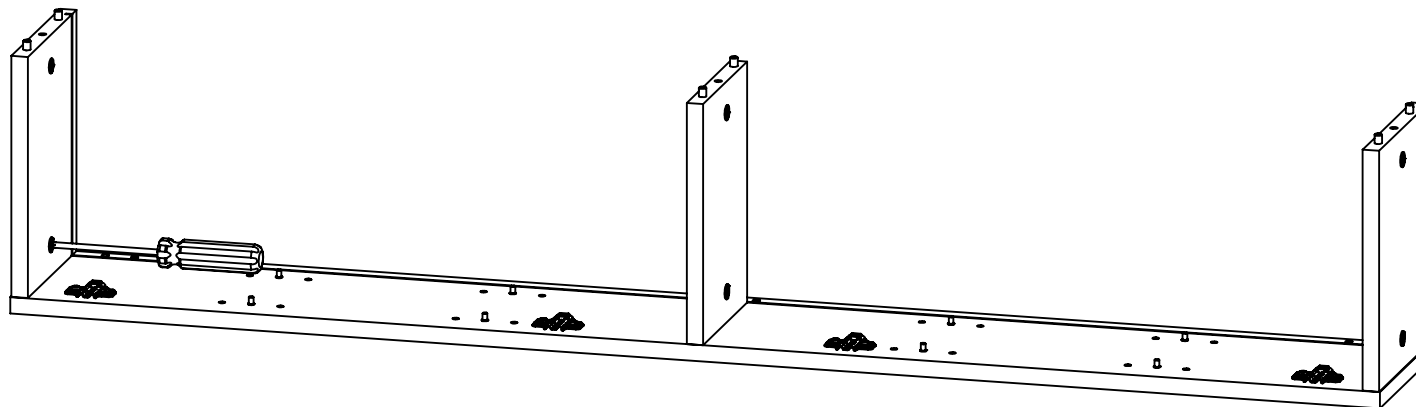
2a



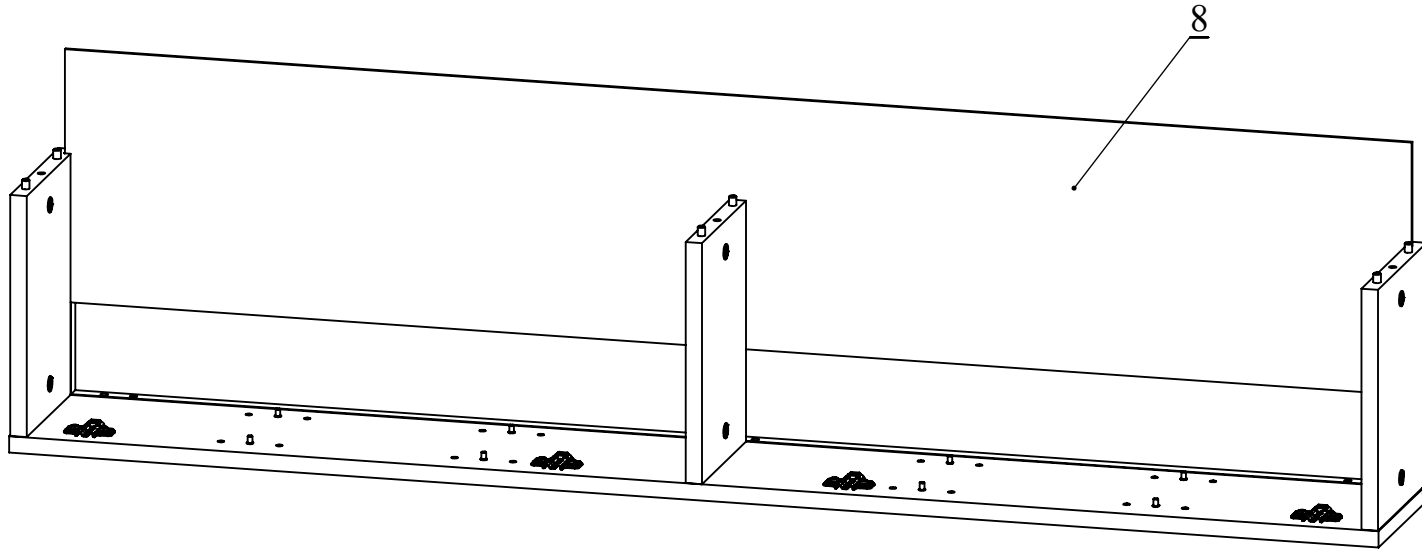
2b



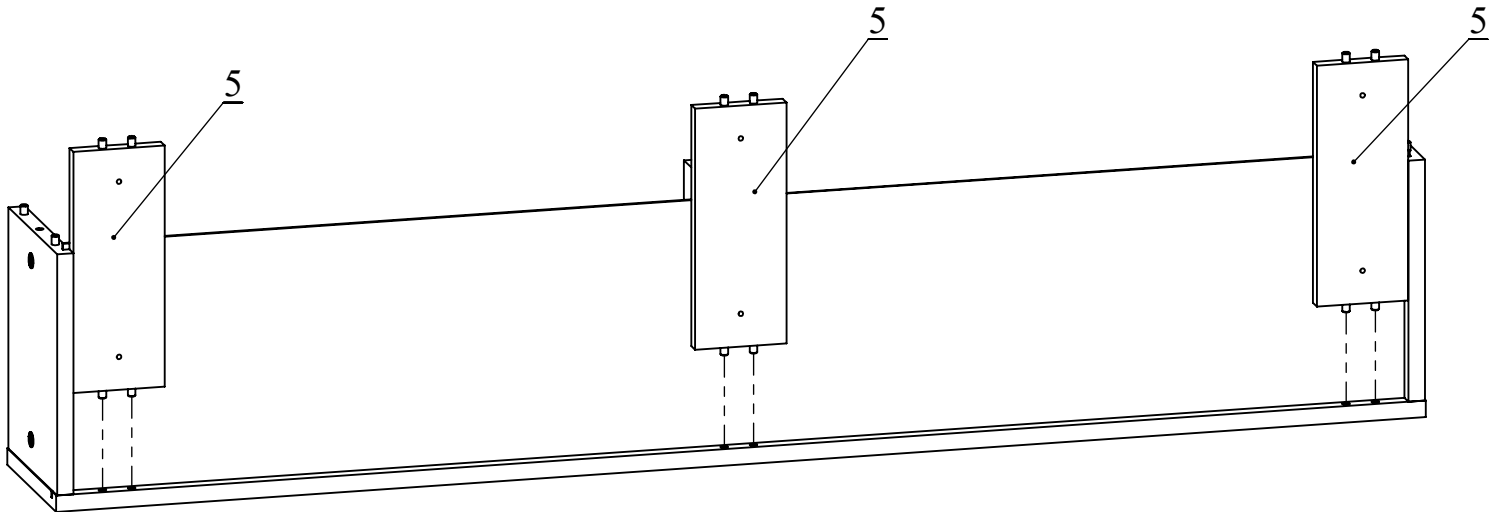
3



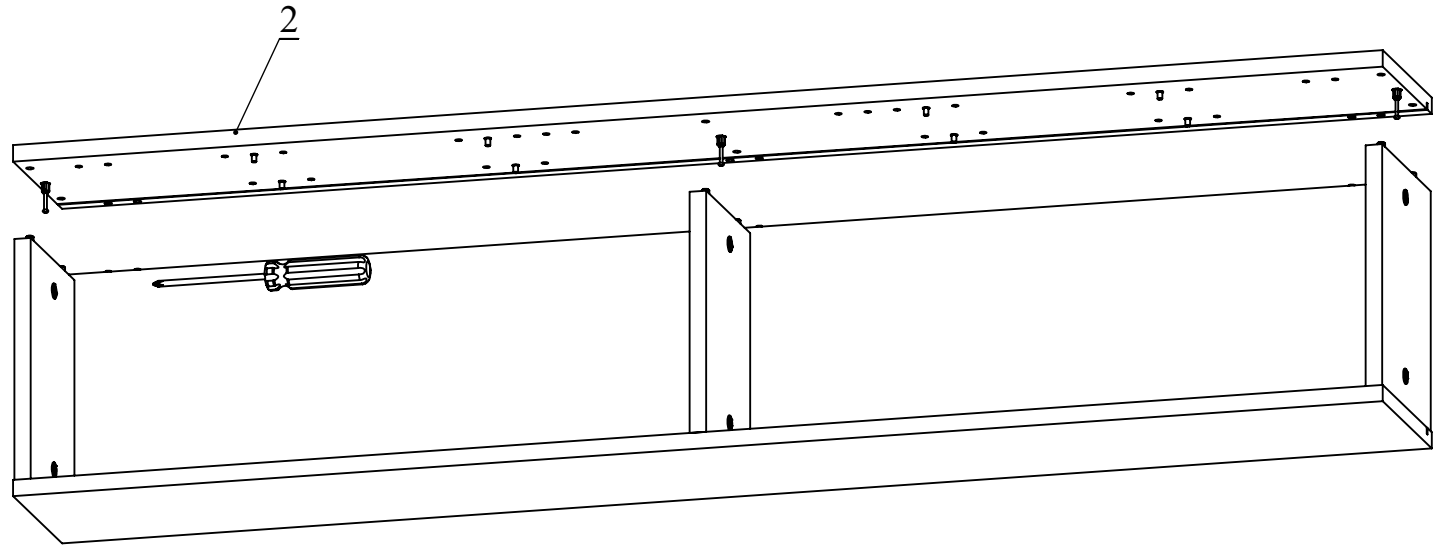
4



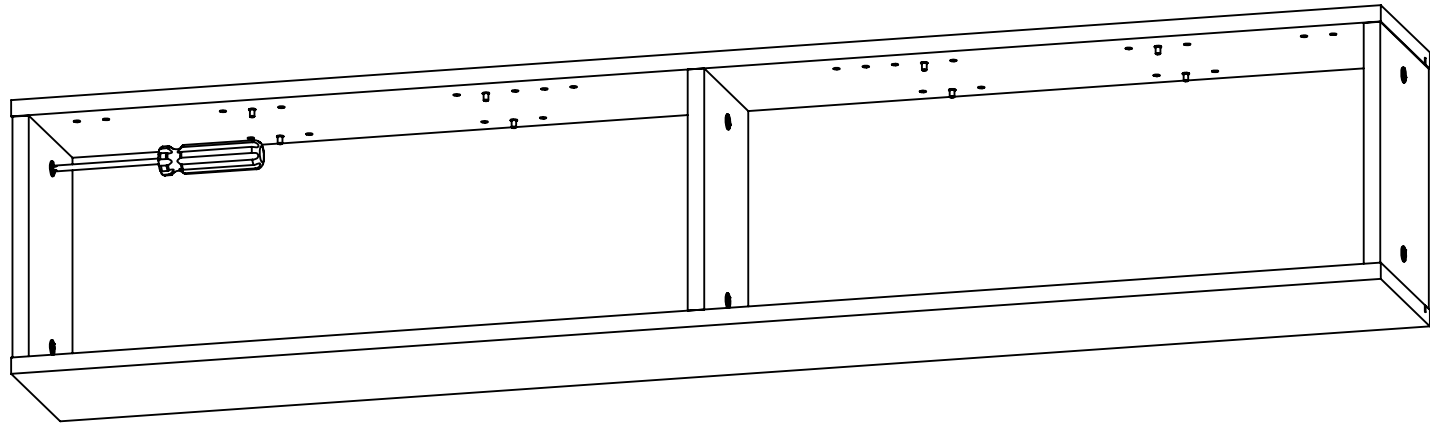
5



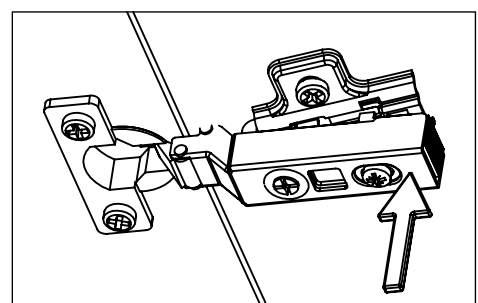
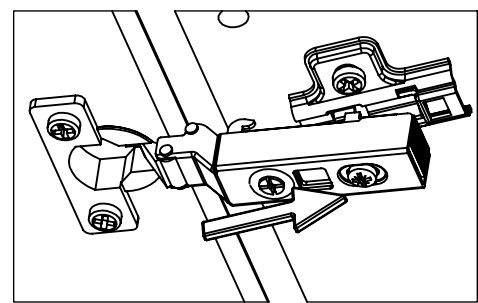
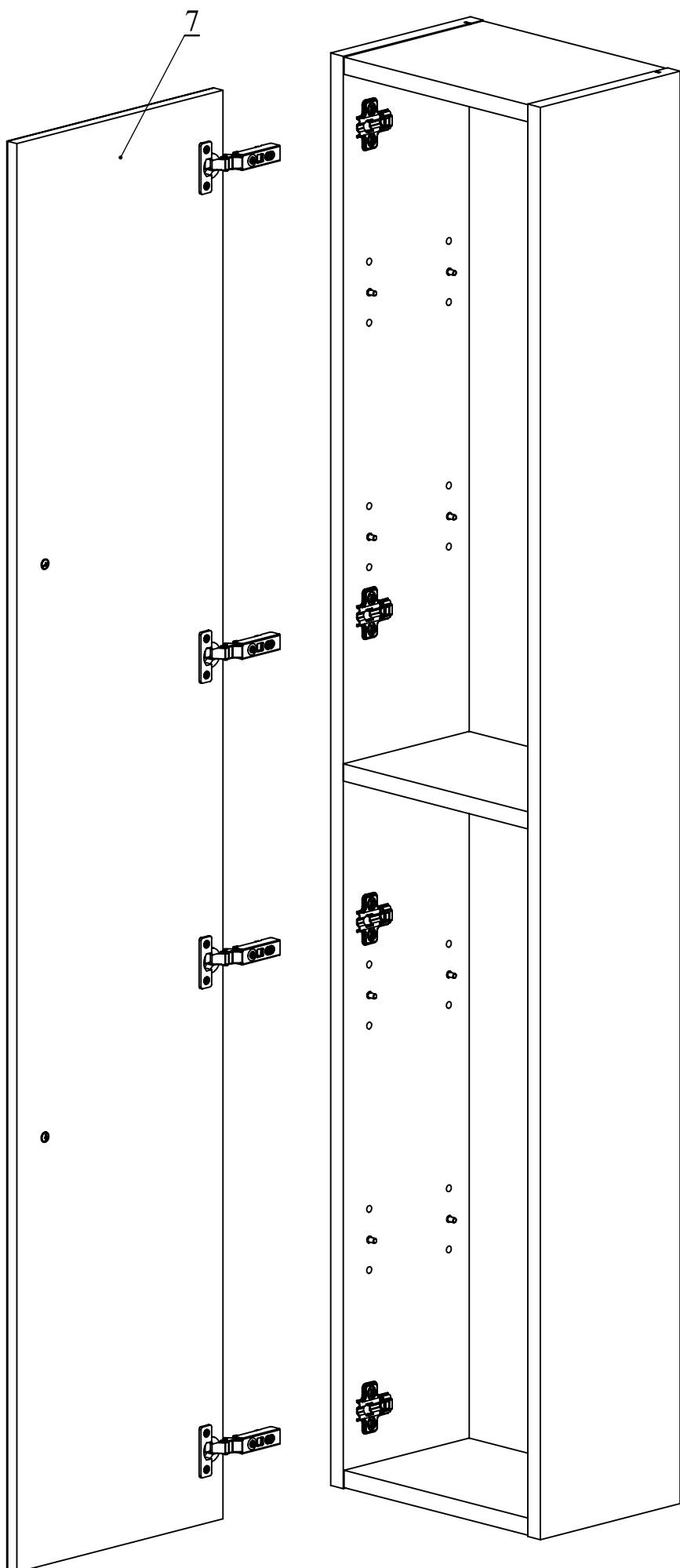
6



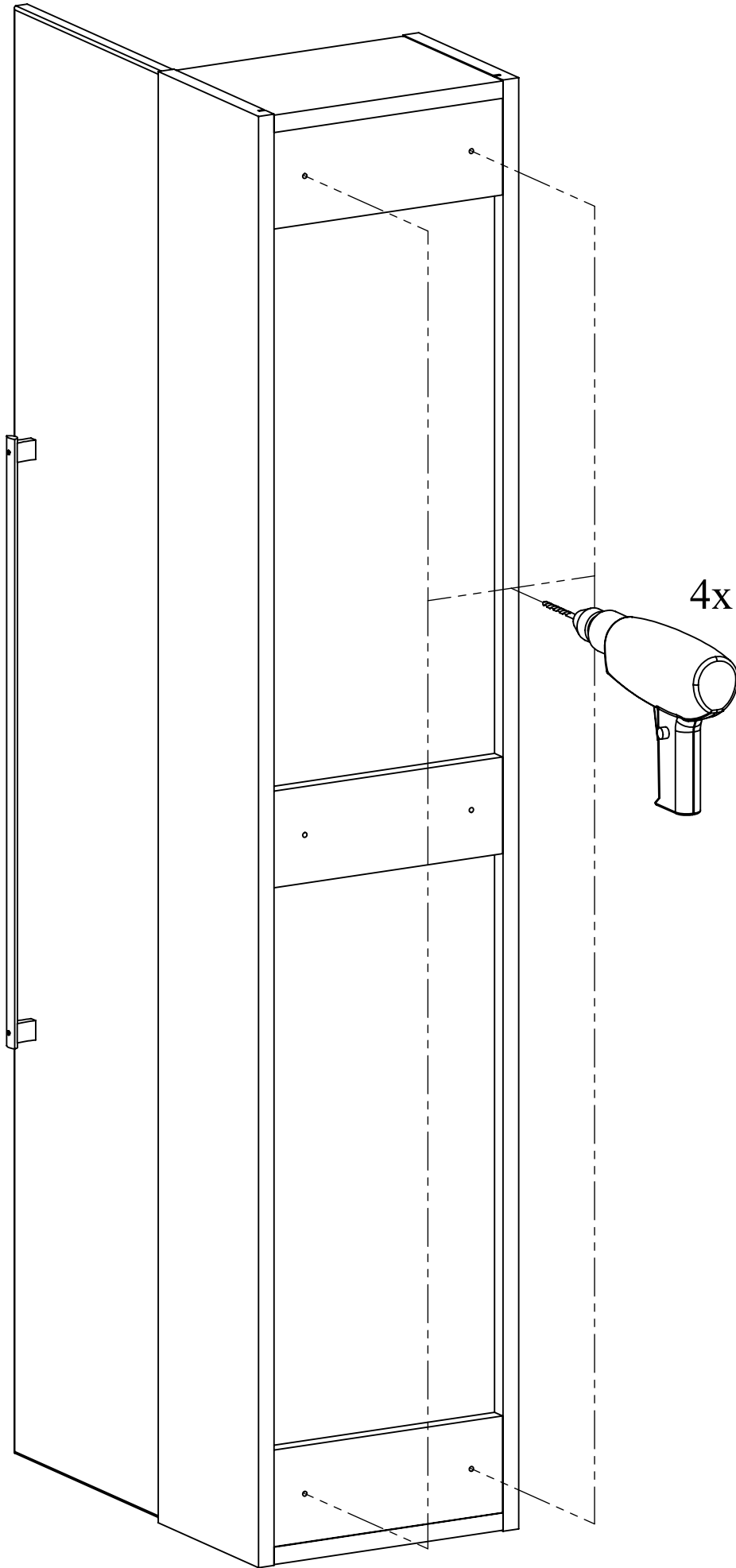
7



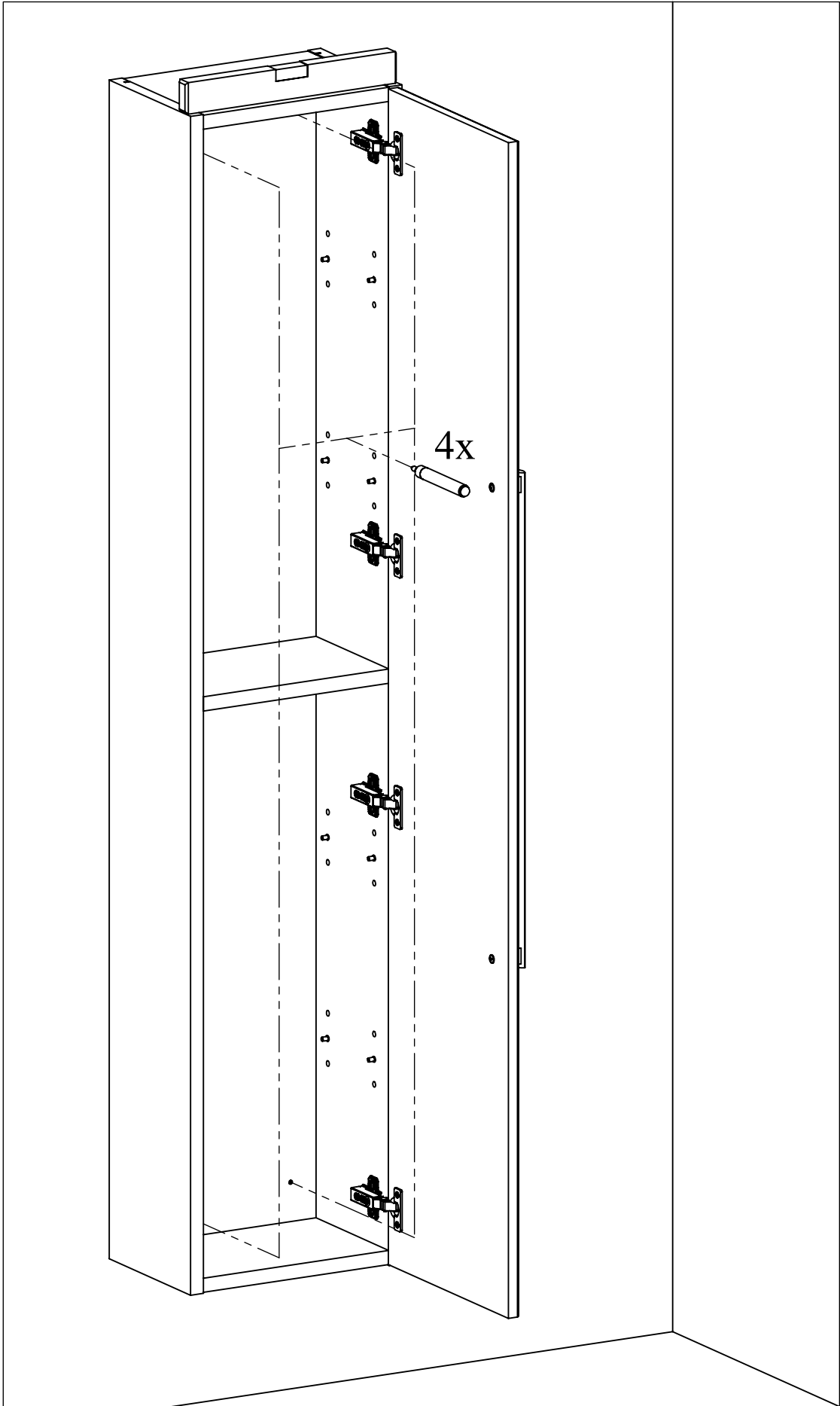
8



9

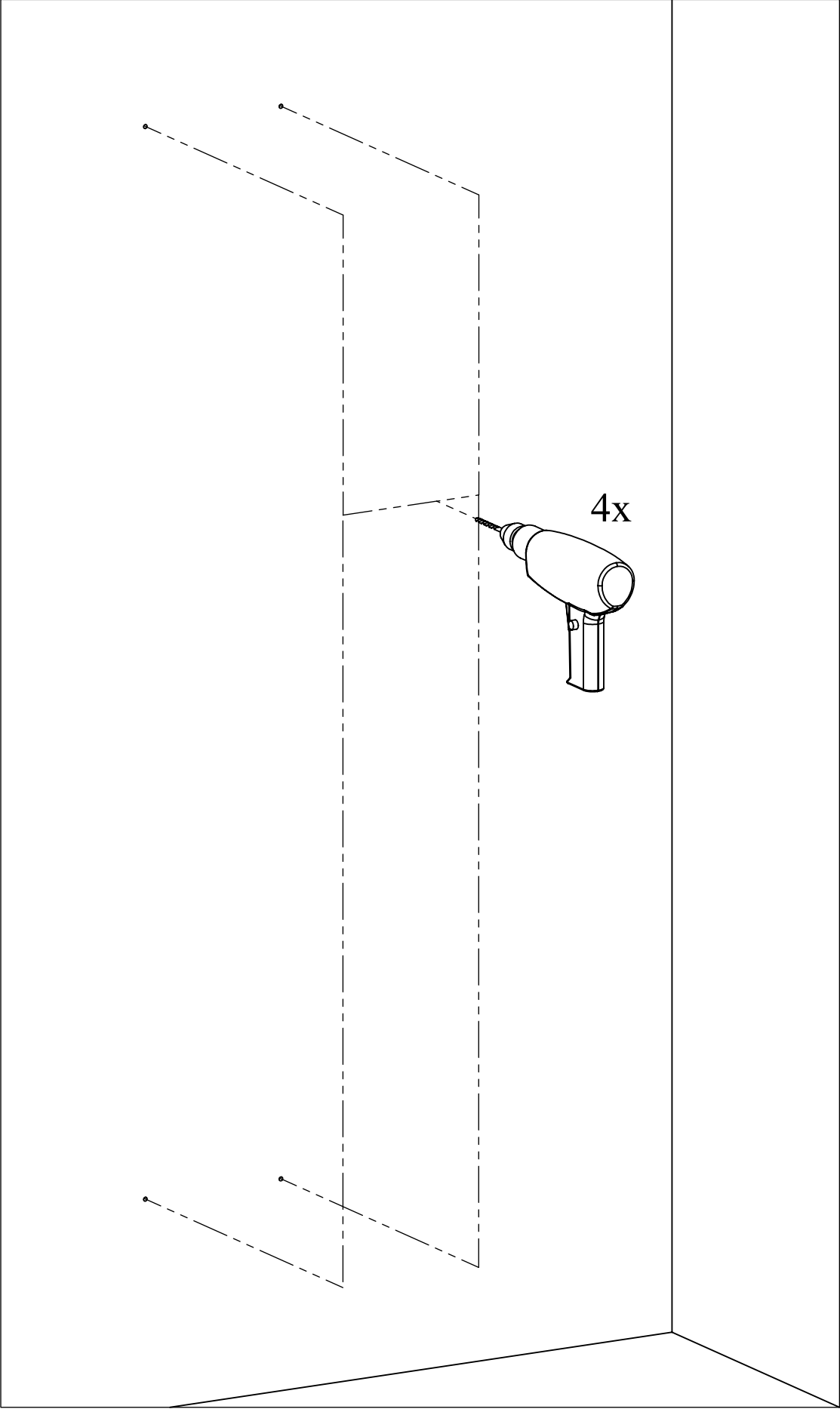


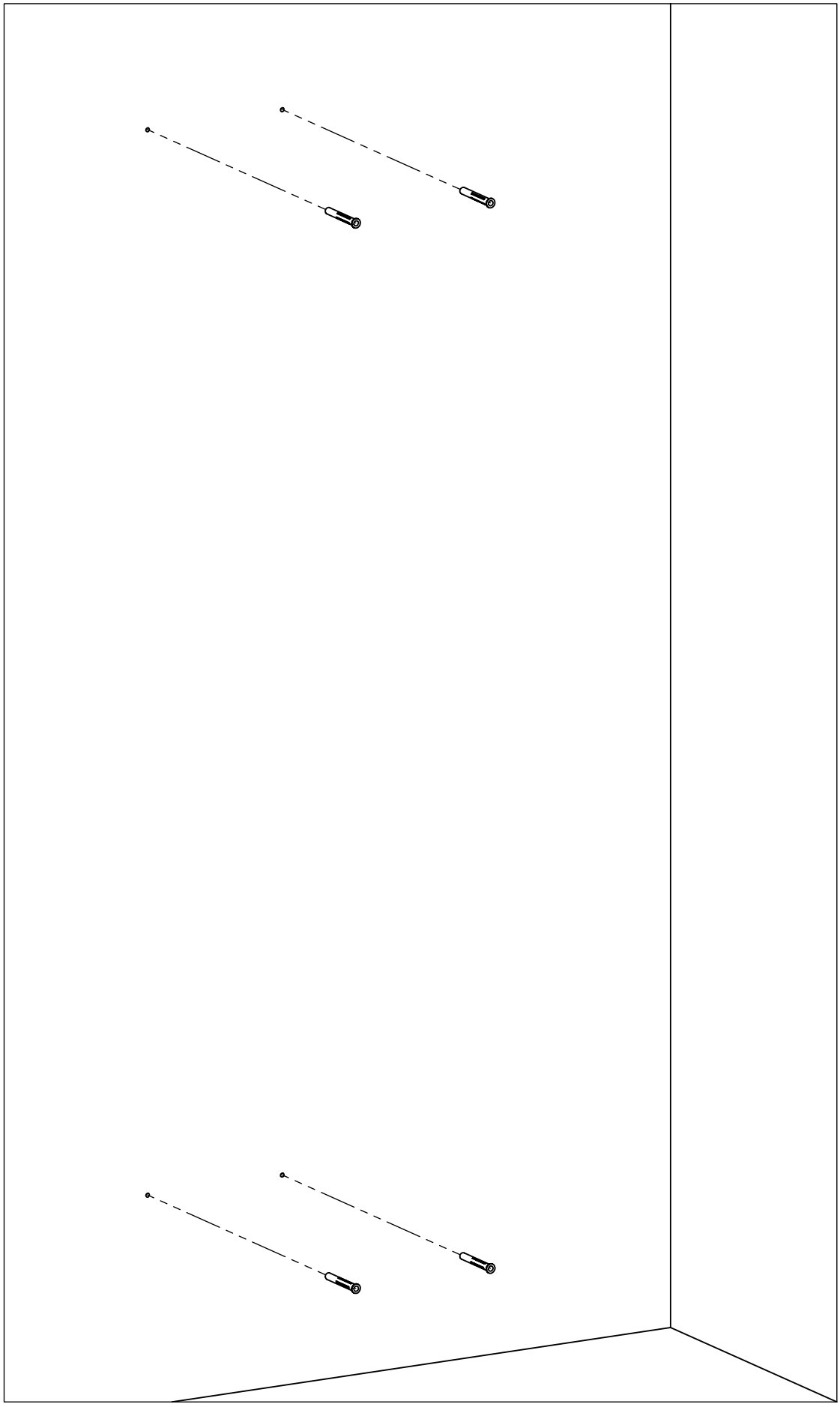
10





11





13

