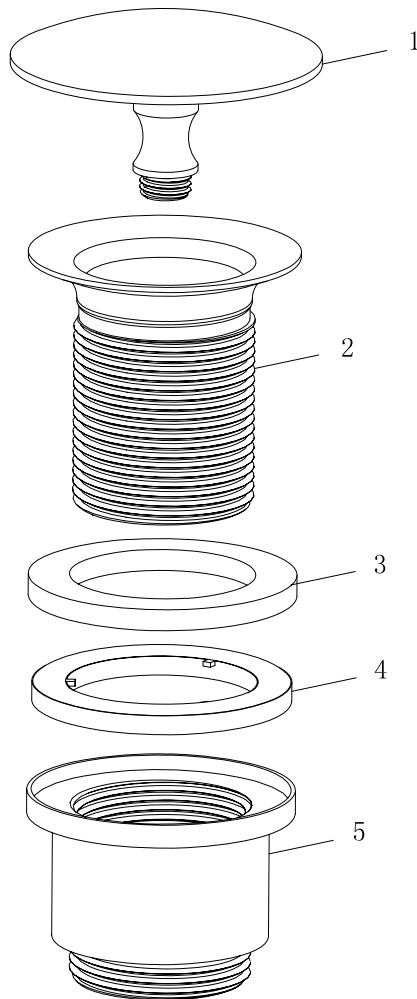
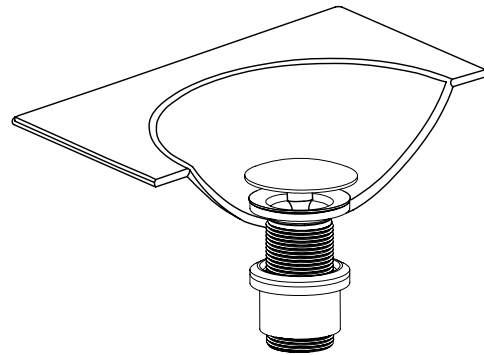
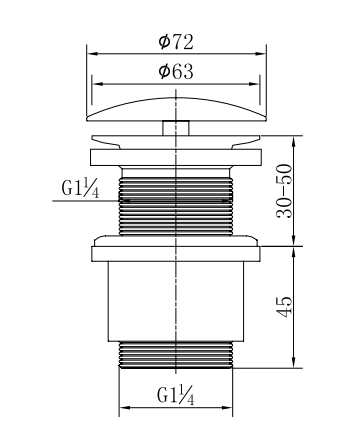




DANSANI®



REF	A85	00
1	Top	1
2	Waste	1
3	Foam	1
4	Rubber	1
5	Adaptor	1
NO.	NAME	QTY

Dansani A/S
 Finlandsvej 8
 DK-6100 Haderslev
 Tel.: +45 73 22 29 00
 Mail: mail@dansani.dk

www.dansani.com www.scanbad.com



No. 1088 A4 150209 Rev. 01