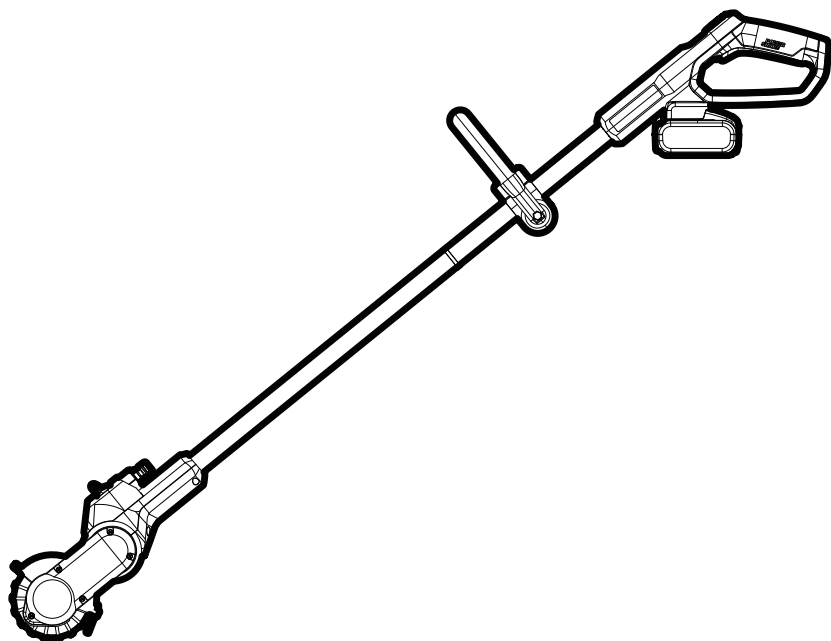


# **WORX**



## **SAFETY AND OPERATING MANUAL**

### **ORIGINAL INSTRUCTIONS**

**Patio-Brush**

**WG441E WG441E.X**



## **PRODUCT SAFETY GENERAL SAFETY WARNINGS**



**WARNING: Read all safety warnings and all instructions.** *Failure to follow the warnings and instructions may result in electric shock, fire and/or serious injury.*

**Save all warnings and instructions for future reference.**

This appliance can be used by children aged from 8 years and above and persons with reduced physical, sensory or mental capabilities or lack of experience and knowledge if they have been given supervision or instruction concerning use of the appliance in a safe way and understand the hazards involved. Children shall not play with the appliance. Cleaning and user maintenance shall not be made by children without supervision.

The appliance is only to be used with the power supply unit provided with the appliance.

### **POWER-DRIVEN BRUSH SAFETY WARNINGS**

1. Brushes should not be mounted on machines

having a speed in excess of the maximum permissible brush speed.

2. Damaged brushes should not be used.
3. Rust discoloration or other signs of chemical or mechanical changes of the fill material may cause premature failure.
4. Brushes should be stored in suitable racks, containers or boxes in such a manner that they are protected against the effects of:
  - a) High Humidity, heat, water or other liquids which might cause damage to the brush.
  - b) Exposure to acids, or fumes from acids, which might induce deterioration.
  - c) Any temperature low enough to cause condensation on the brush when removed from storage to an area of higher temperature.
  - d) Distortion of any of the brush components.

### **SAFETY WARNINGS FOR BATTERY PACK**

- a) **Do not dismantle, open or shred cells or battery pack.**
- b) **Do not short-circuit a battery pack. Do not**

**store battery packs haphazardly in a box or drawer where they may short-circuit each other or be short-circuited by conductive materials.**





When battery pack is not in use, keep it away from other metal objects, like paper clips, coins, keys, nails, screws or other small metal objects, that can make a connection from one terminal to another. Shorting the battery terminals together may cause burns or a fire.

- c) Do not expose battery pack to heat or fire. Avoid storage in direct sunlight.**
- d) Do not subject battery pack to mechanical shock.**
- e) In the event of battery leaking, do not allow the liquid to come into contact with the skin or eyes. If contact has been made, wash the affected area with copious amounts of water and seek medical advice.**
- f) Seek medical advice immediately if a cell or battery pack has been swallowed.**
- g) Keep battery pack clean and dry.**

**h) Wipe the battery pack terminals with a clean dry cloth if they become dirty.**

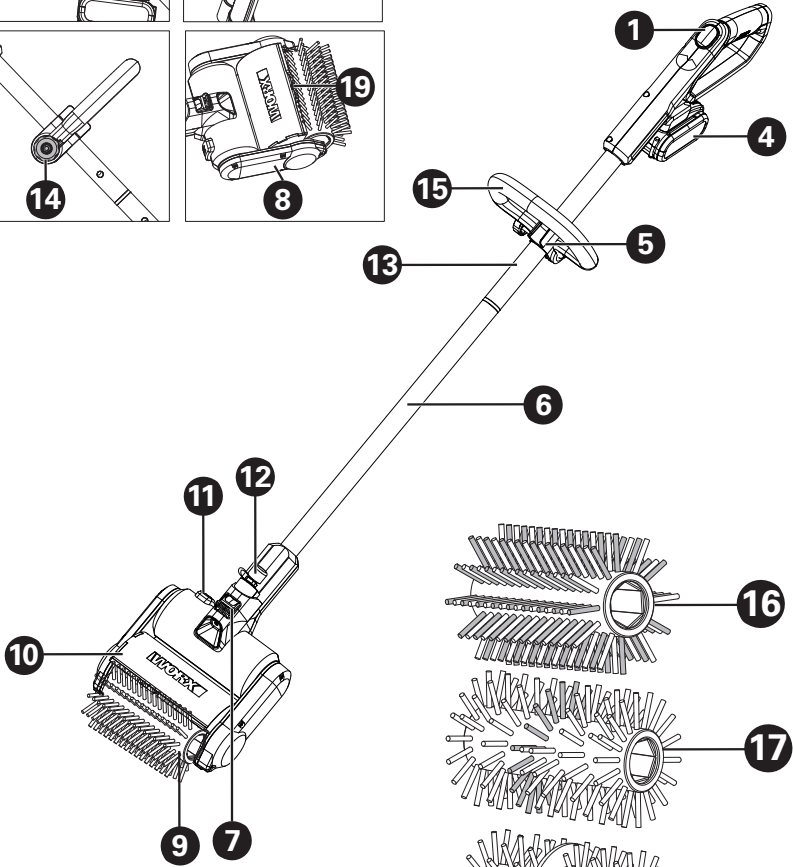
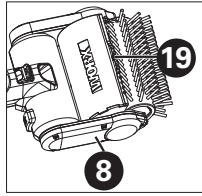
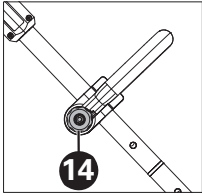
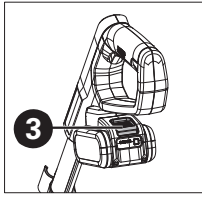
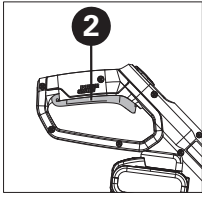
- i) Battery pack needs to be charged before use. Always refer to this instruction and use the correct charging procedure.**
- j) Do not maintain battery pack on charge when not in use.**
- k) After extended periods of storage, it may be necessary to charge and discharge the battery pack several times to obtain maximum performance.**
- l) Recharge only with the charger specified by Worx. Do not use any charger other than that specifically provided for use with the equipment.**
- m) Do not use any battery pack which is not designed for use with the equipment.**
- n) Keep battery pack out of the reach of children.**
- o) Retain the original product literature for future reference.**
- p) Remove the battery from the equipment when not in use.**

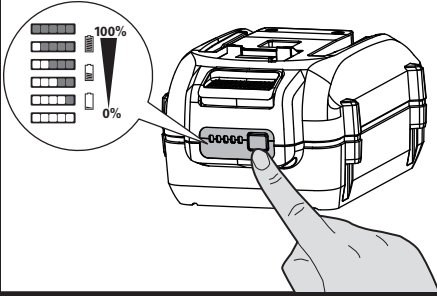
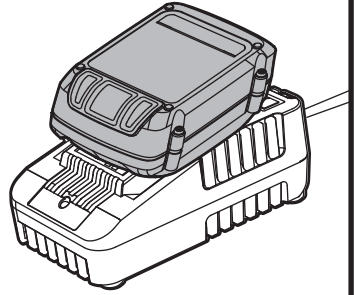
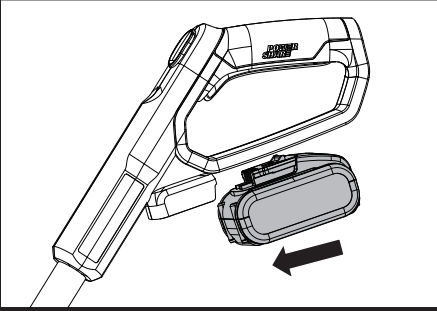
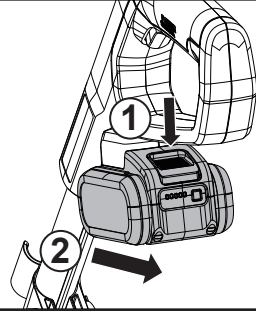
- q) Dispose of properly.**
- r) Do not mix cells of different manufacture, capacity, size or type within a device.**
- s) Do not remove battery pack from its original packaging until required for use.**
- t) Observe the plus (+) and minus (-) marks on the battery and ensure correct use.**

	<p>Li-Ion battery. This product has been marked with a symbol relating to 'separate collection' for all battery packs and battery pack. It will then be recycled or dismantled in order to reduce the impact on the environment. Battery packs can be hazardous for the environment and for human health since they contain hazardous substances.</p>
	<p>Do not burn</p>
	<p>Lock</p>
	<p>Batteries may enter water cycle if disposed improperly, which can be hazardous for ecosystem. Do not dispose of waste batteries as unsorted municipal waste.</p>

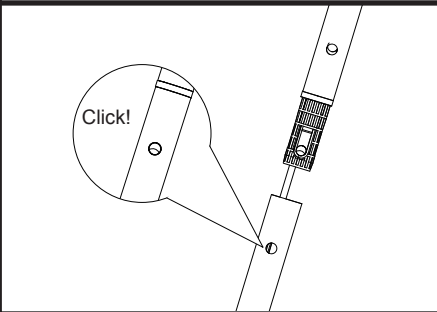
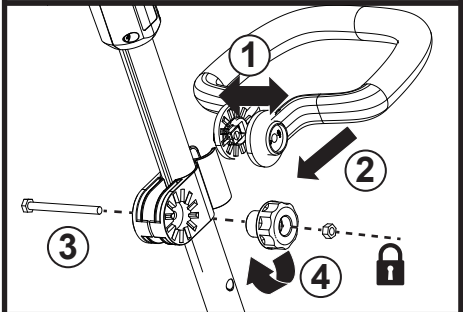
## SYMBOLS

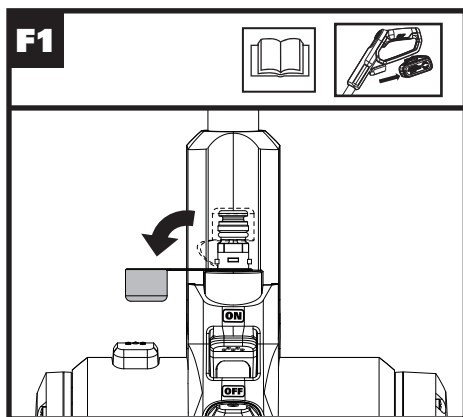
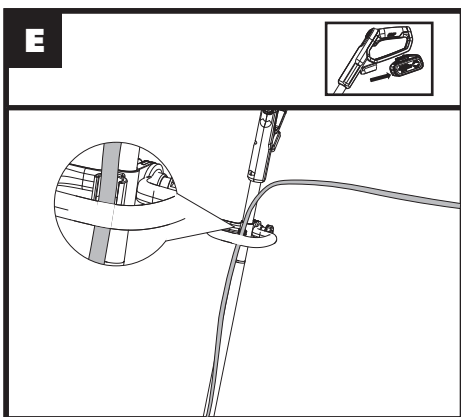
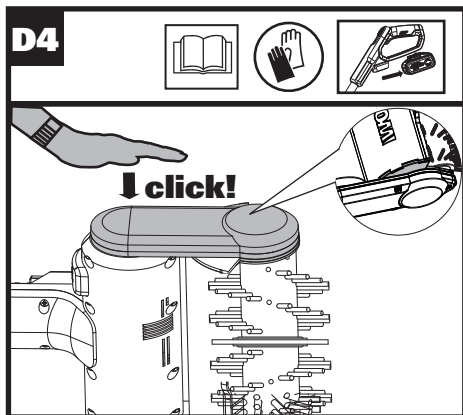
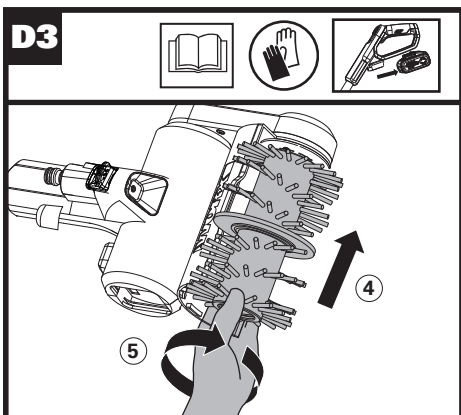
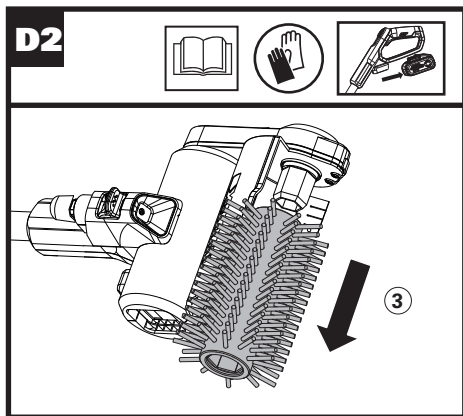
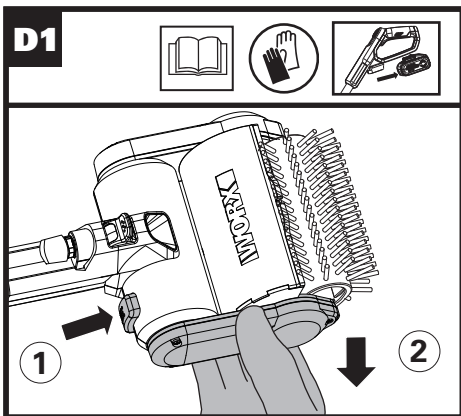
	<p>Read the operator's manual</p>
	<p>Warning</p>
	<p>Wear eye protection</p>
	<p>Do not expose to rain</p>
	<p>Waste electrical products must not be disposed of with household waste. Please recycle where facilities exist. Check with your local authorities or retailer for recycling advice.</p>
	<p>Wear protective gloves.</p>
	<p>Remove battery from the socket before carrying out any adjustment, servicing or maintenance.</p>



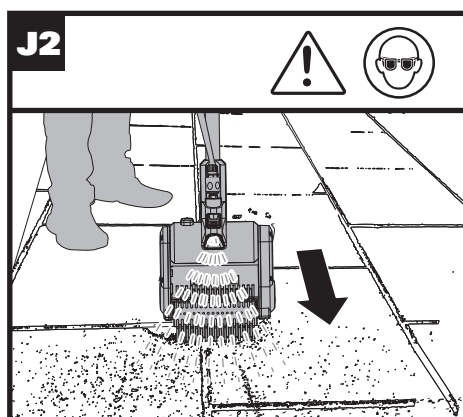
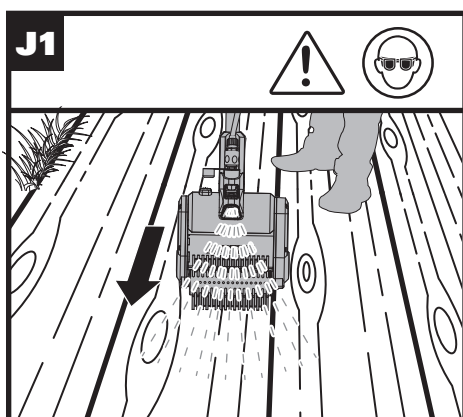
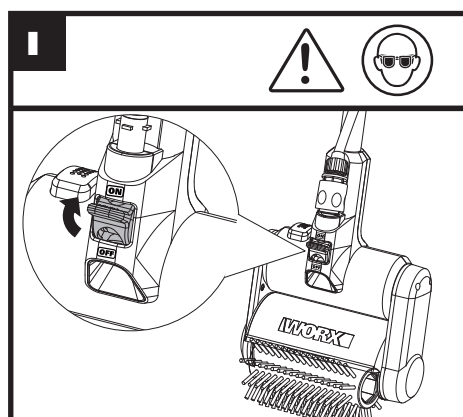
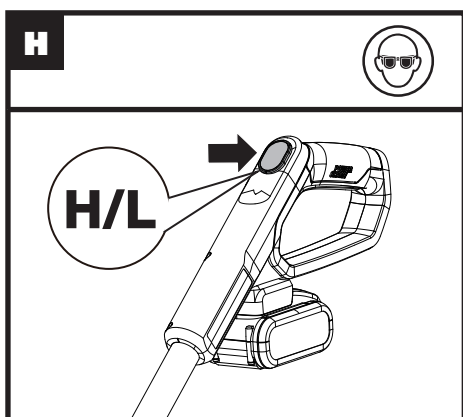
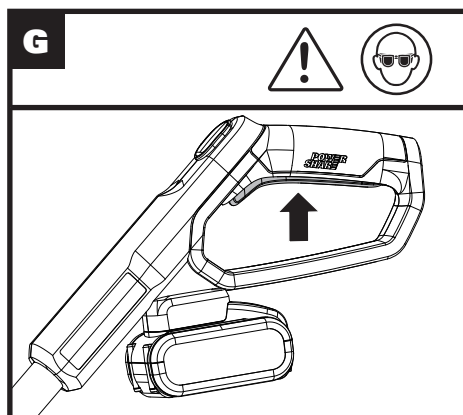
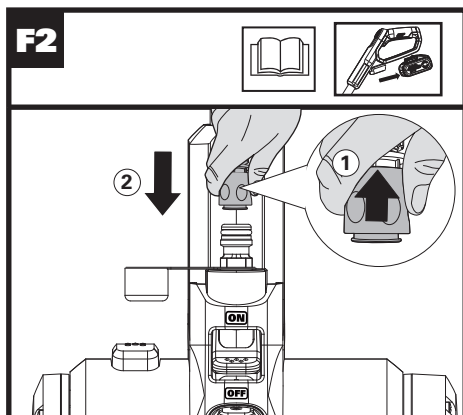
**A1****A2****A3****A4**

7

**B****C****Patio-Brush****WG441E WG441E.X**

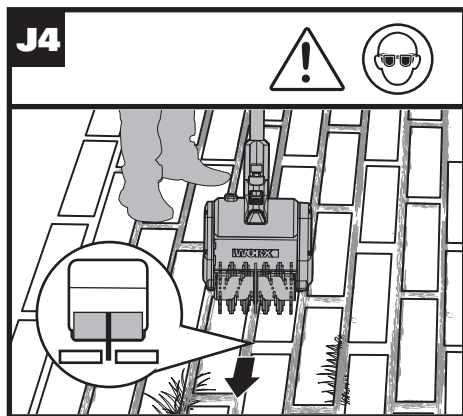
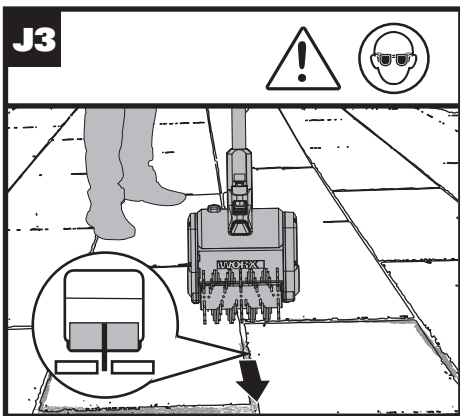






**Patio-Brush**

**WG441E WG441E.X**



## COMPONENT LIST

<b>1. SPEED CONTROL BUTTON</b>
<b>2. ON/OFF SWITCH</b>
<b>3. BATTERY PACK RELEASE BUTTON *</b>
<b>4. BATTERY PACK *</b>
<b>5. HOSE RETAINING CLIP</b>
<b>6. LOWER SHAFT</b>
<b>7. WATER SUPPLY SWITCH</b>
<b>8. DRIVE ARM (REMOVABLE)</b>
<b>9. HARD NYLON BRISTLES (WA0291)</b>
<b>10. SAFETY GUARD</b>
<b>11. BRUSH COVER LOCKING BUTTON</b>
<b>12. HOSE ADAPTOR</b>
<b>13. UPPER SHAFT</b>
<b>14. HANDLE LOCKING KNOB</b>
<b>15. AUXILIARY HANDLE</b>
<b>16. SOFT NYLON BRISTLES (WA0290) *</b>
<b>17. HARD NYLON JOINT CLEANING BRUSH (WA0292) *</b>
<b>18. METAL / HARD NYLON JOINT CLEANING BRUSH (WA0293)</b>
<b>19. JOINT ALIGNMENT MARK</b>

**\* Not all the accessories illustrated or described are included in standard delivery.**

## TECHNICAL DATA

Type Designation **WG441E WG441E.X (441-designation of machinery, representative of Battery-operated brush)**

	<b>WG441E WG441E.X **</b>
Rated voltage	20 V $\equiv$ Max.***
Max. No-load speed	700 /min
Water pressure	0.6 MPa
Rotational speed	H:700 /min; L:500 /min
Machine weight (bare tool)	2.9 kg

\*\* X=1-999,A-Z,M1-M9 there are only used for different customers, there are no safe relevant changes between these models.

\*\*\* Voltage measured without workload. Initial battery voltage reaches maximum of 20 volts. Nominal voltage is 18 volts.

<b>Category</b>	<b>Type</b>	<b>Capacity</b>
20V Battery	WA3014	4.0Ah
20V Charger	WA3880	2.0A

We recommend that you purchase your accessories listed in the above list from the same store that sold you the tool. Refer to the accessory packaging for further details. Store personnel can assist you and offer advice.

## NOISE INFORMATION

A weighted sound pressure	$L_{pA} = 65.2 \text{ dB(A)}$
$K_{pA}$	3.0 dB(A)
A weighted sound power	$L_{WA} = 78.61 \text{ dB(A)}$
$K_{WA}$	3.0 dB(A)

11

## VIBRATION INFORMATION

Vibration emission value	$a_h < 2.5 \text{ m/s}^2$
Uncertainty	$K = 1.5 \text{ m/s}^2$

# OPERATION INSTRUCTIONS





**NOTE:** Read instruction handbook before operation this machine.

## INTENDED USE

The device is intended as a handhold cleaning and maintenance device.

# ASSEMBLY AND OPERATION

ACTION	FIGURE
<b>BEFORE OPERATION</b>	
Checking the battery charge condition <b>NOTE:</b> Fig. A1 only applies for the battery pack with battery indicator light.	See Fig. A1
Charging the battery pack More details can be found in charger's manual	See Fig. A2
Installing the battery pack	See Fig. A3
Removing the battery pack	See Fig. A4
<b>ASSEMBLY</b>	
Assembling the shaft	See Fig. B
Assembling the auxiliary handle	See Fig. C
Replacing the brush <b>NOTE:</b> Choose a suitable brush according to your work. See more details in the <b>ACCESSORIES</b> section.	See Fig. D1-D4
Using the hose retaining clip	See Fig. E
Attaching the garden hose to the brush <b>NOTE:</b> After the garden hose is attached, check the connection by gently pulling upon the garden hose. It should not be pulled off.	See Fig. F1, F2
<b>OPERATION</b>	
Starting  <b>WARNING! Do not start or operate the machine if others are in the area! Never lift the device off the ground during operation, as there is danger of entanglement !</b>	See Fig. G
Adjusting the speed	See Fig. H
Water supply  <b>WARNING! Do not connect the machine to water supplies that are dirty, rusty, muddy, or corrosive.</b>	See Fig. I

## Cleaning



**WARNING: Make sure that the surface to be cleaned is free from debris e.g. stones, screws etc., which could be flung up. Never put your hands or feet near to the rotating brushing equipment!**

Cleaning with Soft nylon bristles	See Fig. J1
Cleaning with Hard nylon bristles	See Fig. J2
Cleaning with Hard nylon joint cleaning brush <b>NOTE: Make sure the joint brush is aligned with the centre of the joint by using the joint alignment mark.</b>	See Fig. J3
Cleaning with Metal / hard nylon joint cleaning brush	See Fig. J4


# MAINTENANCE

Check if the tool and the brush are in good condition before use. Replace the brush if it wears down to a diameter of  $\varnothing$  approx. 90 mm.

Do not immerse the tool in water. Do not spray or clean it with water. Protect the tool against moisture. Clean the outside of the tool with a damp cloth or soft brush. Do not use abrasives or harsh cleaning agents. Clean the brush in water or with a strong water jet or a hard brush.

Repairs must be carried out by a Worx service point.

# ENVIRONMENTAL PROTECTION

 Waste electrical products should not be disposed of with household waste. Please recycle where facilities exist. Check with your Local Authority or retailer for recycling advice.

# DECLARATION OF CONFORMITY

We,  
Positec Germany GmbH  
Postfach 32 02 16, 50796 Cologne, Germany

On behalf of Positec declare that the product  
Description **Battery-operated multifunctional brush**  
Type **WG441E WG441E.X (441 - designation of machinery, representative of Battery-operated multifunctional brush)**  
Function **Cleaning ground surface**

Complies with the following Directives:  
**2006/42/EC, 2014/30/EU, 2011/65/EU&(EU)2015/863**

Standards conform to  
**EN 60335-1, EN ISO 12100, EN 55014-1, EN 55014-2**

The person authorized to compile the technical file,  
**Name Marcel Filz**  
**Address Positec Germany GmbH**  
**Postfach 32 02 16, 50796 Cologne, Germany**



2020/12/07  
Allen Ding  
Deputy Chief Engineer, Testing & Certification  
Positec Technology (China) Co., Ltd  
18, Dongwang Road, Suzhou Industrial  
Park, Jiangsu 215123, P. R. China

# DECLARATION OF CONFORMITY

We,  
Positec (UK & Ireland) Ltd.  
PO Box 6242, Newbury, RG14 9LT, UK

On behalf of Positec declare that the product  
Description **Battery-operated multifunctional brush**  
Type **WG441E WG441E.X (441 - designation of machinery, representative of Battery-operated multifunctional brush)**  
Function **Cleaning ground surface**

Complies with the following regulations:  
**Supply of Machinery (Safety) Regulations 2008**  
**Electromagnetic Compatibility Regulations 2016**  
**The Restriction of the Use of Certain Hazardous Substances in Electrical and Electronic Equipment Regulations**

Standards conform to  
**BS EN 60335-1,**  
**BS EN ISO 12100,**  
**BS EN 55014-1,**  
**BS EN 55014-2**

The person authorized to compile the technical file,

Name **Jim Kirkwood**  
Address **Positec (UK & Ireland) Ltd.,**  
**PO Box 6242, Newbury, RG14 9LT, UK**

14



2020/12/07  
Allen Ding  
Deputy Chief Engineer, Testing & Certification  
Positec Technology (China) Co., Ltd  
18, Dongwang Road, Suzhou Industrial  
Park, Jiangsu 215123, P. R. China

**Patio-Brush**

**WG441E WG441E.X**





#### **After-sales Service and Application**

At [www.worx.com](http://www.worx.com) you can order spare parts or arrange the collection of a product in need of servicing or repair.

Tel. Service: 0345 202 9679

E-Mail: [customerservices@worxtools.com](mailto:customerservices@worxtools.com)

**[www.worx.com](http://www.worx.com)**

Copyright © 2021, Positec. All Rights Reserved.  
AR01556203